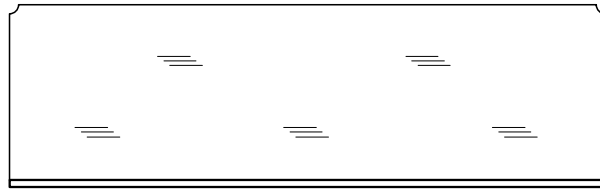


Assembly Instructions

Straight Desk for Ginger Twin/Full Loft Bunk

N&D 0309

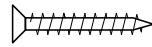
1 Parts and Hardware in this Box



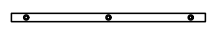
Straight Desk x 1



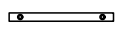
40mm Bolts x 10



32mm Wood Screws x 6



Long Ledger Strip x 2

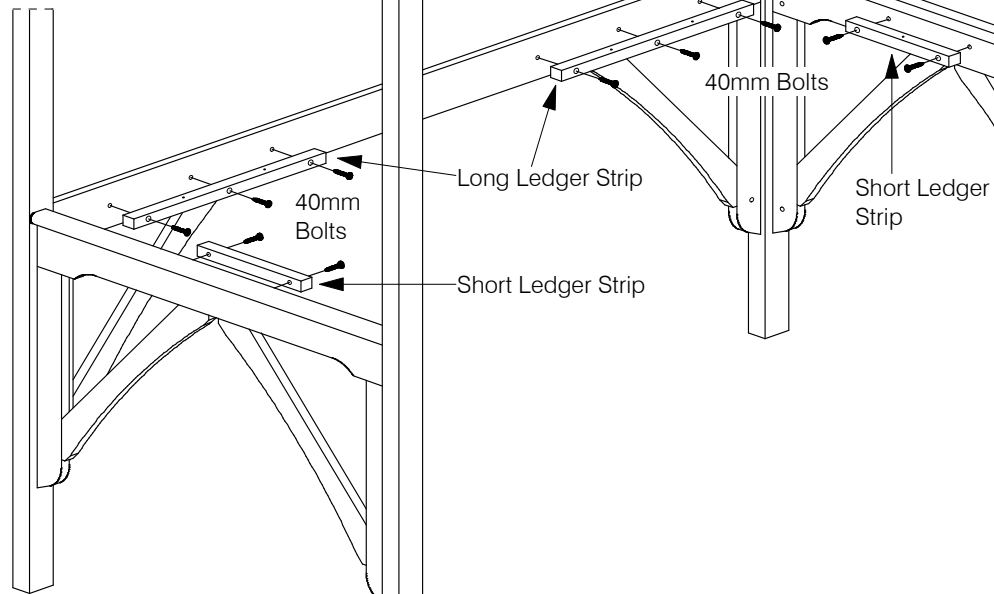


Short Ledger Strip x 2



Long Allen Key x 1

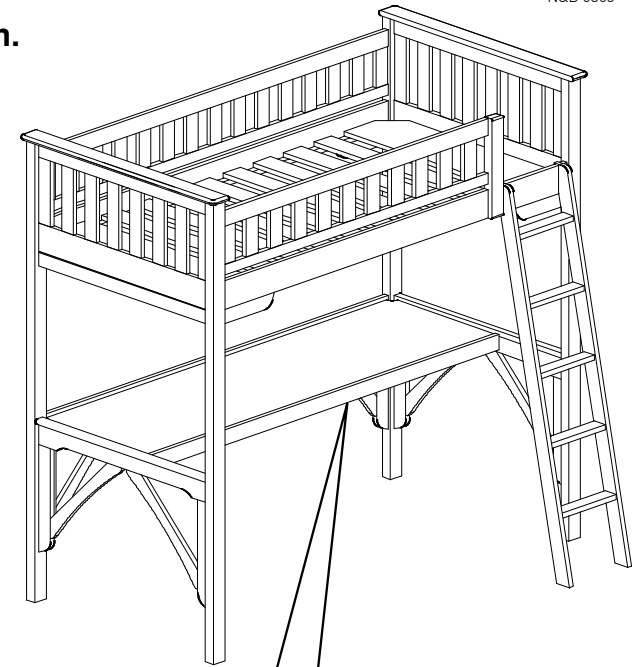
2 Fix the Ledger Strips



3 Screw the Desk on.

Use the 32mm screws from underneath to secure the Desk.

Make sure the bunk bed is square. You may need to push the desk against the rail if it is not quite straight.



NIGHT
FURNITURE
SDAYTM

