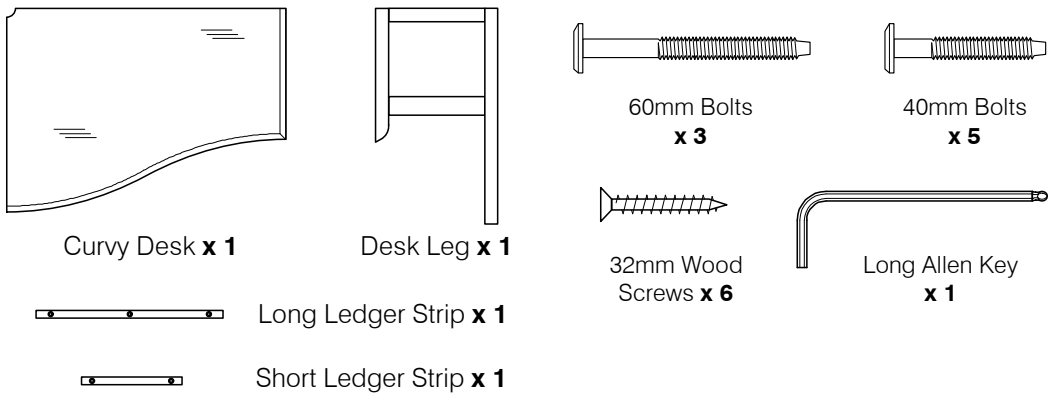


# Assembly Instructions

## Curvy Desk for Ginger Twin Loft Bunk

N&D 0309

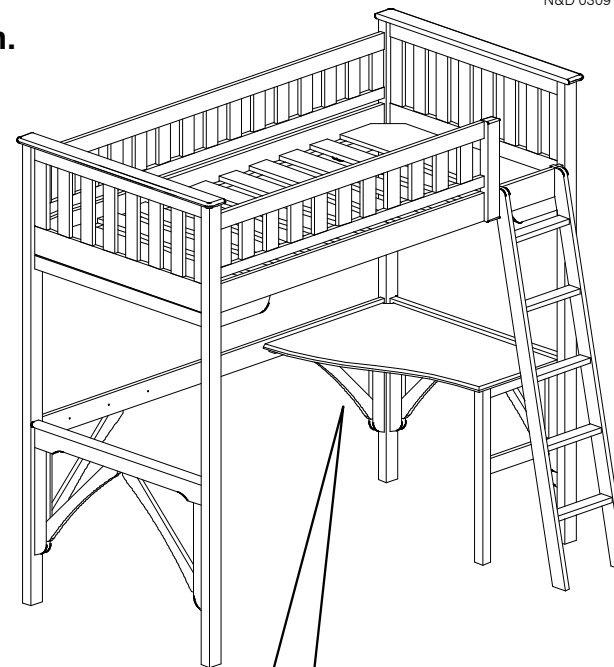
### 1 Parts and Hardware in this Box



### 3 Screw the Desk on.

Use the 32mm screws from underneath to secure the Curvy Desk.

Make sure the bunk bed is square. You may need to push the desk into the corner if the rails are not quite straight.



### 2 Fix the Ledger Strips and the Front Leg.

