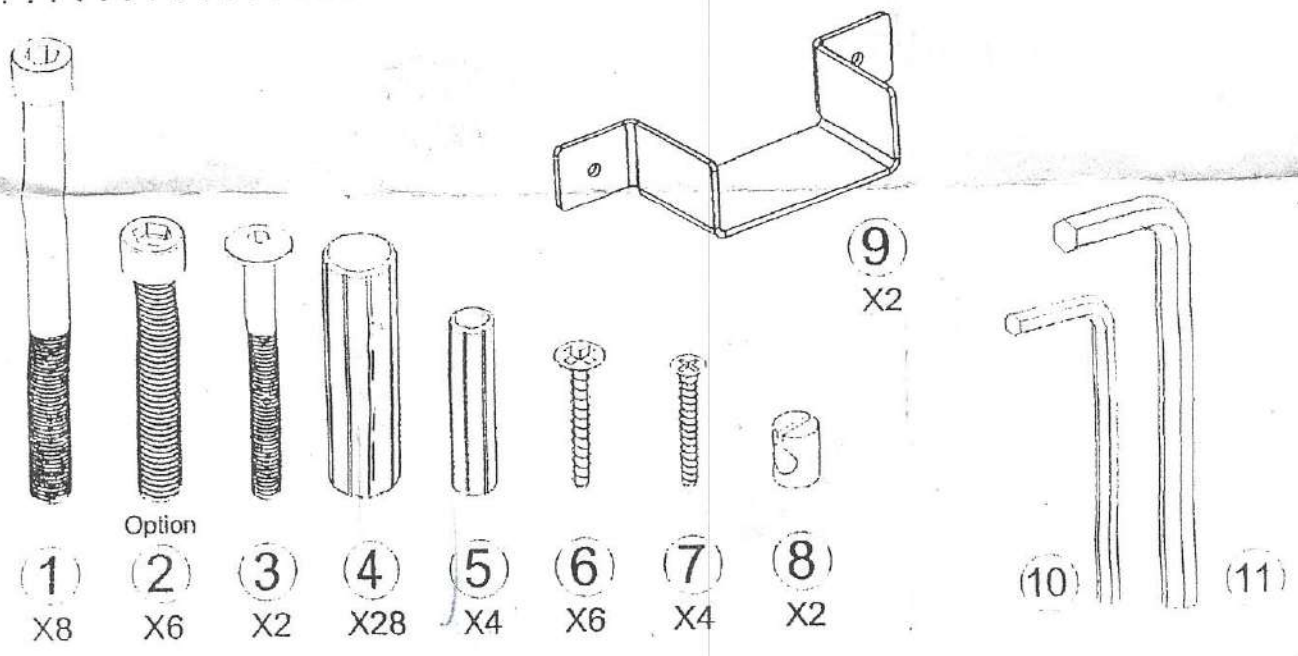
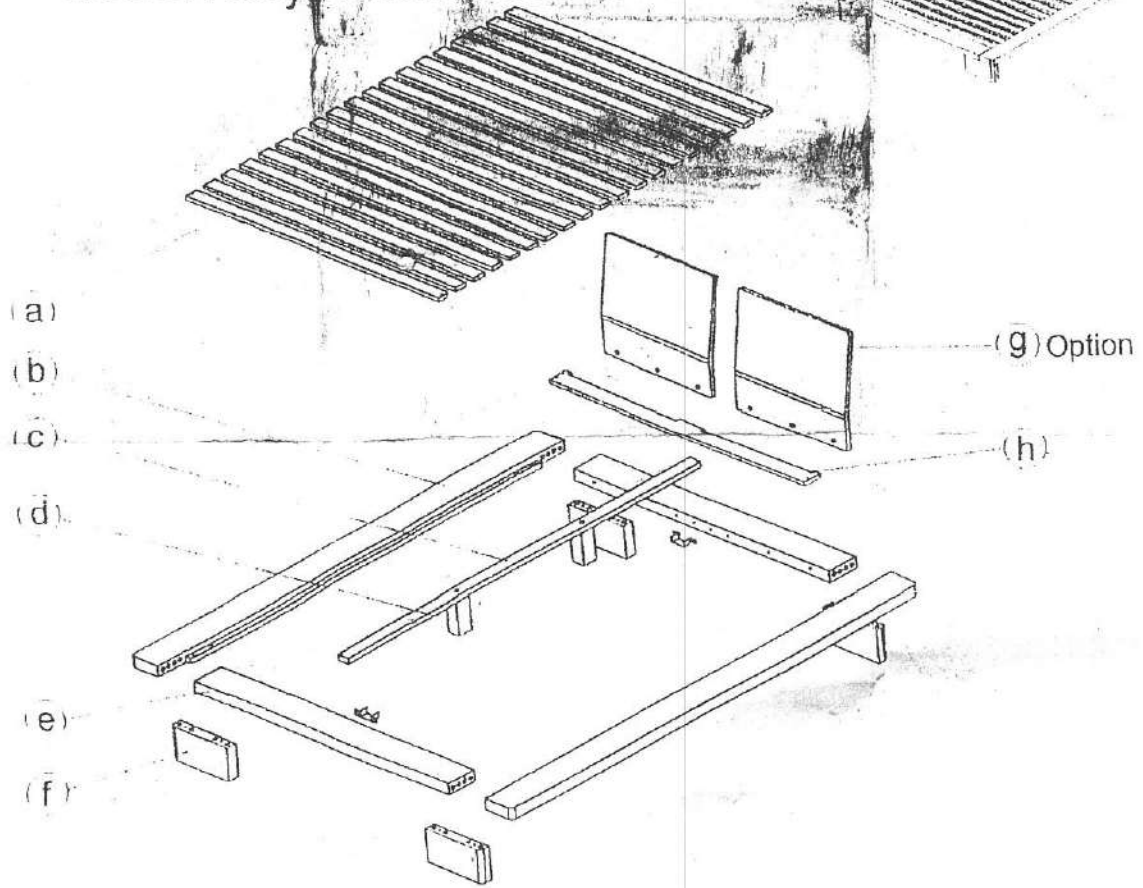
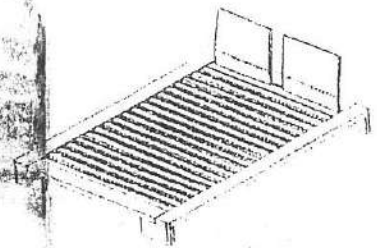


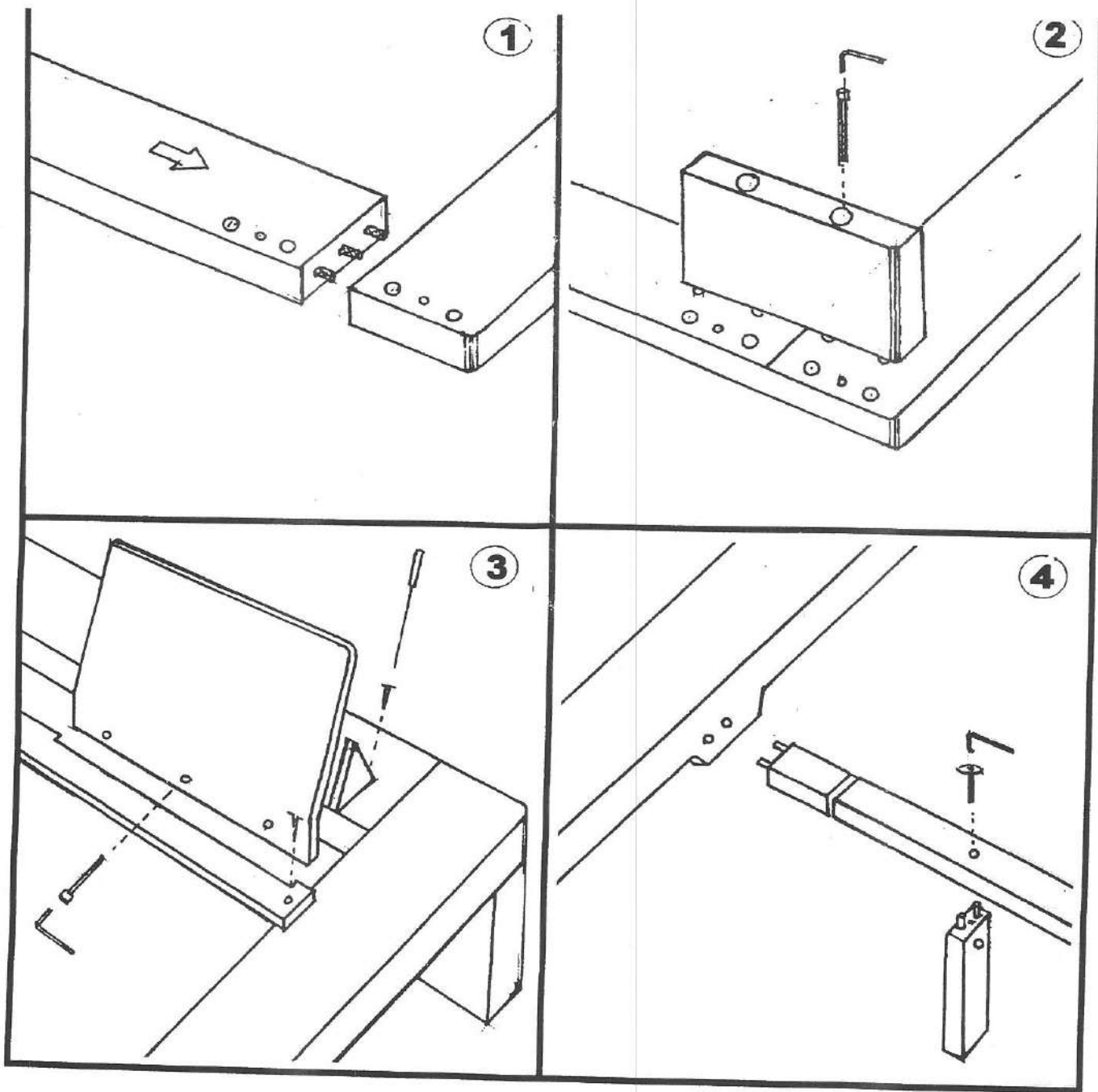
ZEN BED

assembly instructions



2 people to assemble

30 minutes



1. Assemble the long rails section (b) together with short rails section (e), using 3 pieces 16 mm x 45 mm Dowel (4).
2. Assemble the foot part (f) into the long rail and the short rail section, using 4 pieces 16 mm x 45 mm Dowels (4) and install 2 pieces 8 x 100 bolts (1).
3. Attach the headboard (9) to the short rail (e) using 3 pieces 8 x 45 bolts (2), then screw the close slat (h) using 6 x 1.5" screw (6).
4. Assemble the slat support (c) to the short rail (e) using 10 mm x 45 mm Dowels (5). Attach the middle short feet (d) to the slat support (c) using 10 mm x 45 mm Dowels (5), 2 pieces bolts (3) and 2 pieces nuts (8).