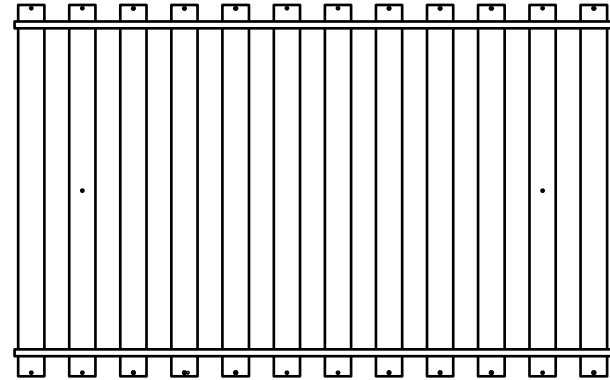
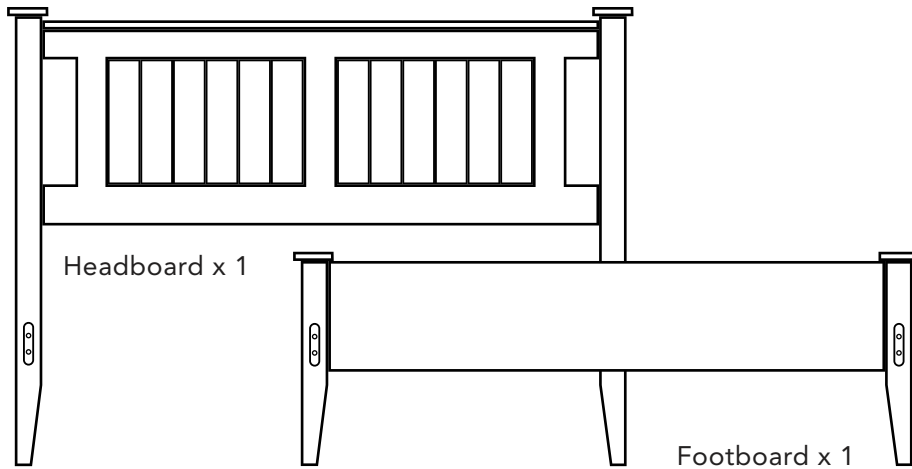


Assembly Instructions for Zanetti Bed, Full & Queen

1A

Watch our assembly videos at www.stratafurniture.com/videos.html

Parts in Box 1 of 2:



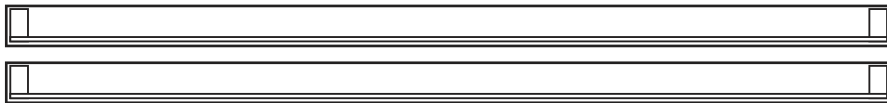
Slats x 1



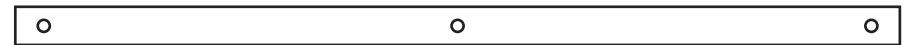
Slat Support Feet x 3

1B

Parts in Box 2 of 2:



Stretcher x 2



Center Rail x 1

1C

Hardware in Box 2 of 2:



Bolts (12mm) x 8
For the Headboard
and Footboard



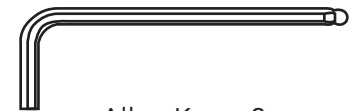
Bolts (70mm) x 1
For the Center Slat
Support Foot



Bolts (90mm) x 2
For the Outside Slat
Support Feet



Screw x 24
For Slats

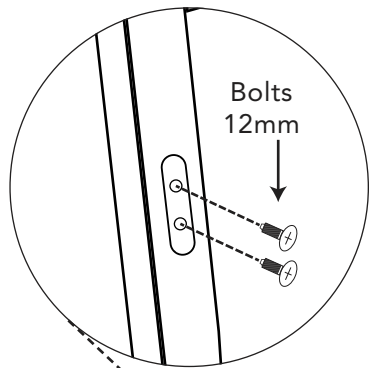


Allen Key x 2
One for 12mm Bolts,
One for 70mm & 90mm Bolts

Assembly Instructions for Platform Bed, Full & Queen

2A

Insert 12mm Bolts into Headboard and Footboard.
Leave bolts loose!

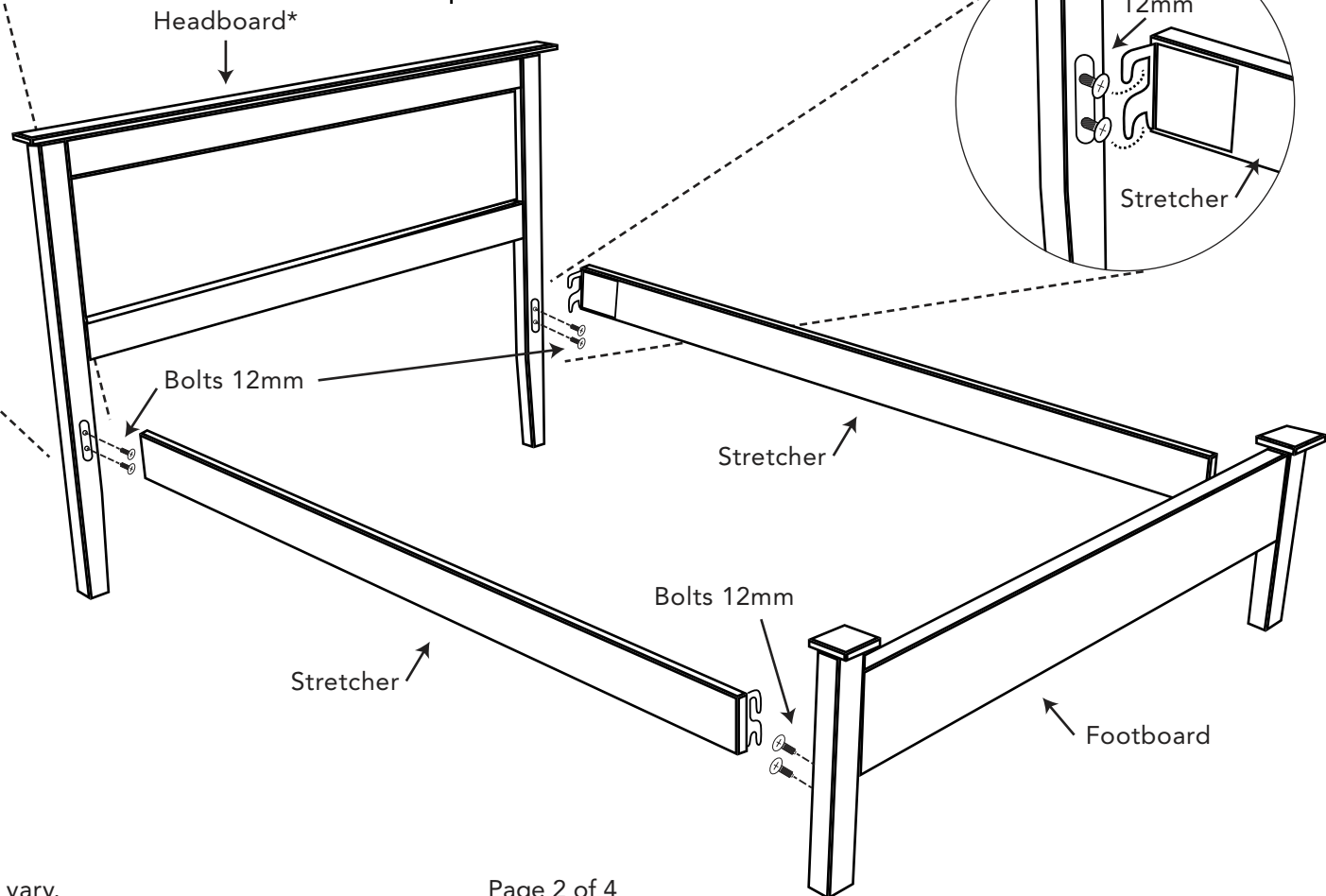
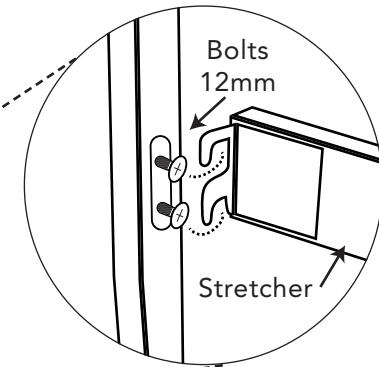


2B

Connect the Stretchers to the Headboard and Footboard.

Drop Stretcher bracket over 12mm Bolts on Headboard and Footboard as shown.

Tighten all 12mm Bolts with Allen Key.

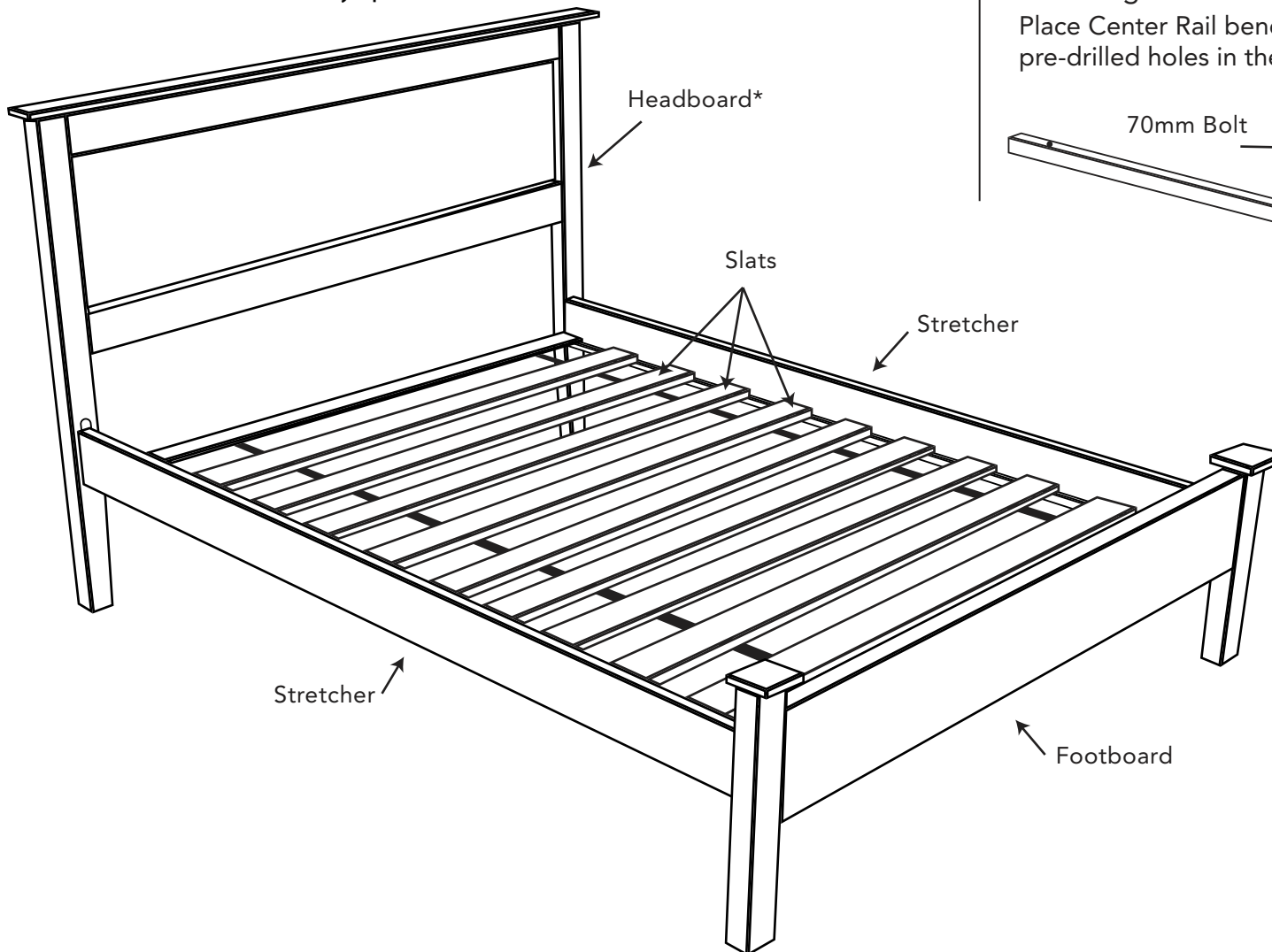


*Headboard style may vary.

Assembly Instructions for Platform Bed, Full & Queen

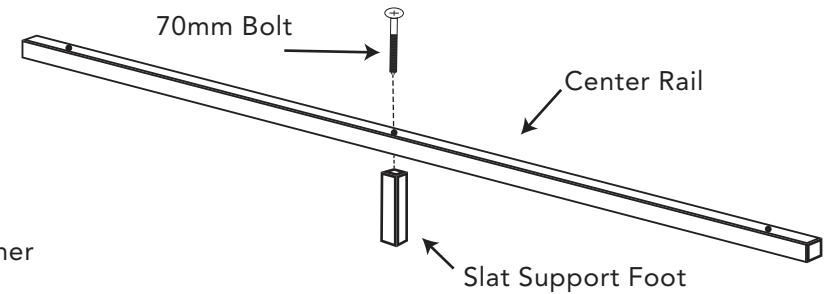
3A

Roll slats out on top of Stretchers with Strip-side down.
Make sure slats are evenly spaced!



3B

Attach one of the Slat Support Feet to the Center Rail using the 70mm Bolt as shown.
Place Center Rail beneath the slats so it aligns with pre-drilled holes in the slats.

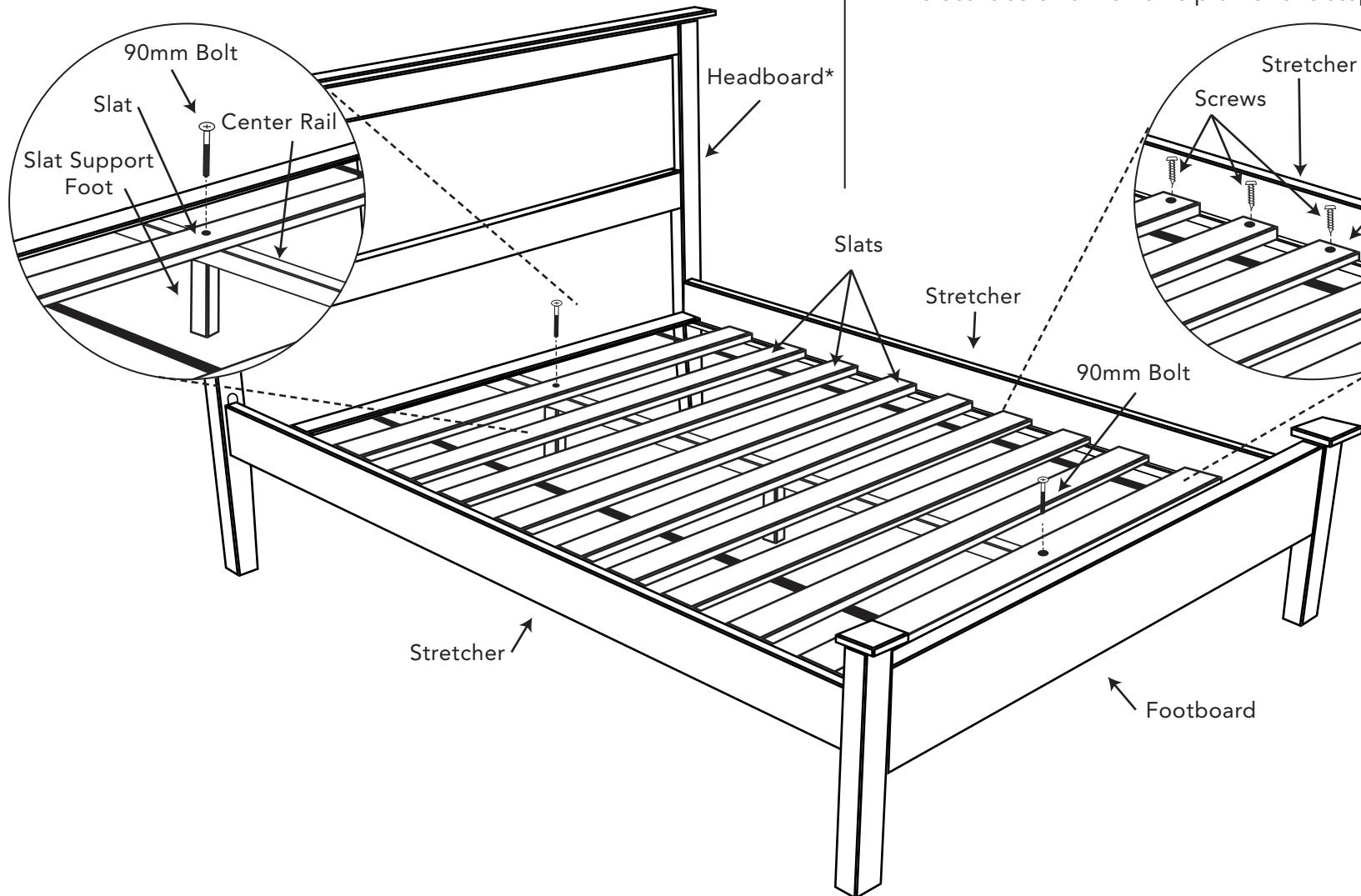


*Headboard style may vary.

Assembly Instructions for Platform Bed, Full & Queen

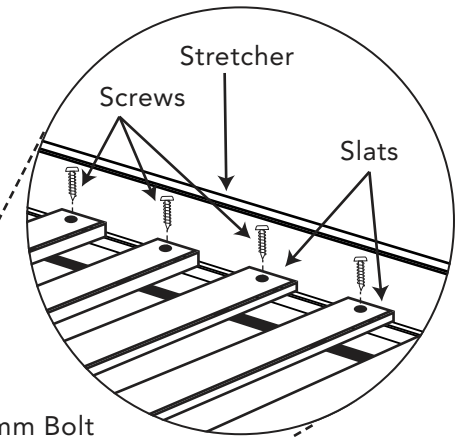
4A

Using 90mm Bolts, attach remaining Slat Support Feet to Slats and Center Rail as shown.



4B

Attach Slats to Stretchers using Screws as shown. An electric screwdriver is helpful for this step.



*Headboard style may vary.