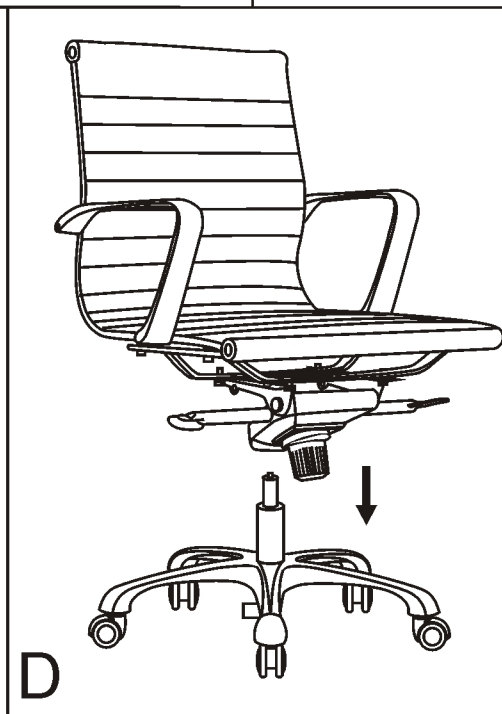
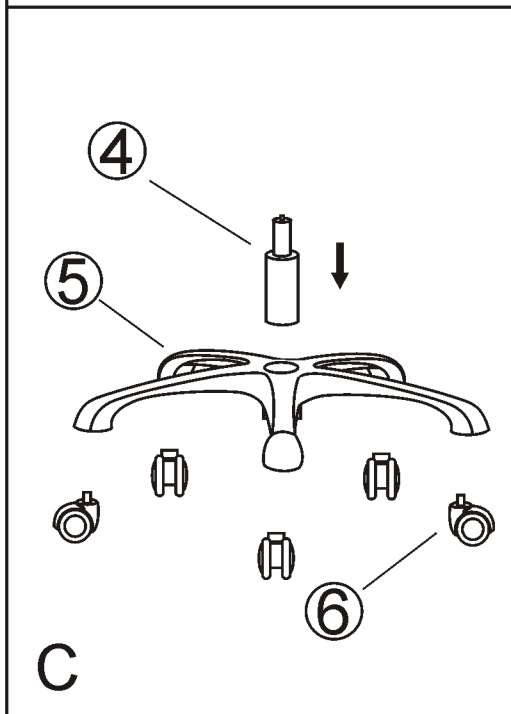
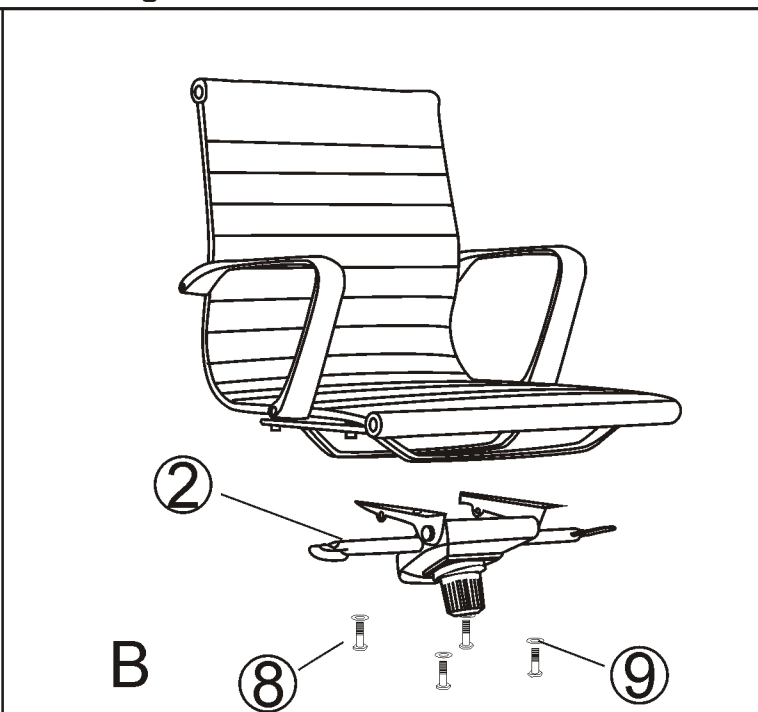
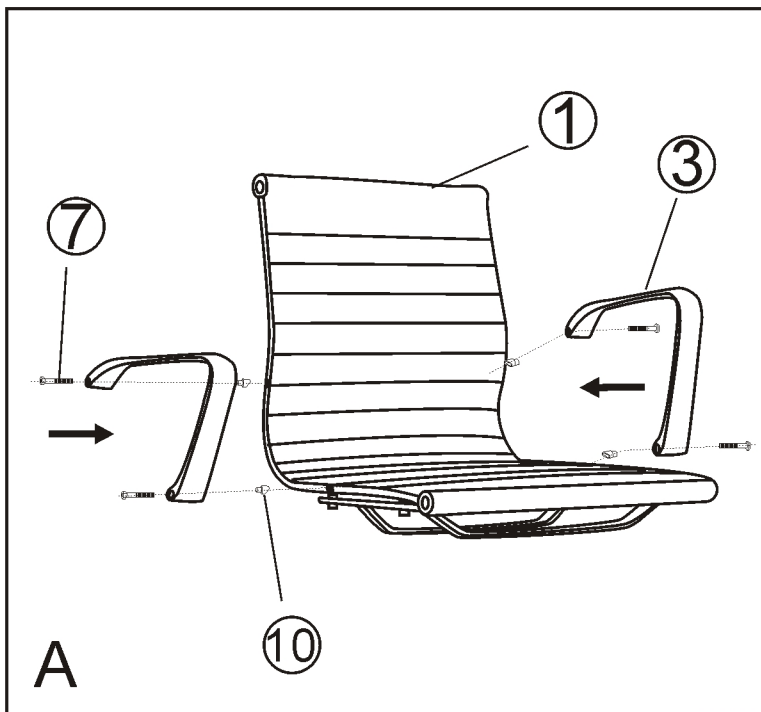


Assembly Instructions



No.	Accessories	Size	QTY
①			1
②			1
③			2
④			1
⑤			1
⑥			5
⑦		8x50	4
⑧		8x25	4
⑨		M8	4
⑩			4
Tool:		M8	1