

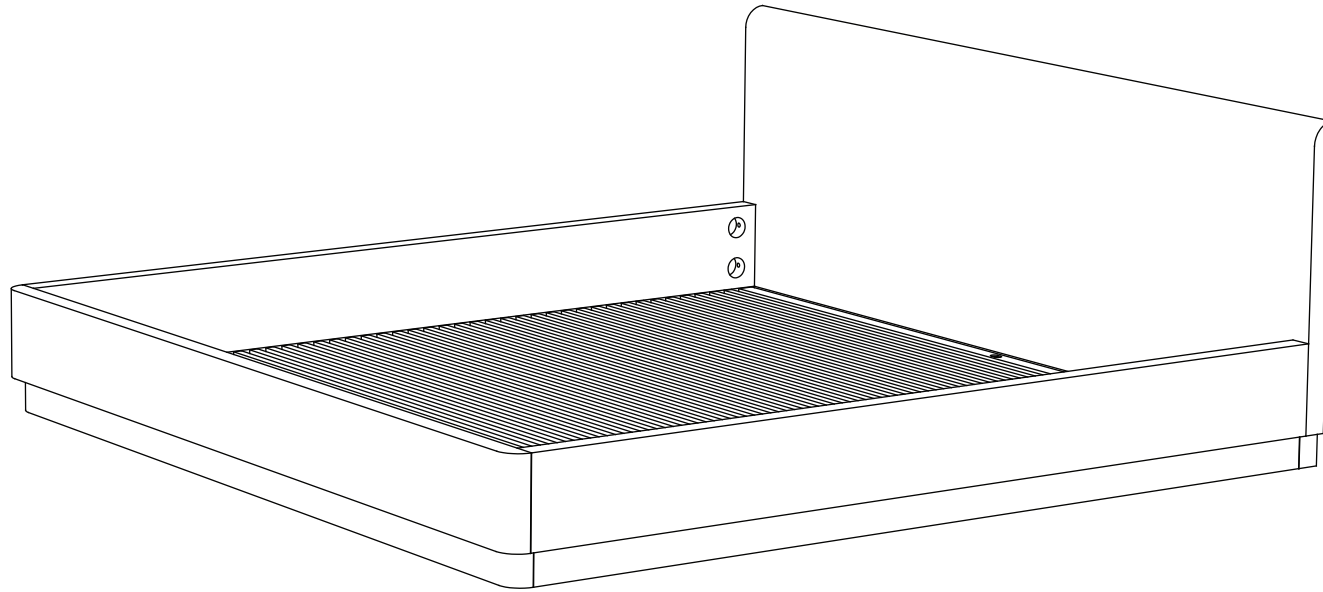
MOE'S

home collection

ASSEMBLY INSTRUCTIONS .

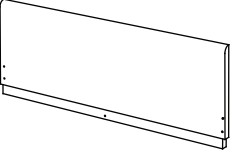

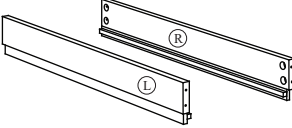
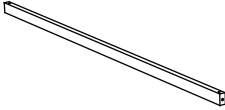
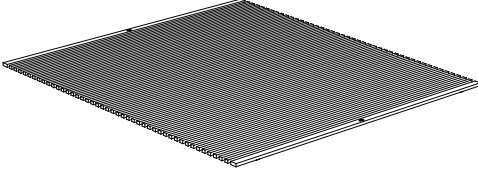







ROUND OFF KING BED

YR-1006-21



THANK YOU FOR YOUR PURCHASE !

PARTS AND HARDWARE .

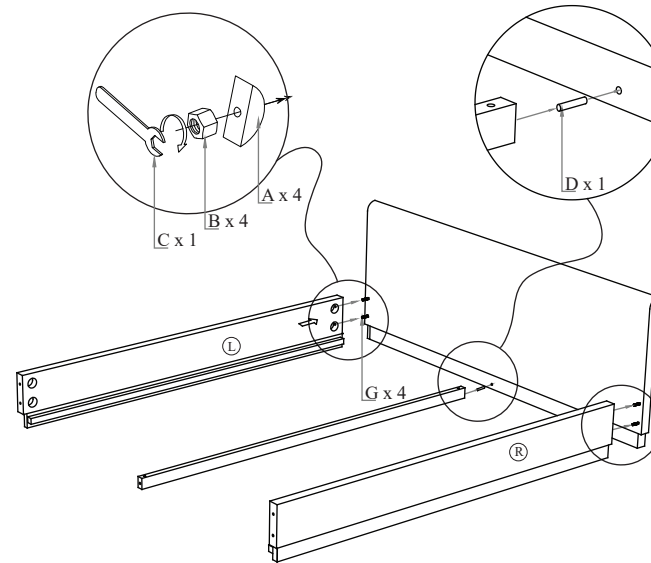
1. HEADBOARD x 1 	2. FOOTBOARD x 1 
3. LEFT SIDERAIL x 1 RIGHT SIDERAIL x 1 	4. SUPPORT BAR x 1 
5. SLAT x 1 	
A. HALF MOON x 8PCS 	B. HEX NUT M8 x 8PCS 
C. WRENCH M13 x 1PCS 	D. WOODEN DOWEL x 2PCS 
E. ALLEN KEY M4 x 1PCS 	F. BOLT (M6x25) x 2PCS 
G. THREAD BOLT (M8x80) x 8PCS 	

NOTES.

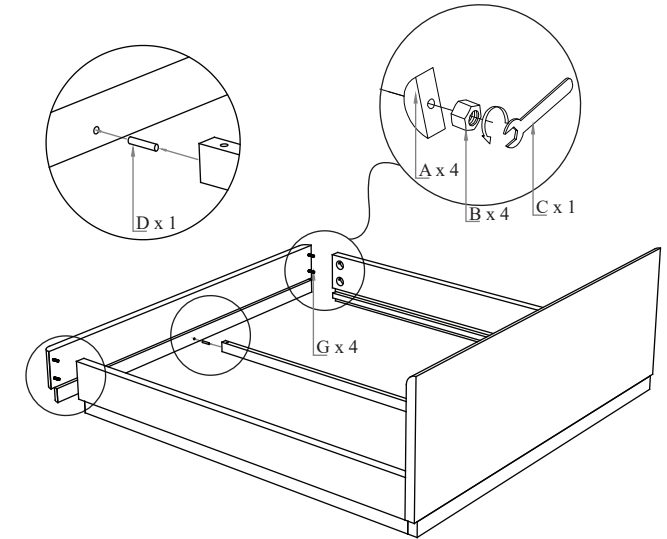
Thank you for purchasing this quality product !
Be sure to check all packing material carefully
for small part that may have come loose inside
the carton during shipping.

CAUTION: The item is heavy, assembly should
be performed by two people.

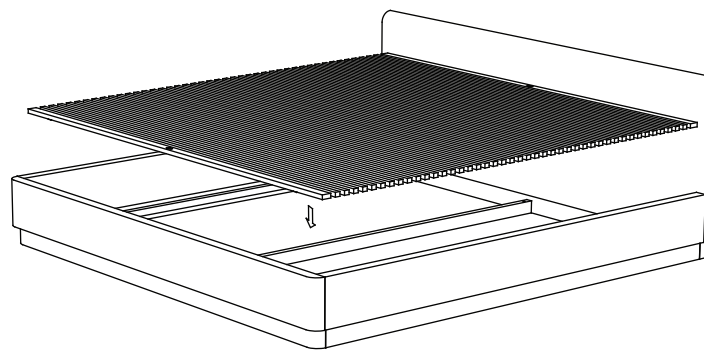
STEP 1.



STEP 2.



STEP 3.



STEP 4.

