

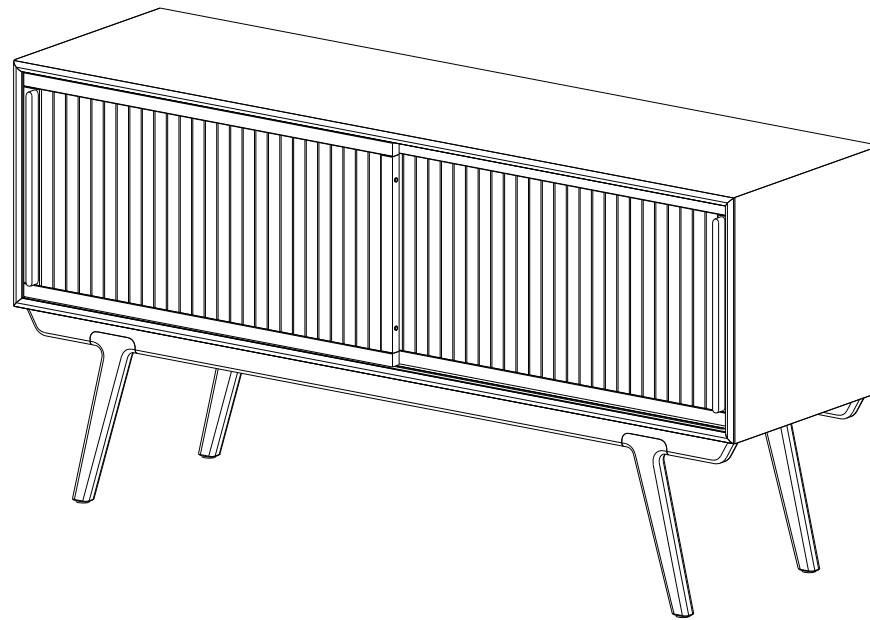
# MOE'S

home collection

## **ASSEMBLY INSTRUCTIONS.**

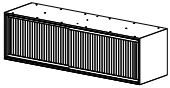


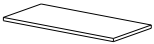

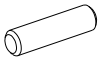
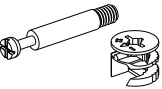
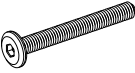


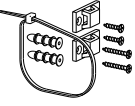
ALASKA SIDEBOARD

YC - 1018 - 20

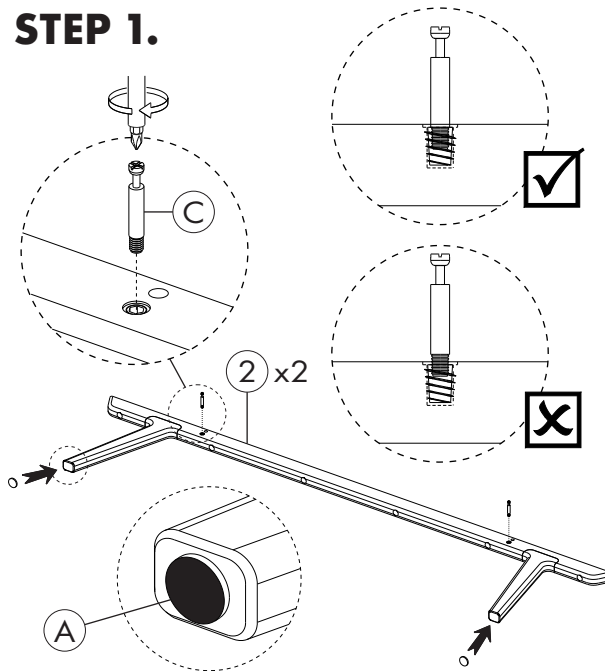


THANK YOU FOR YOUR PURCHASE!

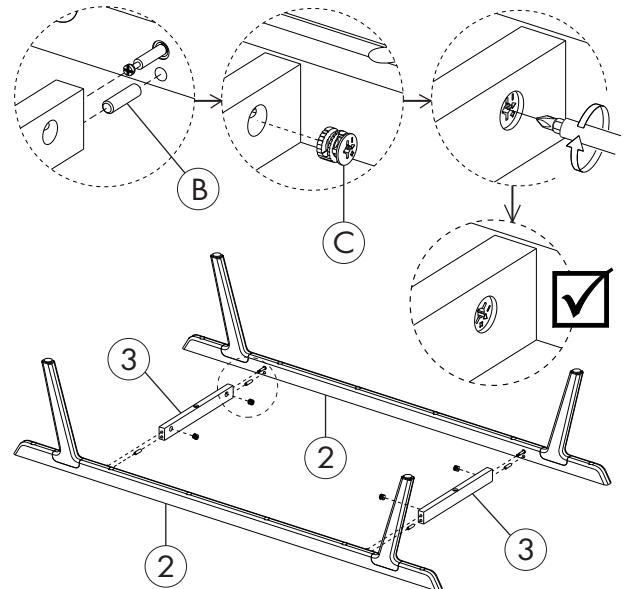
## PARTS AND HARDWARE.

1. Body cabinet x1 	2. Leg x2 	3. Support bar x2 
4. Shelf x2 	A. Felt Ø20-3 x4 	B. Wood dowel Ø8-30 x4 
C. Minifix and housing x4 	D. F-Bolt M6-50 x14 	E. Allen key x2 
F. Plastic pin x8 (Extra x4) 	G. Anti-tip x2 	

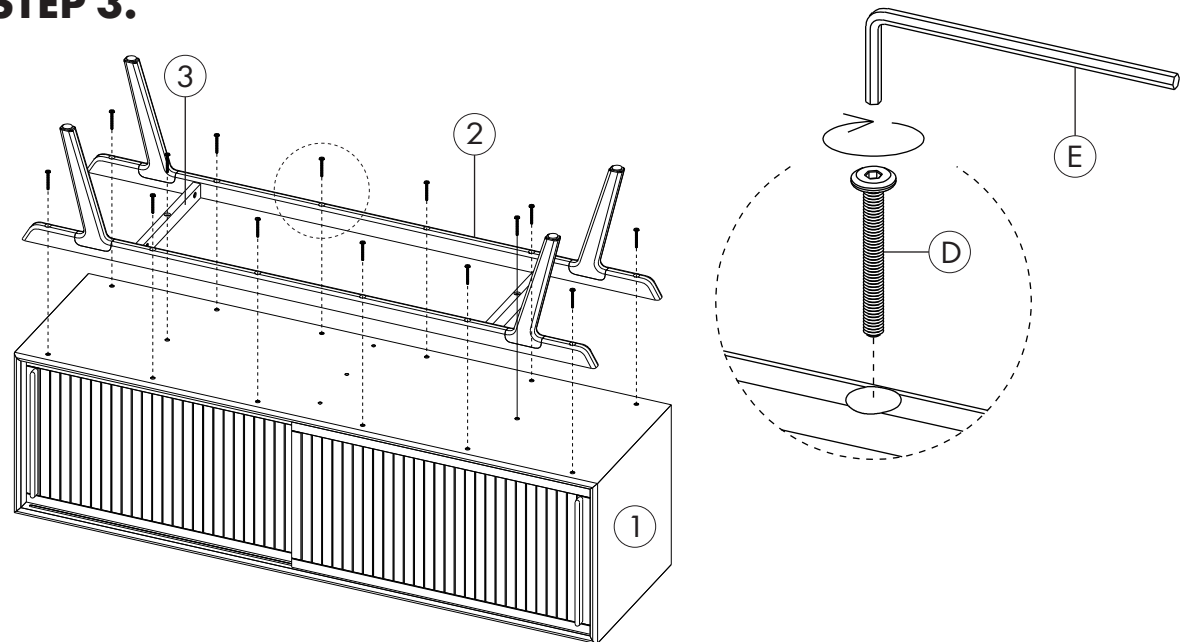
## STEP 1.



## STEP 2.



## STEP 3.

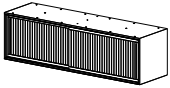


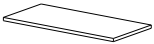

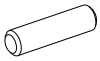
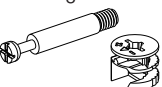
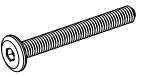


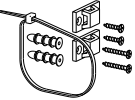


## NOTES.

Thank you for purchasing this quality product! Be sure to check all packing material carefully for small part that may have come loose inside the carton during shipping.

**CAUTION:** The item is heavy, take care when lifting and use 2 people to maneuver safely.

## PARTS AND HARDWARE.

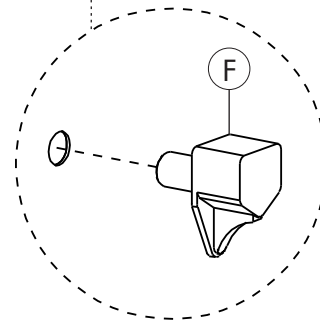
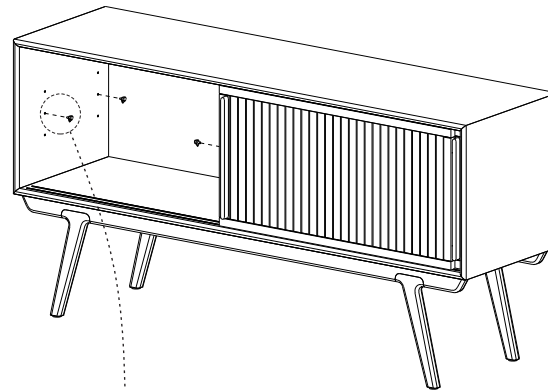
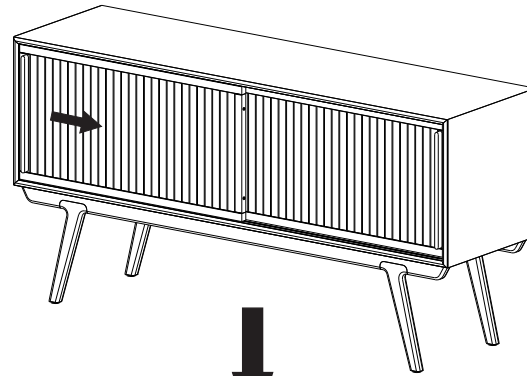
1. Body cabinet x1 	2. Leg x2 	3. Support bar x2 
4. Shelf x2 	A. Felt Ø25-3 x4 	B. Wood dowel Ø8-30 x4 
C. Minifix and housing x4 	D. F-Bolt M6-50 x14 	E. Allen key x2 
F. Plastic pin x8 (Extra x4) 	G. Anti-tip x2 	

## NOTES.

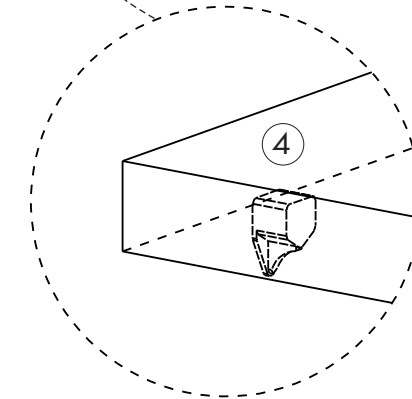
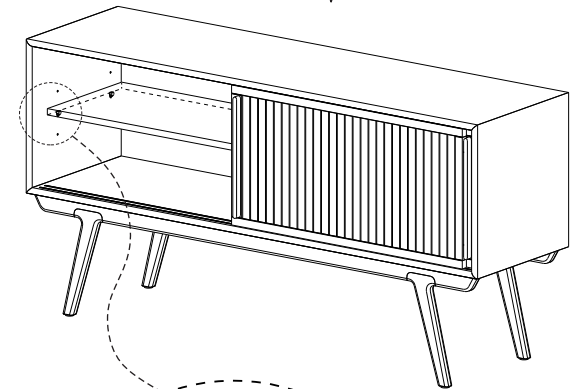
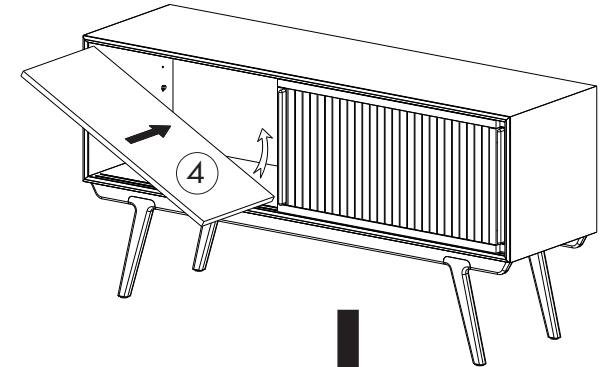
Thank you for purchasing this quality product! Be sure to check all packing material carefully for small part that may have come loose inside the carton during shipping.

**CAUTION:** The item is heavy, take care when lifting and use 2 people to maneuver safely.

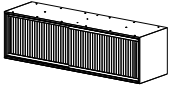


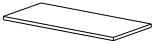

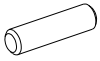
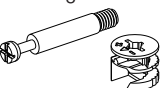
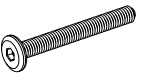


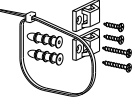
## STEP 4.



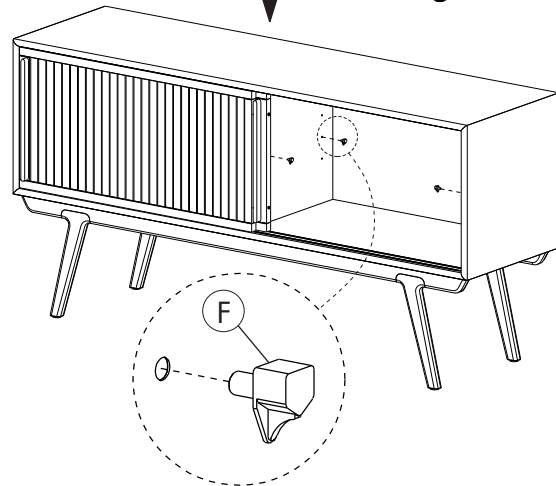
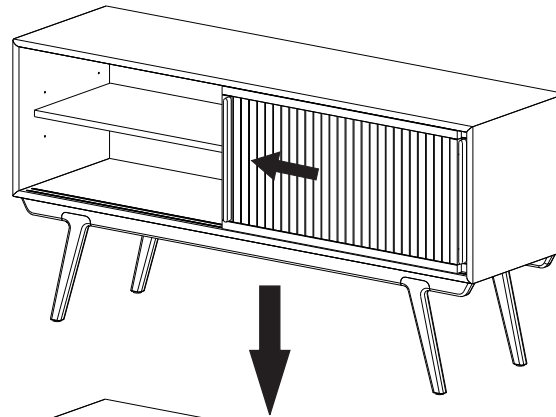
## STEP 5.



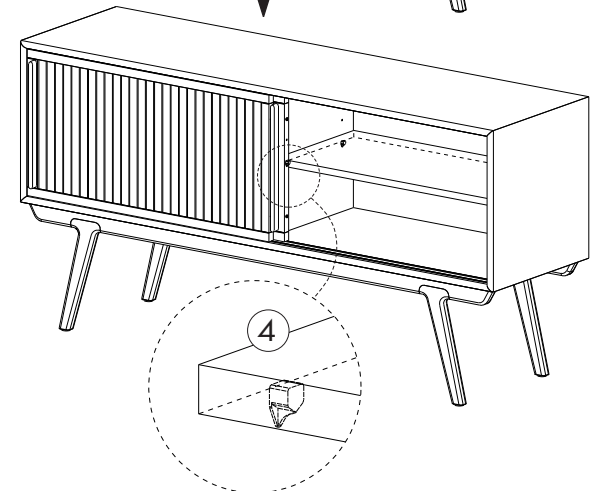
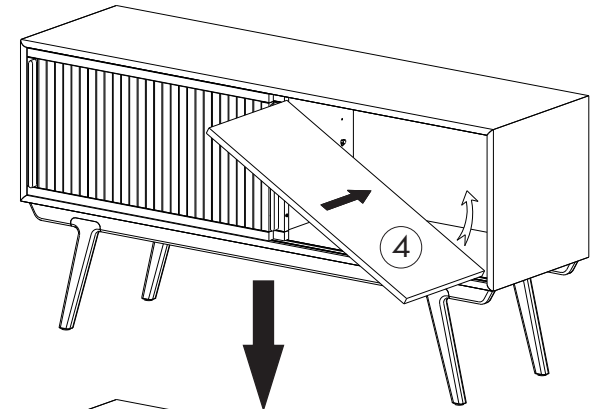
## PARTS AND HARDWARE.

1. Body cabinet x1 	2. Leg x2 	3. Support bar x2 
4. Shelf x2 	A. Felt Ø25-3 x4 	B. Wood dowel Ø8-30 x4 
C. Minifix and housing x4 	D. F-Bolt M6-50 x14 	E. Allen key x2 
F. Plastic pin x8 (Extra x4) 	G. Anti-tip x2 	

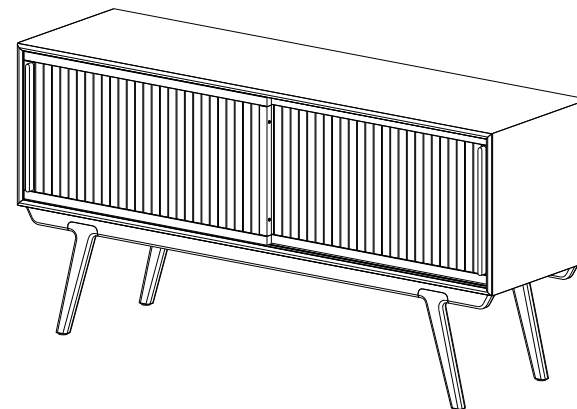
## STEP 6.



## STEP 7.



## STEP 8.


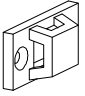
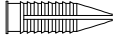




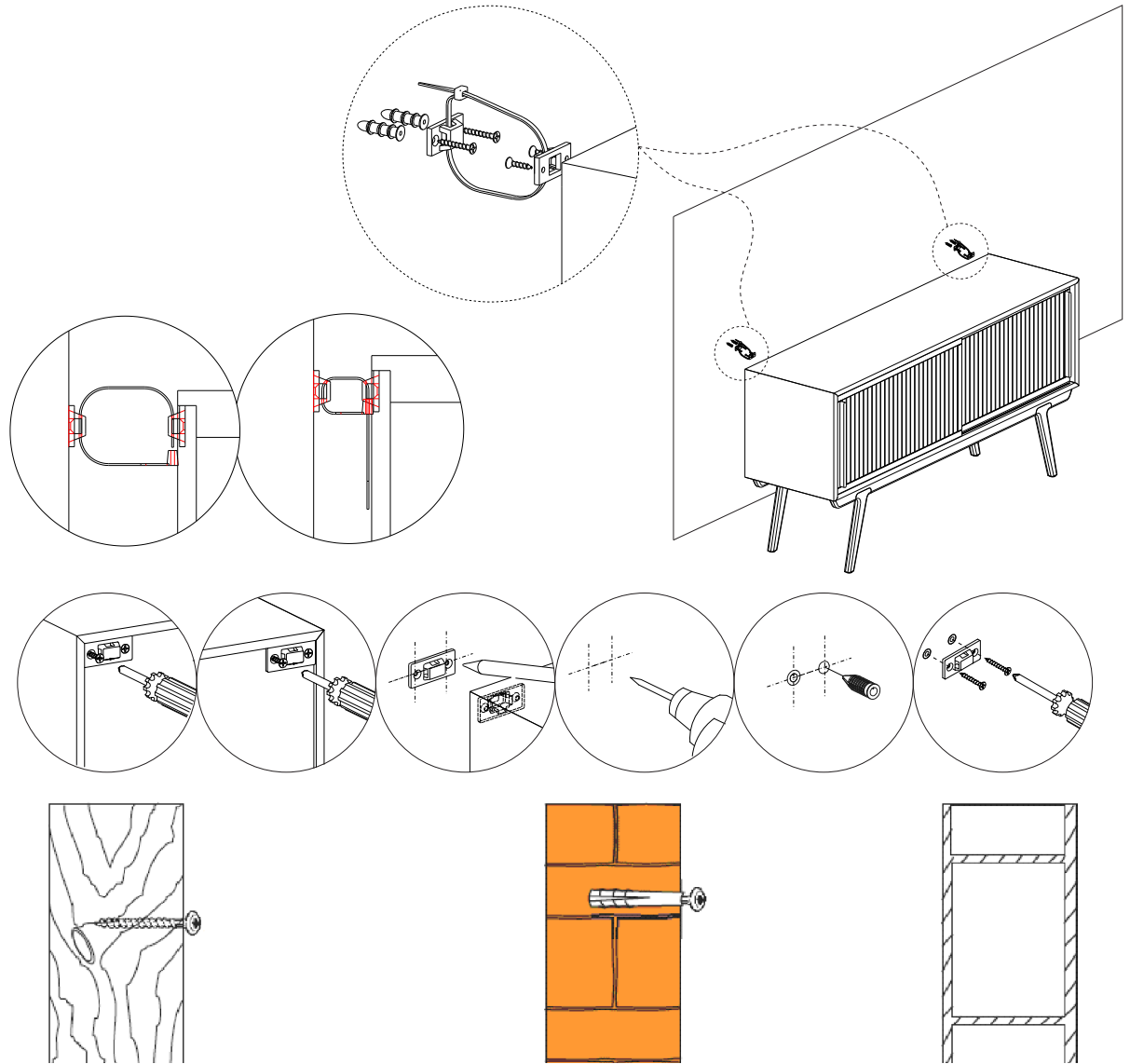
## NOTES.

Thank you for purchasing this quality product! Be sure to check all packing material carefully for small part that may have come loose inside the carton during shipping.

**CAUTION:** The item is heavy, take care when lifting and use 2 people to maneuver safely.

## ANTI-TIP PART LIST.

1. Nylon strap x2 	2. Wall brackets x4 	3. Plastic screw x4 
4. Long screw x4 	5. Short screw x4 	



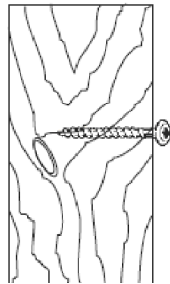
## NOTES.

Thank you for purchasing this quality product! Be sure to check all packing material carefully for small part that may have come loose inside the carton during shipping.

**CAUTION:** The item is heavy, take care when lifting and use 2 people to maneuver safely.

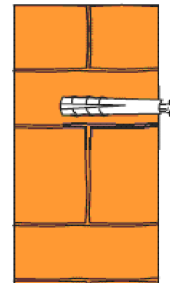
### Wood

If fixing to wood make sure that it isn't chipboard as screw easily pull away



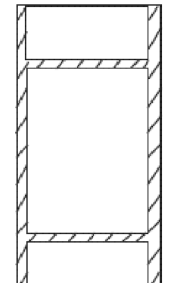
### Brick or Masonry

Use an appropriate wall plug provided you are sure your wall is sound



### Cavity wall

Special toggle wall plugs are needed. Seek expert advice



Dear Customer,

Congratulations on your purchase of a piece of furniture made from lacquered, veneered Walnut.

The individual wood slats in your piece of furniture are especially selected and sorted by hand by skilled craftsmen. They follow specific guidelines securing the quality demands and design preferences that lay out the form of this furniture range. Through this we have manufactured a unique piece of furniture with the heterogeneity that characterizes wild-oak, clearly showing the wood's natural irregularities of strong grains, knots and smaller cracks. Features that are often avoided in other furniture ranges. Twists in the wood, smaller cracks and repairs are parts of the uniqueness of the range, and therefore do not qualify for complaints. Wood is a living material, affected by temperature and moisture for a long period after you start using it. Thereby, table tops and top plates will expand and shrink according to the seasons, and cracks and spaces that vary in time are some of the joys of owning a natural product. If extension leaves are made from mdf, which is a stable material, these will never be able to fit the table by 100 %.

To make sure that you will enjoy many years of satisfaction with your piece of furniture, it is imperative with the right care and maintenance. Kindly follow the below guidelines, and we guarantee that your unit will stay beautiful in the years to come. It is our recommendation that you ask your furniture supplier for advice in any instance.

Daily maintenance:

1. Clean the surface with a clean, wrung out cloth. Never use detergents
2. Coloured stains like red wine must be dried off immediately
3. Avoid extreme humidity and heat. Do not place the item close to heat sources
4. Legs for coffee and dining tables must be fastened occasionally