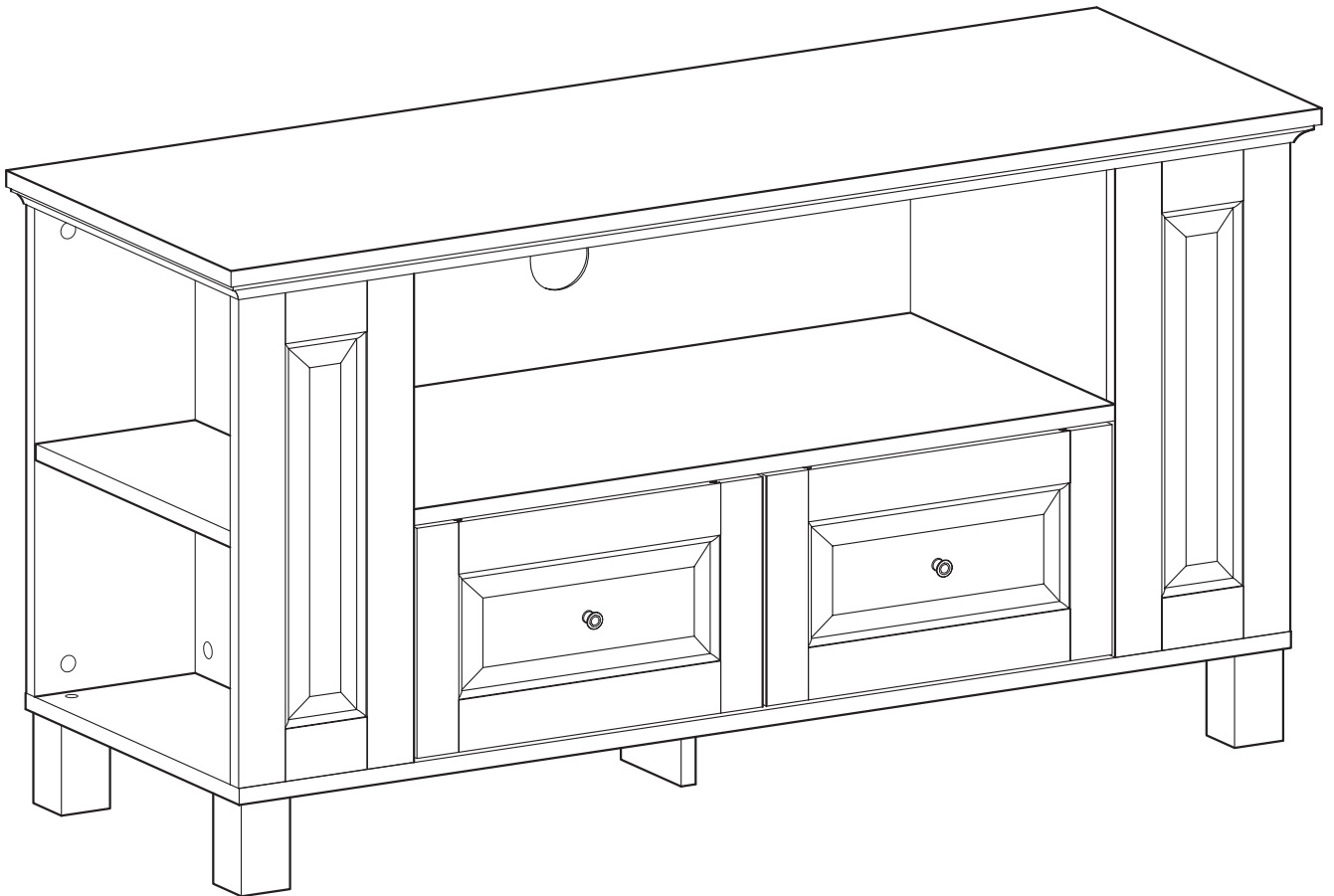


W Walker
E Edison
furniture company

Item #: WQ44CMP
Assembly Instructions

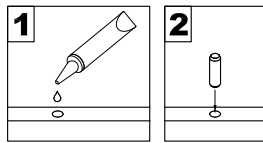


For our most current instructions, to request missing, lost or broken parts, or for any other Customer Service issues, please visit our website at www.walkeredison.com or call us at 877-207-5906.

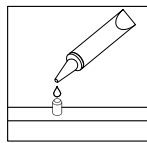
Revised 09/2010

General Assembly Guidelines

- I. Ensure that all parts and hardware are available before beginning assembly.
- II. Follow each step carefully to ensure the proper assembly of this product.
- III. Two people are recommended for ease in the assembly of this product.
- IV. The four main types of hardware used to assemble this product are: wood dowels, cam bolts and locks, bolts and screws.
- V. The provided glue is to secure wood dowels in place. When first inserting dowels, locate the appropriate hole for the dowel, place a small amount of glue in the hole and insert the dowel. Wipe away excess glue immediately.



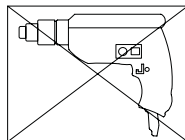
In future assembly steps when dowels are necessary to attach assembly parts together, place a small amount of glue on the end of the dowel before attaching parts together. Wipe away excess glue immediately.



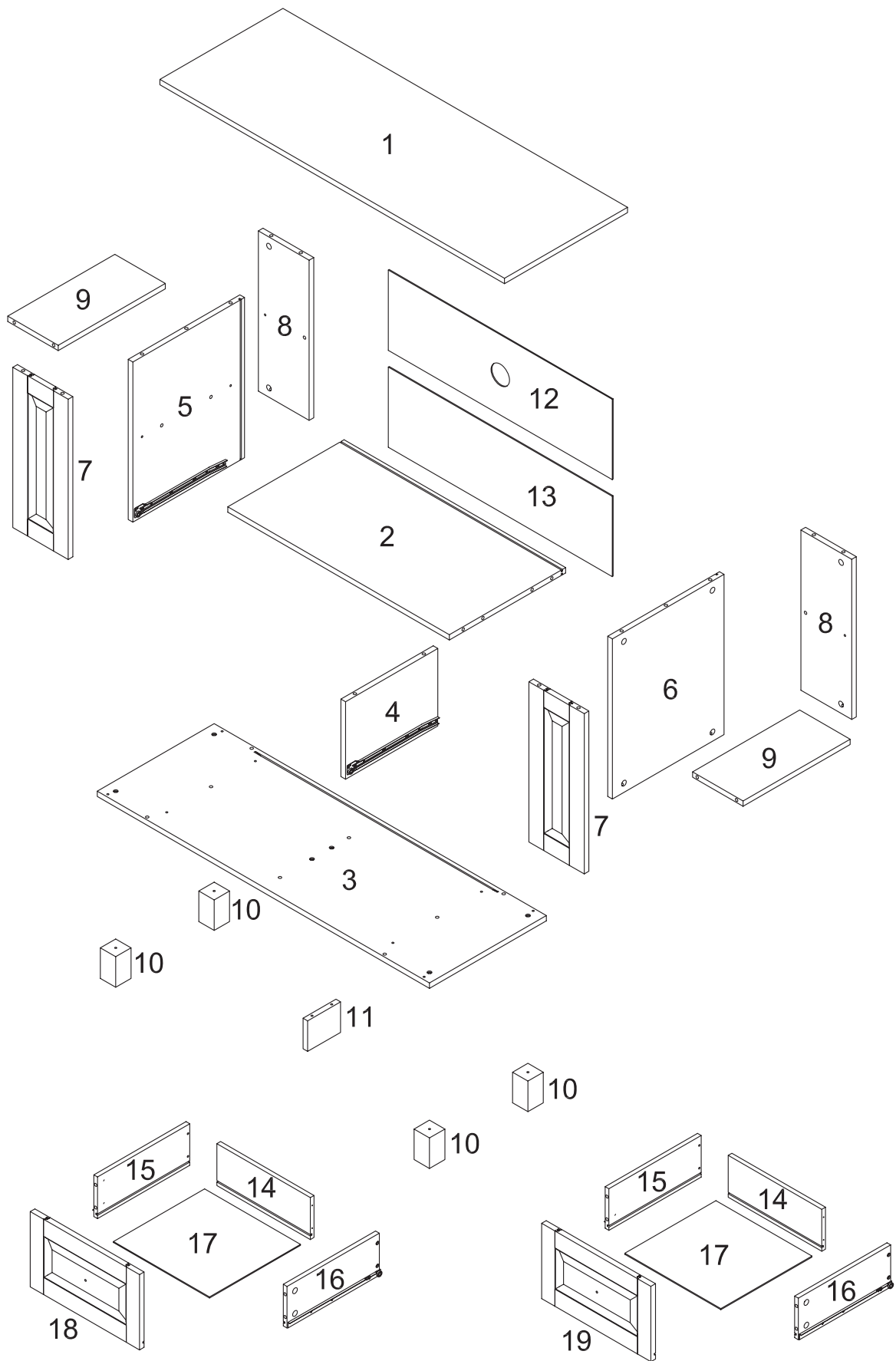
- VI. A Phillips head screwdriver is required for the assembly of this product.




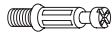











- VII. Power tools should not be used to assemble this product.



Parts List

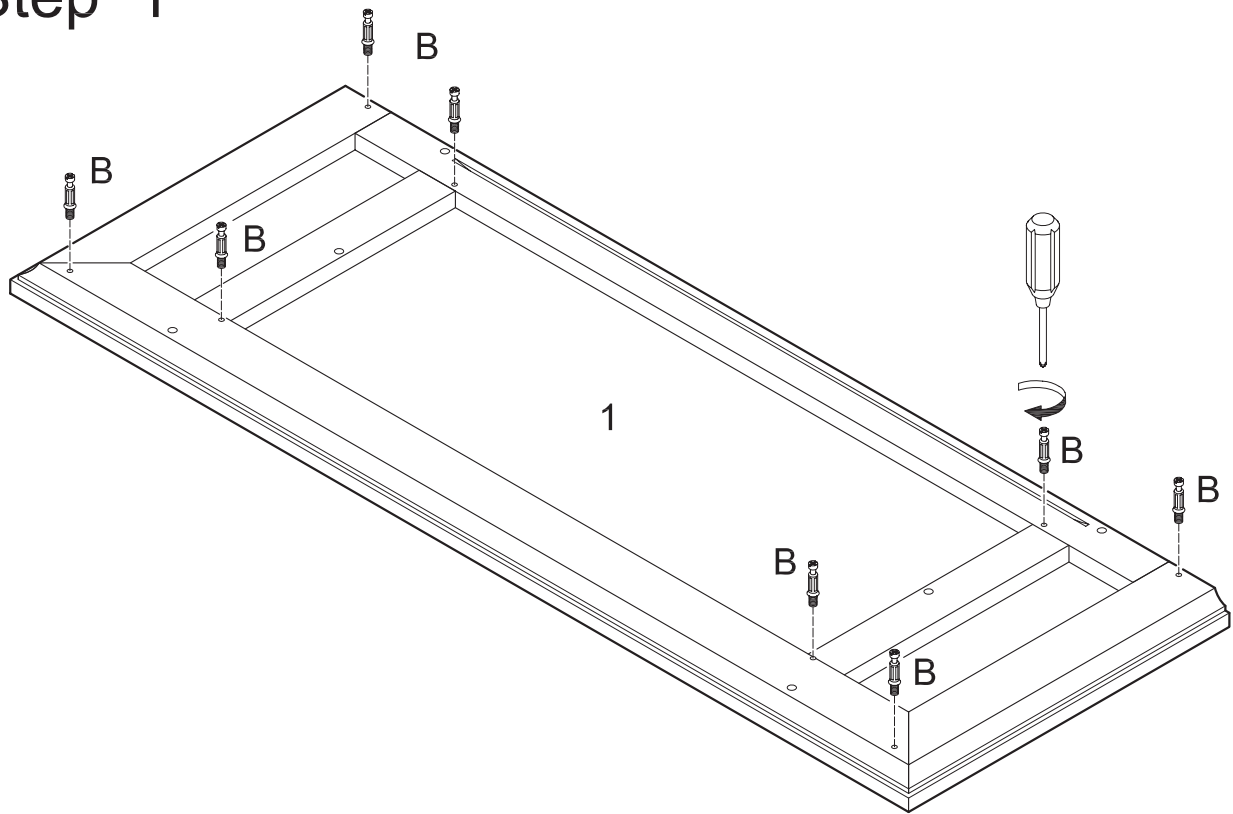


Hardware List

A		Ø8x30mm	Wood dowel	24 pcs
B		Ø6x35mm	Cam bolt	32 pcs
C		Ø15x12mm	Large cam lock	24 pcs
D		Ø15x9mm	Small cam lock	8 pcs
E		Ø6x50mm	Large bolt	6 pcs
F		Ø4x19mm	Small bolt	2 pcs
G		Ø25x17mm	Handle	2 pcs
H		Ø4x30mm	Large screw	8 pcs
J		Ø3x17mm	Small screw	8 pcs
K			Plastic wedge	8 pcs
L		Ø4mm	Wrench	1 pc
M			Glue tube	2 pcs
N		Ø25mm	Sticker	32 pcs

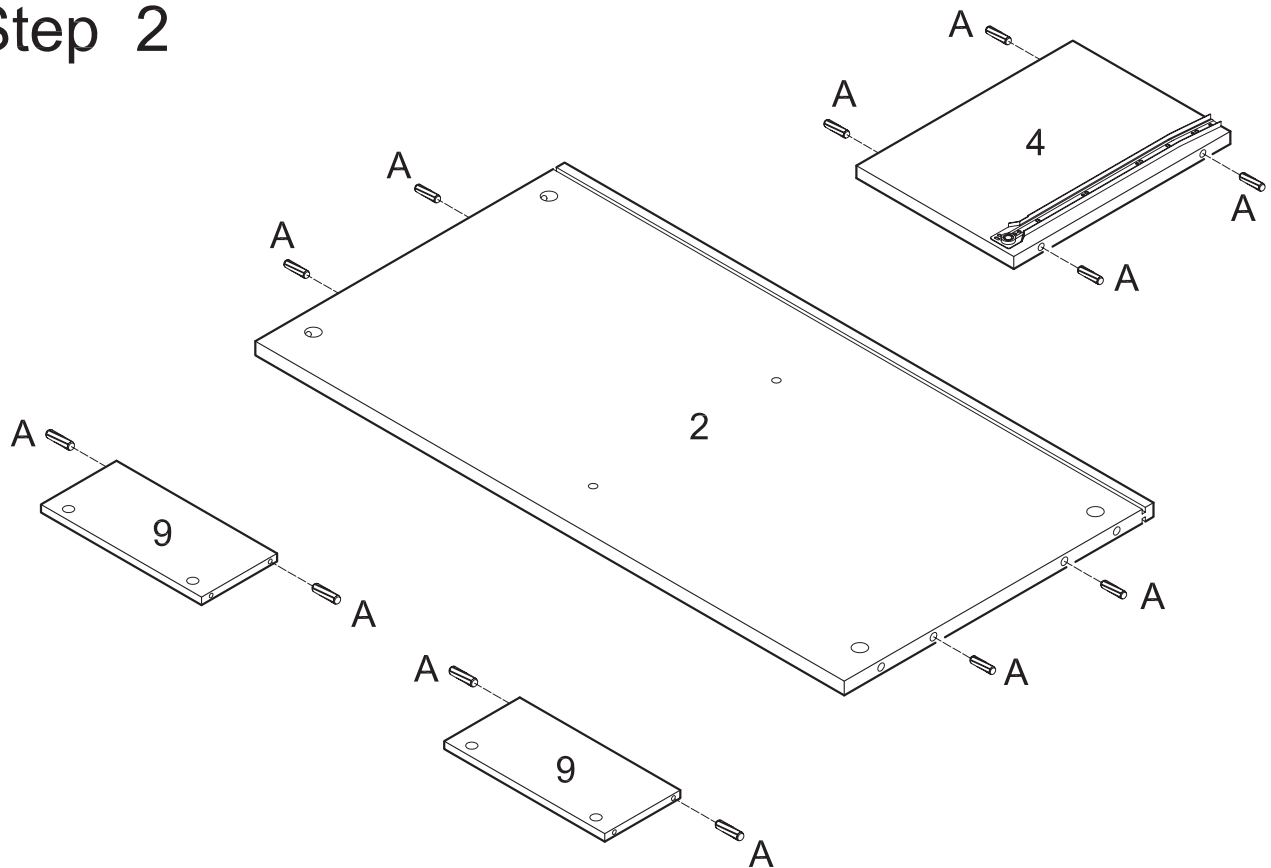
*The hardware quantities listed above are required for proper assembly.
Some extra hardware may also have been included.*

Step 1



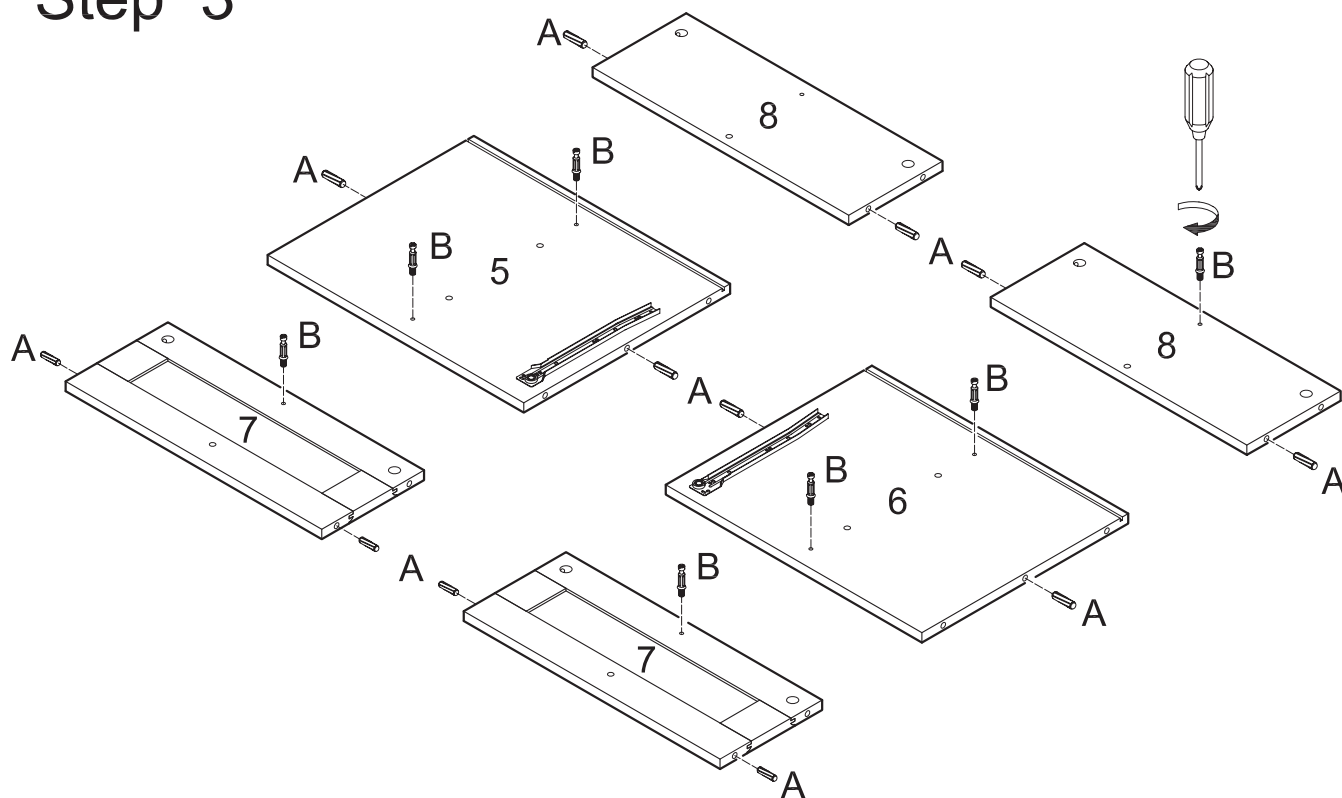
Screw cam bolts (B) into stand top (1).

Step 2



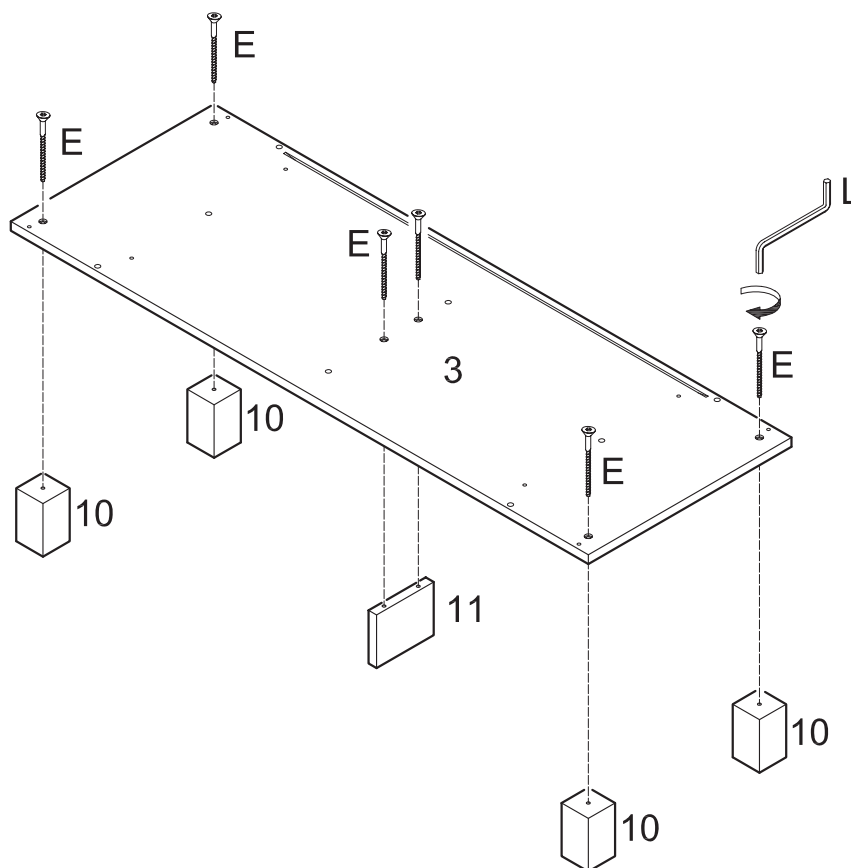
Insert dowels (A) into shelves (9), stand base (2) and drawer divider (4).

Step 3



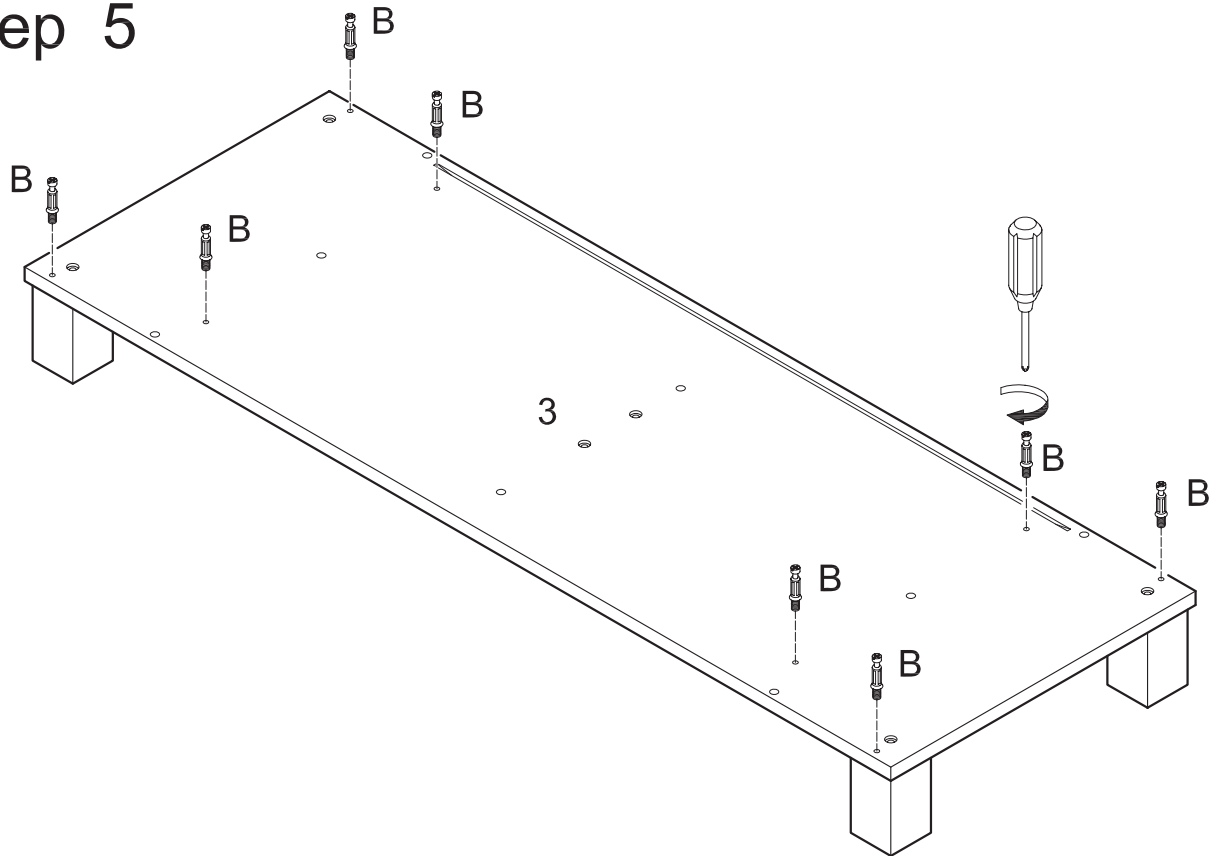
Screw cam bolts (B) into drawer pieces (5,6,7,8). Insert dowels (A) into drawer pieces (5,6,7,8).

Step 4



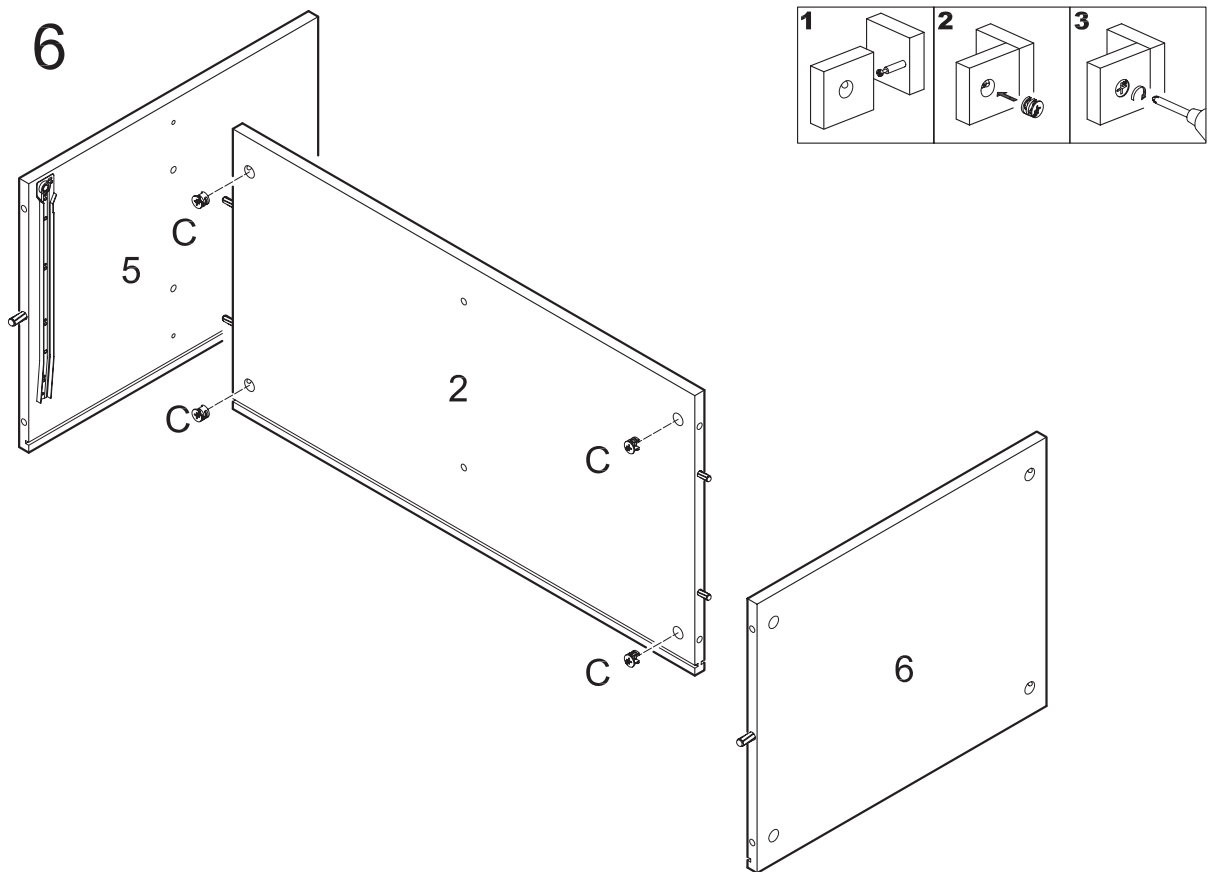
Attach feet (10) and stand support (11) to stand base (3) using large bolts (E) and wrench (L).

Step 5



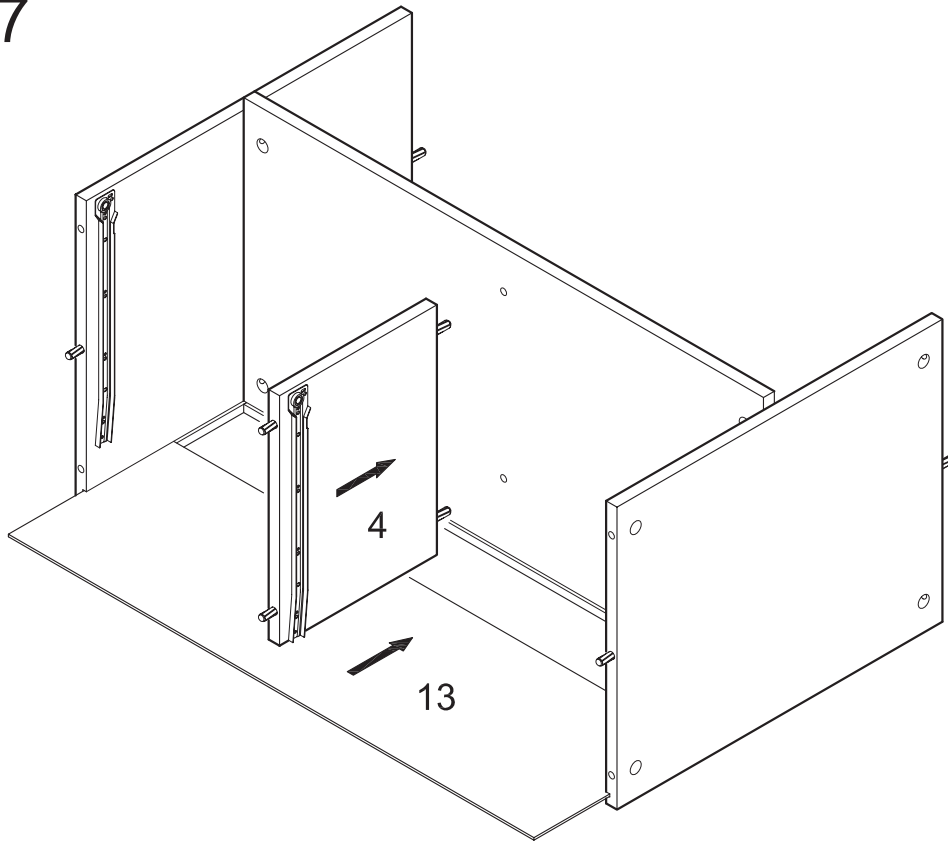
Screw cam bolts (B) into stand base (3).

Step 6



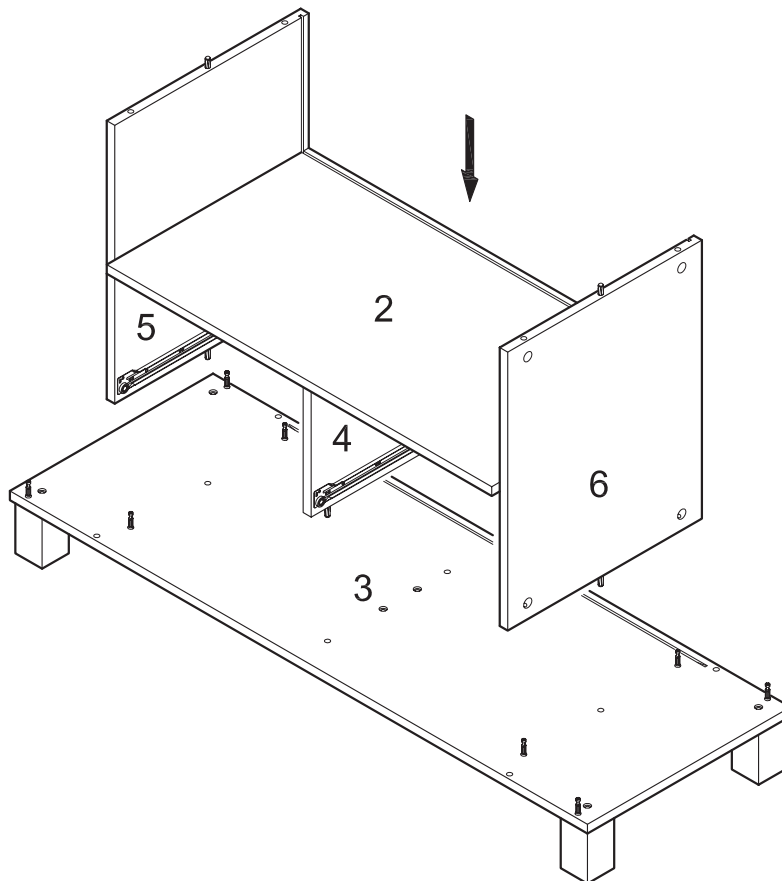
Attach panels (5,6) to panel (2) using cam bolts and dowels as guides. Insert large cam locks (C) into panel (2) and tighten with a screwdriver.

Step 7



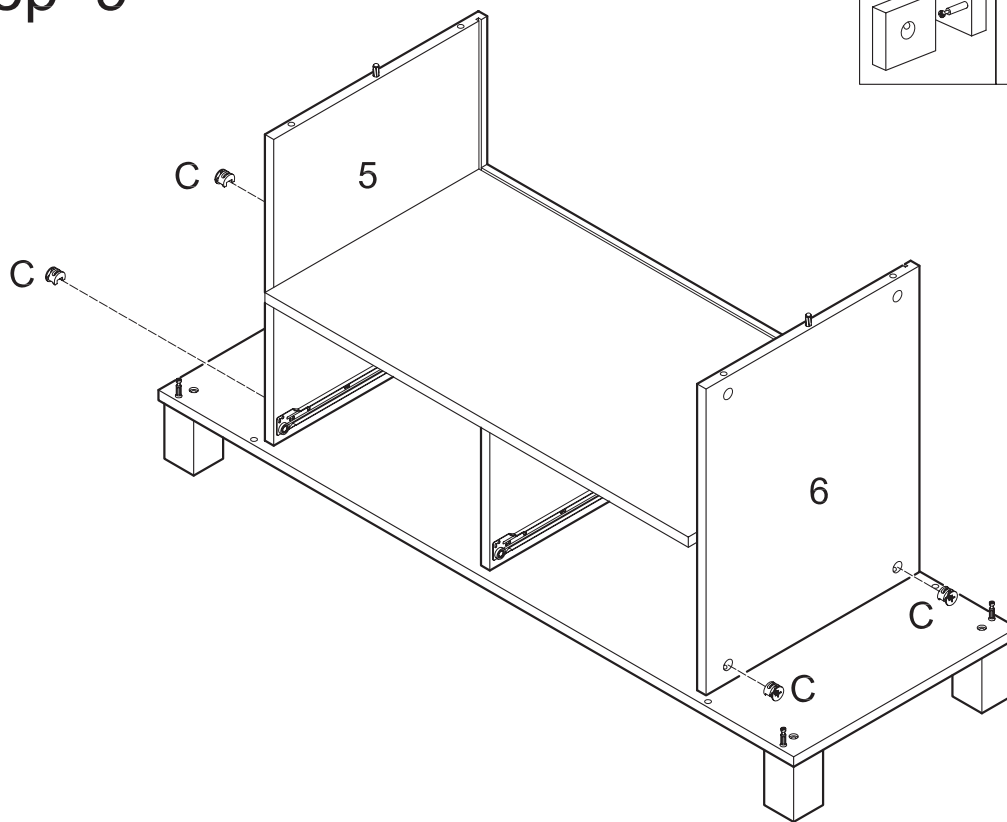
Attach drawer divider (4) to the assembly from the previous step using dowels as guides. Slide back panel (13) into the grooves of the assembly.

Step 8



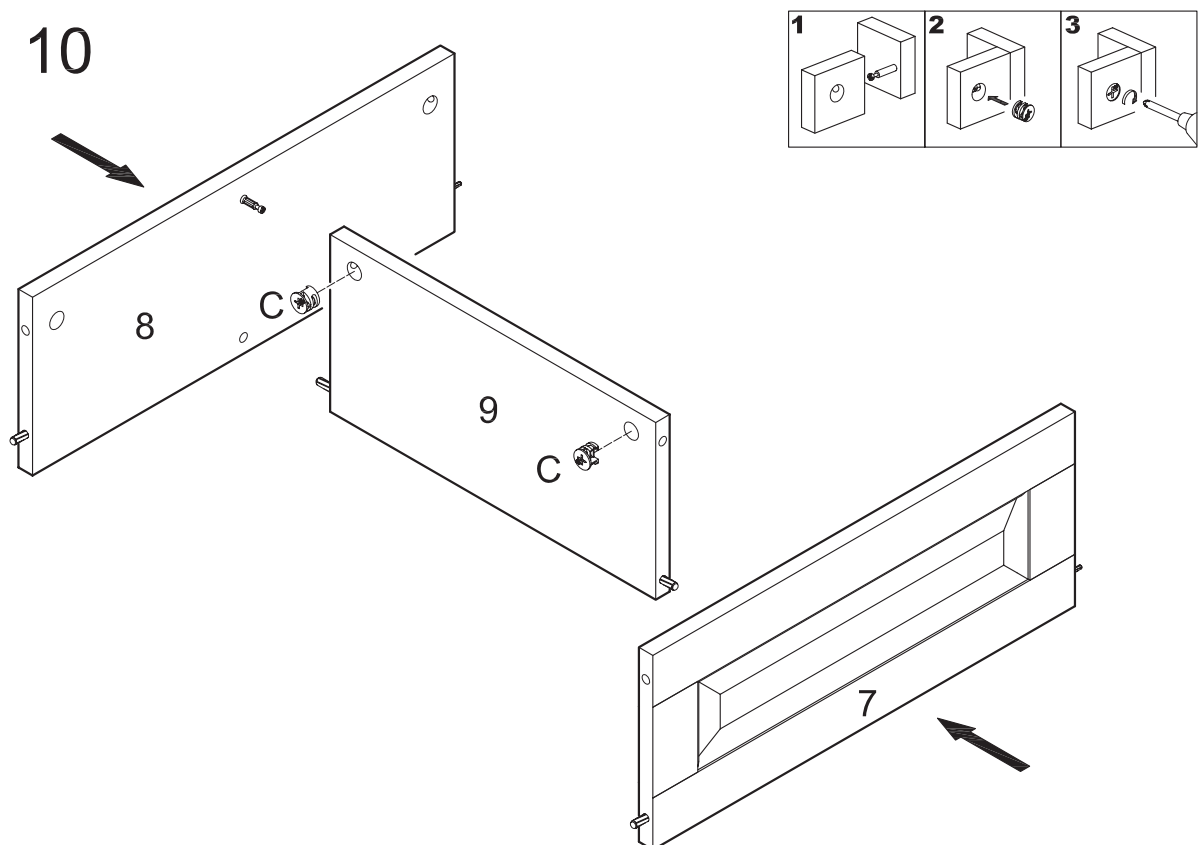
Attach the assembly from the previous step to stand base (3) using cam bolts and dowels as guides.

Step 9



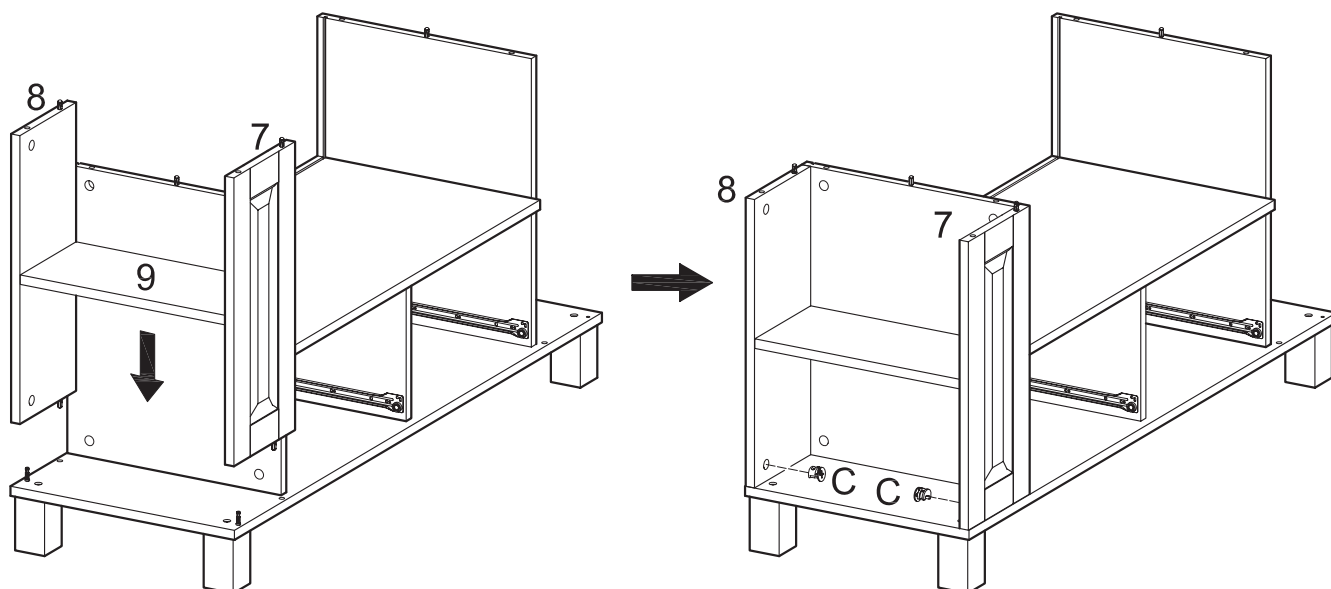
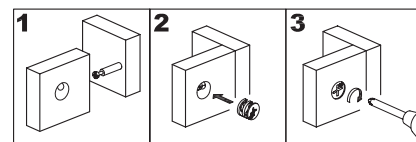
Insert large cam locks (C) into panels (5,6) and tighten with a screwdriver.

Step 10



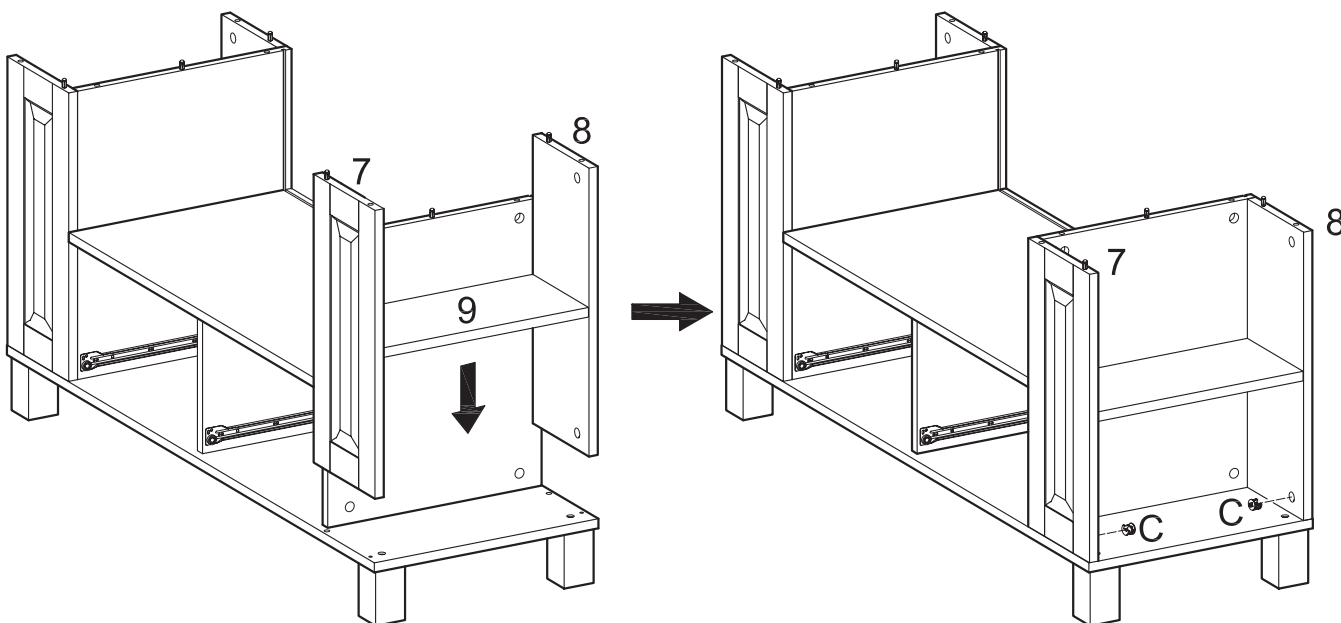
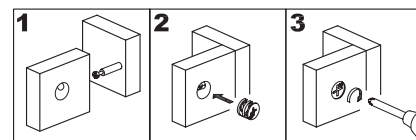
Attach panels (7,8) to shelf (9) using cam bolts and dowels as guides. Insert large cam locks (C) into panel (9) and tighten with a screwdriver. Repeat this step for second set of panels (7,8,9).

Step 11



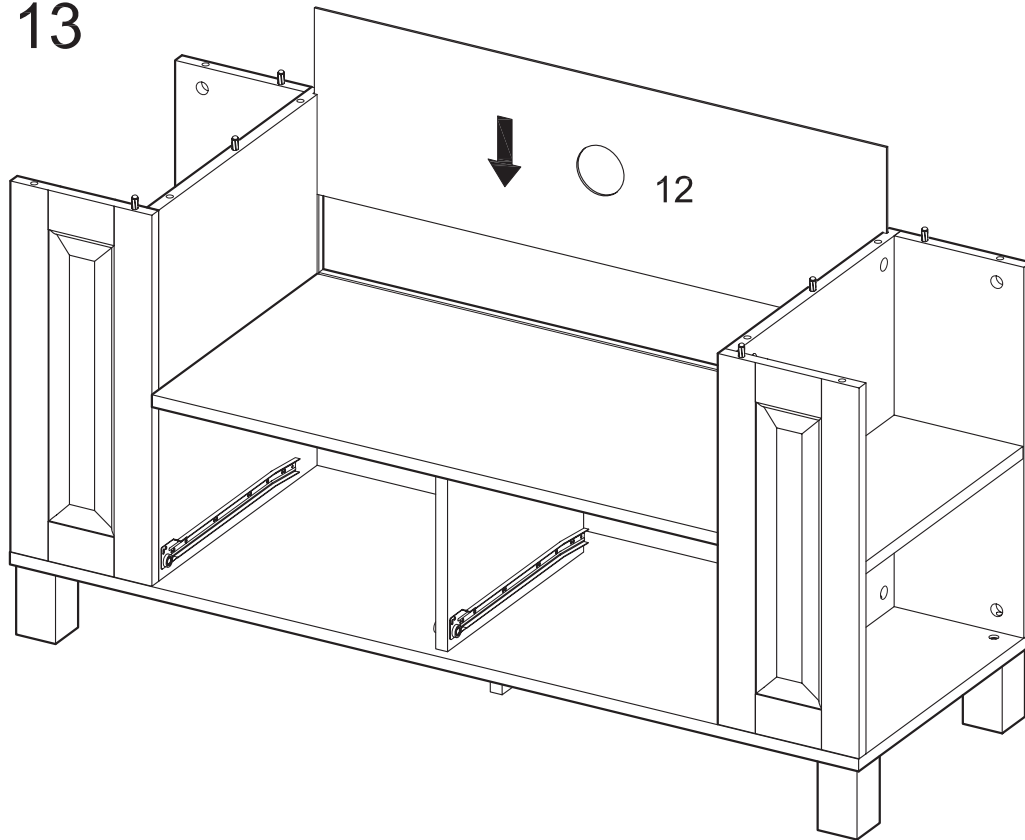
Attach the first panel (7,8,9) assembly to the stand assembly. *Ensure that panel (7) faces forward.* Insert large cam locks (C) into panels (7,8) and tighten with a screwdriver.

Step 12



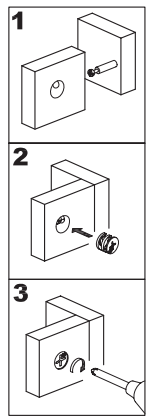
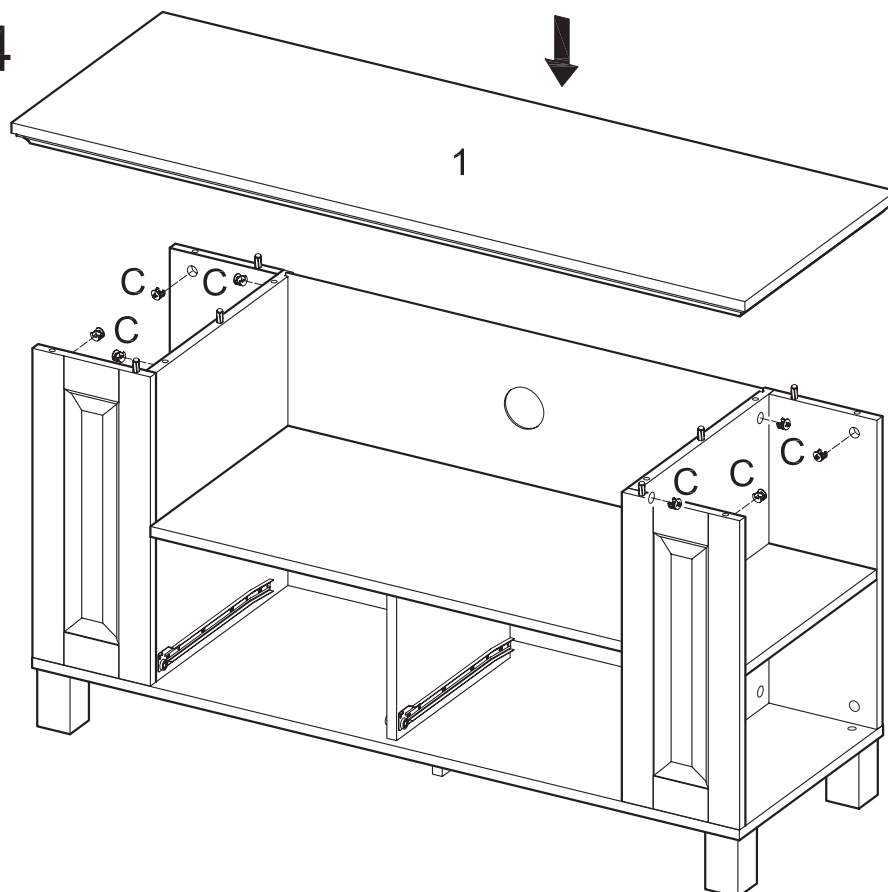
Attach the second panel (7,8,9) assembly to the stand assembly. *Ensure that panel (7) faces forward.* Insert large cam locks (C) into panels (7,8) and tighten with a screwdriver.

Step 13



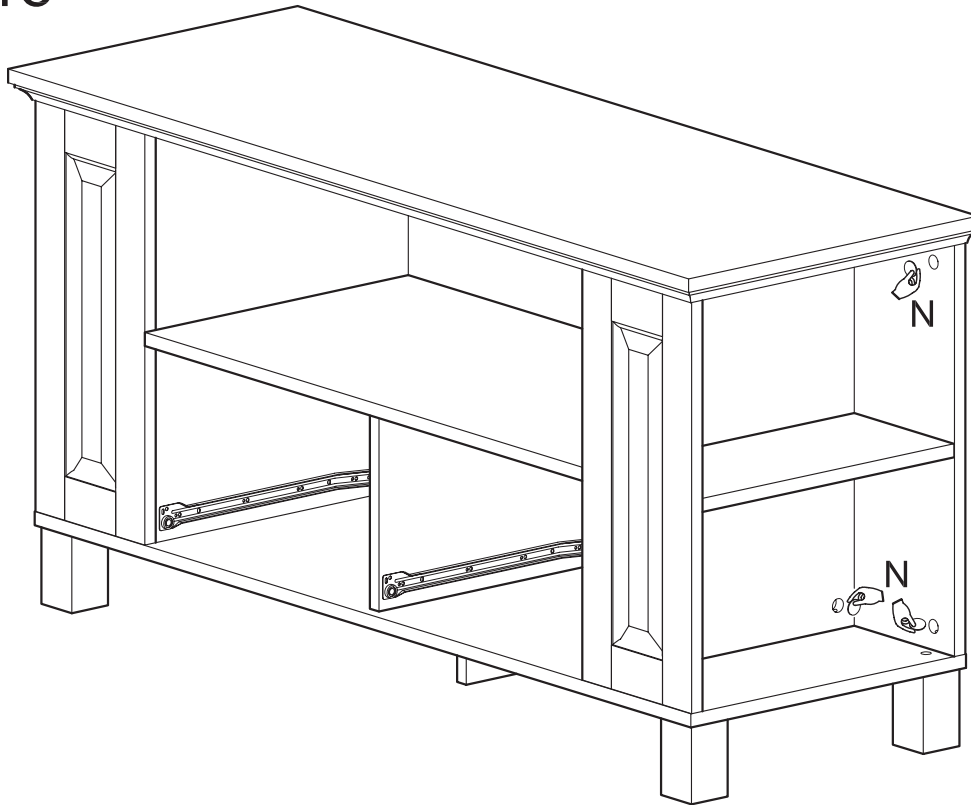
Slide back panel (12) into the grooves of the stand assembly.

Step 14



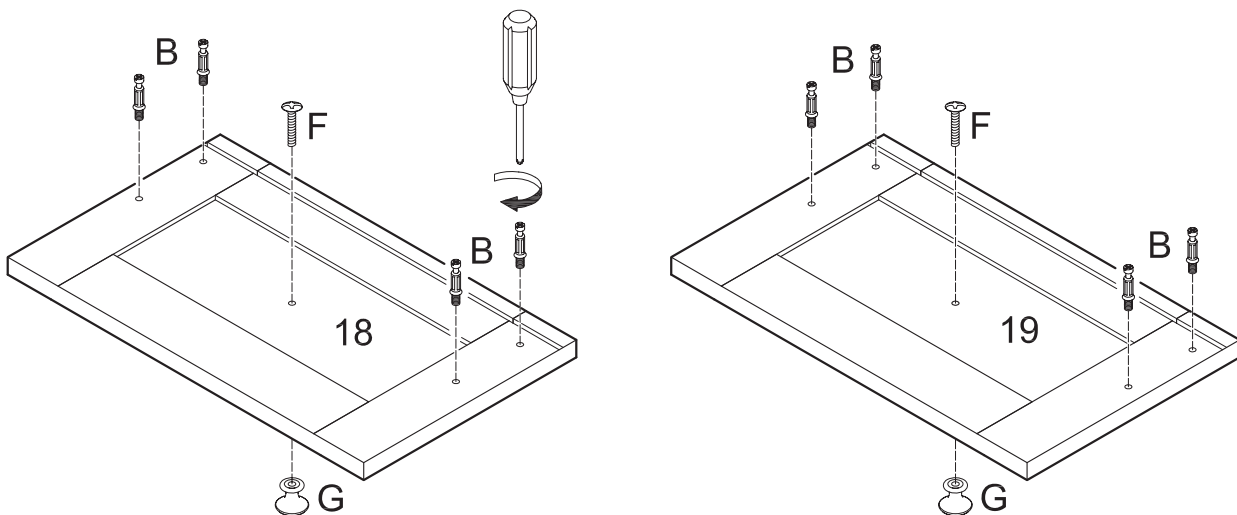
Insert large cam locks (C) into the stand assembly. Attach stand top (1) to the stand assembly using cam bolts and dowels as guides. Tighten large cam locks (C) with a screwdriver.

Step 15



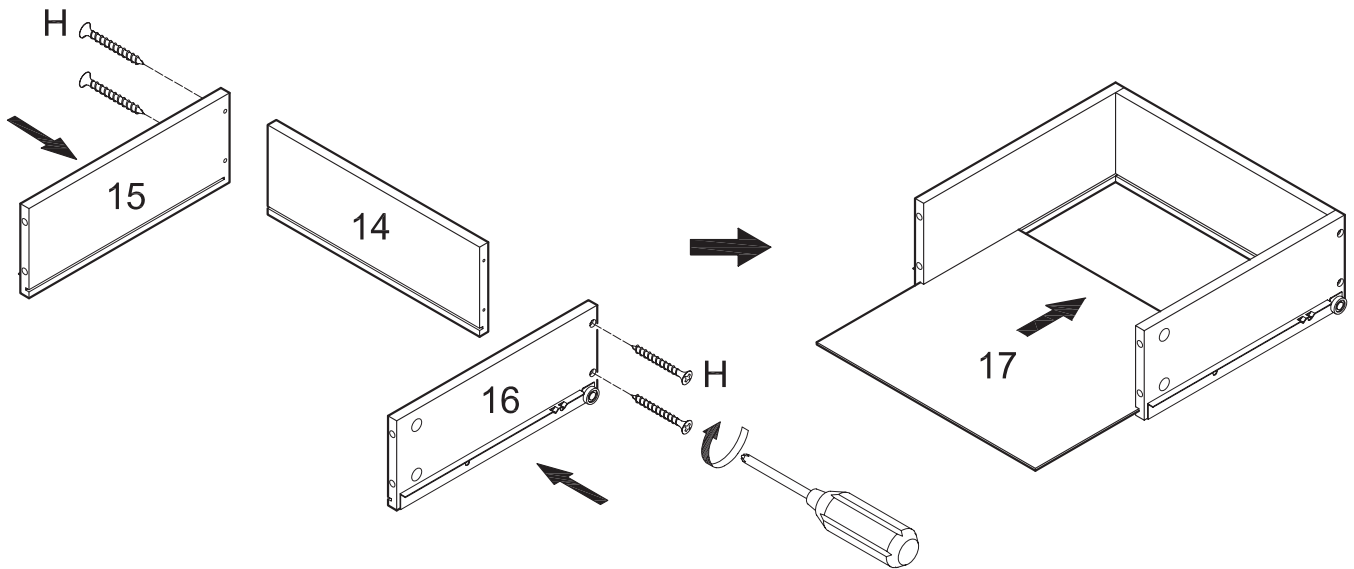
Cover all visible cam locks with stickers (N) as desired.

Step 16



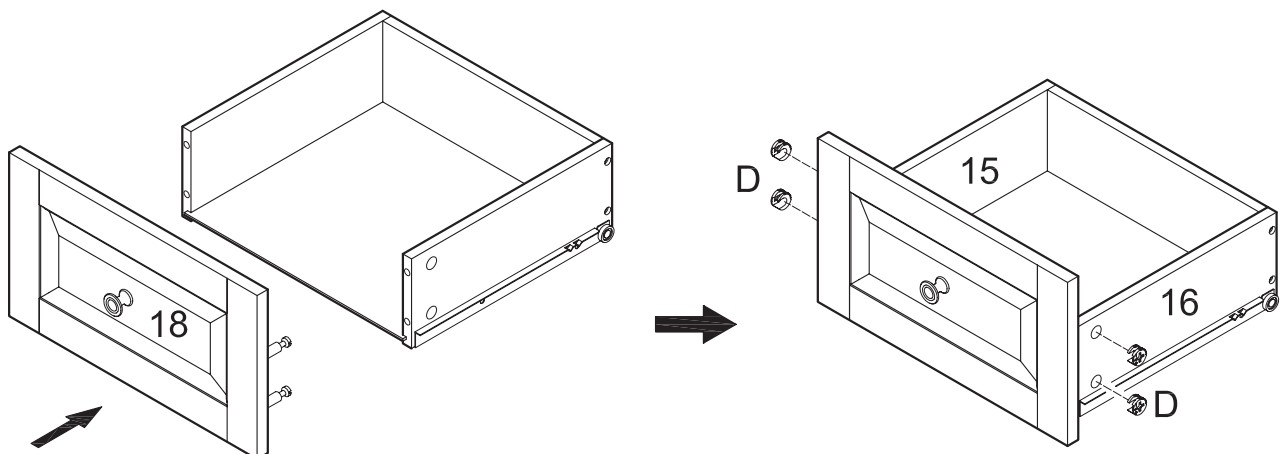
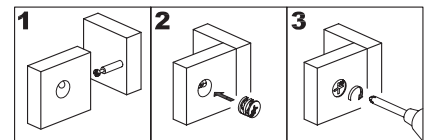
Screw cam bolts (B) into drawer fronts (18,19). Attach handles (G) to drawer fronts (18,19) using small bolts (F).

Step 17



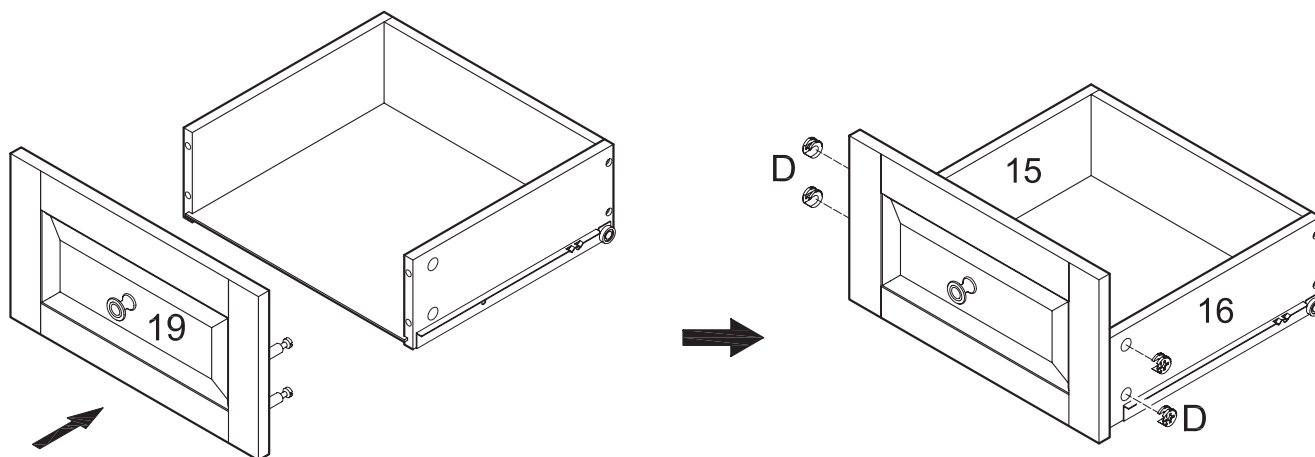
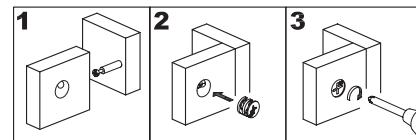
Attach drawer sides (15,16) to drawer back (14) using large screws (H). Slide drawer bottom (17) into the grooves of the drawer assembly. Repeat this step for the second drawer.

Step 18



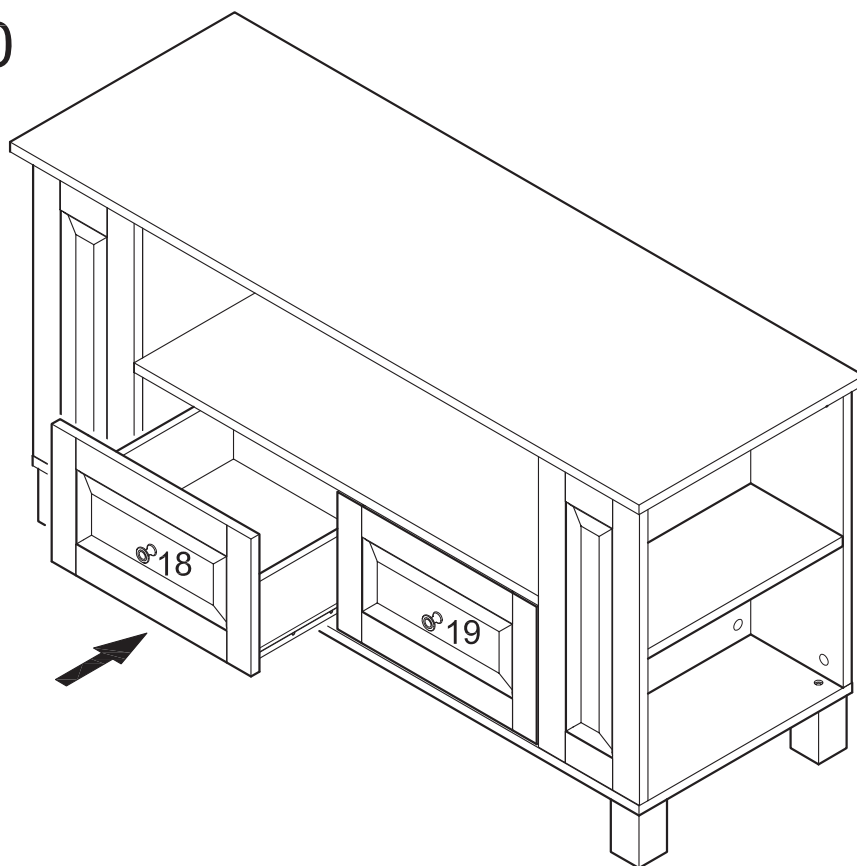
Attach drawer front (18) to the first drawer assembly using cam bolts as guides. Insert small cam locks (D) into drawer sides (15,16) and tighten with a screwdriver.

Step 19



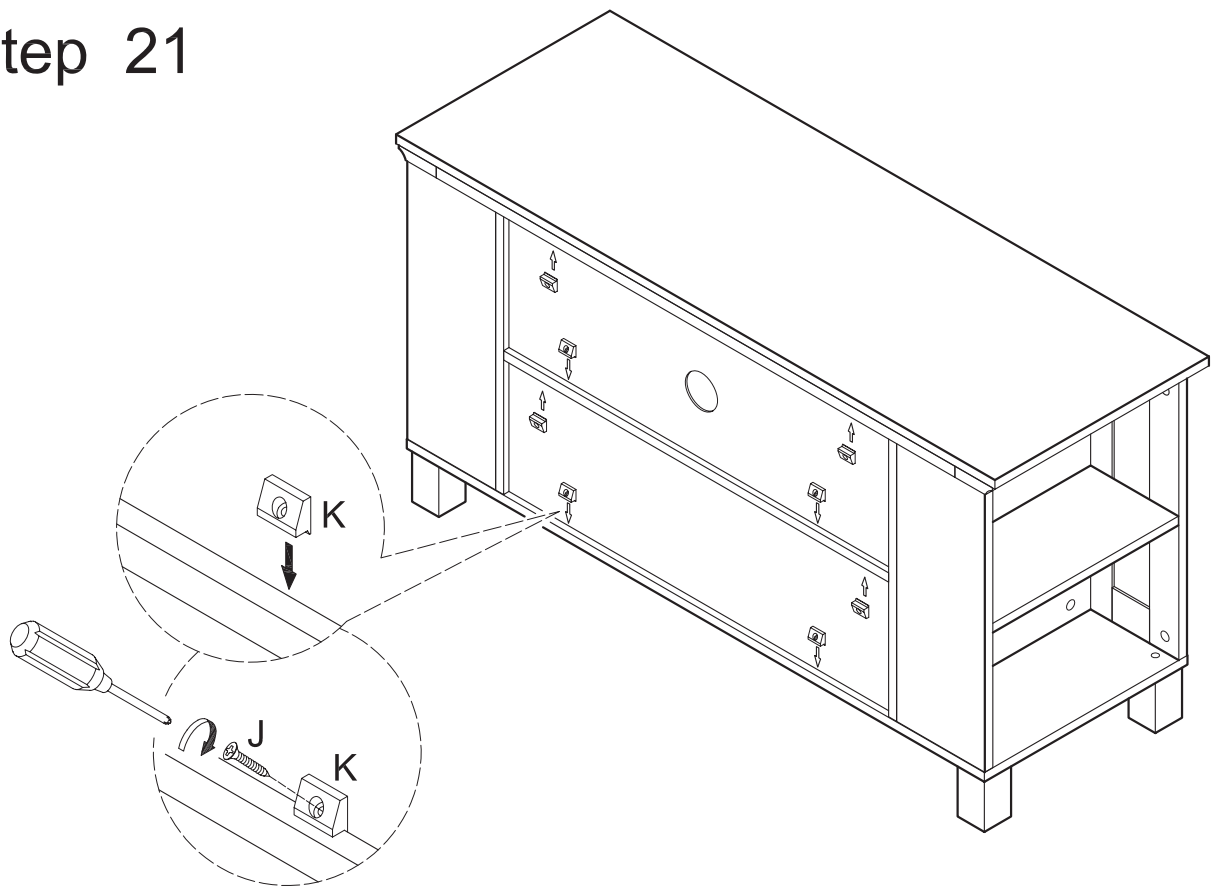
Attach drawer front (19) to the second drawer assembly using cam bolts as guides. Insert small cam locks (D) into drawer sides (15,16) and tighten with a screwdriver.

Step 20



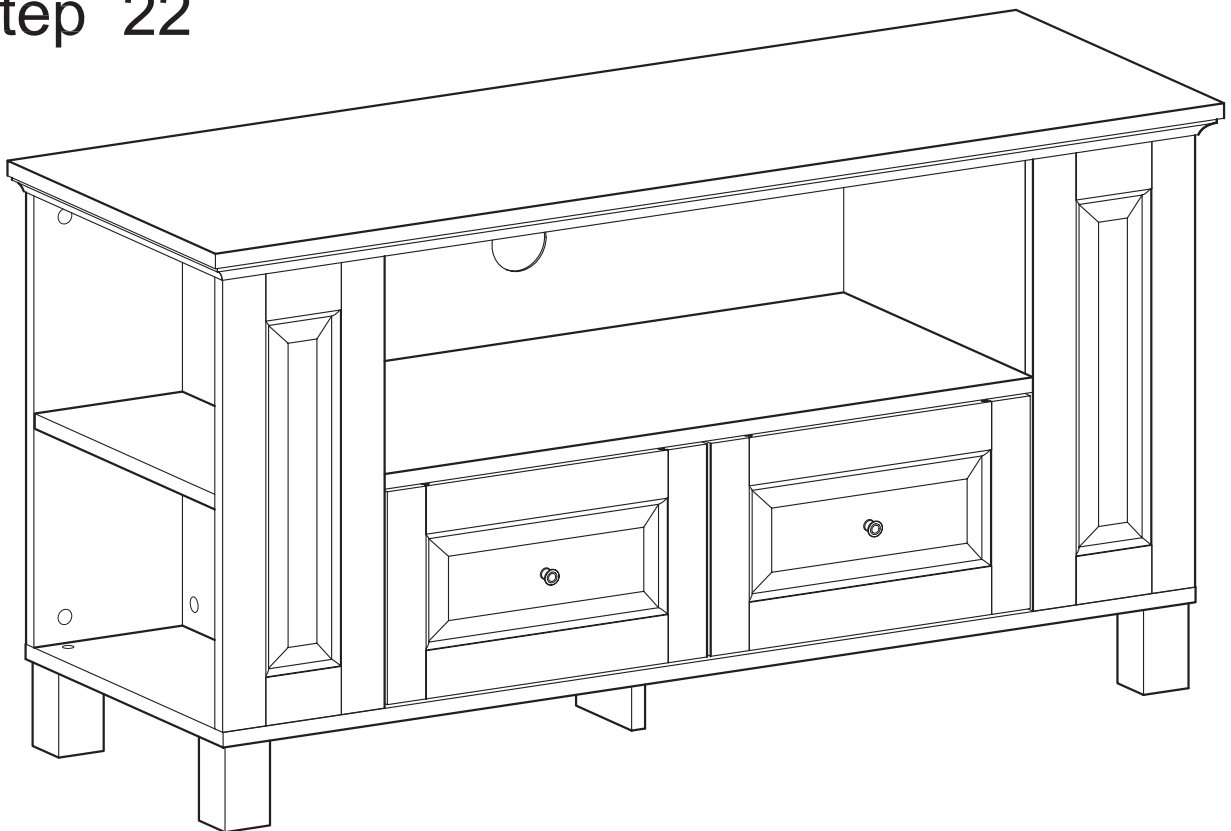
Carefully slide drawers into the stand assembly.

Step 21



Secure back panels (12,13) using plastic wedges (K) and small screws (J).

Step 22



Final Assembly