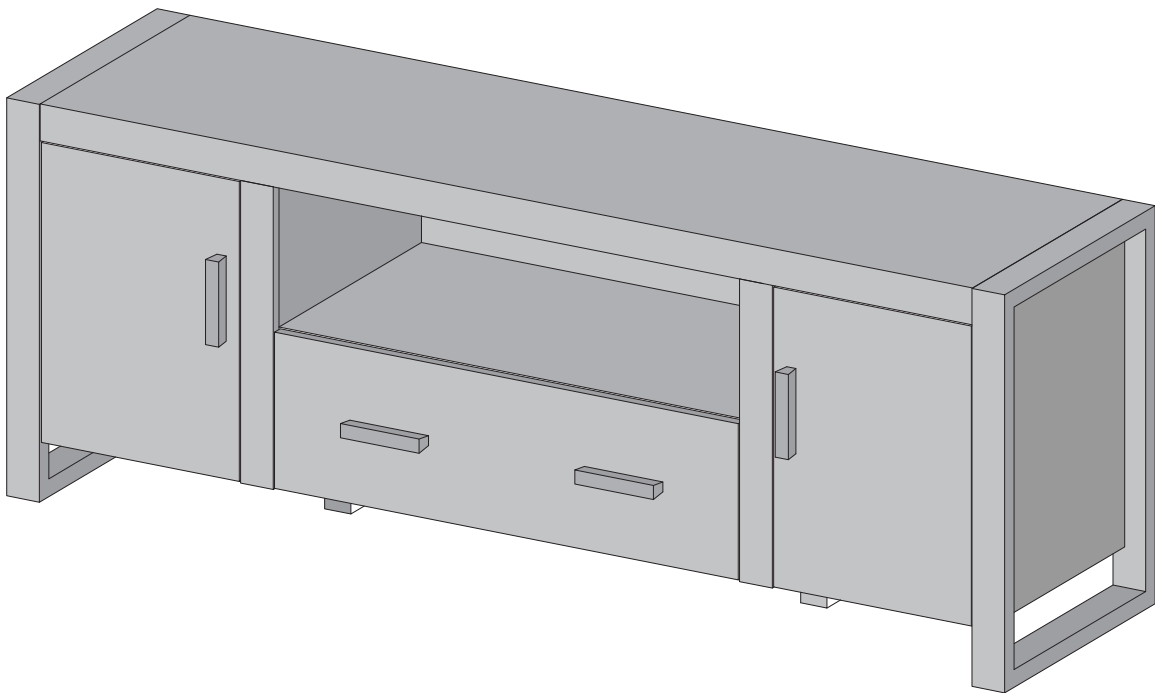


W Walker
E Edison
furniture company

Item # :W60UBC22
Assembly Instructions

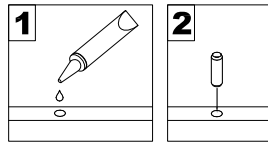


For our most current instructions, to request missing, lost or broken parts, or for any other Customer Service issues, please visit our website at www.walkeredison.com or call us at 877-207-5906.

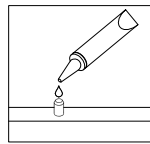
Revised 06/2014

General Assembly Guidelines

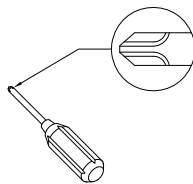
- I. Ensure that all parts and hardware are available before beginning assembly.
- II. Follow each step carefully to ensure the proper assembly of this product.
- III. Two people are recommended for ease in the assembly of this product.
- IV. The three main types of hardware used to assemble this product are : wood dowels , screws and bolts.
- V. The provided glue is to secure wood dowels in place . When first inserting dowels , locate the appropriate hole for the dowel , place a small amount of glue in the hole and insert the dowel . Wipe away excess glue immediately.



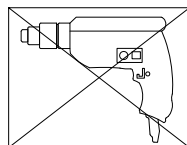
In future assembly steps when dowels are necessary to attach assembly parts together , place a small amount of glue on the end of the dowel before attaching parts together . Wipe away excess glue immediately.



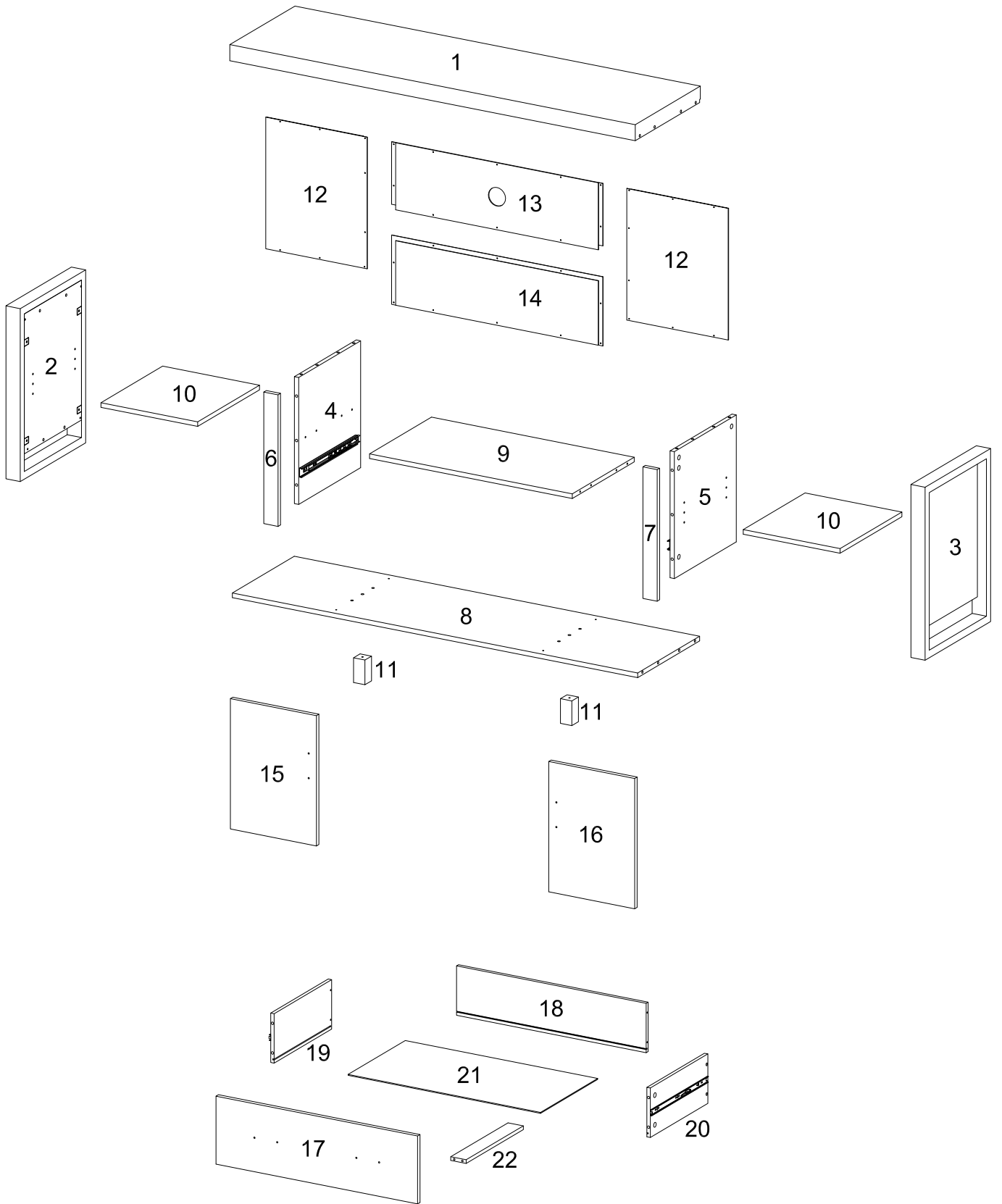
- VI. A Phillips head screwdriver is required for the assembly of this product .








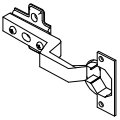


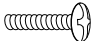

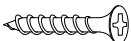
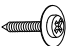


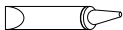
- VII. Power tools should not be used to assemble this product .

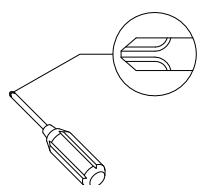


Parts List



Hardware List

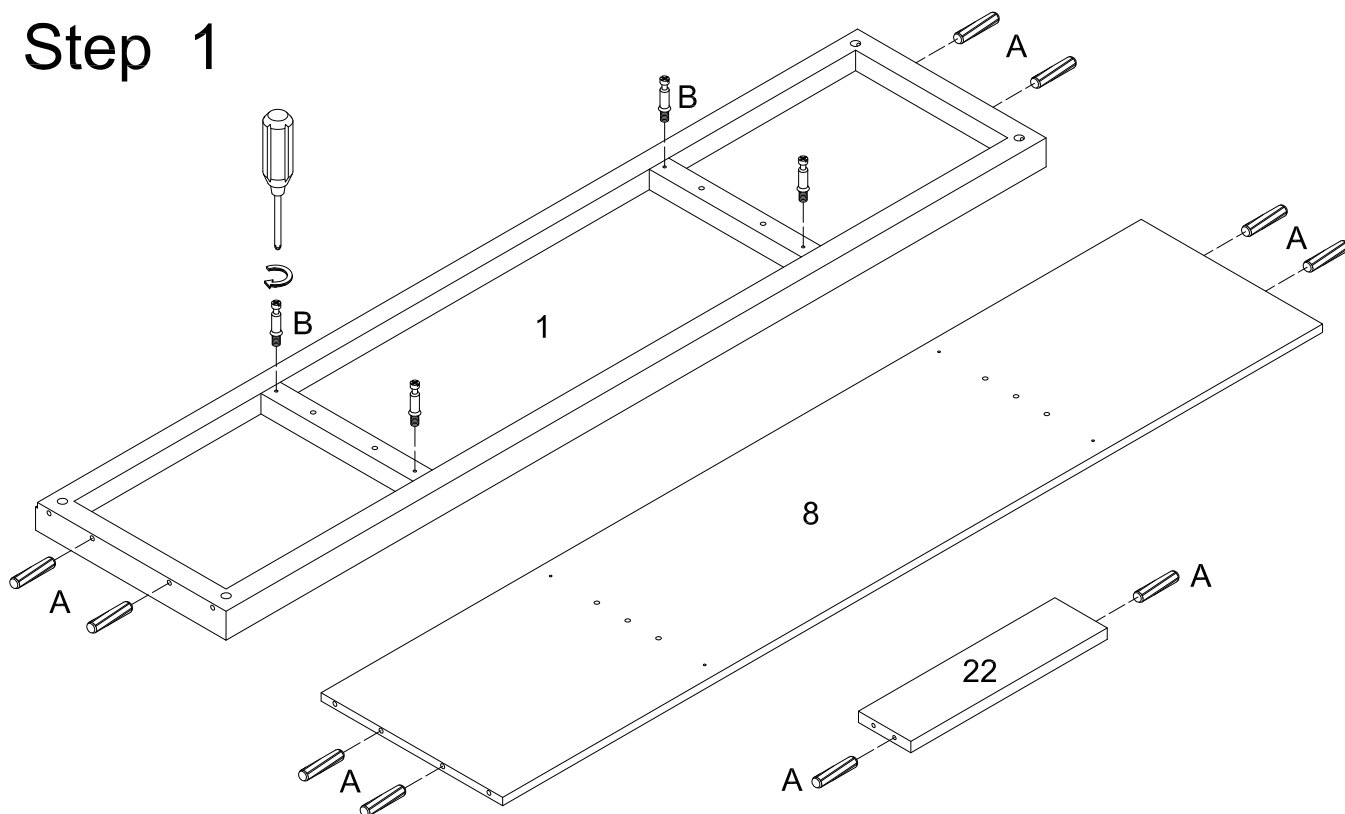
A		Ø8x30mm	Wooden dowel	24 pcs
B			Cam bolt	25 pcs
C		Ø15x11mm	Cam lock	21 pcs
D		Ø15x9.5mm	Cam lock	4 pcs
E		Ø6x50mm	Bolt	6 pcs
F			Hinge	4 pcs
G		Ø3.5x15mm	Screw	16 pcs
H			Handle	4 pcs
J		Ø4x22mm	Bolt	8 pcs
K		Ø8x5x16mm	Shelf support pin	8 pcs
L		Ø8x4x38mm	Screw	5 pcs
M		Ø7x3x12mm	Screw	25 pcs
N			Wrench	1 pc
P			Sticker	25 pcs
Q			Glue tube	2 pcs



Philips head screwdriver required for assembly
(not included)

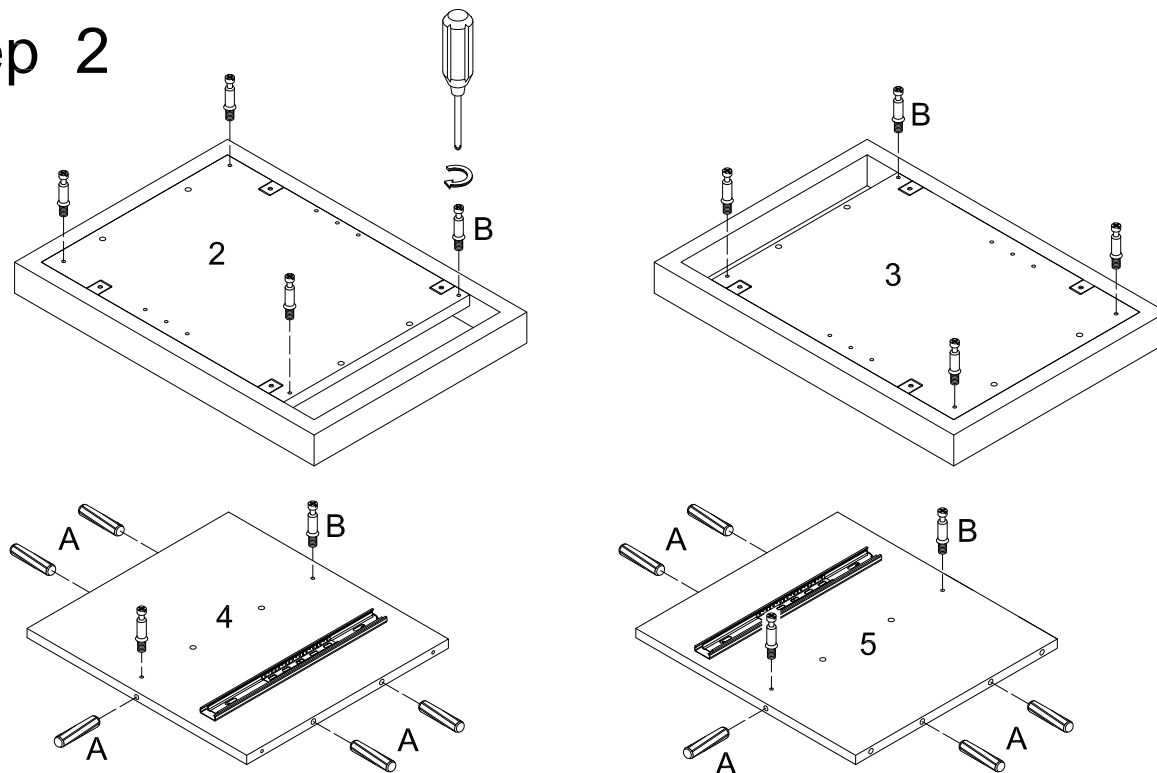
*The hardware quantities listed above are required for proper assembly.
Some extra hardware may also have been included.*

Step 1



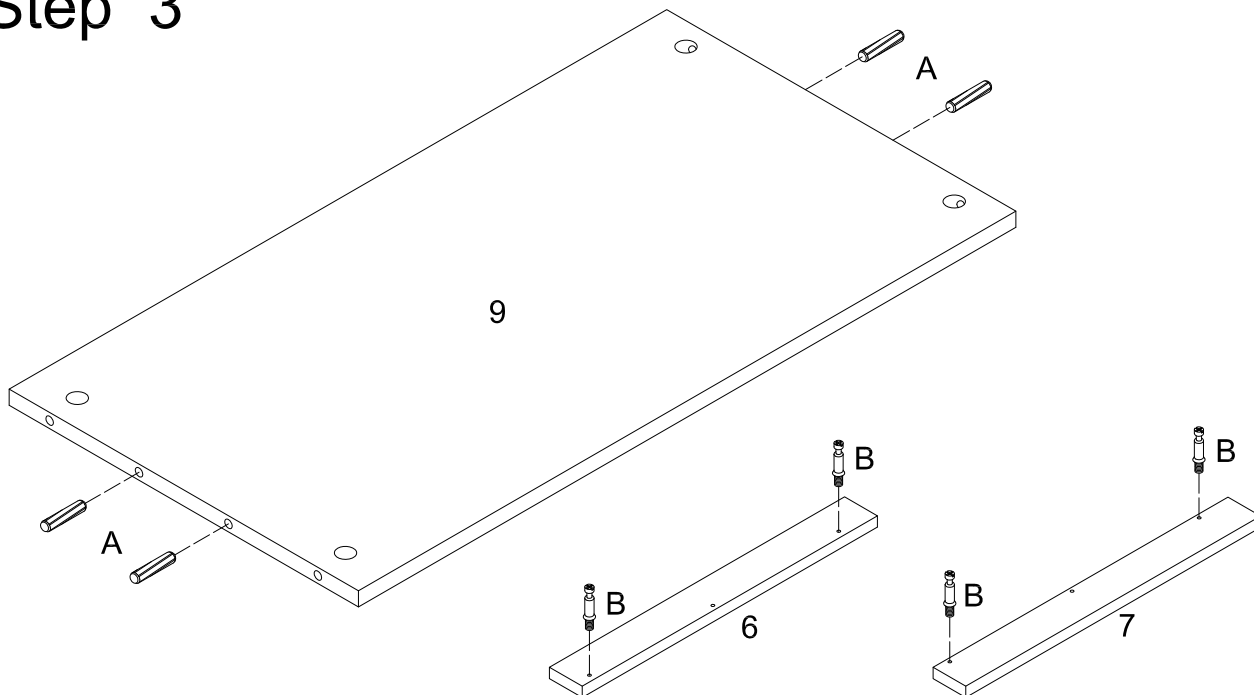
Secure cam bolts (B) into top panel (1). Insert wooden dowels (A) into bottom panels (1,8,22).

Step 2



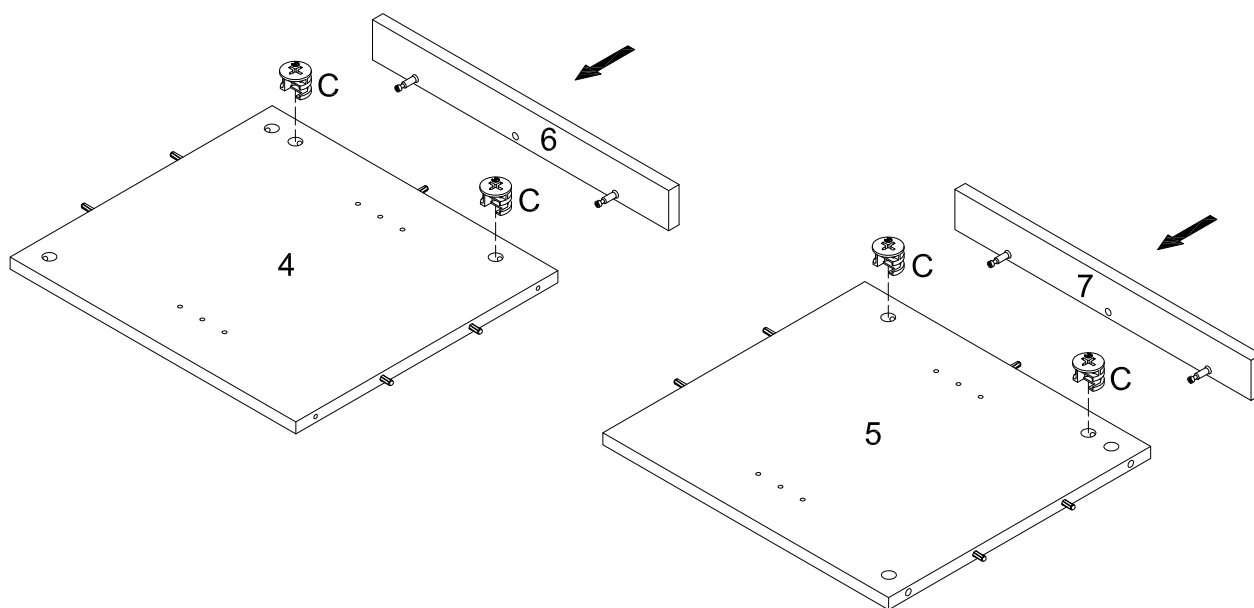
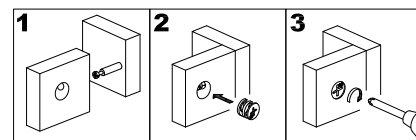
Secure cam bolts (B) into side panels (2, 3, 4, 5). Insert wooden dowels (A) into side panels (4,5).

Step 3



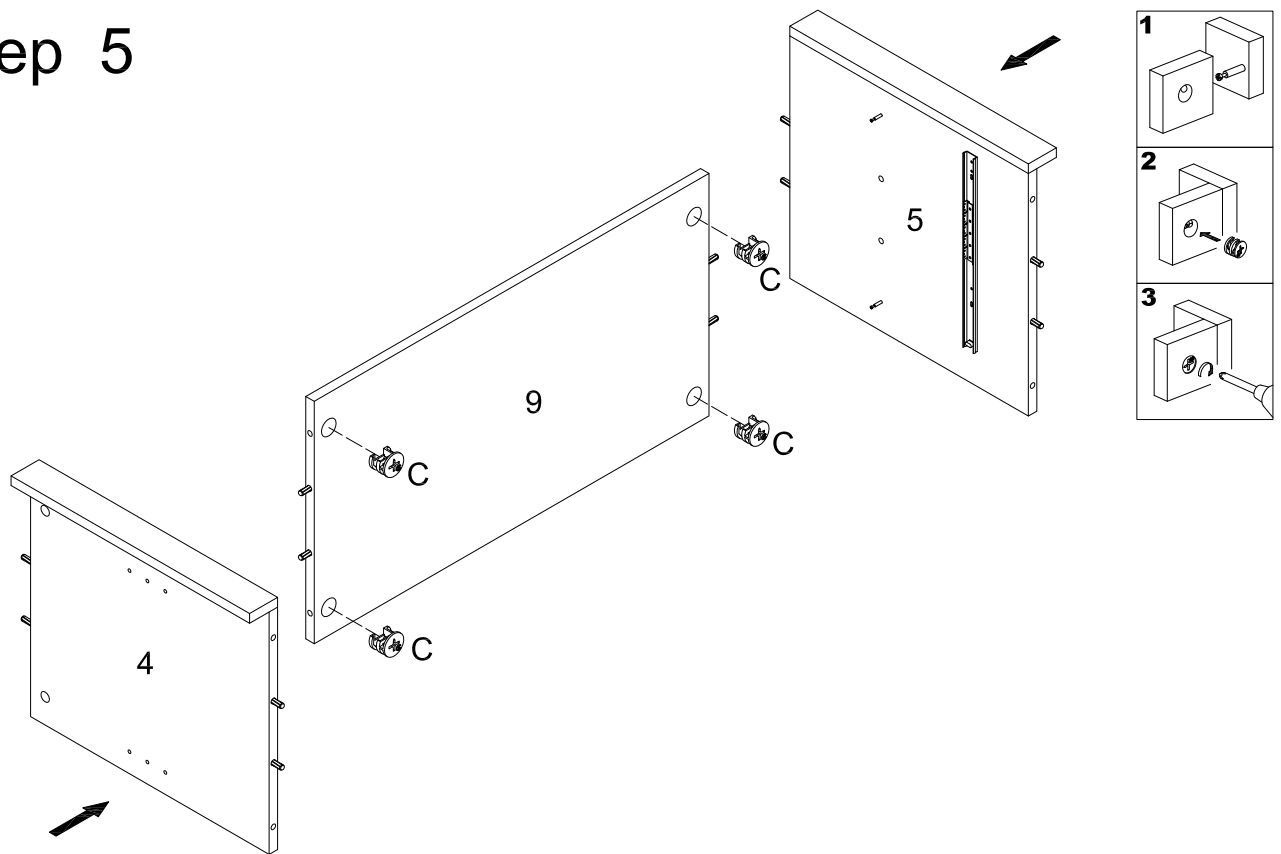
Insert wooden dowels (A) into panel (9). Secure cam bolts (B) into panels (6, 7).

Step 4



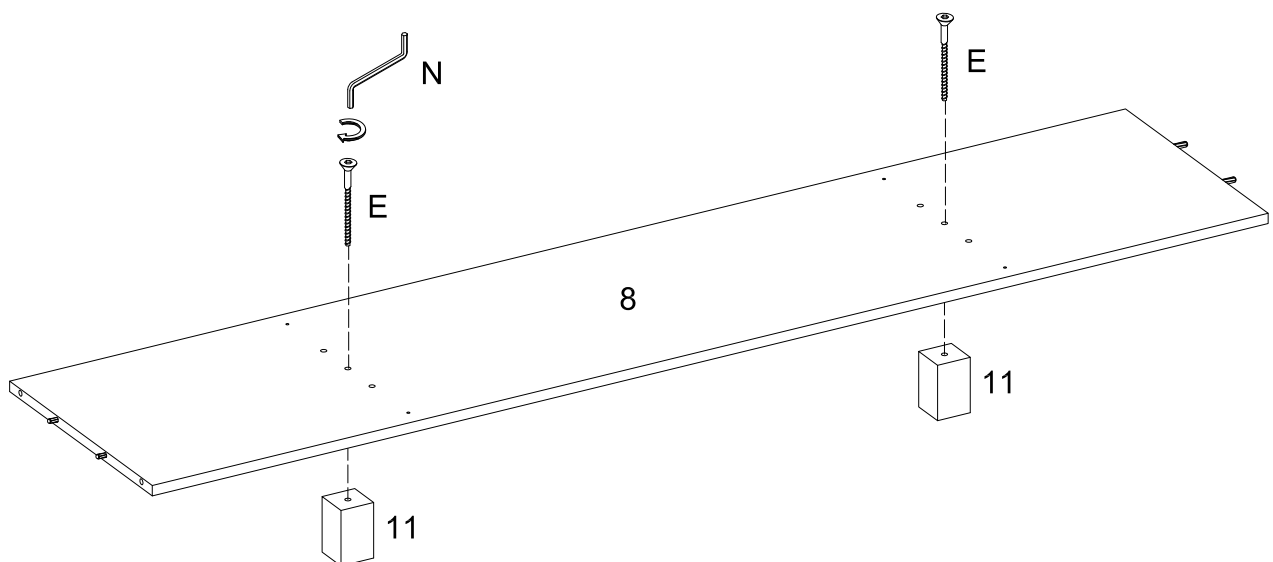
Attach panel (6) to panel (4) using cam locks (C). Attach panel (7) to panel (5) using cam locks (C).

Step 5



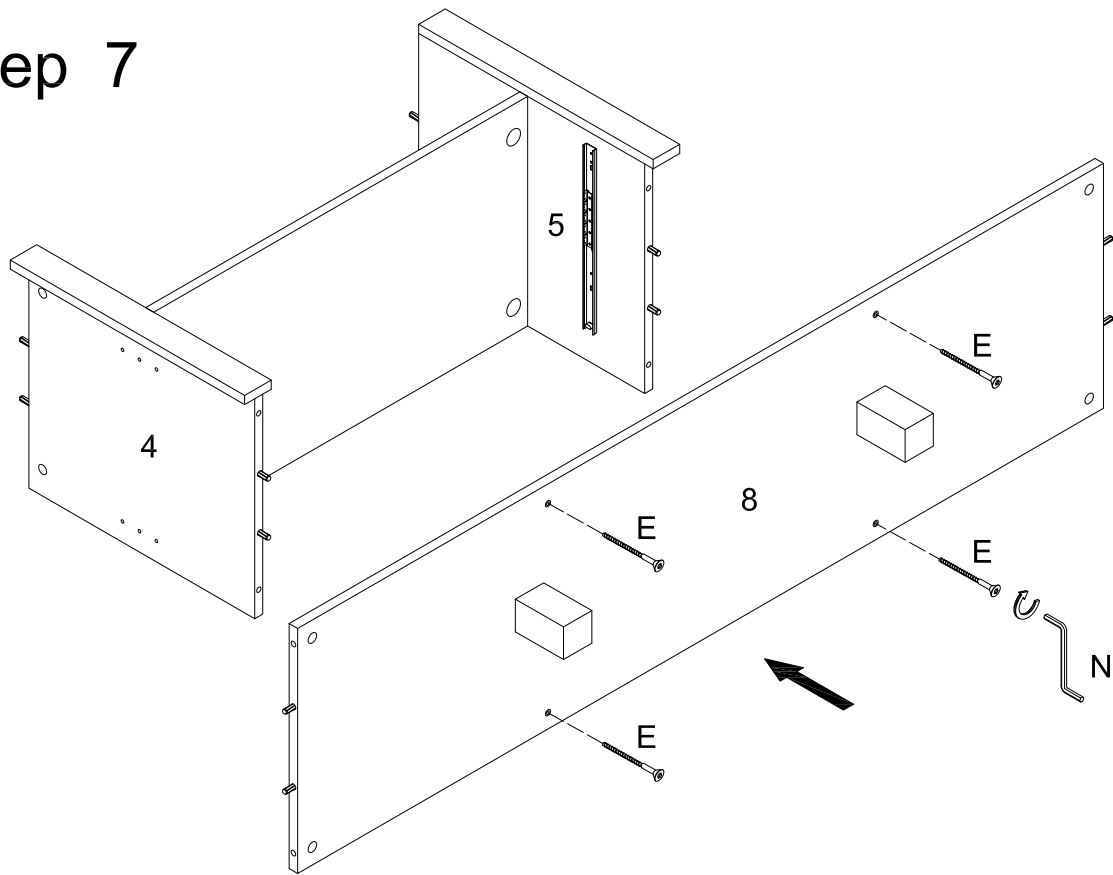
Attach side panels (4, 5) to shelf panel (9) using cam locks (C).

Step 6



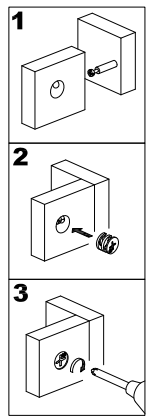
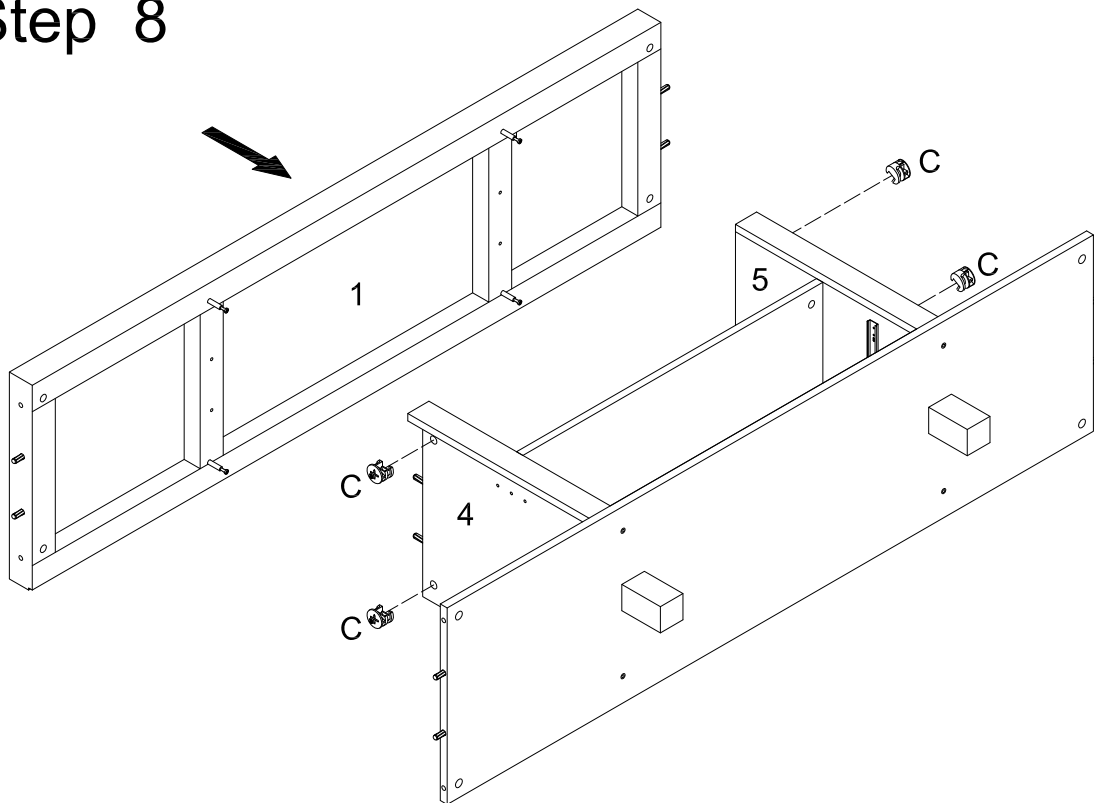
Secure legs (11) to bottom panel (8) using screws (E).

Step 7



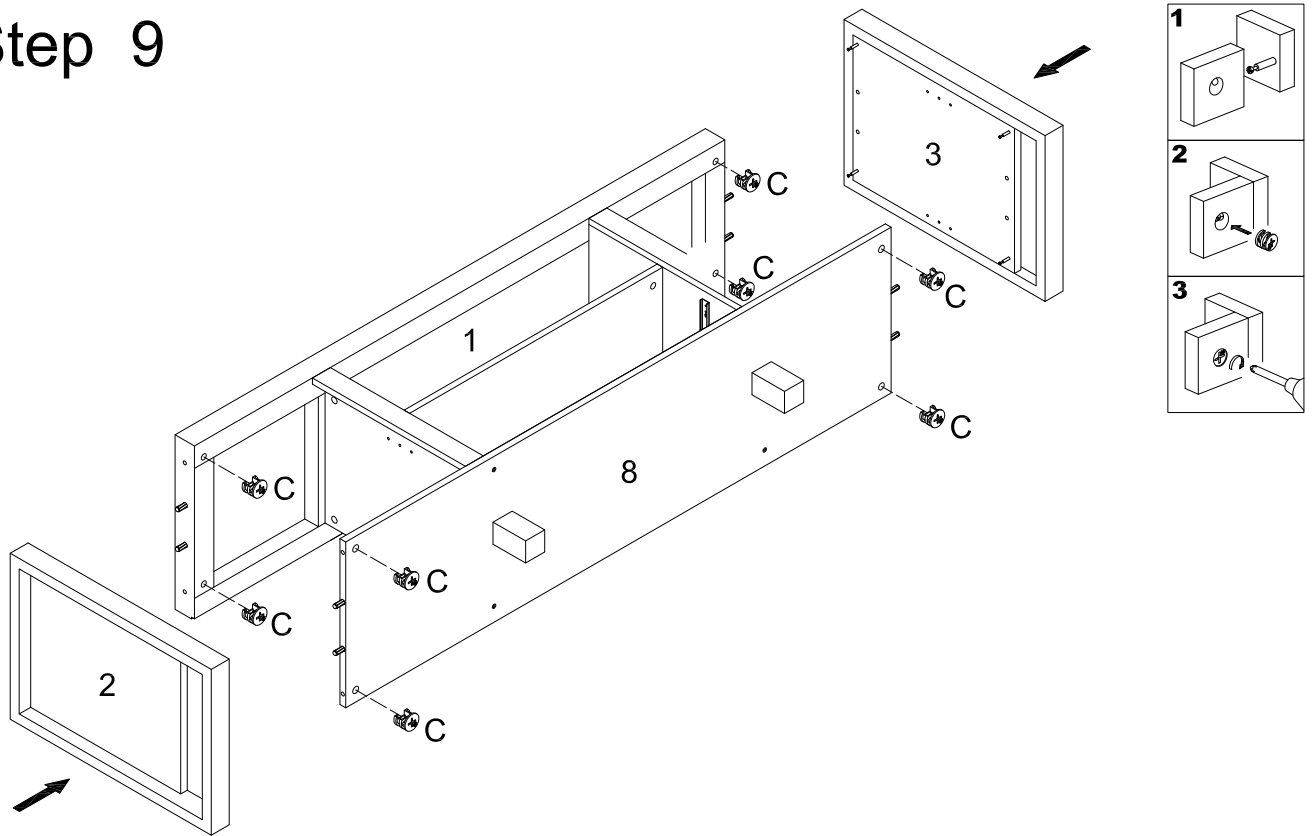
Attach side panels (4,5) to bottom panel (8) using screws (E).

Step 8



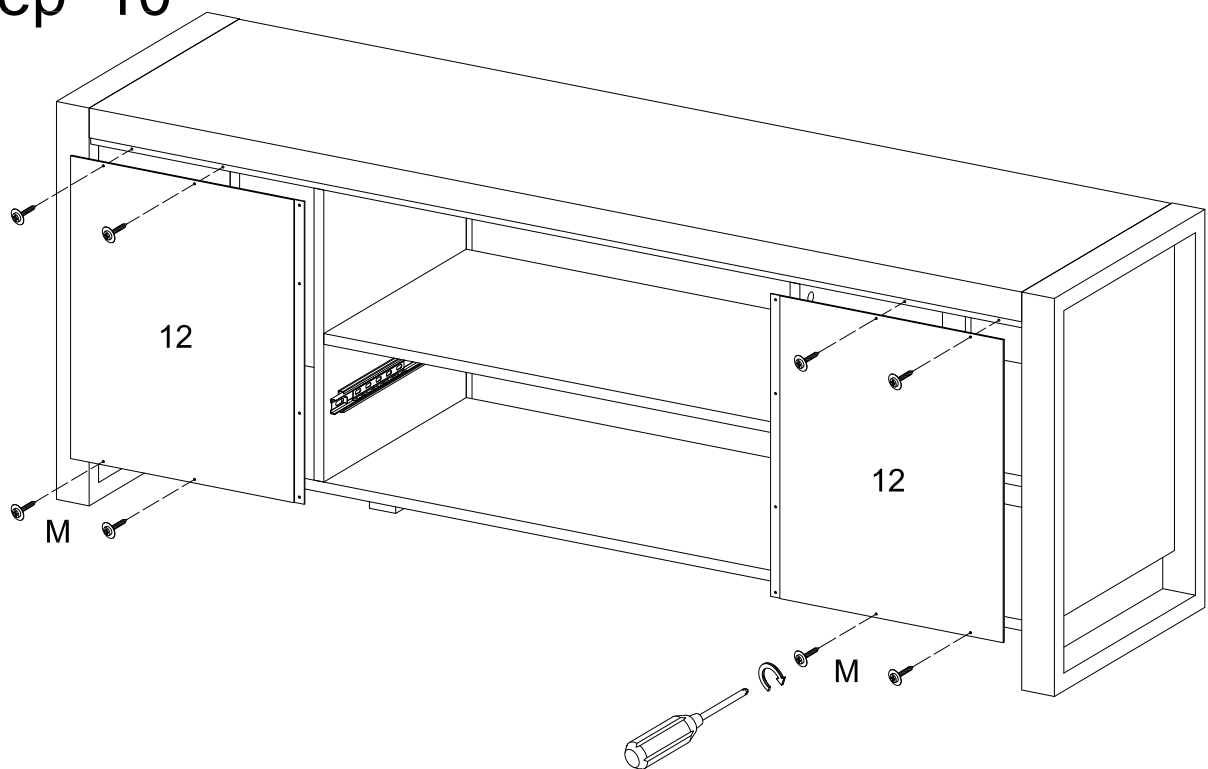
Attach top panel (1) to side panels (4,5) using cam locks (C).

Step 9



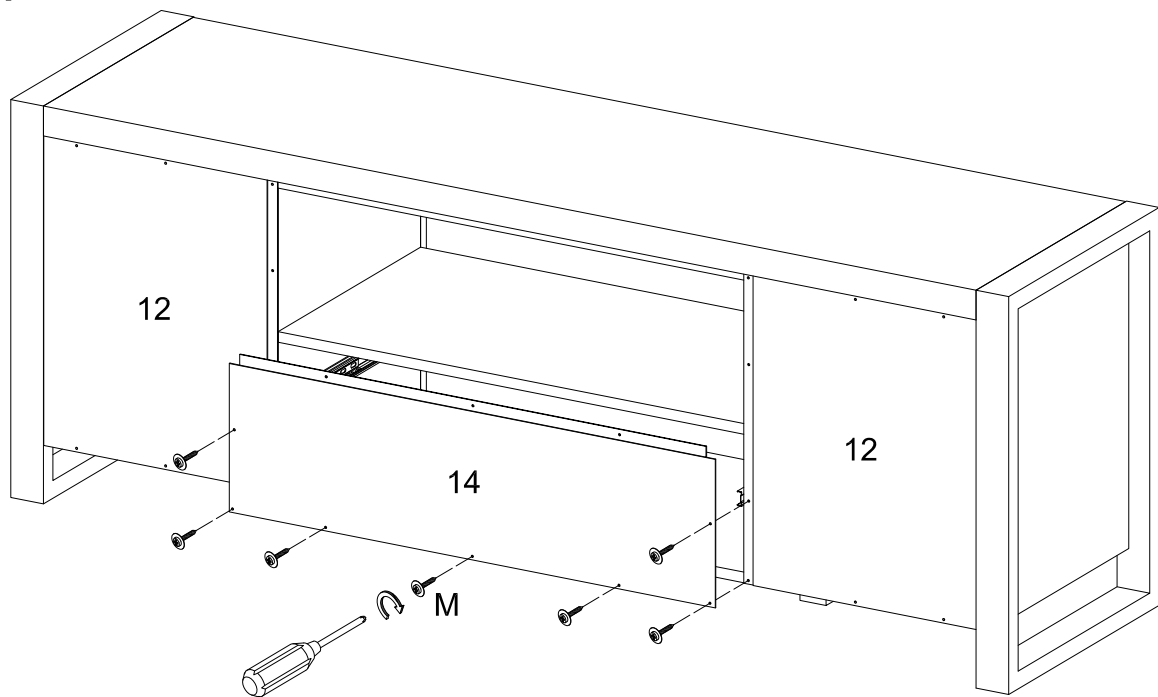
Attach side panels (2,3) to assembled unit using cam locks (C).

Step 10



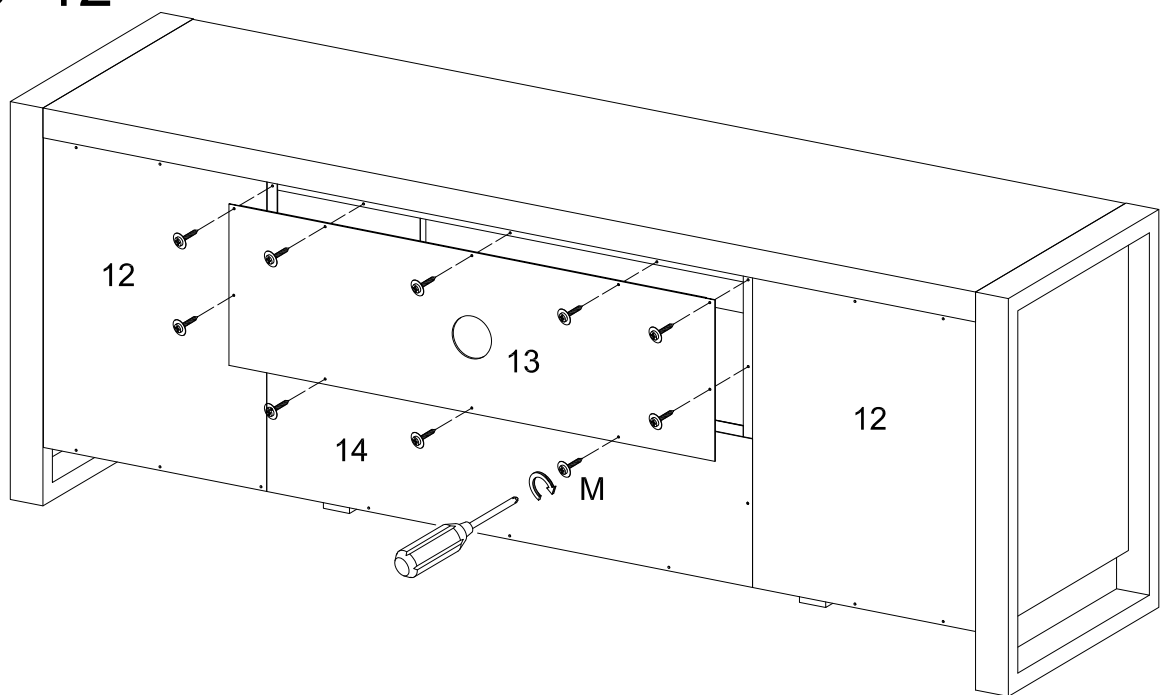
Secure back panels (12) using screws (M).

Step 11



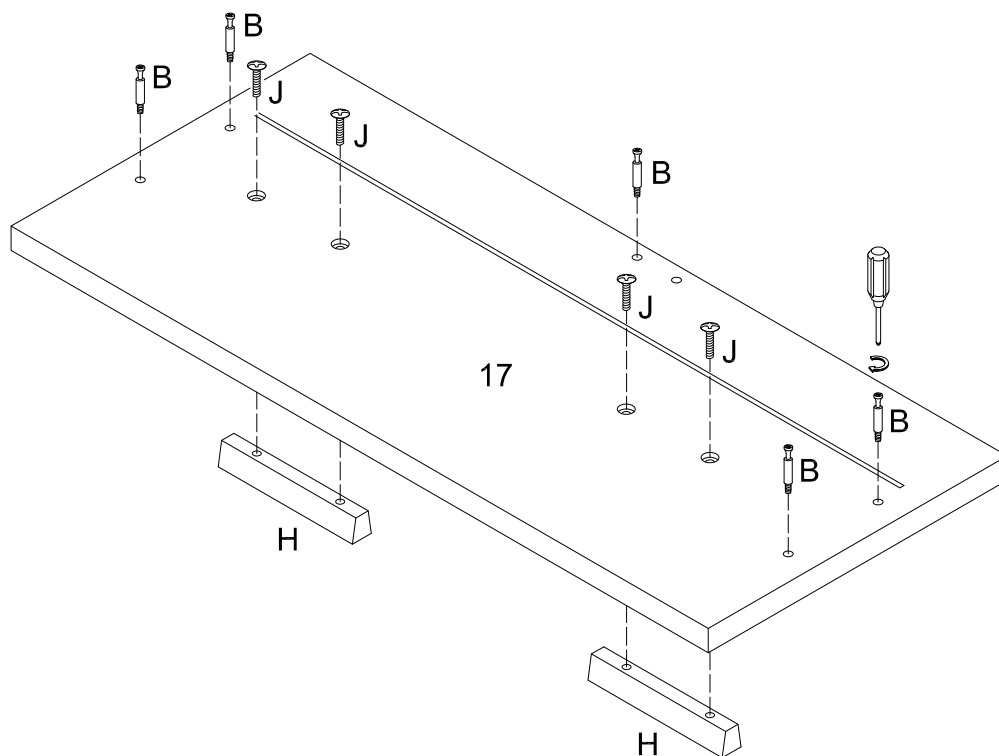
Secure back panel (14) using screws (M).

Step 12



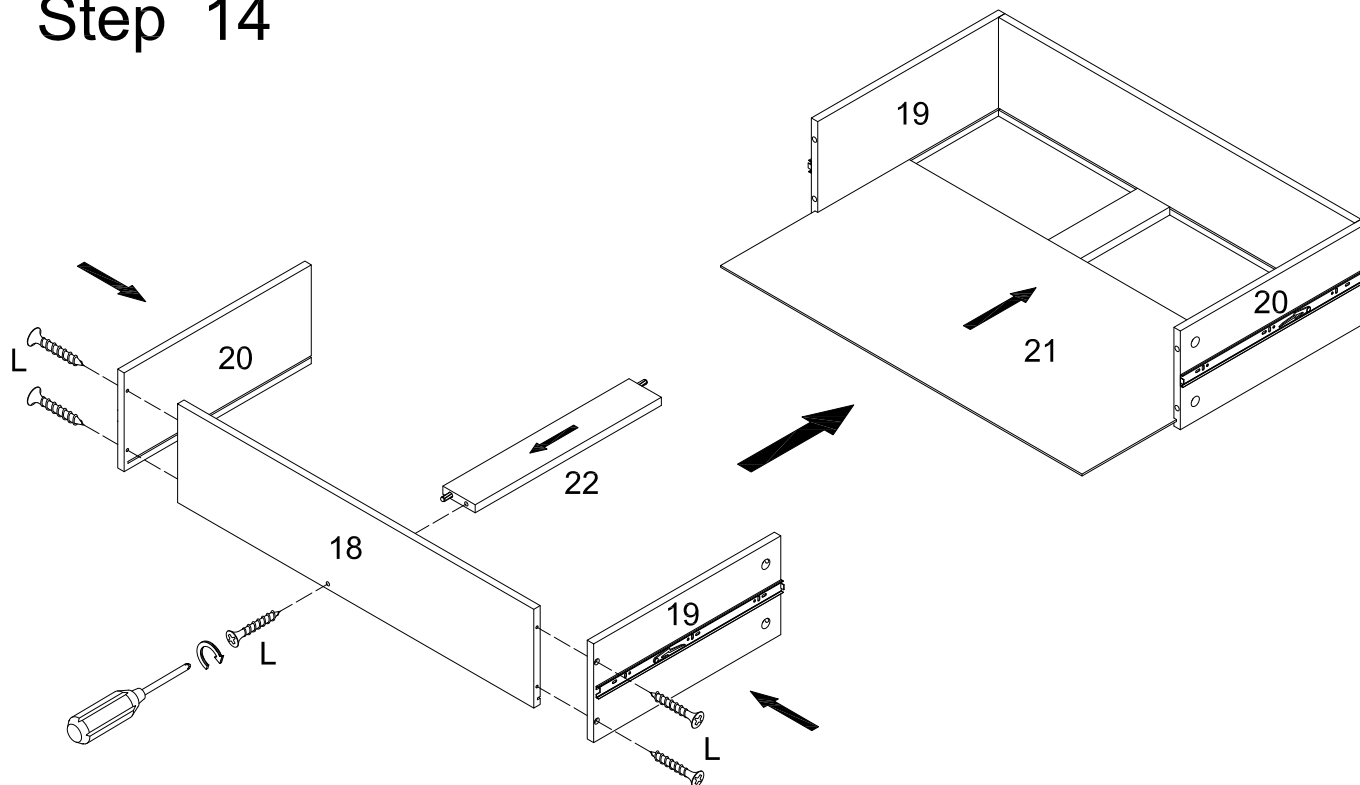
Secure back panel (13) using screws (M).

Step 13



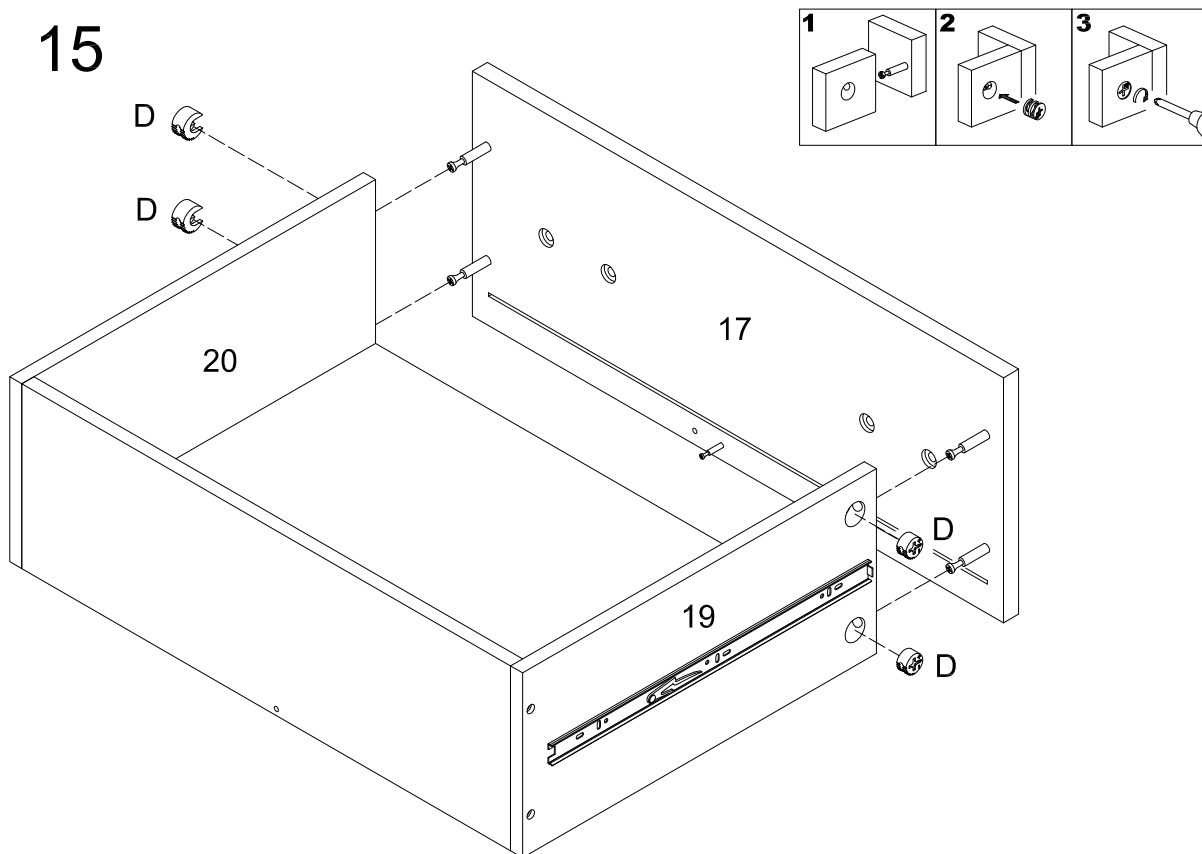
Secure cam bolts (B), attach handles (H) to panel (17) using bolts (J).

Step 14



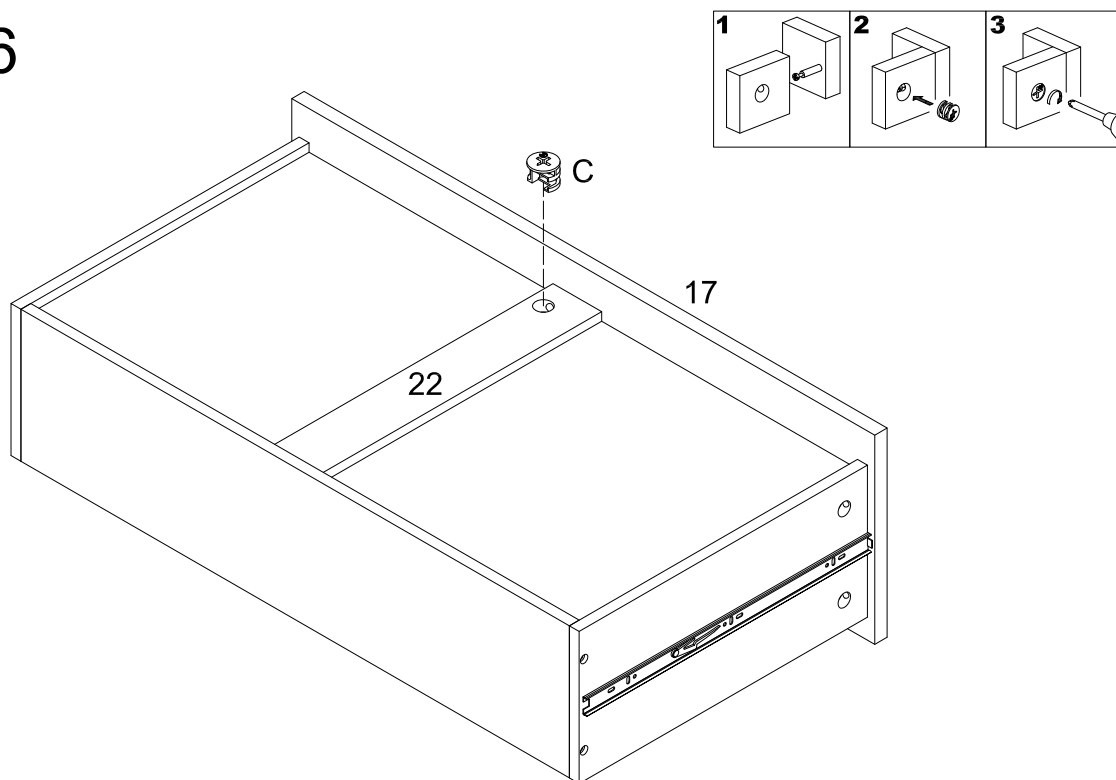
Attach panels (19, 20) to panel (18) using screws (L). Attach support bar (22) to panel (18) using screw (L). Carefully slide panel (21) into the thin grooves as shown in the diagram.

Step 15



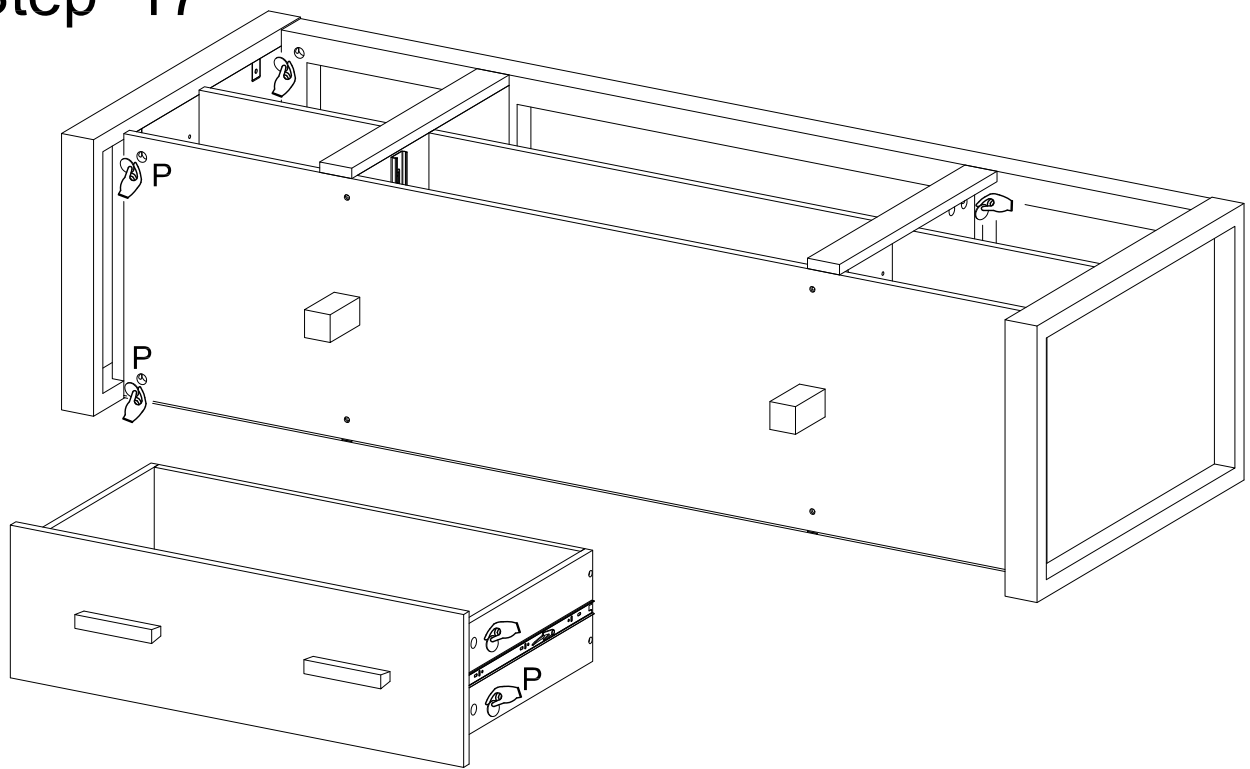
Attach panel (17) to drawer assembly using cam locks (D).

Step 16



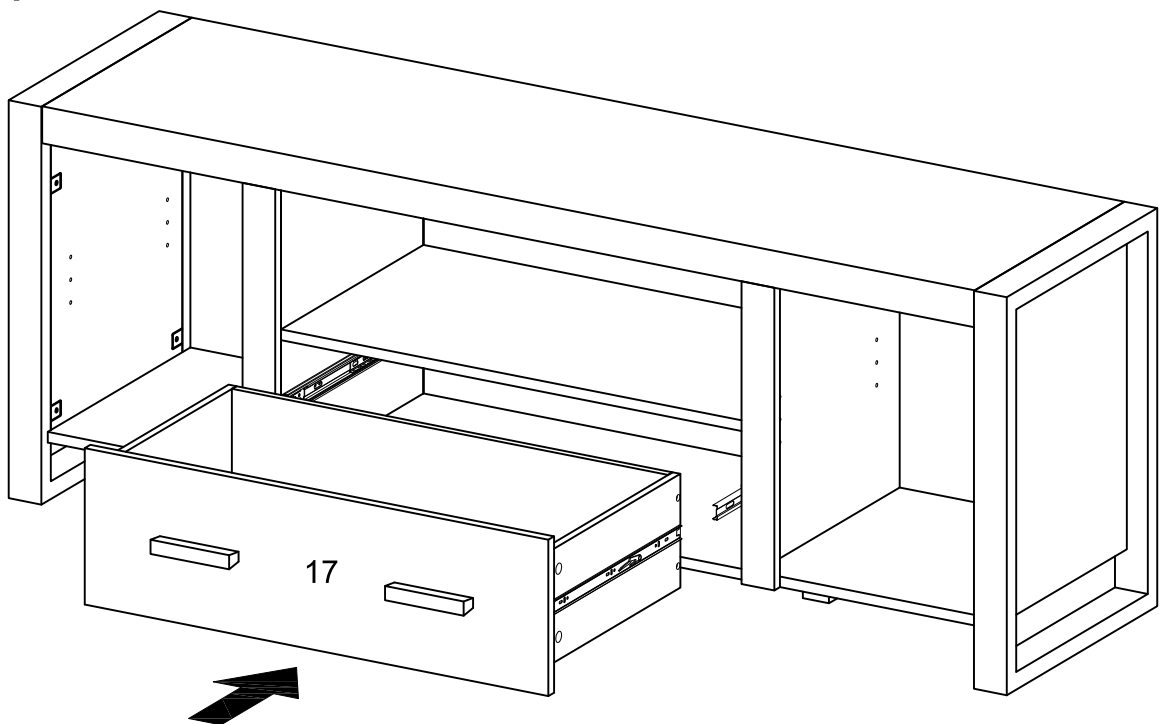
Secure support bar (22) to panel (17) using cam lock (C).

Step 17



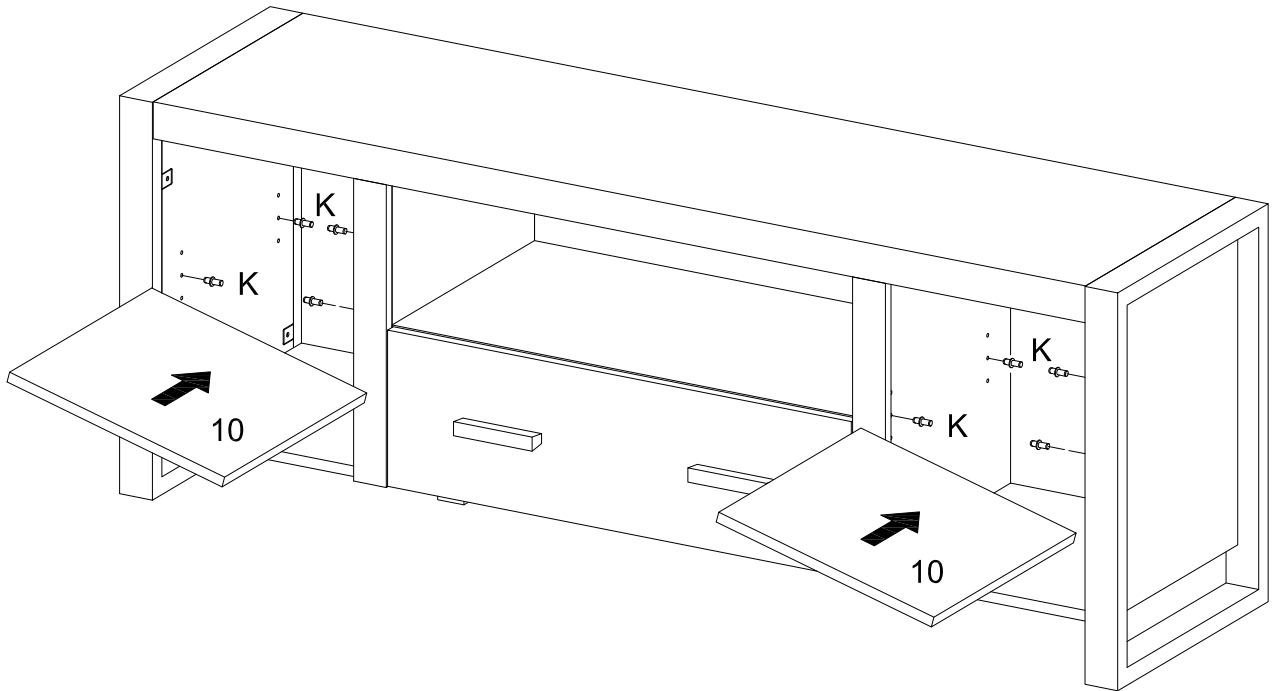
Cover all cam locks using stickers (P).

Step 18



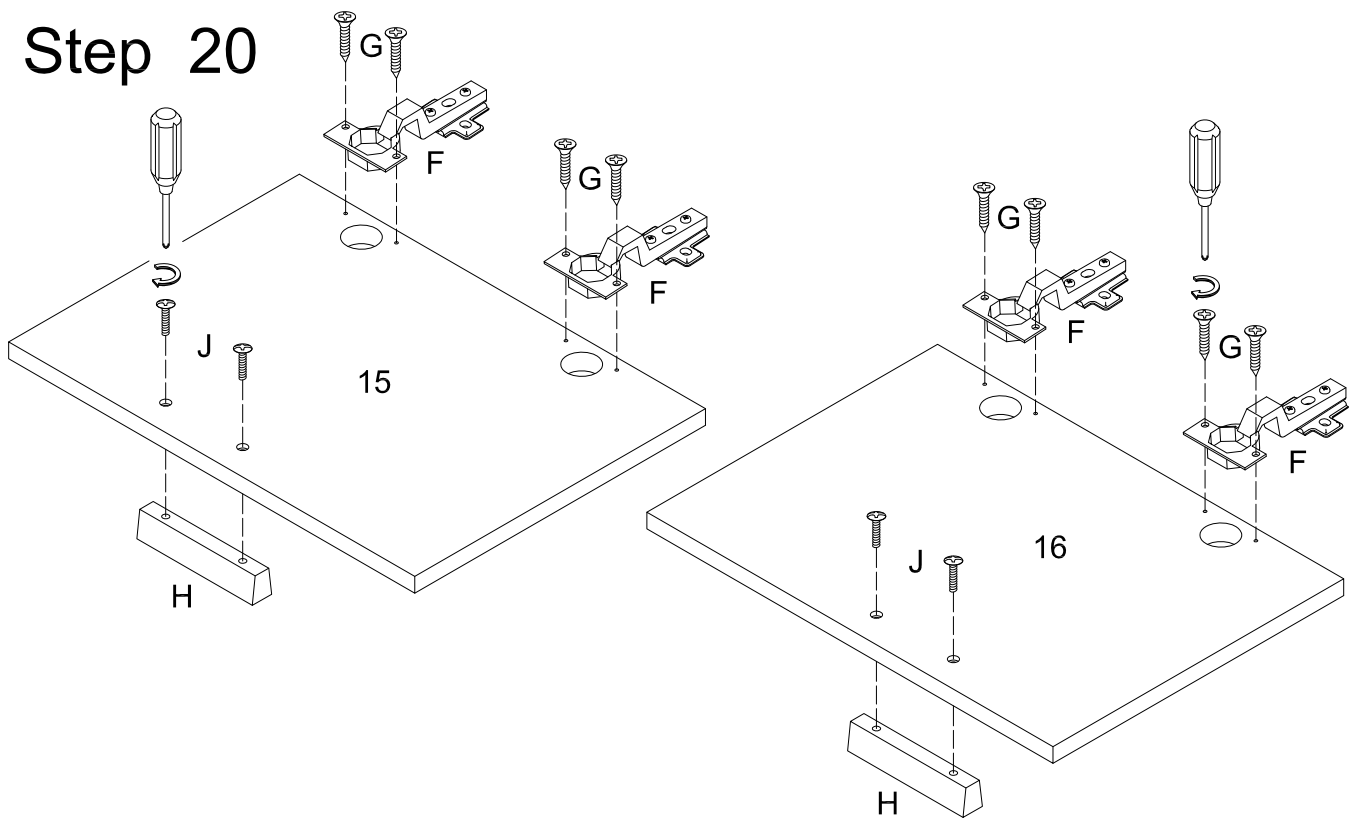
Carefully insert drawer assembly into assembled unit.

Step 19



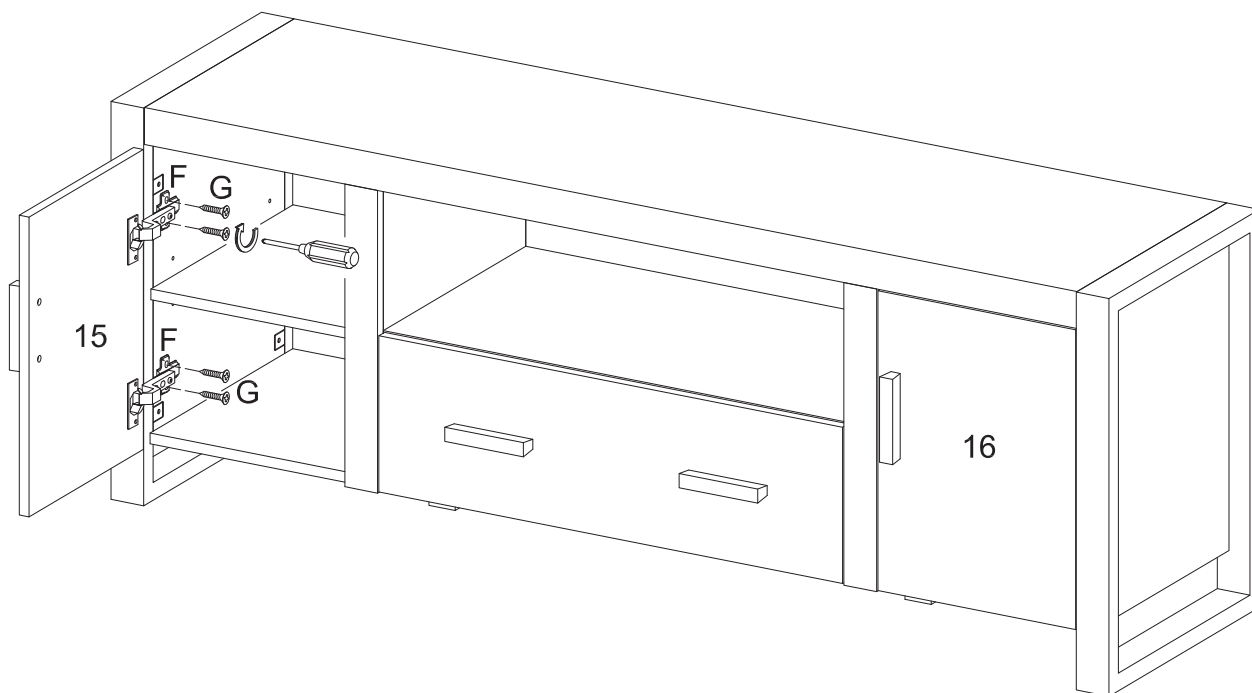
Insert shelf support pins (K) and carefully insert shelves (10).

Step 20



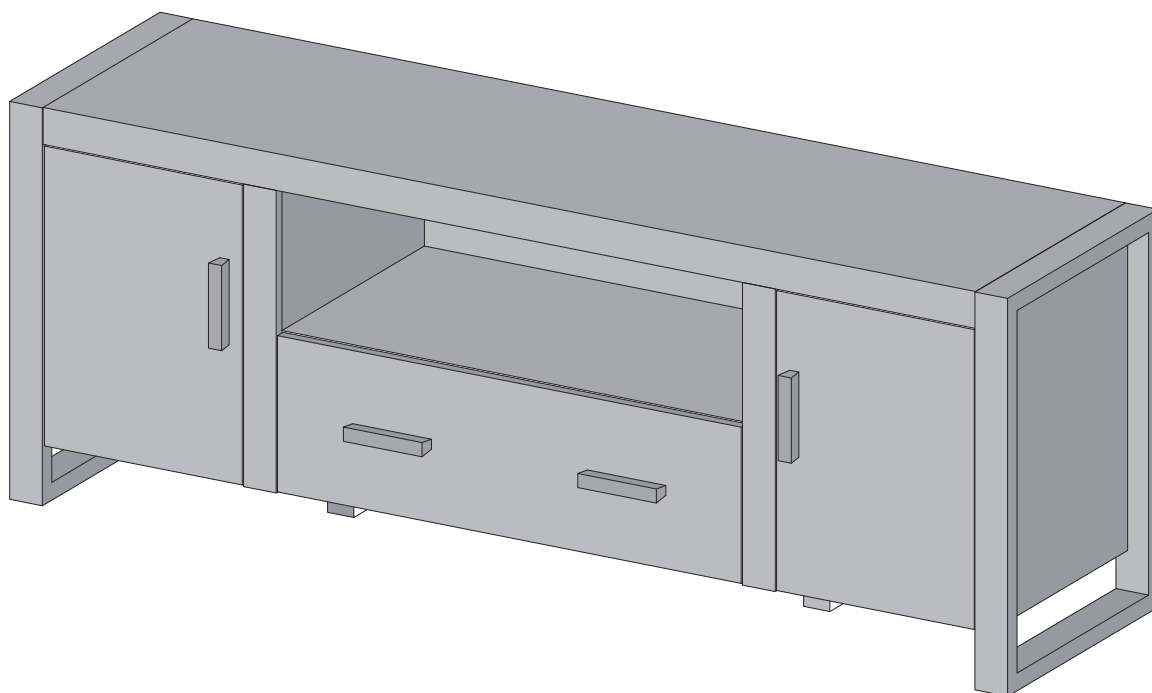
Attach hinge (F) to doors (15, 16) using screws (G). Attach handles (H) using bolts (J).

Step 21



Attach doors (15, 16) to assembled unit using screws (G).

Step 22



Final Assembly