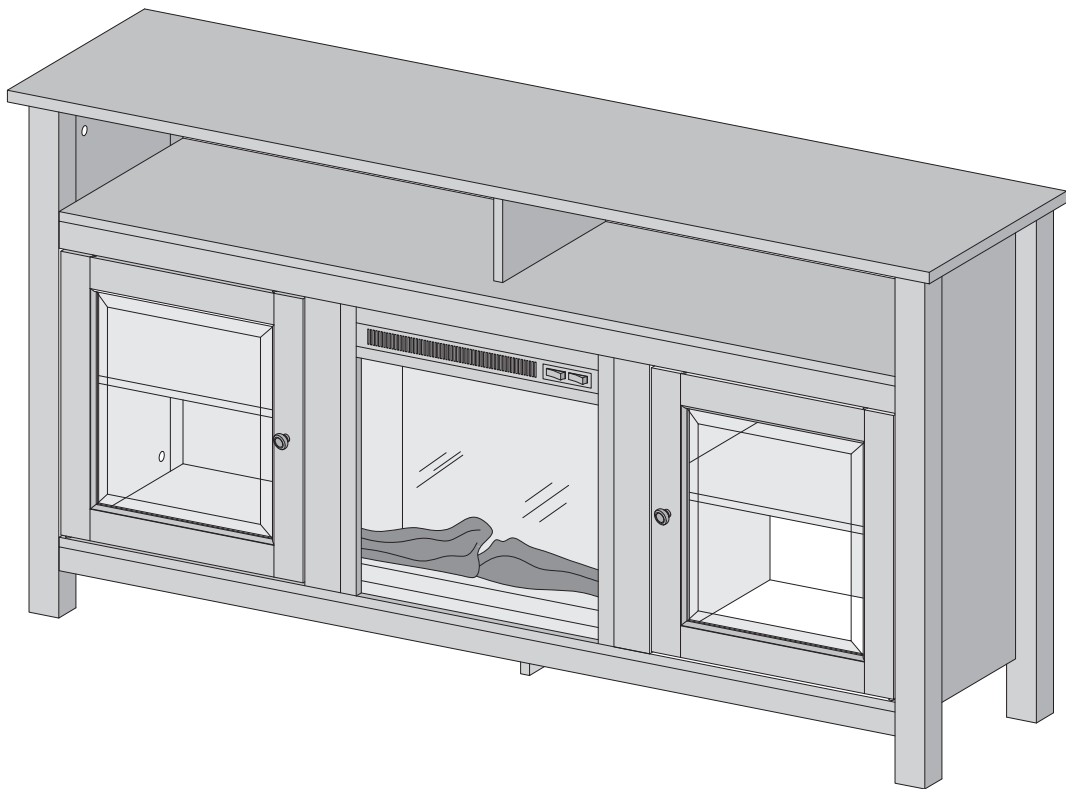




Item # : W58FP18HB  
ASSEMBLY INSTRUCTION

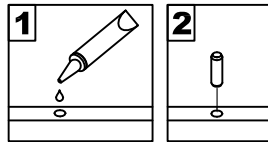


*To request missing, lost or broken parts , or for any other customer service issues,  
please visit our website at [www.walkeredison.com](http://www.walkeredison.com) or call us at 877-207-5906.*

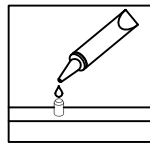
Revised 05/2016

# General Assembly Guidelines

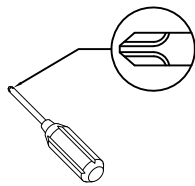
- I. Ensure that all parts and hardware are available before beginning assembly.
- II. Follow each step carefully to ensure the proper assembly of this product.
- III. Two people are recommended for ease in the assembly of this product.
- IV. The three main types of hardware used to assemble this product are : wood dowels , screws and bolts.
- V. The provided glue is to secure wood dowels in place . When first inserting dowels , locate the appropriate hole for the dowel , place a small amount of glue in the hole and insert the dowel . Wipe away excess glue immediately.



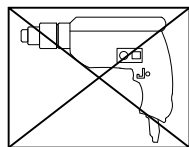
In future assembly steps when dowels are necessary to attach assembly parts together , place a small amount of glue on the end of the dowel before attaching parts together . Wipe away excess glue immediately.



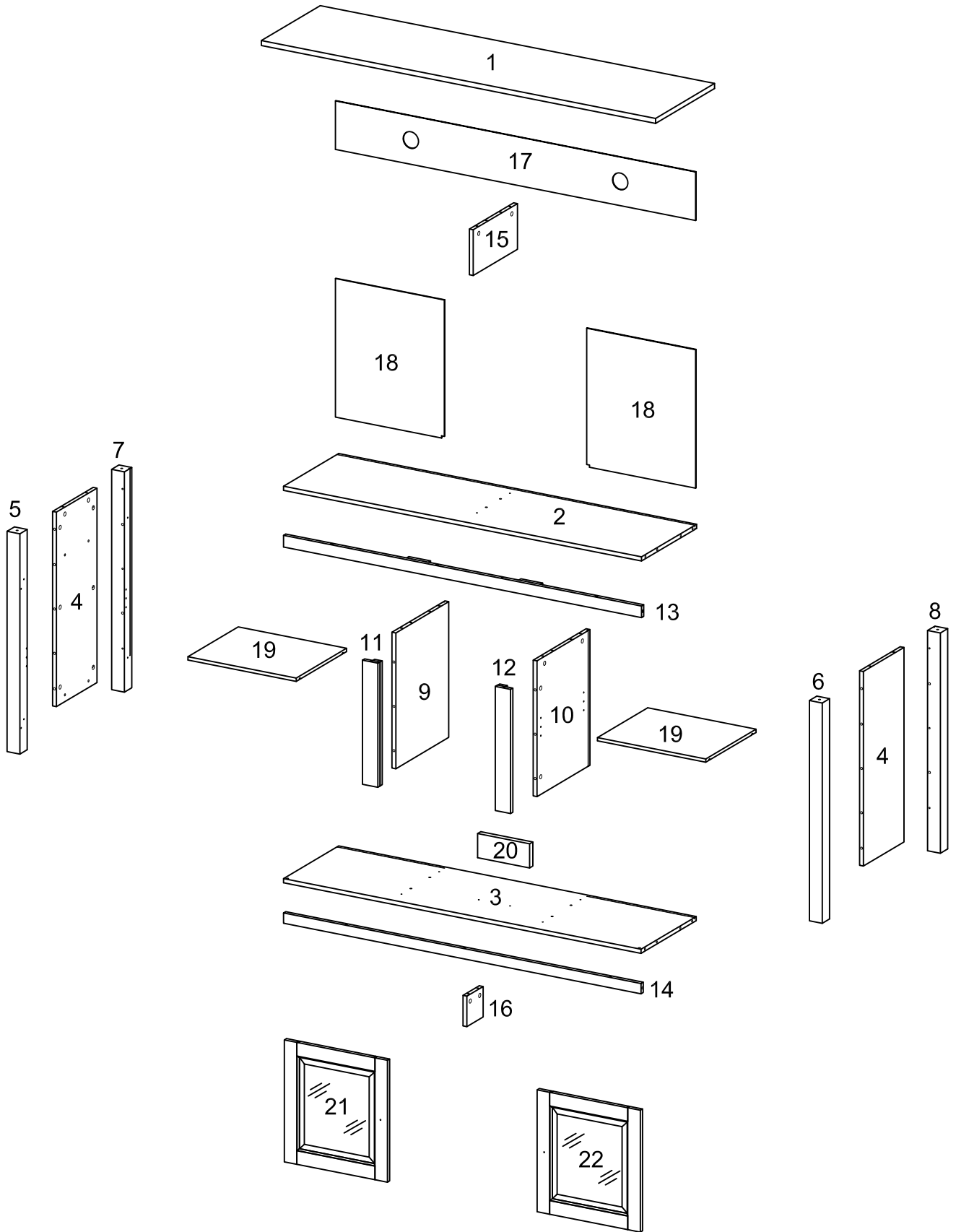
- VI. A Phillips head screwdriver is required for the assembly of this product .




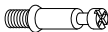

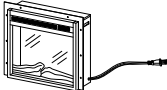
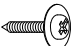

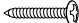
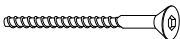

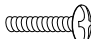
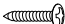
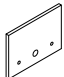
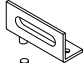
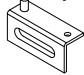


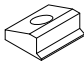




- VII. Power tools should not be used to assemble this product .

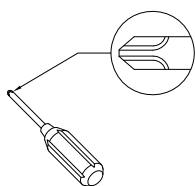


# Parts List



# Hardware List

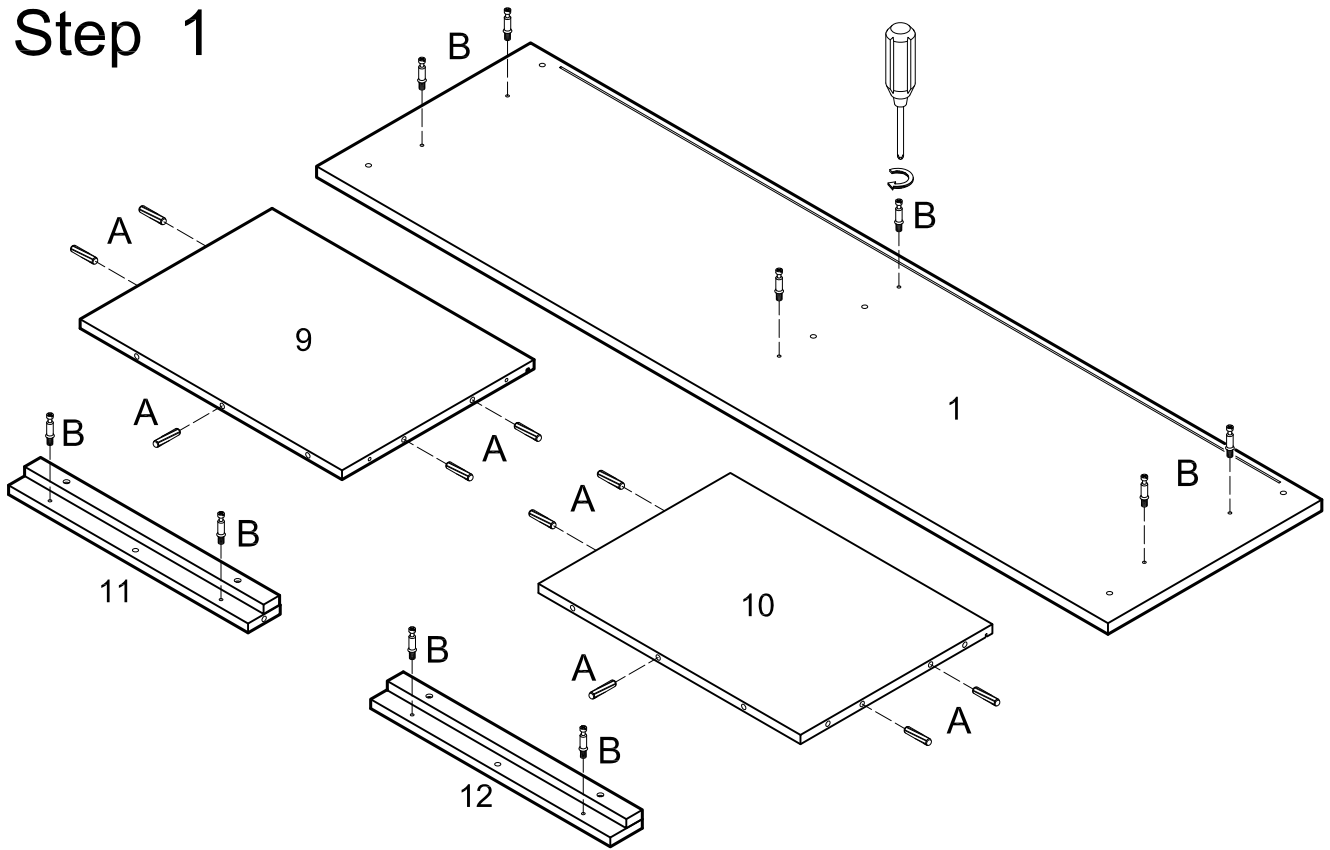
A		Ø8x30mm	Wooden dowel	38 pcs
B		Ø8x30mm	Cam bolt	41 pcs
C		Ø15x12mm	Cam lock	41 pcs
D			Fireplace Insert (F18V66L)	1 pc
E		Ø3x12	Screw	6 pcs
F			Door stopper	2 pcs
G		Ø3x15mm	Screw	4 pcs
H		Ø6x50mm	Screw	6 pcs
J		Ø25x17mm	Handle	2 pcs
K		Ø4x19mm	Screw	2 pcs
L		Ø3x12mm	Screw	10 pcs
M		30x20mm	Metal piece	2 pcs
N		40x15.5x15mm	Door Hinge	2 pcs
P		40x15.5x15mm	Door Hinge	2 pcs
Q		Ø9.5x12mm	Plastic pivot	4 pcs
R			Shelf support pin	8 pcs
S			Plastic wedges	16 pcs
T		Ø3x17mm	Screw	16 pcs
U		Ø4mm	Wrench	1 pc
V			Glue tube	2 pcs
W		Ø25mm	Sticker	41 pcs



Philips head screwdriver required for assembly  
(not included)

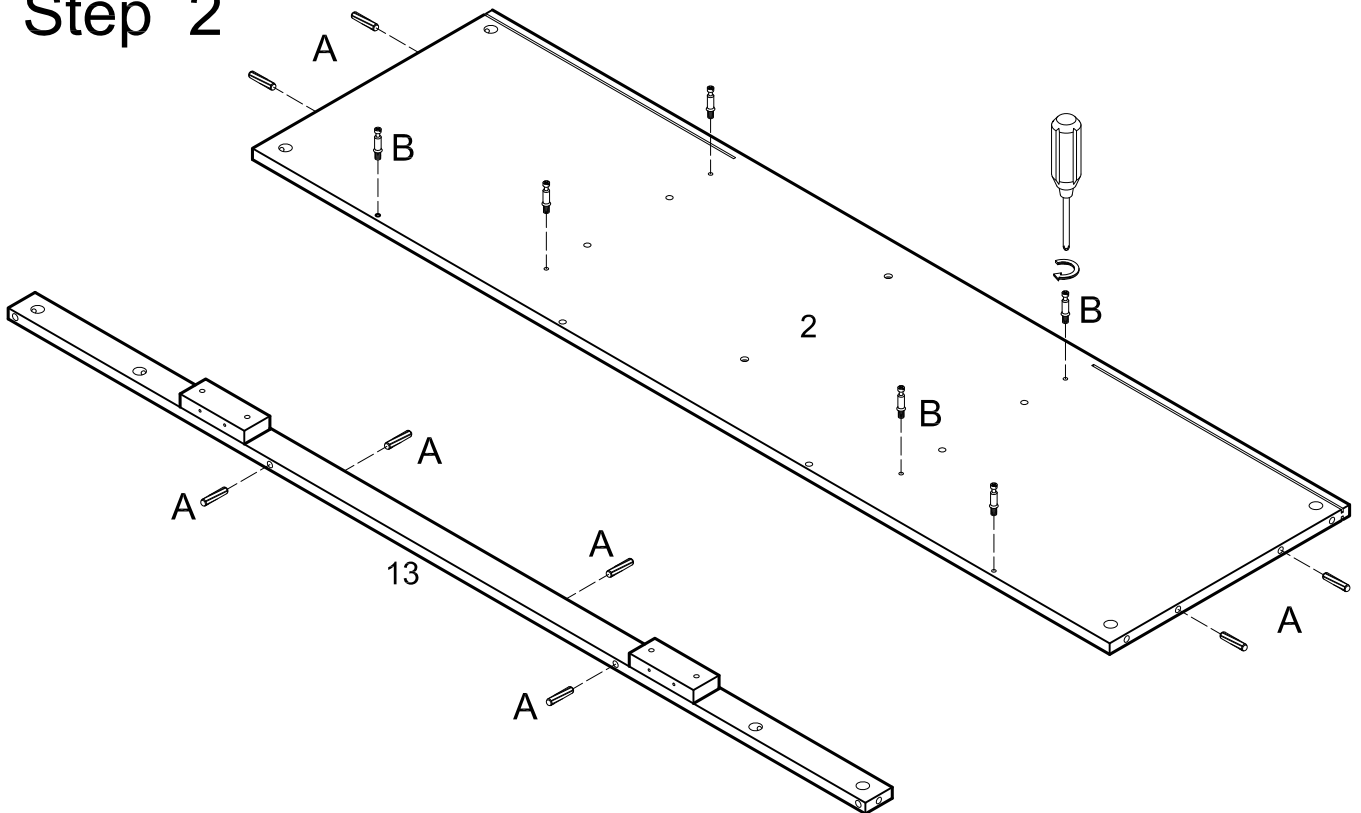
*The hardware quantities listed above are required for proper assembly.  
Some extra hardware may also have been included.*

# Step 1



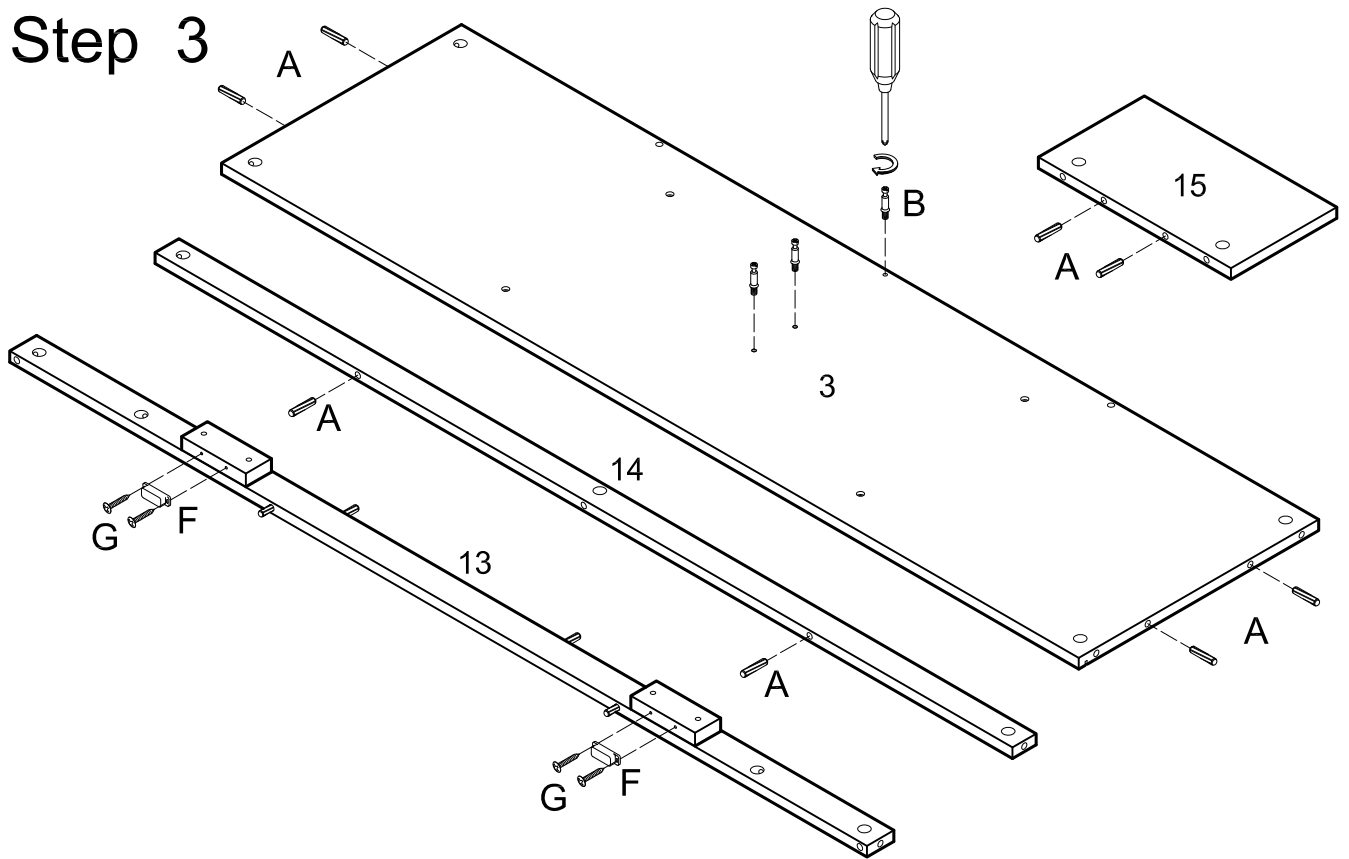
Insert the wooden dowel (A) into the support panel (9)(10).  
Insert the cam bolt (B) into the top panel (1), face plate (11)(12).

# Step 2



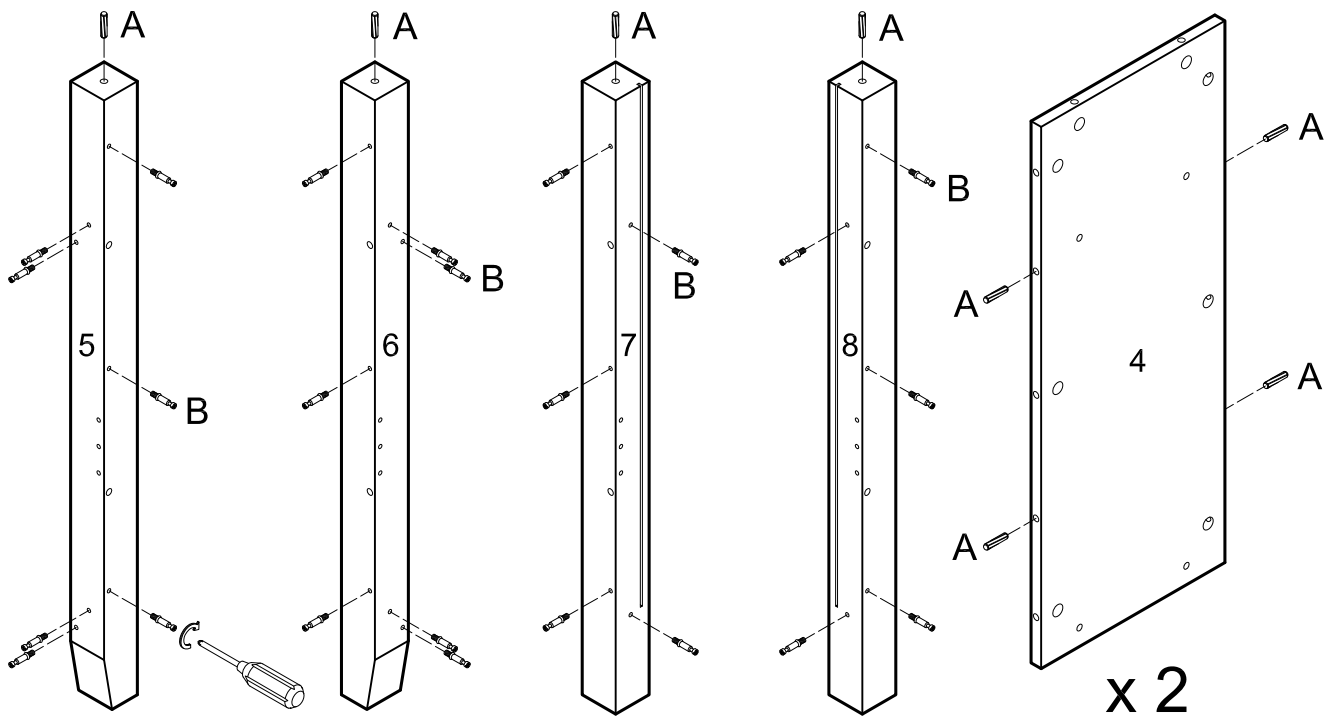
Insert the wooden dowel (A) and cam bolt (B) into the middle panel (2).  
Insert the wooden dowel (A) into the skirt (13).

## Step 3



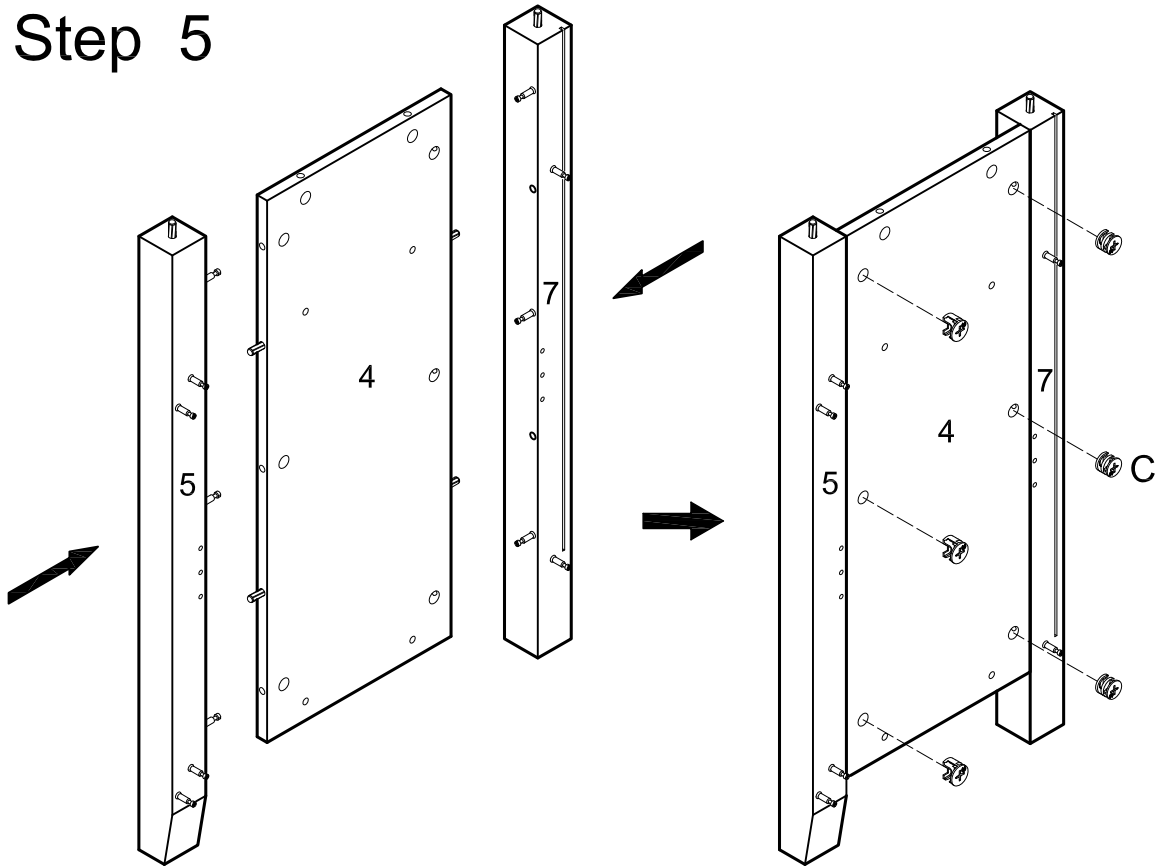
Insert the cam bolt (B) and wooden dowel (A) into the bottom panel (3.). Insert the wooden dowel (A) into the skirt (14) and support panel (15). Attach the door stopper (F) to the skirt (13) and secure it by screw (G).

## Step 4



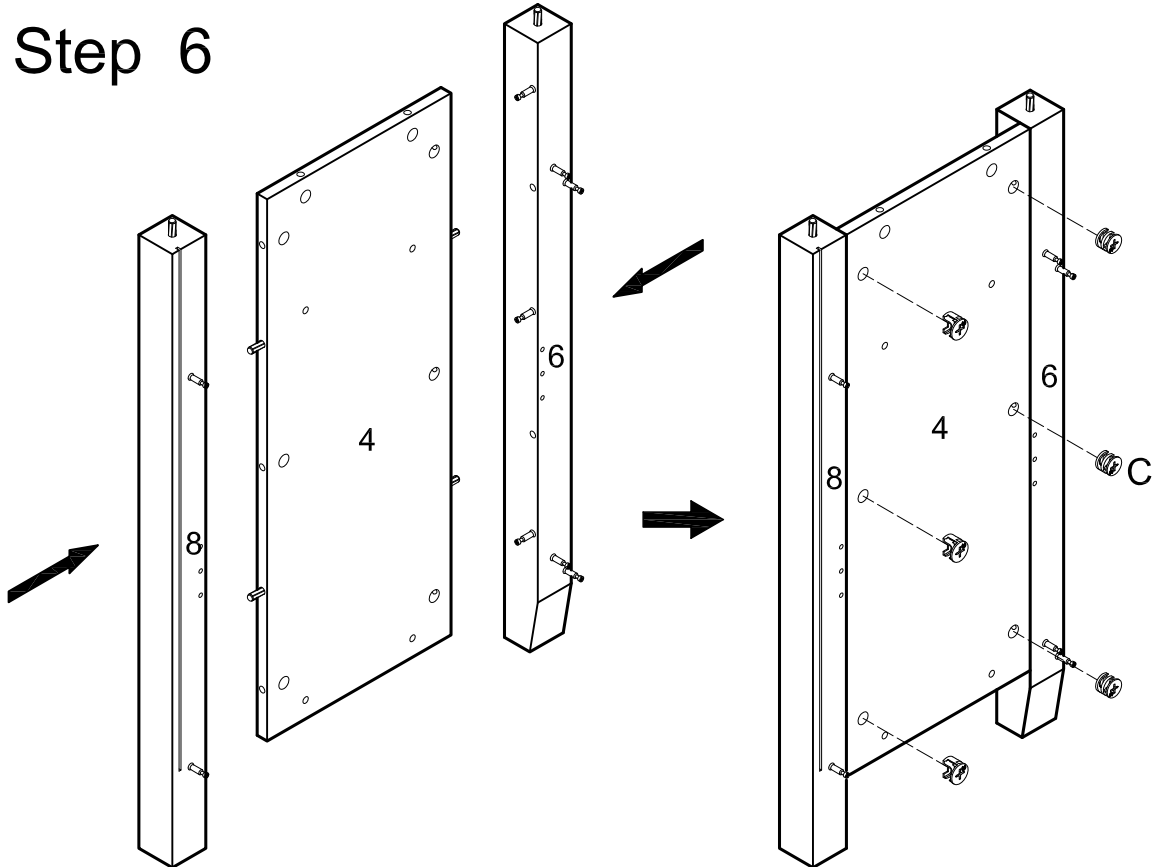
Insert the wooden dowel (A), cam bolt (B) into the wooden legs (5,6,7,8).  
Insert the wooden dowel (A) into the side panel (4).

# Step 5



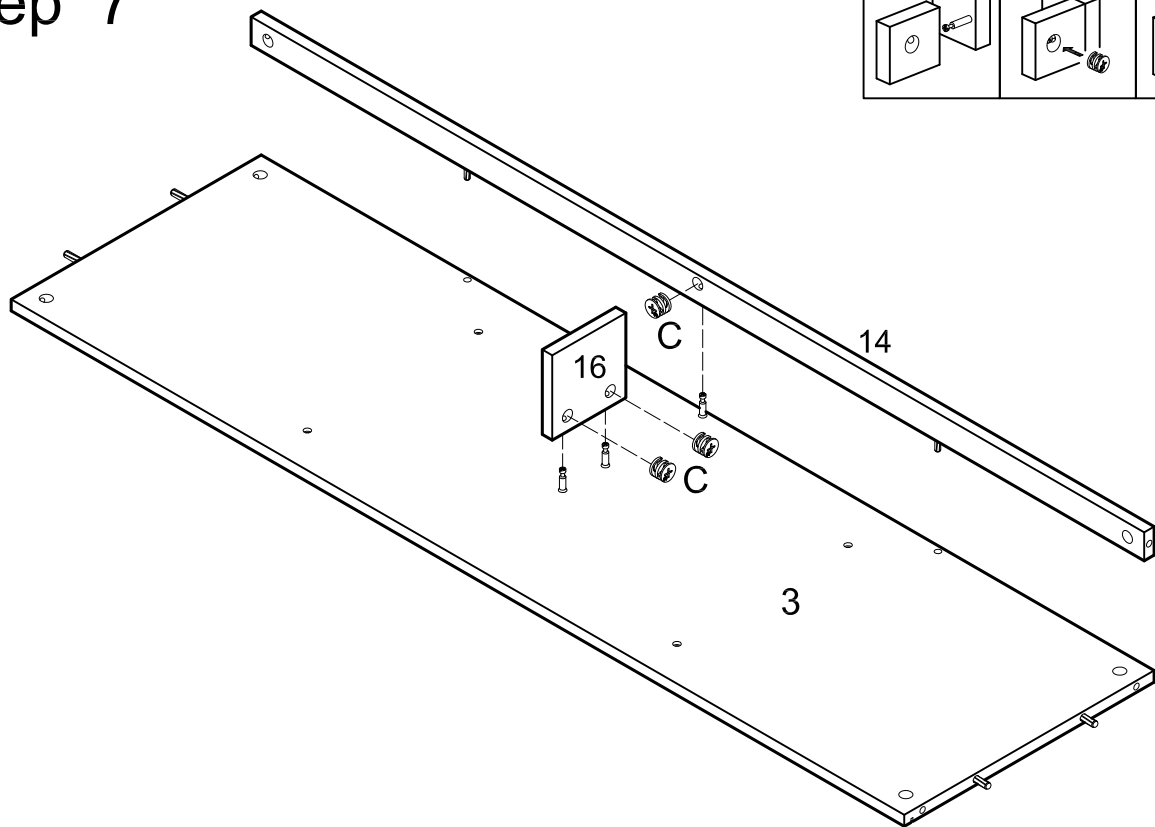
Use cam lock (C) to assemble the wooden legs (5,7) to the side panel (4).

# Step 6



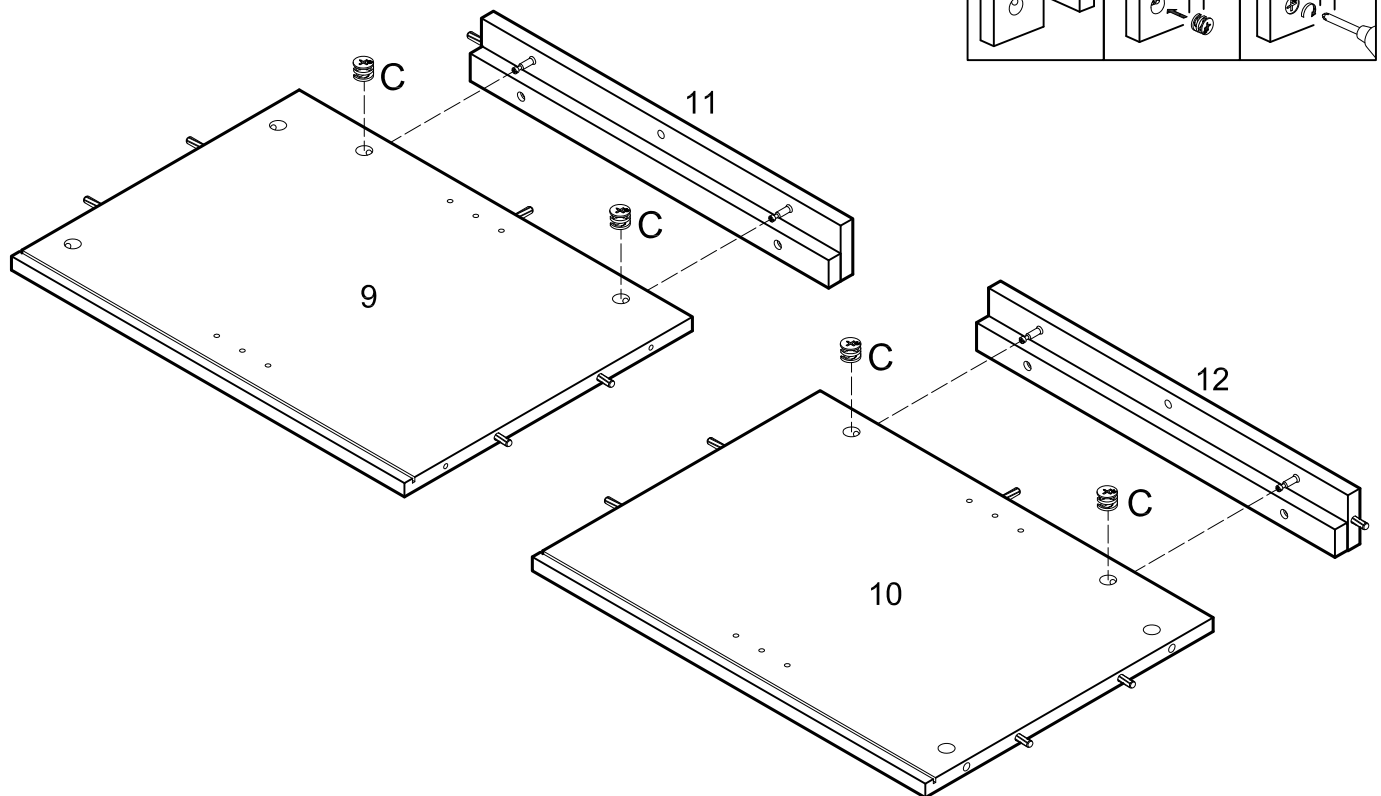
Repeat step #6 for wooden legs (6,8).

# Step 7



Use cam lock (C) to assemble the skirt (14) and support leg (16) to the bottom panel (3).

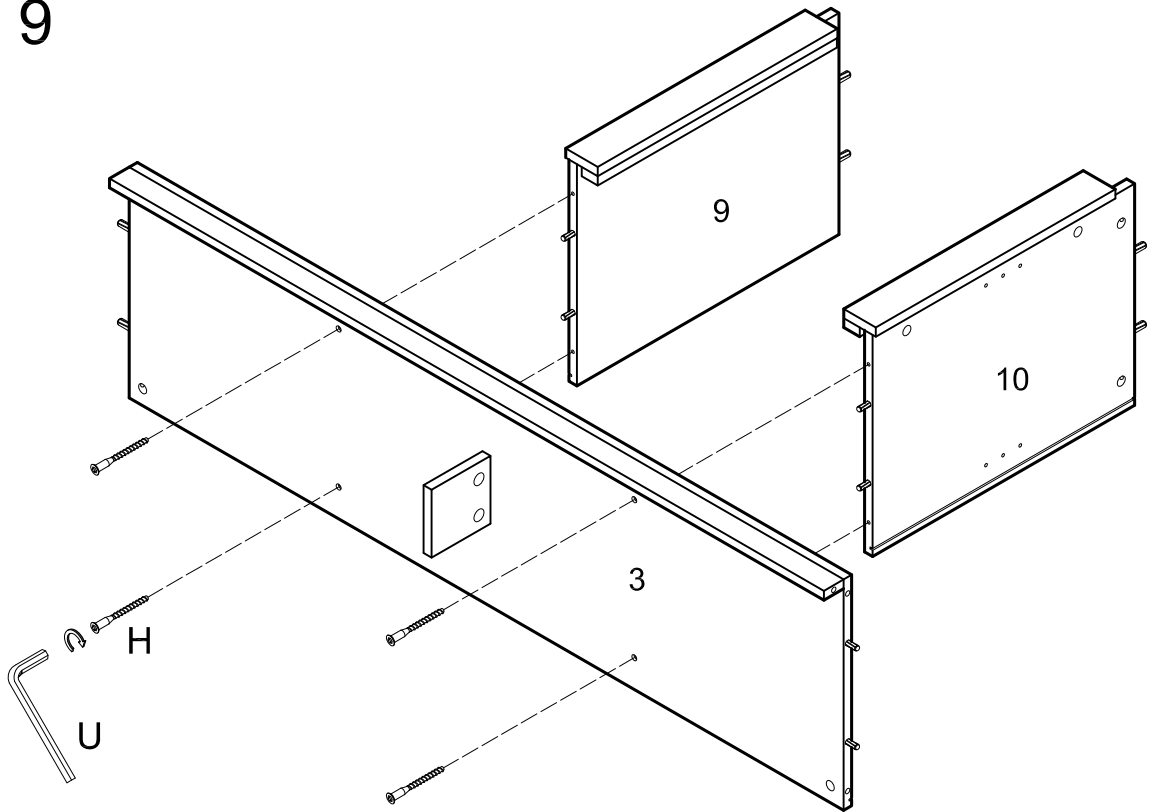
# Step 8



Use cam lock (C) to assemble the face plate (11)(12) to the support panel (9)(10).

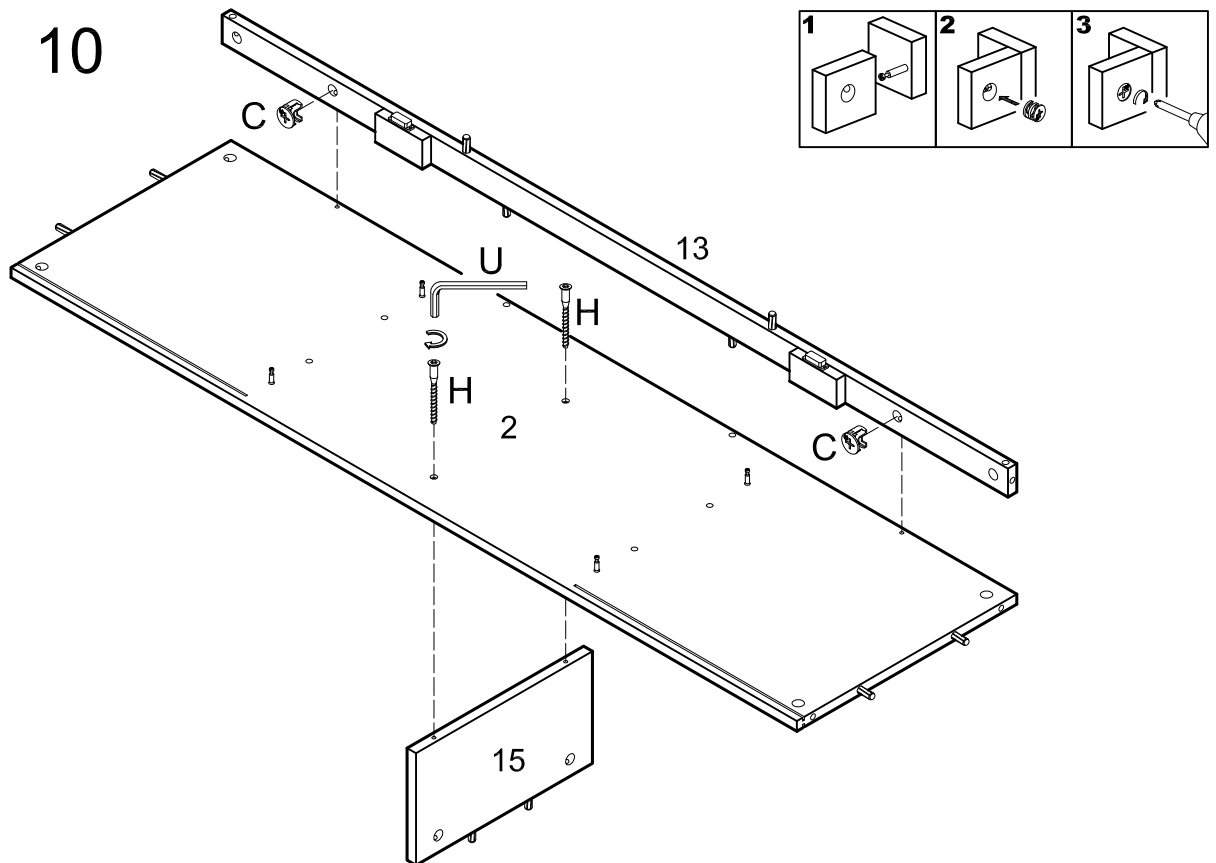


## Step 9



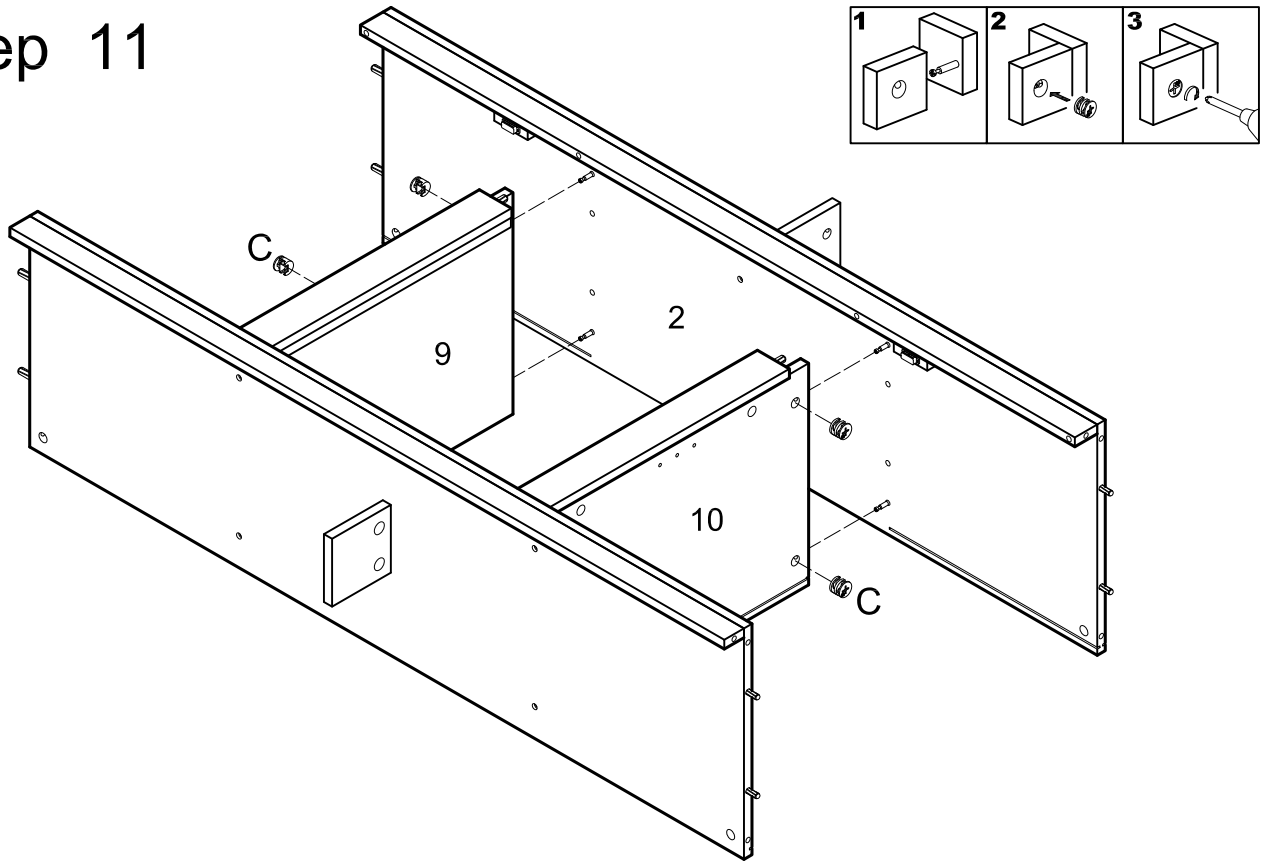
Assemble the side panel (9,10) to the bottom panel (3) and secure it by bolt (H) and wrench (U).

## Step 10



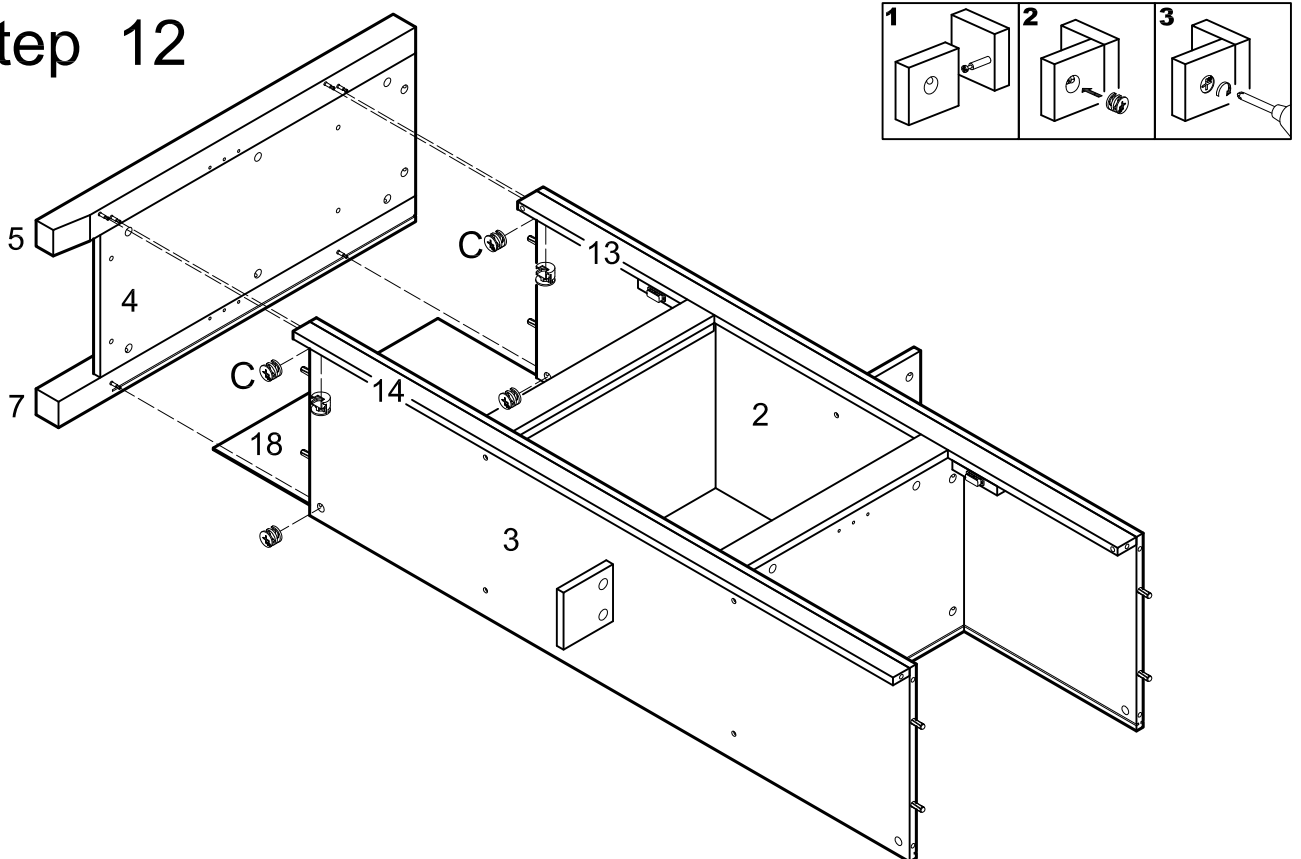
Upside down the middle panel (2) and use cam lock (C) to secure the skirt (13). Use screws (H) and wrench (U) to assemble the support panel (15).

# Step 11



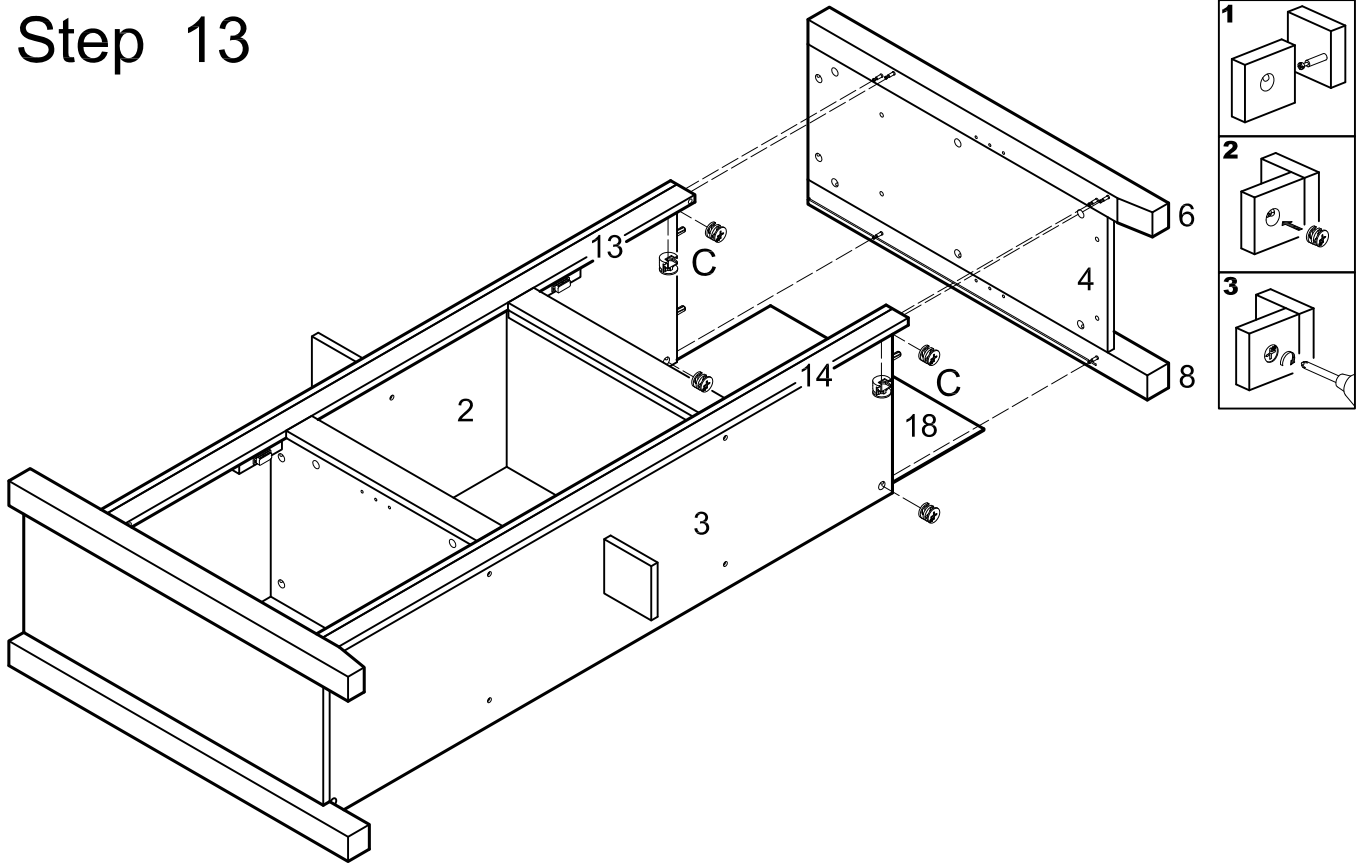
Use cam bolts (C) to secure the middle panel (2) into the support panel (9,10).

# Step 12



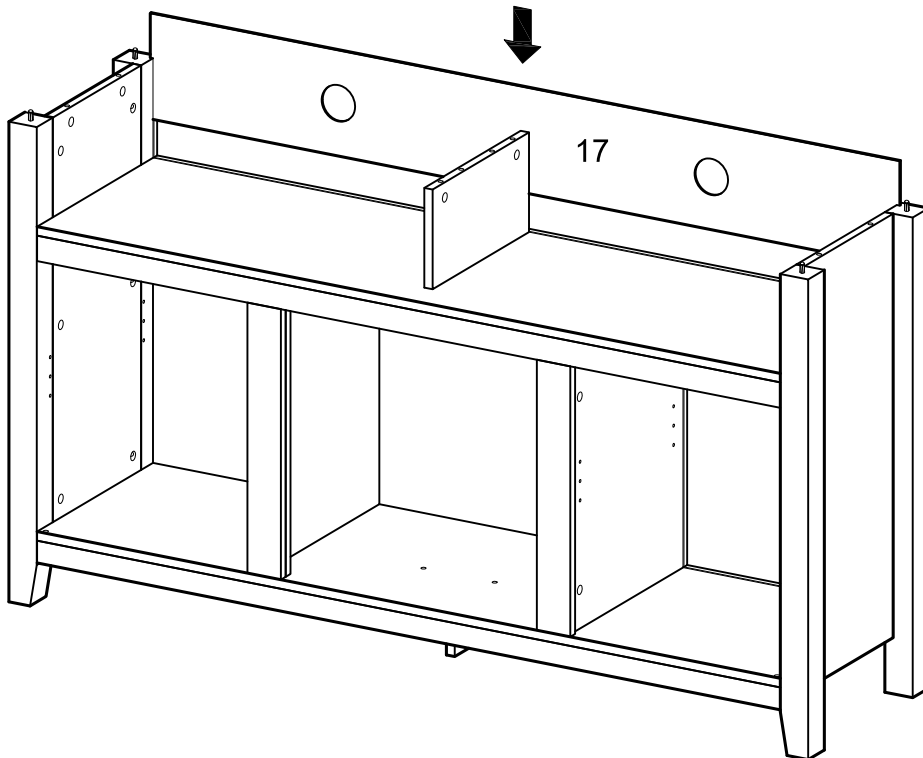
Insert the back panel (18) into the slot of the middle (2) and bottom panel (3). Assemble the wooden leg (5,7) to the middle panel (2), bottom panel (3) and skirt (13)(14) and secure it with cam lock (C).

# Step 13



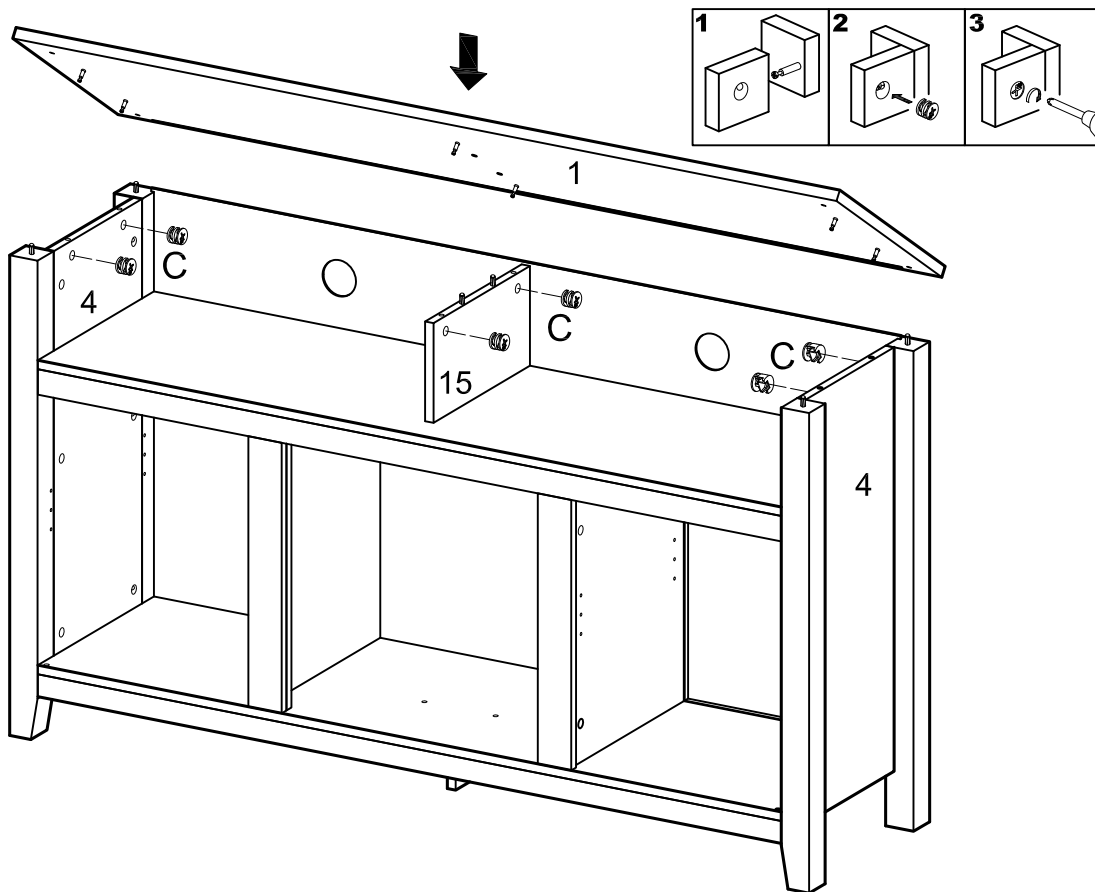
Repeat step #13 for wooden leg (6,8).

# Step 14



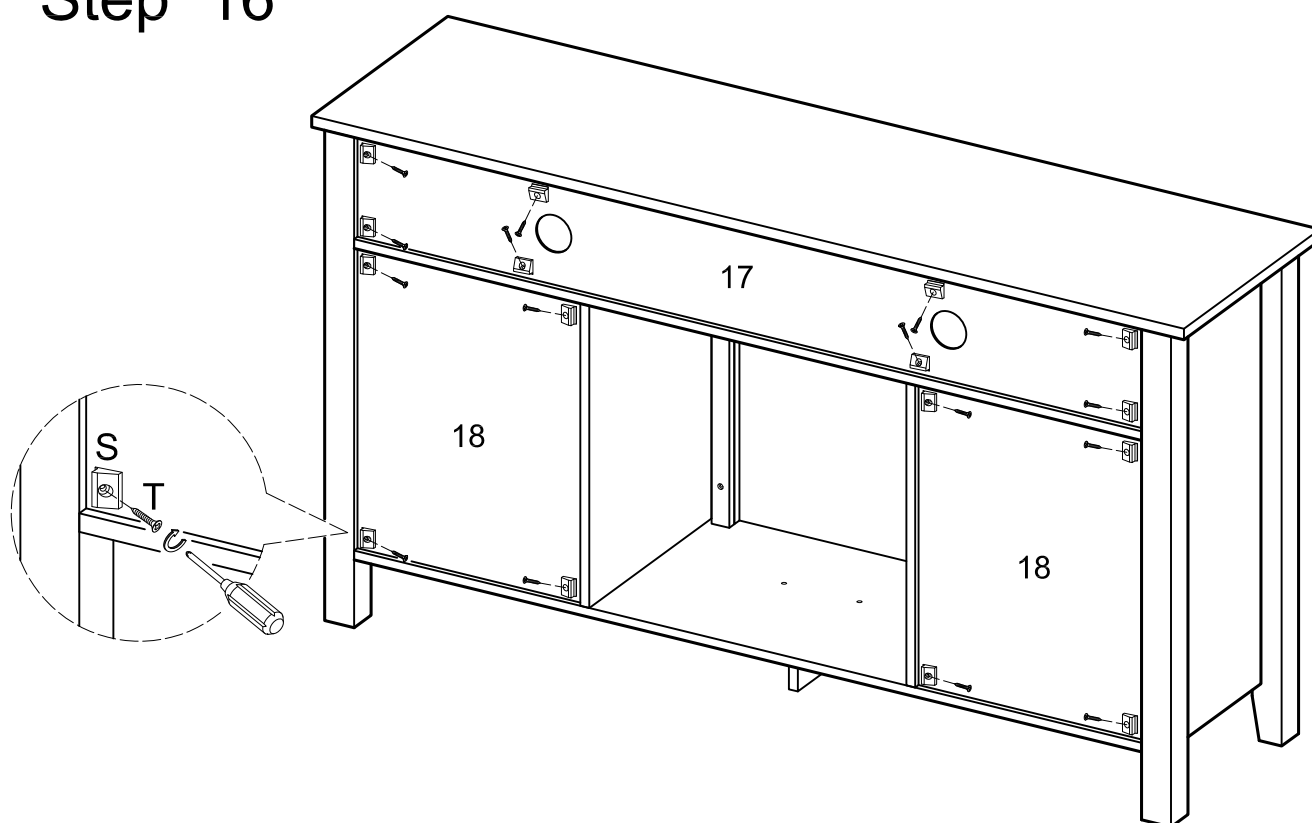
Right up the stand and slot in the back panel (17) into the legs.

## Step 15



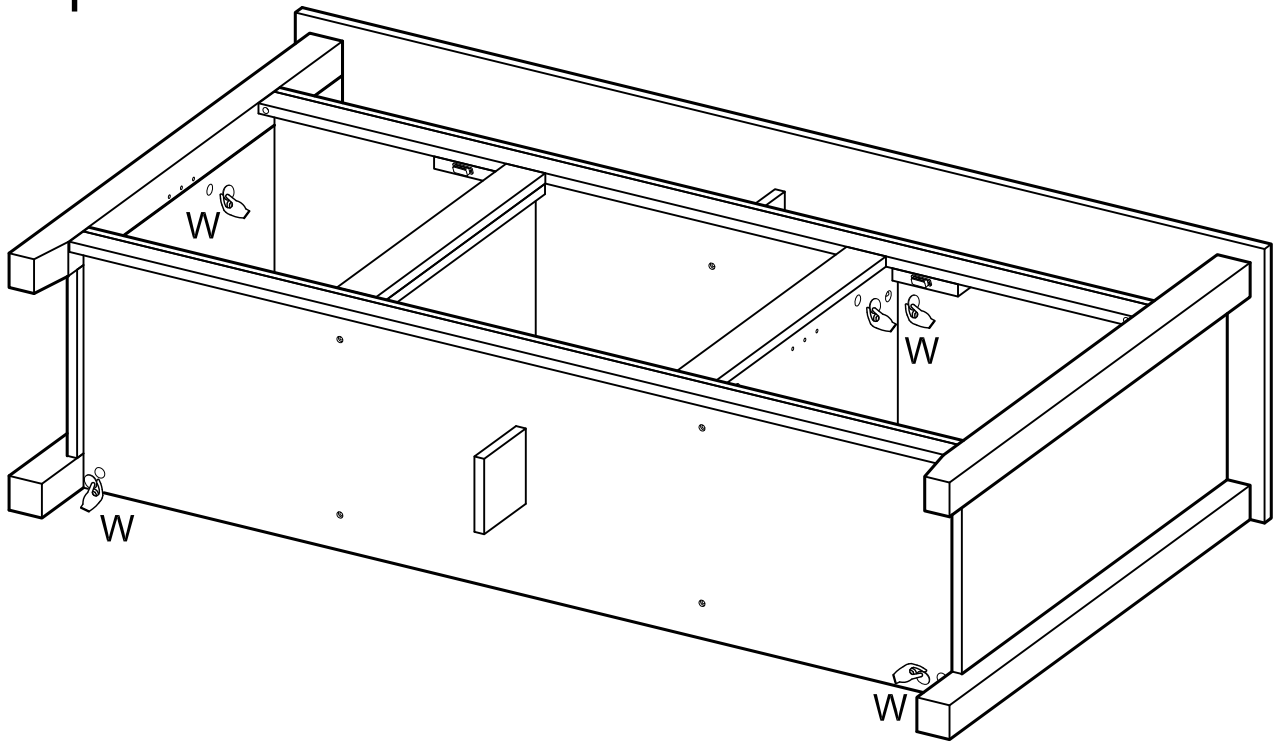
Place the top panel (1) to the stand and secure it with the cam locks (C).

## Step 16



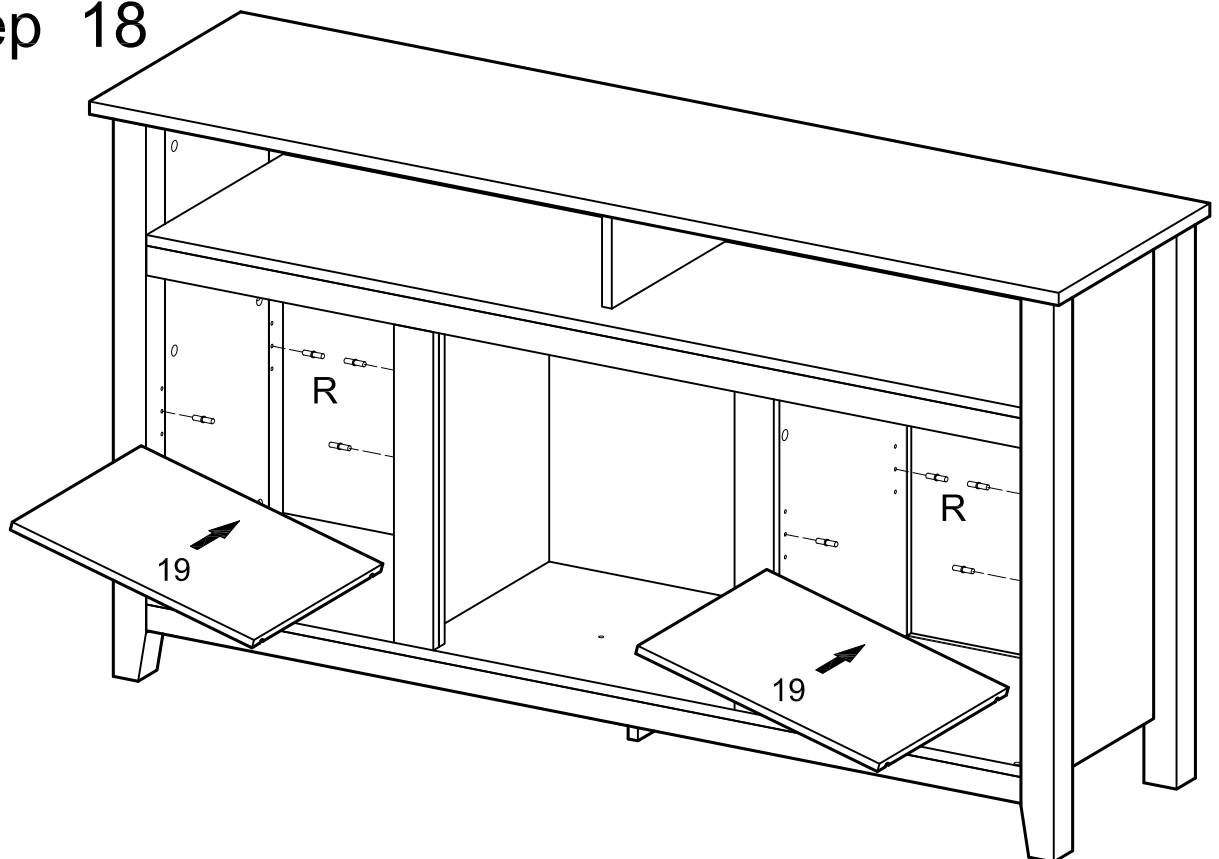
Use flat-head screw (T) and plastic wedge (S) to secure the back panel (17)(18).

## Step 17



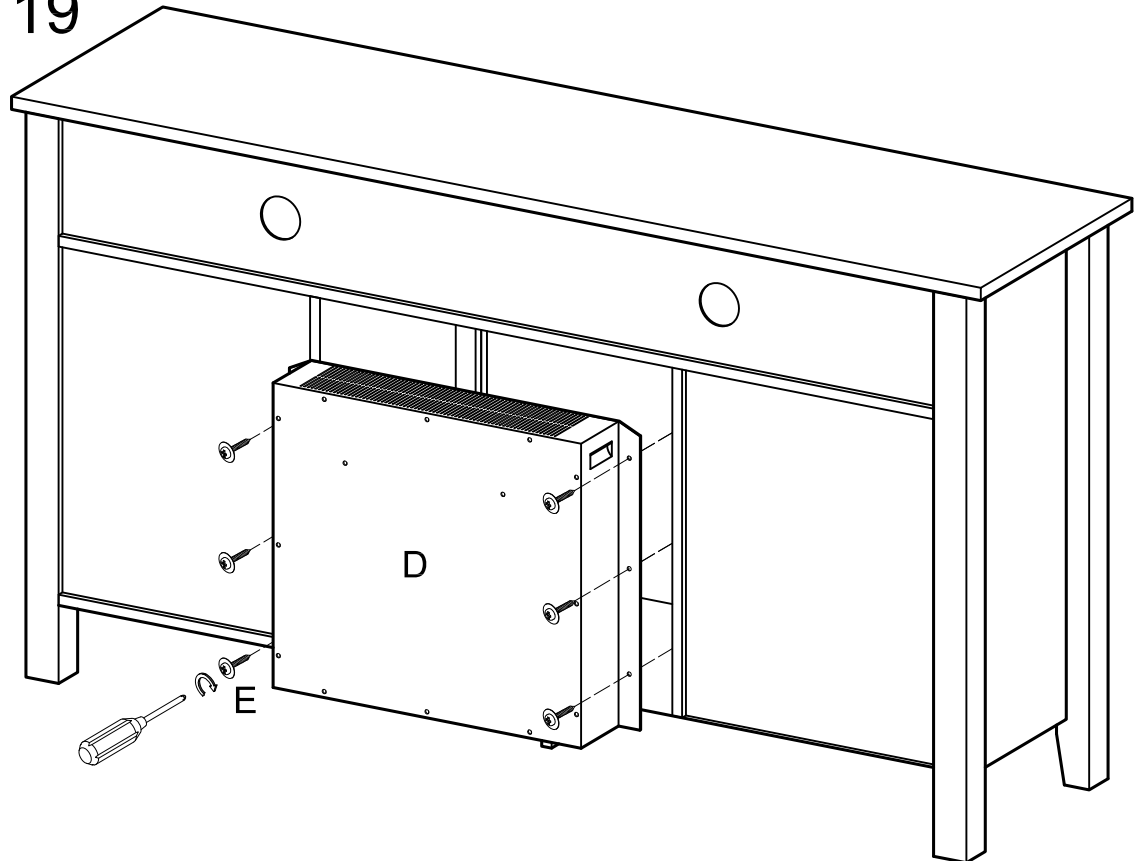
Attached the sticker (W) to cover the cam locks.

## Step 18



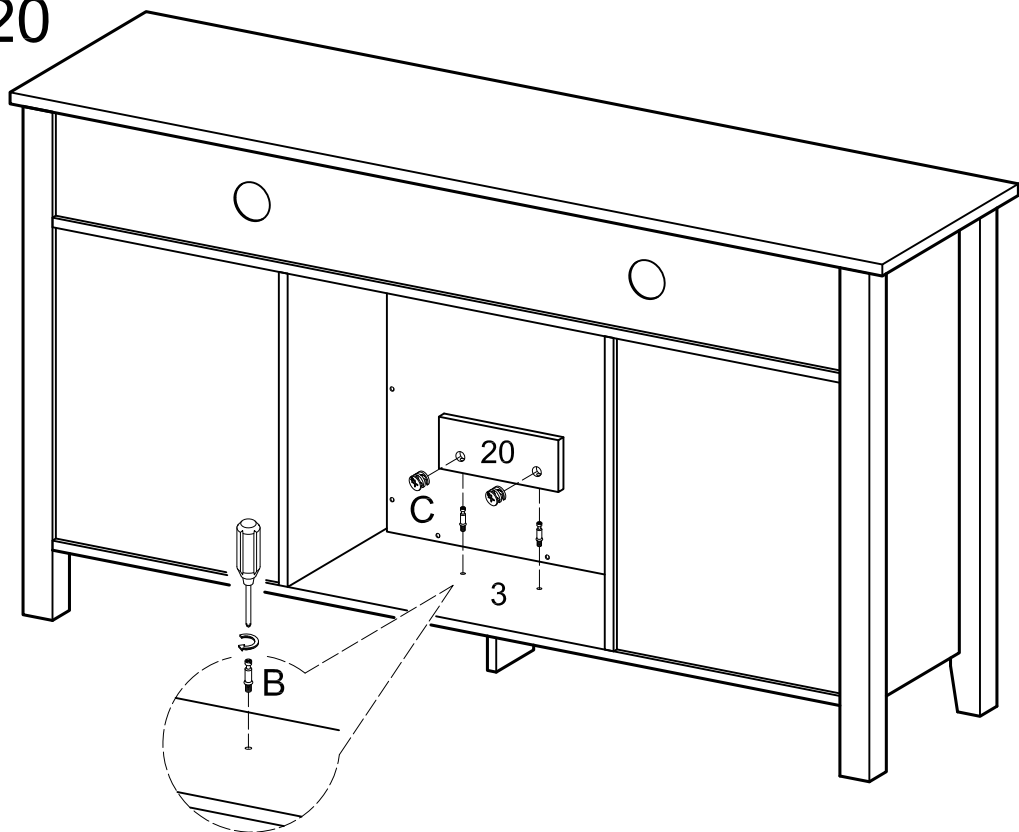
Input the shelf support pin (R) into the stand and place the wooden shelf (19) on top.

## Step 19



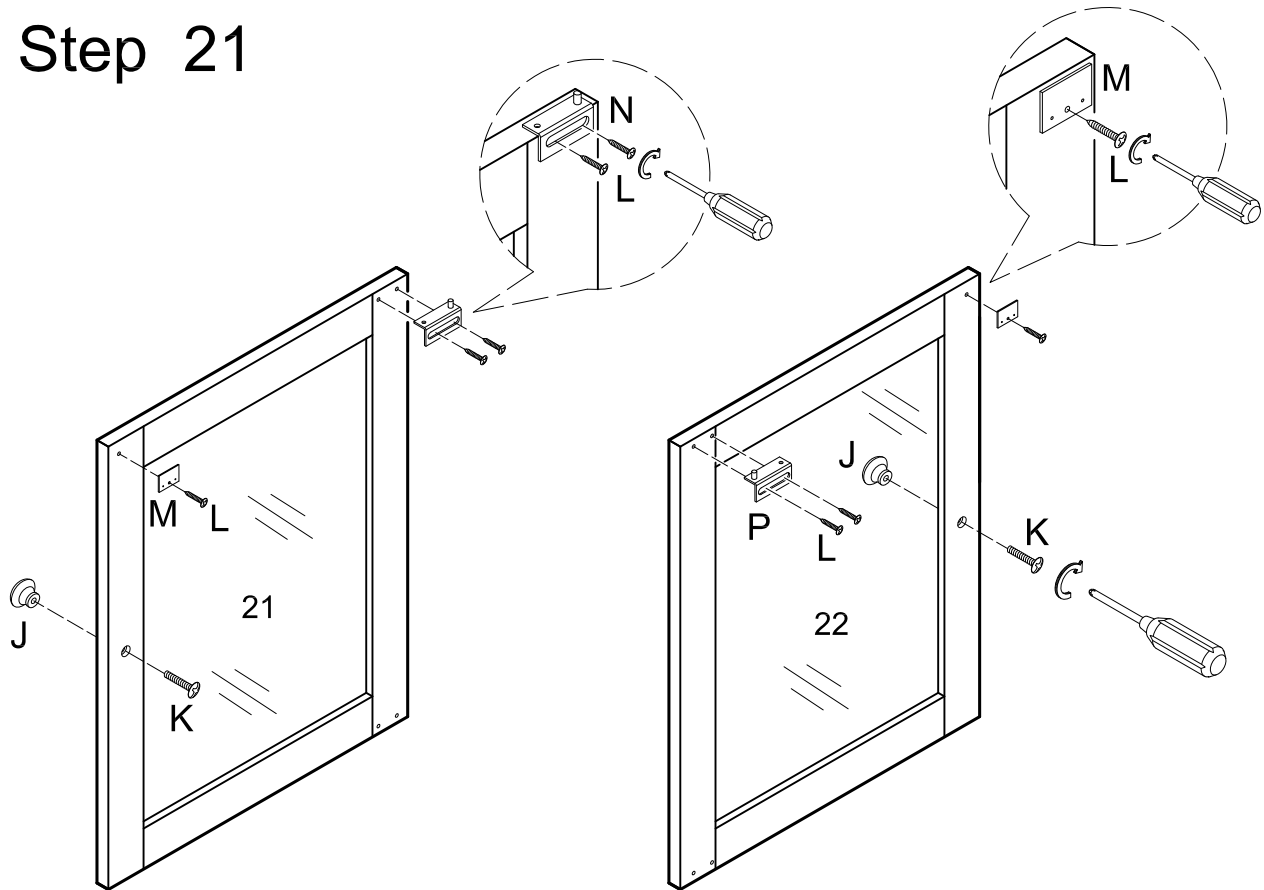
Assemble the fireplace insert (D) to the stand and secure it with screw (E).

## Step 20



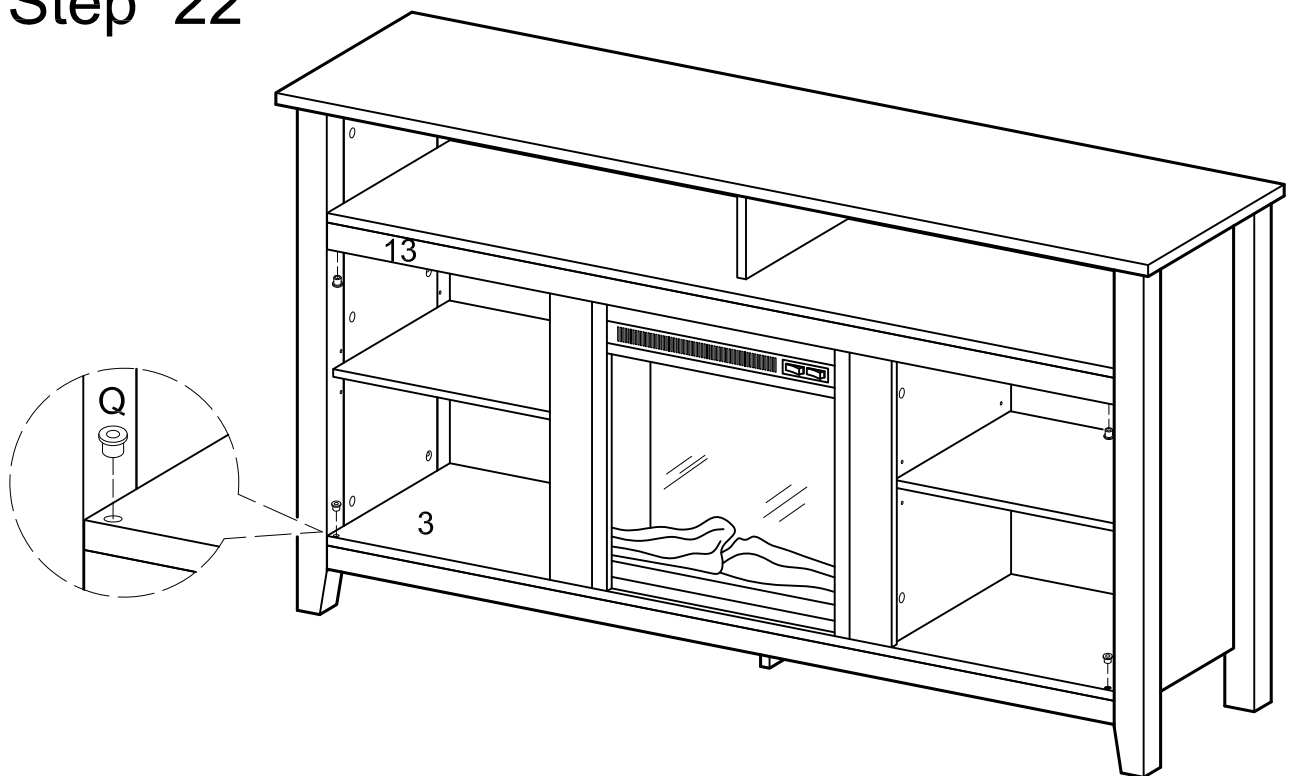
For security, insert the cam bolts (B) to the bottom panel and use cam lock (C) to assemble the support panel (20) into the bottom panel (3).

## Step 21



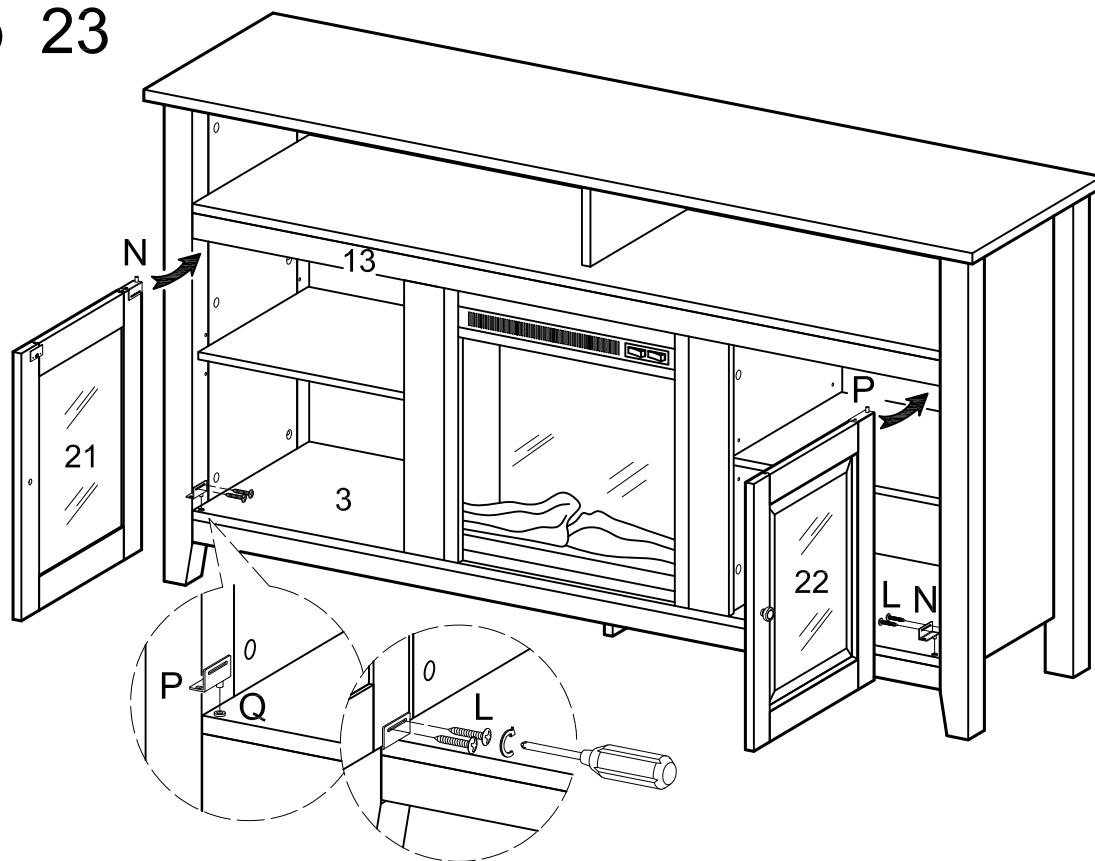
Attach the door hinge (N) and metal plate (M) to the glass doors and secure it with screw (L). Attach the door knob (J) to the doors and secure it with screws (K).

## Step 22



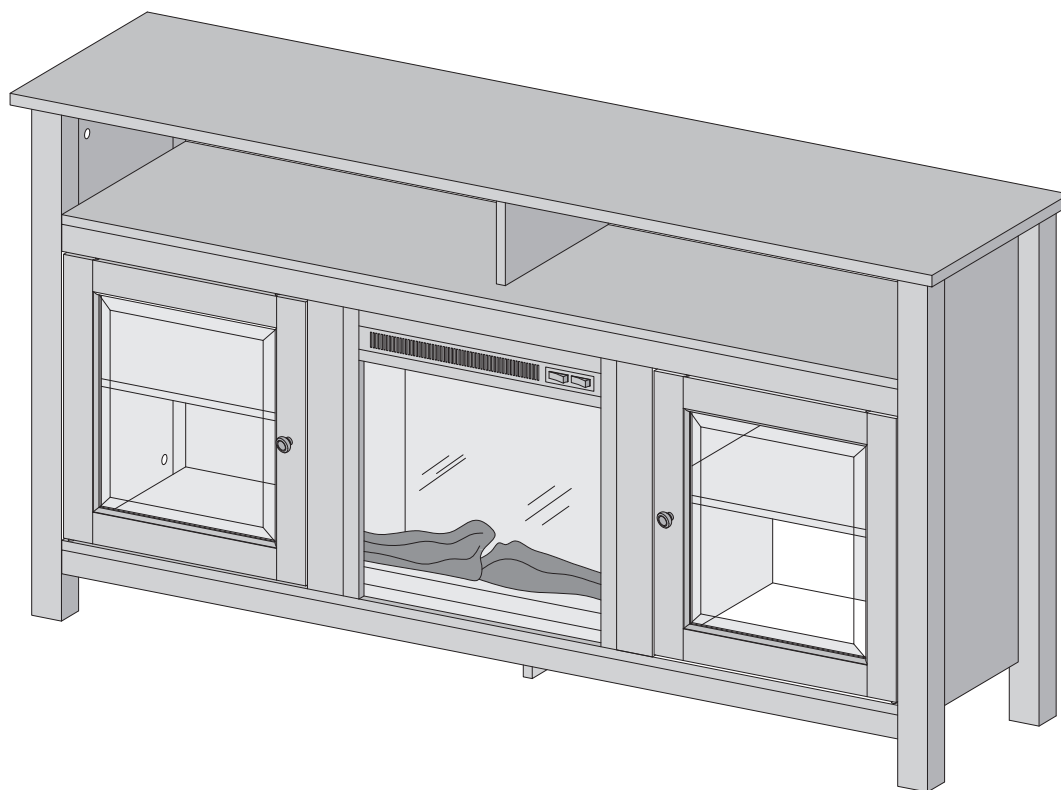
Insert the plastic pivot (Q) into the bottom panel (3) and skirt (13).

## Step 23



Insert the door hinge (P) into the plastic pivot (Q) on the bottom panel (3). Attach the door hinge (N) to the plastic pivot on skirt (13) and secure the door hinge (P) with screw (L).

## Step 24



## Final Assembly