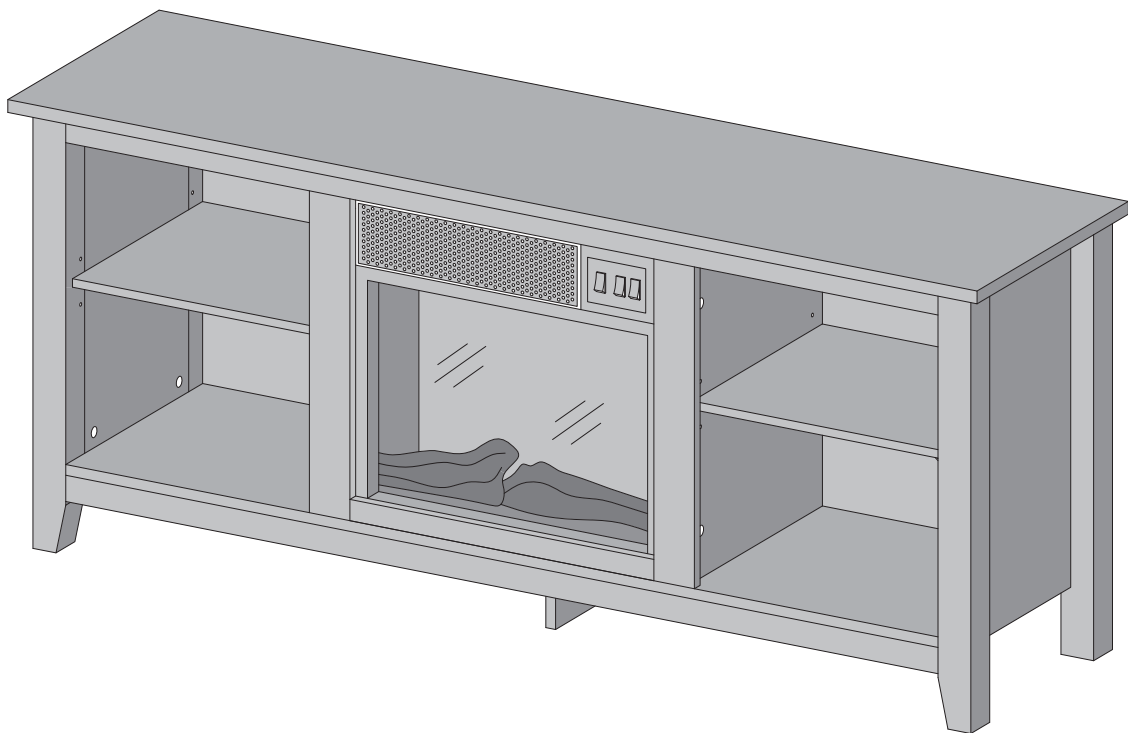


W Walker
E Edison
furniture company

ITEM # : W58FPC
ASSEMBLY INSTRUCTIONS

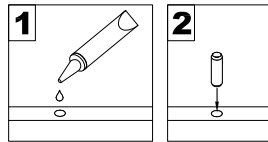


For our most up-to-date instructions, to request missing, lost, or broken parts, or for any other Customer Service issues, please visit our website at www.walkeredison.com or call us at 877-207-5906.

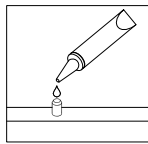
Revised 09/2014

General Assembly Guidelines

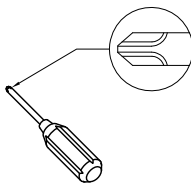
- I. Ensure that all parts and hardware are available before beginning assembly.
- II. Follow each step carefully to ensure the proper assembly of this product.
- III. Two people are recommended for ease in the assembly of this product.
- IV. The three main types of hardware used to assemble this product are : wood dowels , screws and bolts.
- V. The provided glue is to secure wood dowels in place . When first inserting dowels , locate the appropriate hole for the dowel , place a small amount of glue in the hole and insert the dowel . Wipe away excess glue immediately.



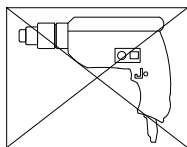
In future assembly steps when dowels are necessary to attach assembly parts together , place a small amount of glue on the end of the dowel before attaching parts together . Wipe away excess glue immediately.



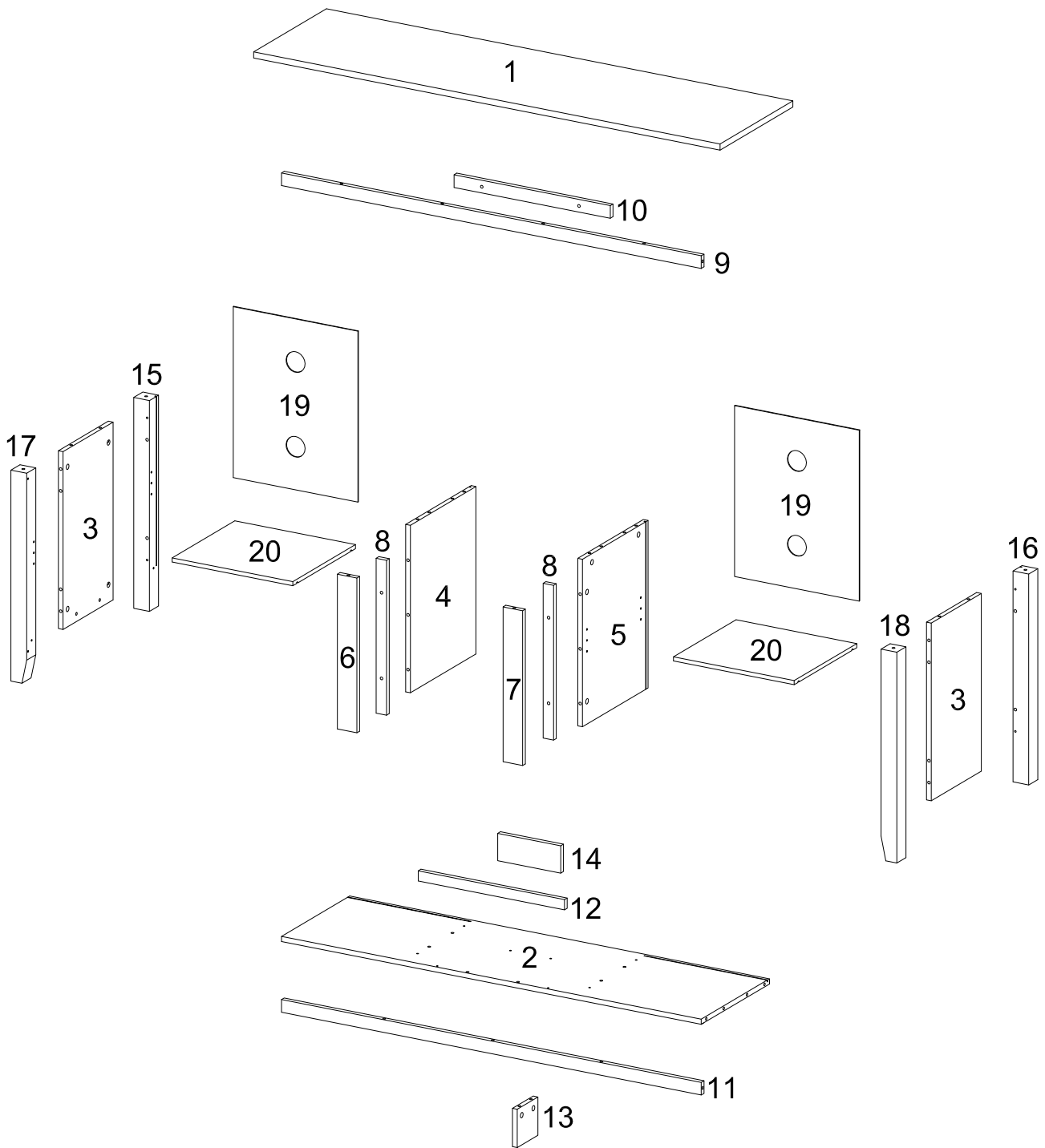
- VI. A Phillips head screwdriver is required for the assembly of this product .




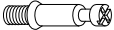

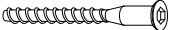
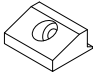
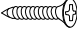

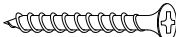
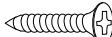
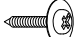



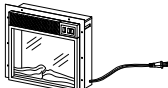
- VII. Power tools should not be used to assemble this product .



Parts List

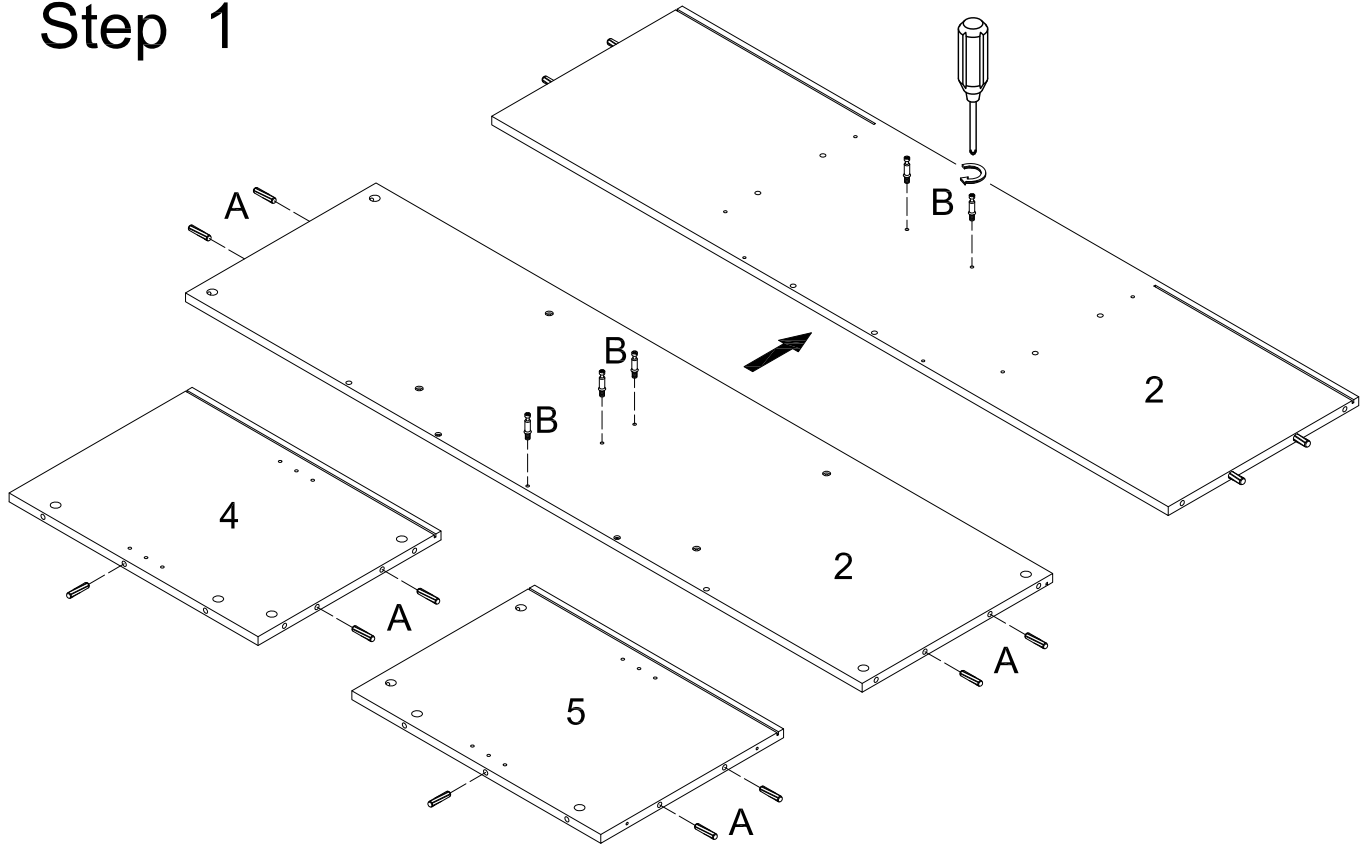


Hardware List

A		Ø8x30	Wooden dowel	32 pcs
B		Ø6x35	Cam bolt	35 pcs
C			Cam lock	35 pcs
D		Ø6x50	Bolt	4 pcs
E			Plastic wedge	8 pcs
F			Flat-head screw	8 pcs
G			Shelf support pin	8 pcs
H		Ø4x31	Screw	2 pcs
J		Ø4x22	Screw	6 pcs
K		Ø3x12	Screw	8 pcs
L		M4	Wrench	1 pc
M			Glue tube	2 pcs
N			Sticker	20 pcs
P			Fireplace Insert	1 pc

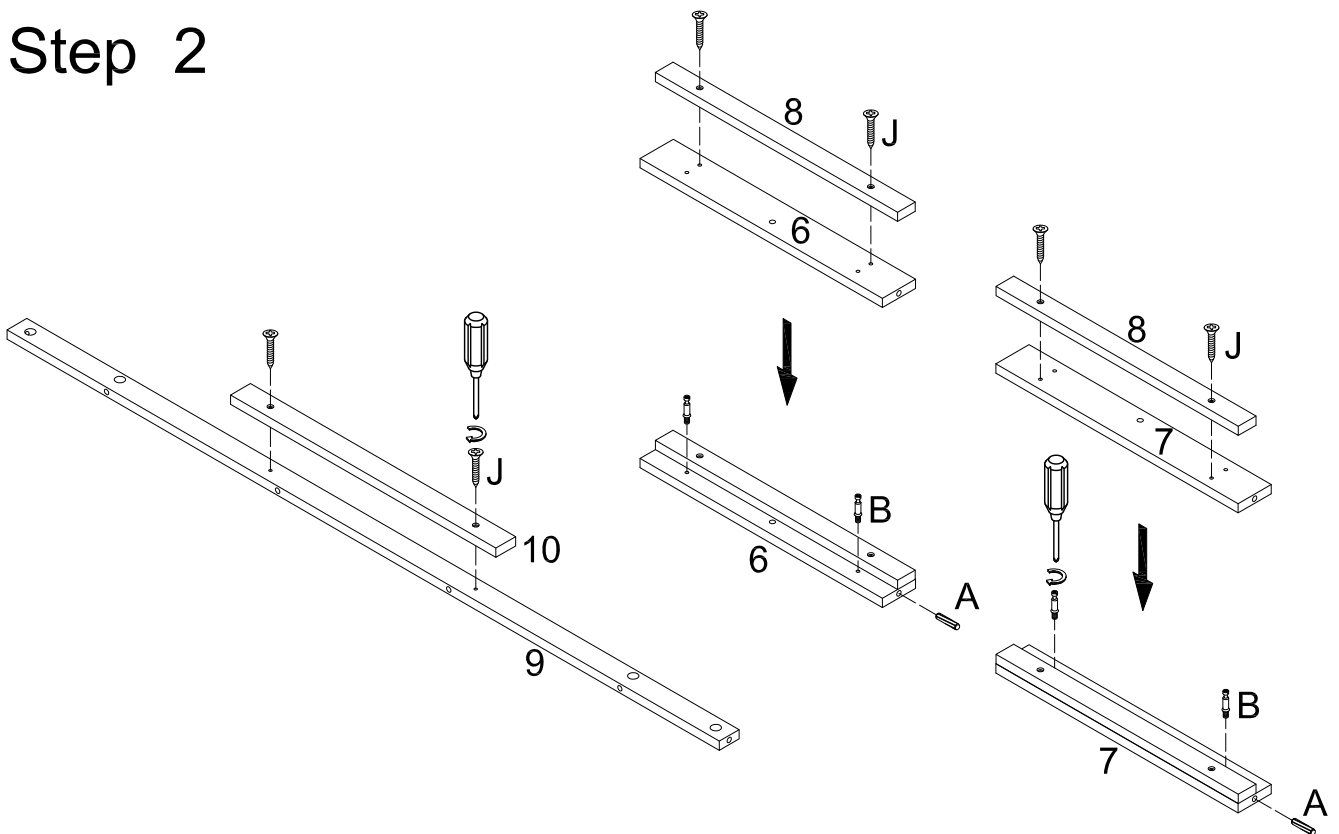
*The hardware quantities listed above are required for proper assembly.
Some extra hardware may also have been included.*

Step 1



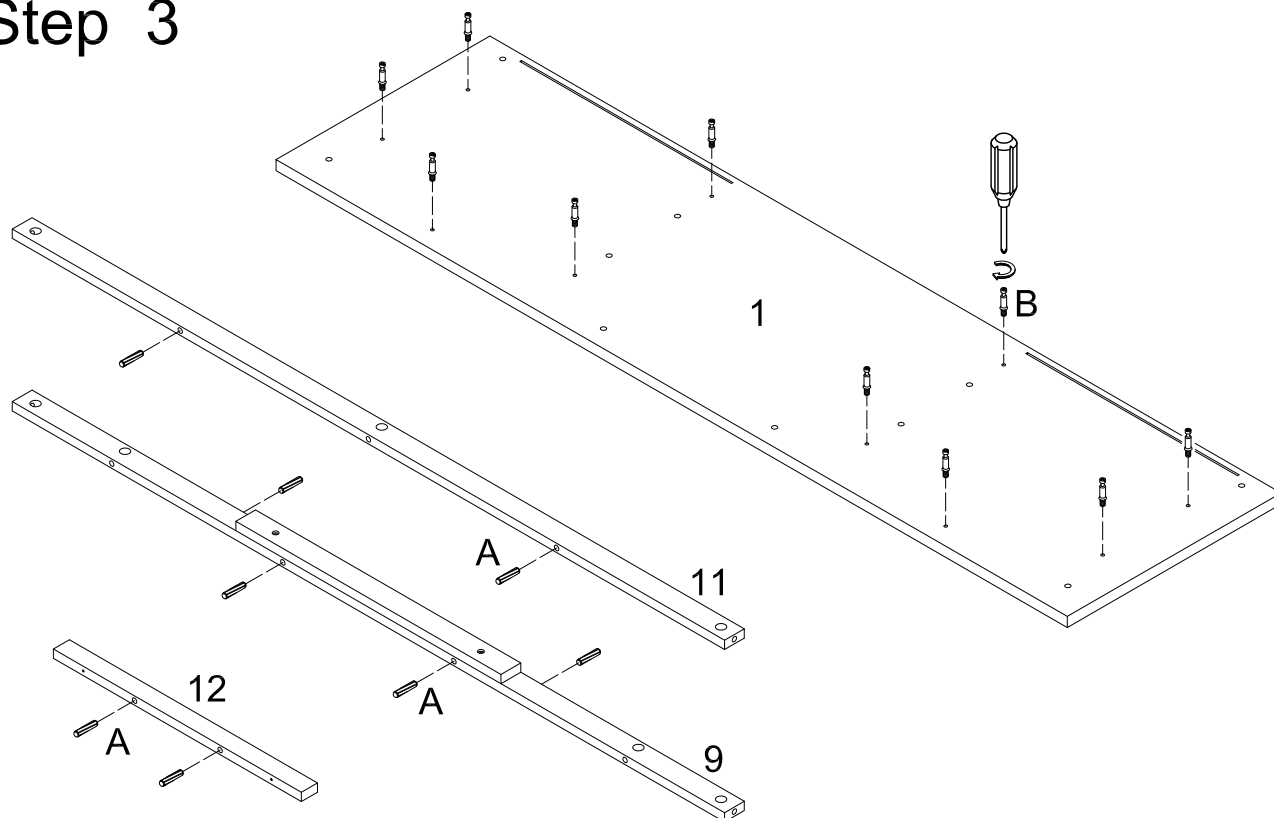
Insert the Wooden Dowel (A) to the Bottom Panel (2) and Side Panel (4)(5).
Insert the Cam Bolt (B) to the Bottom Panel (2) for both sides.

Step 2



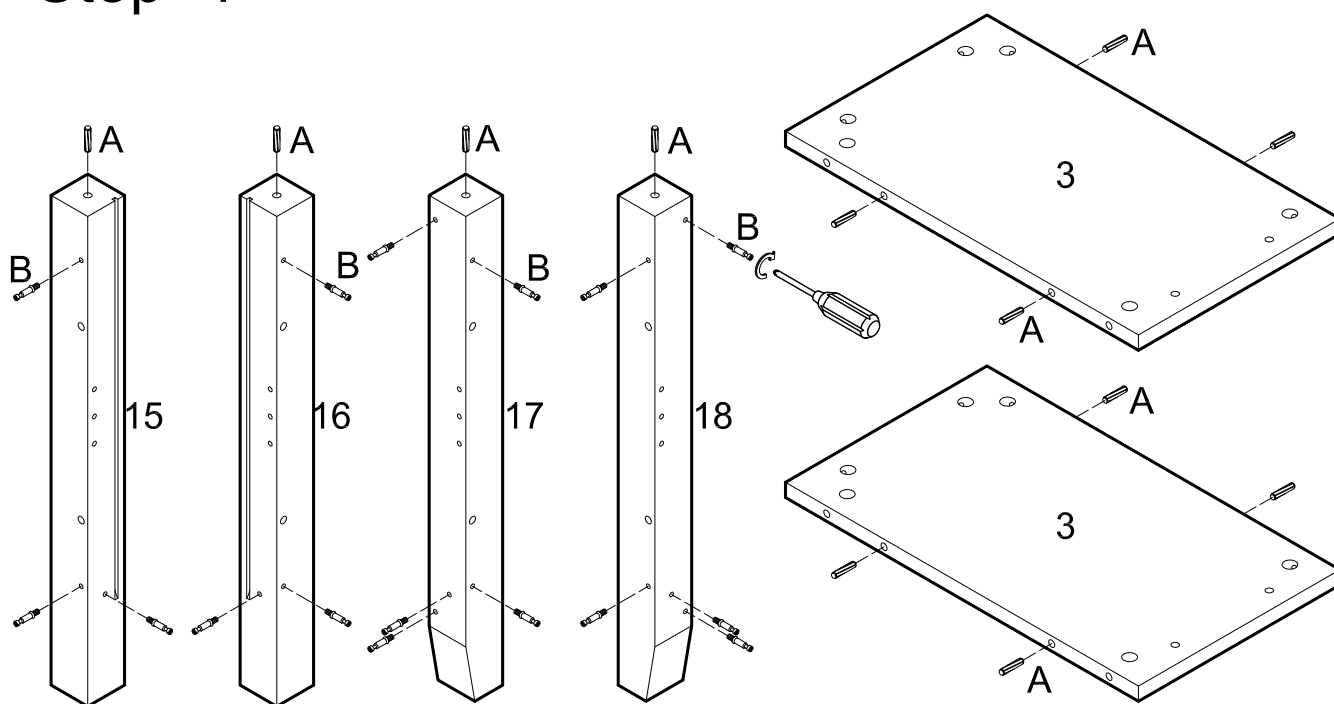
Assemble the Beam (8,10) to the support Front Panel (6,7,9) by using Screw (J).
Also, insert the Wooden Dowel (A) to the Front Panel (6,7)

Step 3



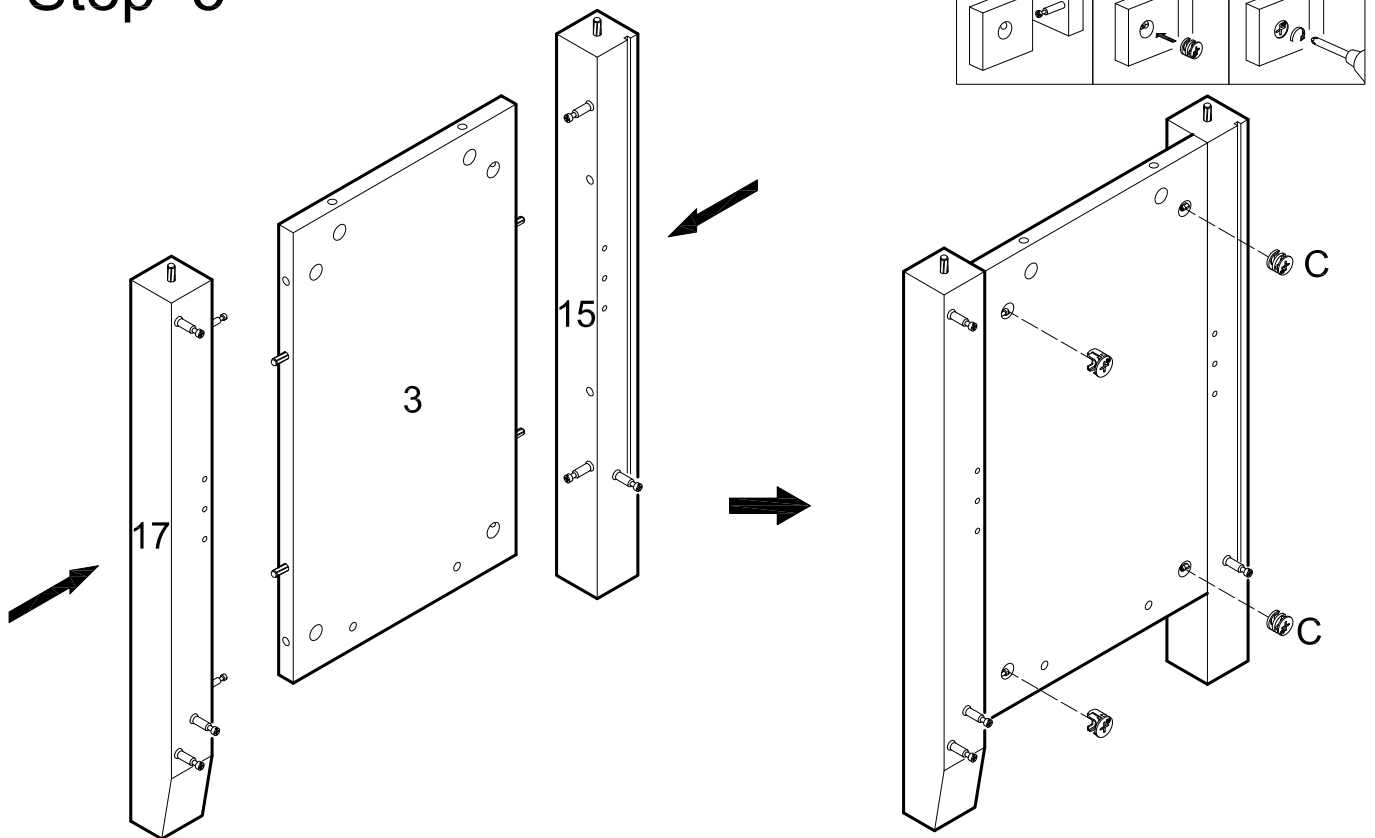
Insert the Cam Bolt (B) to the Top Panel (1), Insert the Wooden Dowel (A) to the Front Panel (9,11,12)

Step 4



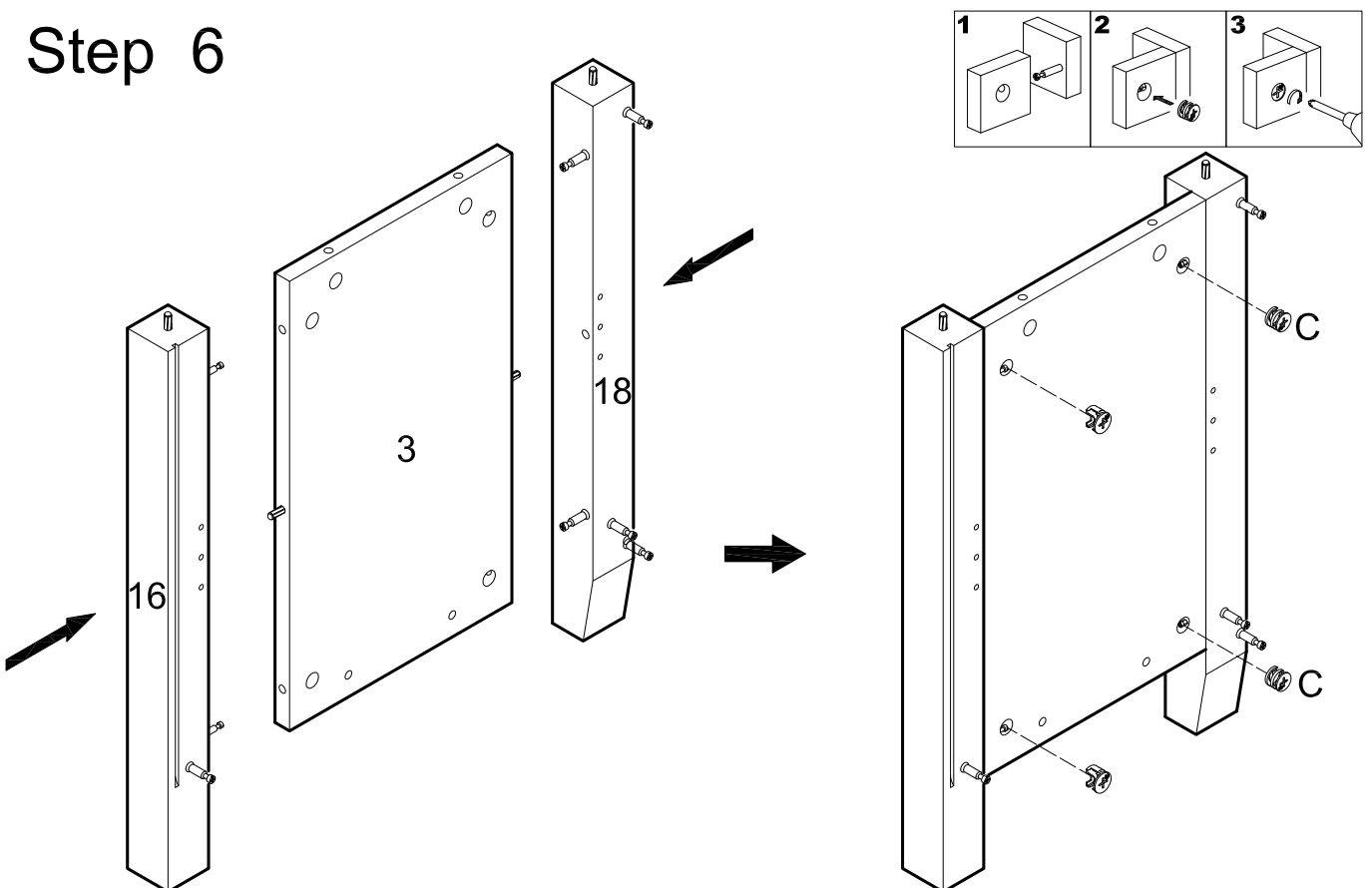
Insert the Wooden Dowel (A), Cam Bolt (B) to the Wooden Legs (15,16,17,18)
Insert the Wooden Dowel (A) to the Side Panel (3)

Step 5



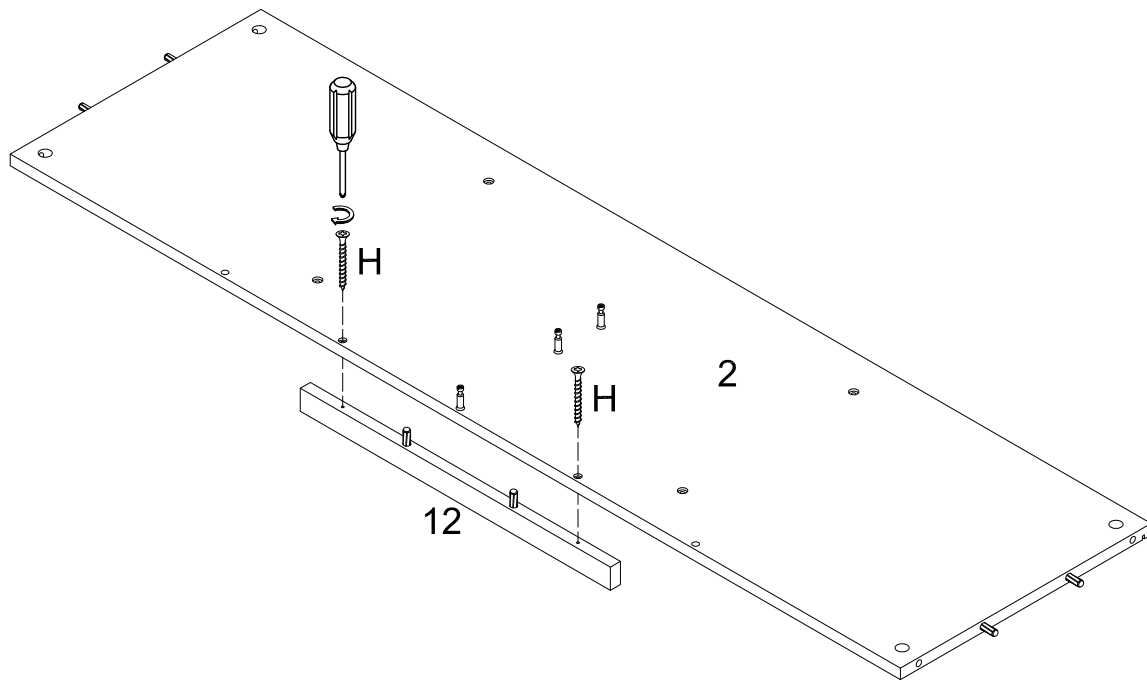
Use Cam Lock (C) to assemble the Wooden Legs (15,17) to the Side Panel (3)

Step 6



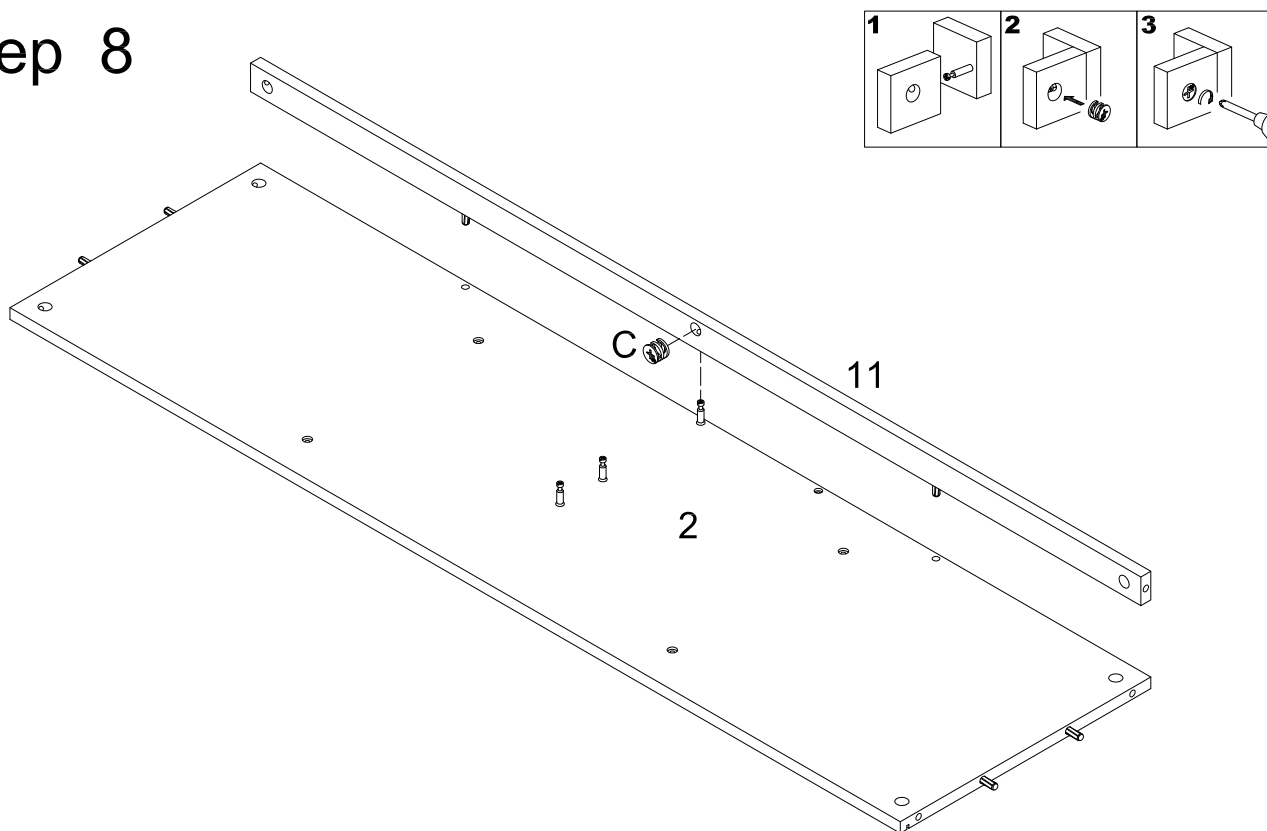
Repeat Step #5 for Wooden Legs (16,18)

Step 7



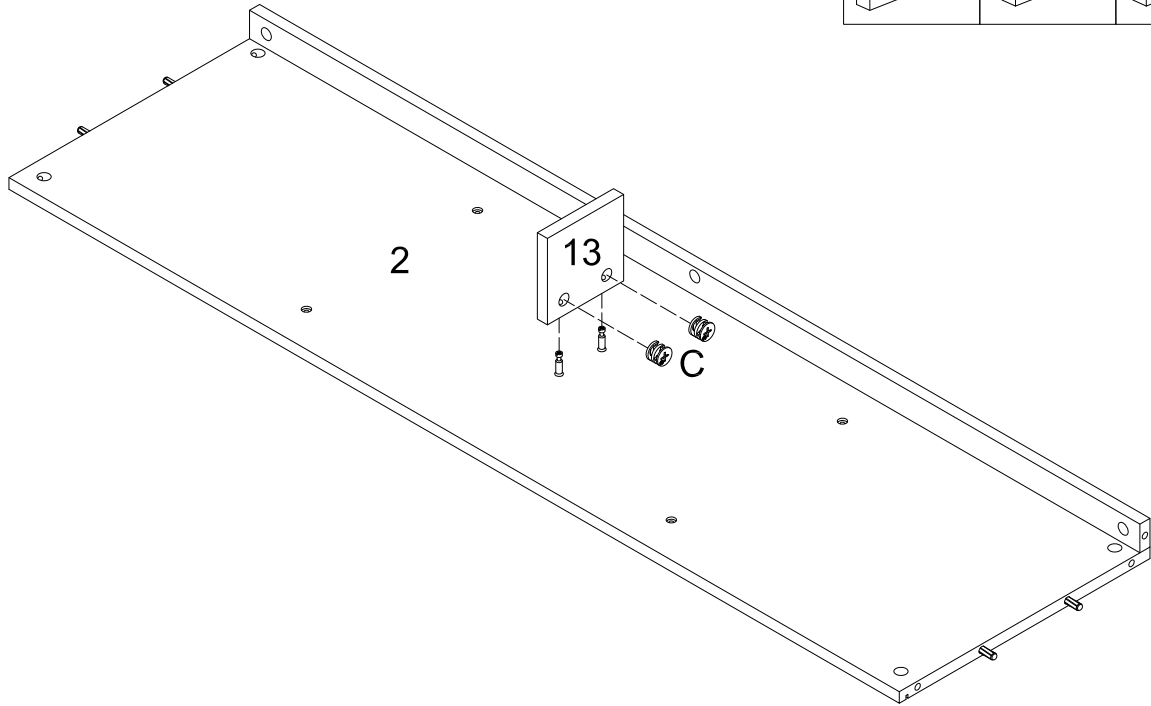
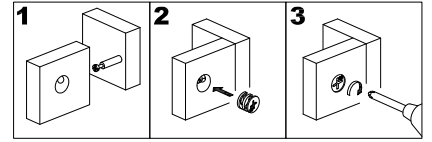
Upside Down the Bottom Panel (2) and assemble the Front Panel (12) with Screw (H)

Step 8



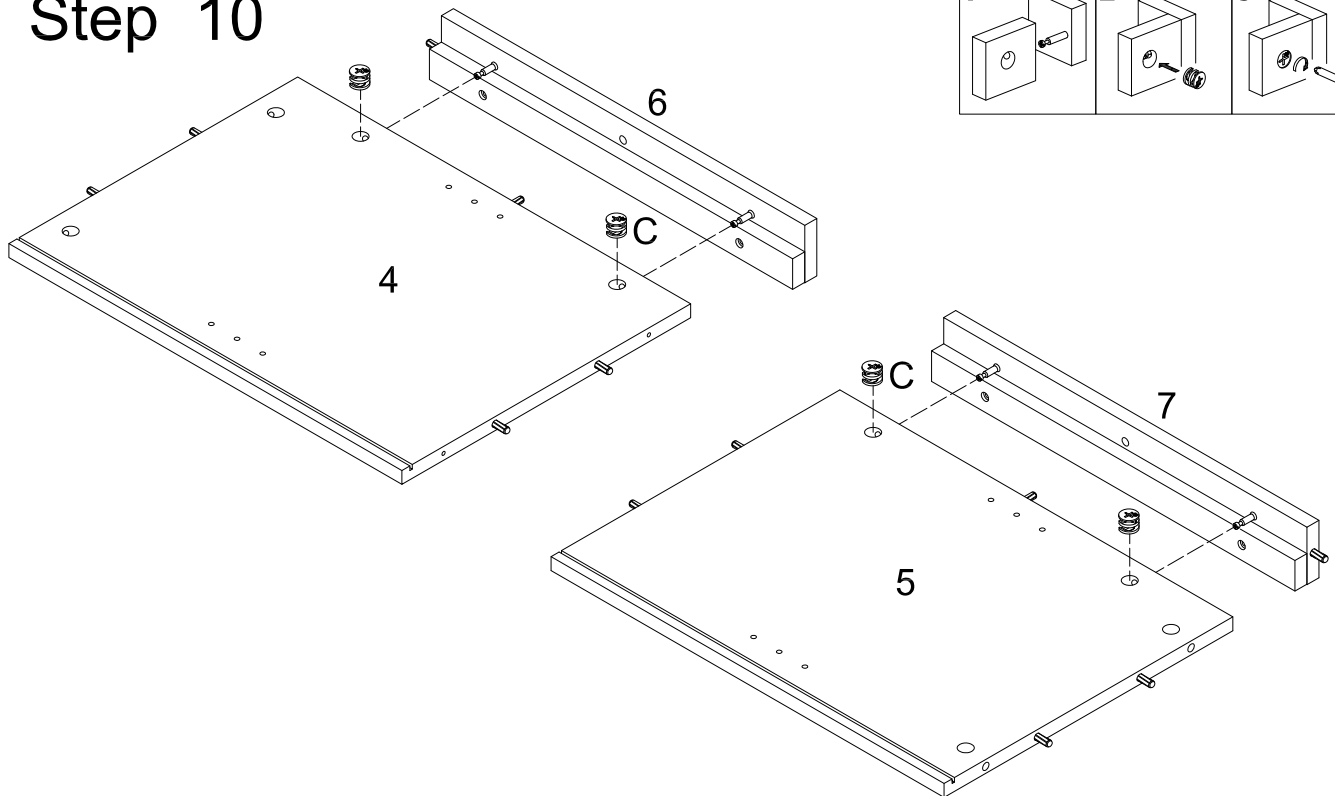
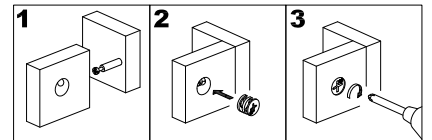
Use Cam Lock (C) to assemble the Front Panel (11) to the Bottom Panel (2)

Step 9



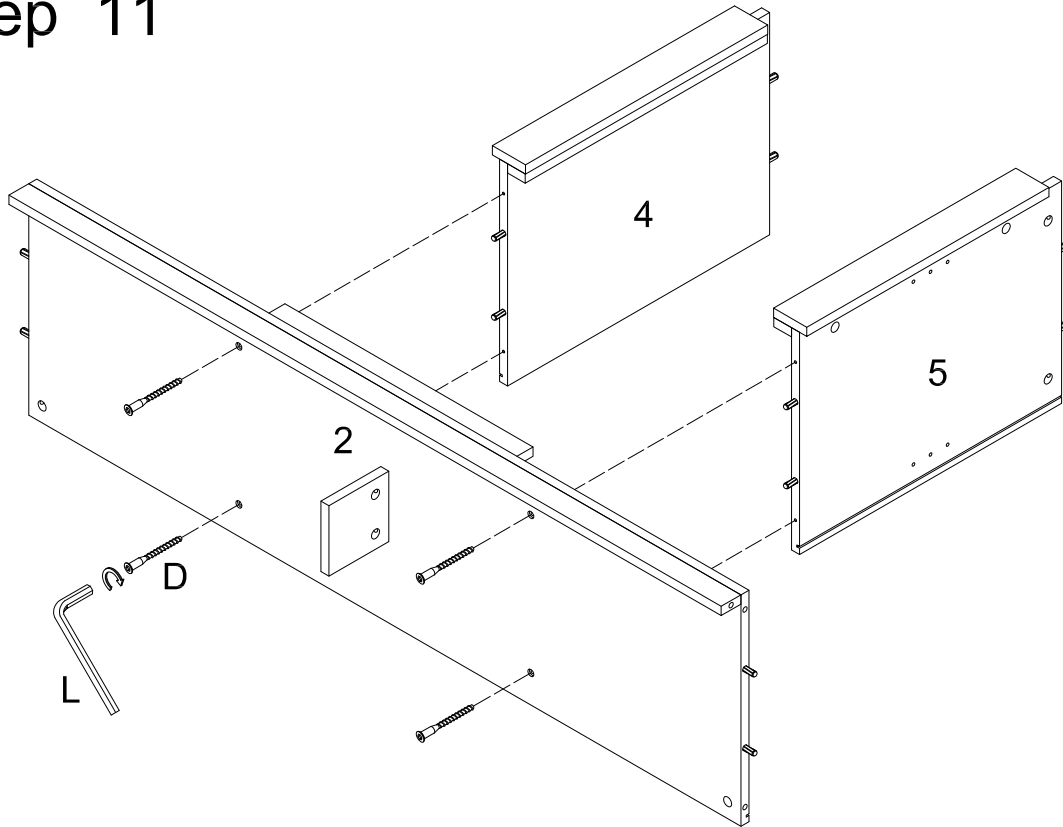
Use Cam Lock (C) to assemble the Support Panel (13) to the Bottom Panel (2)

Step 10



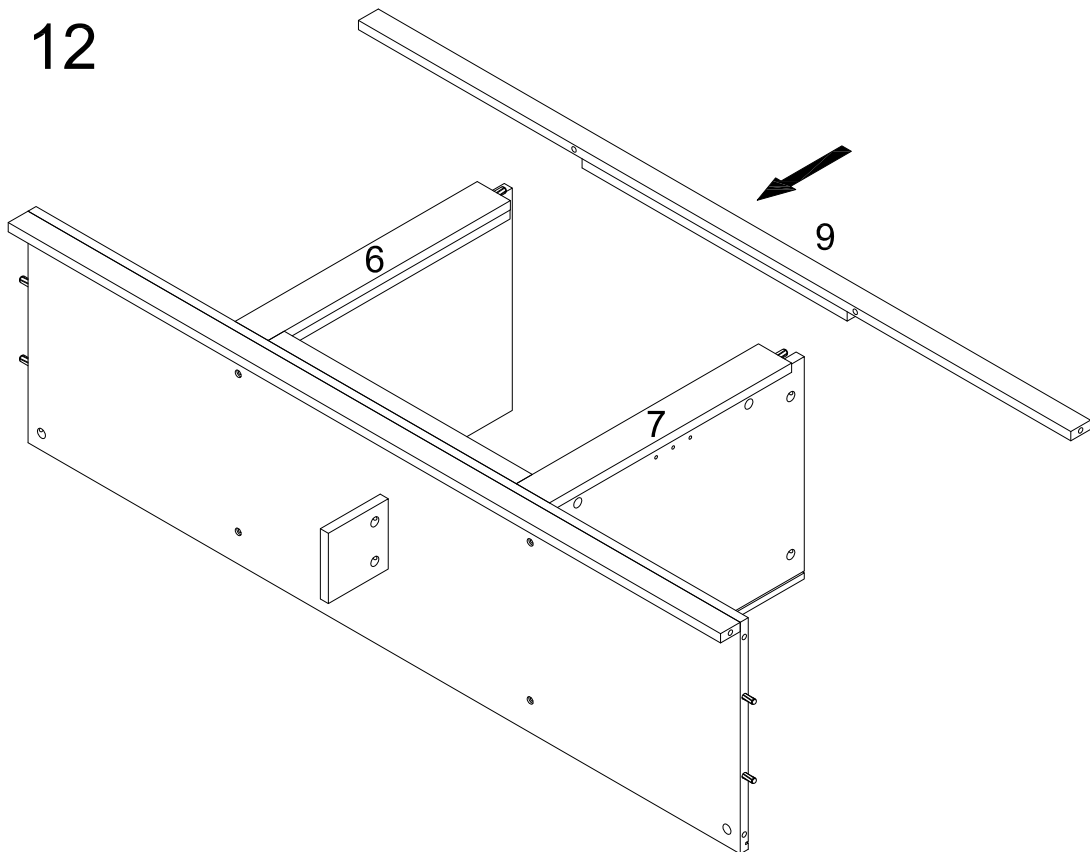
Use Cam Lock (C) to assemble the Front Panel (6,7) to the Side Panel (4,5)

Step 11



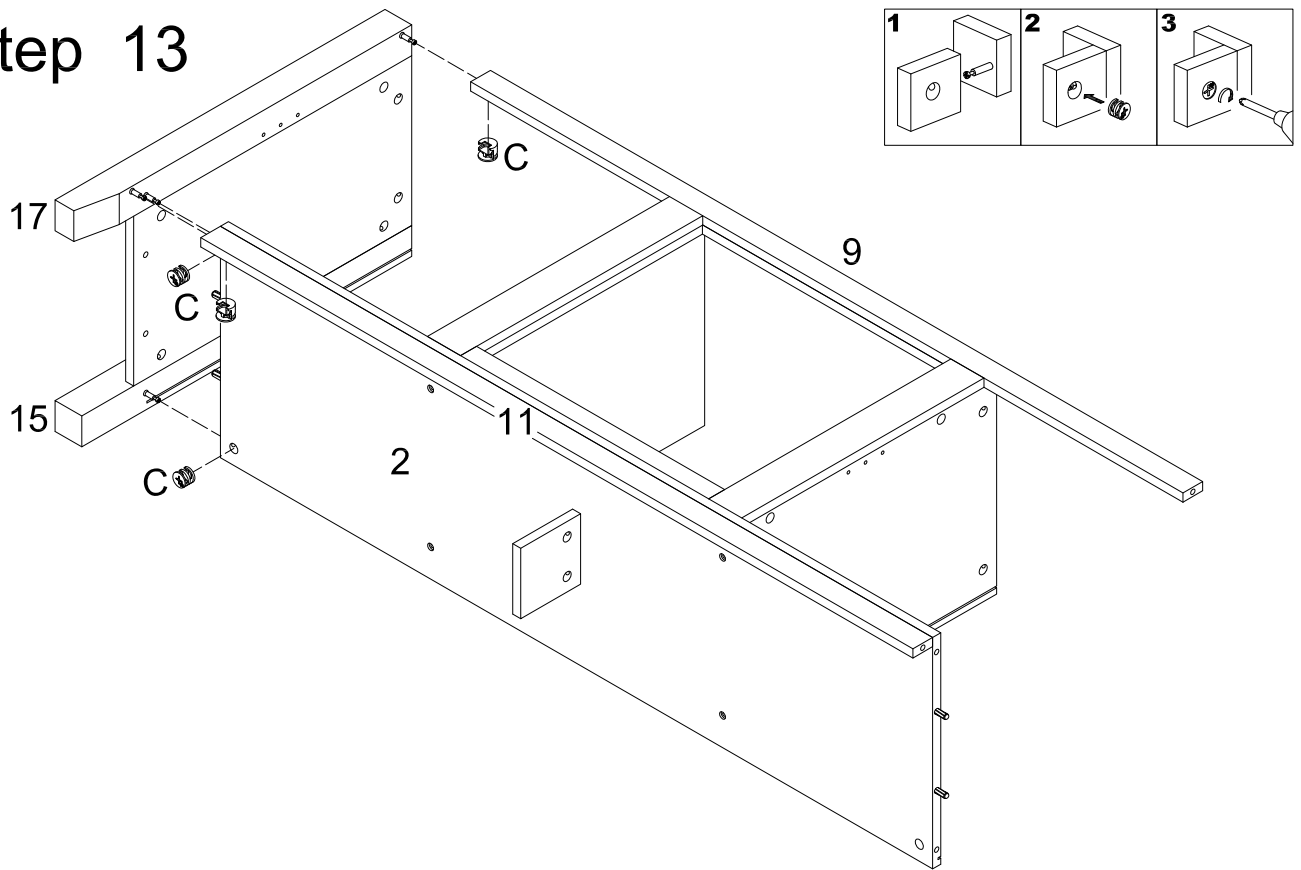
Assemble the Side Panel (4,5) to the Bottom Panel (2) and secure it by Bolt (D) and Wrench (L)

Step 12



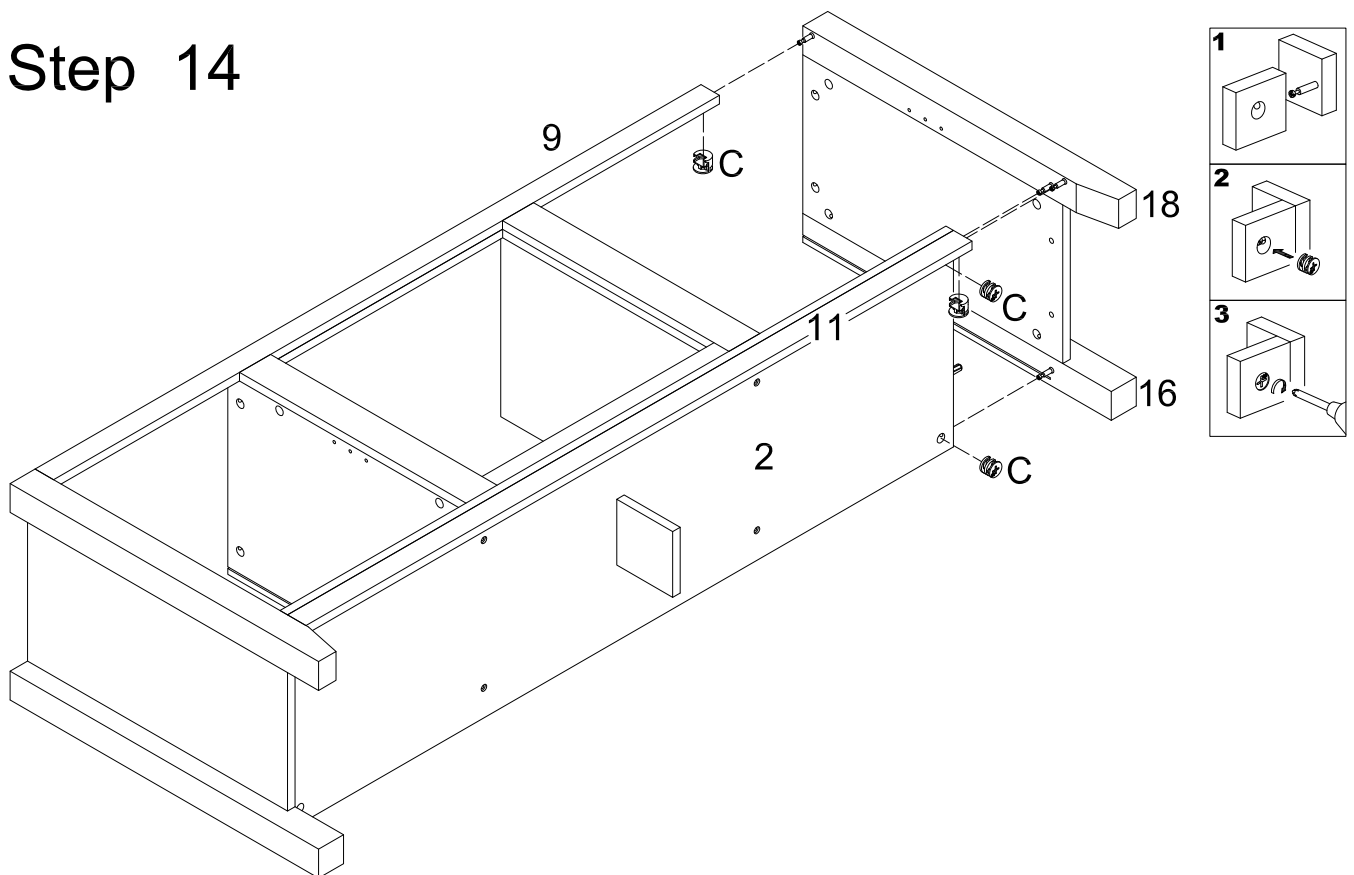
Insert the Front Panel (9) to the Front Panel (6,7)

Step 13



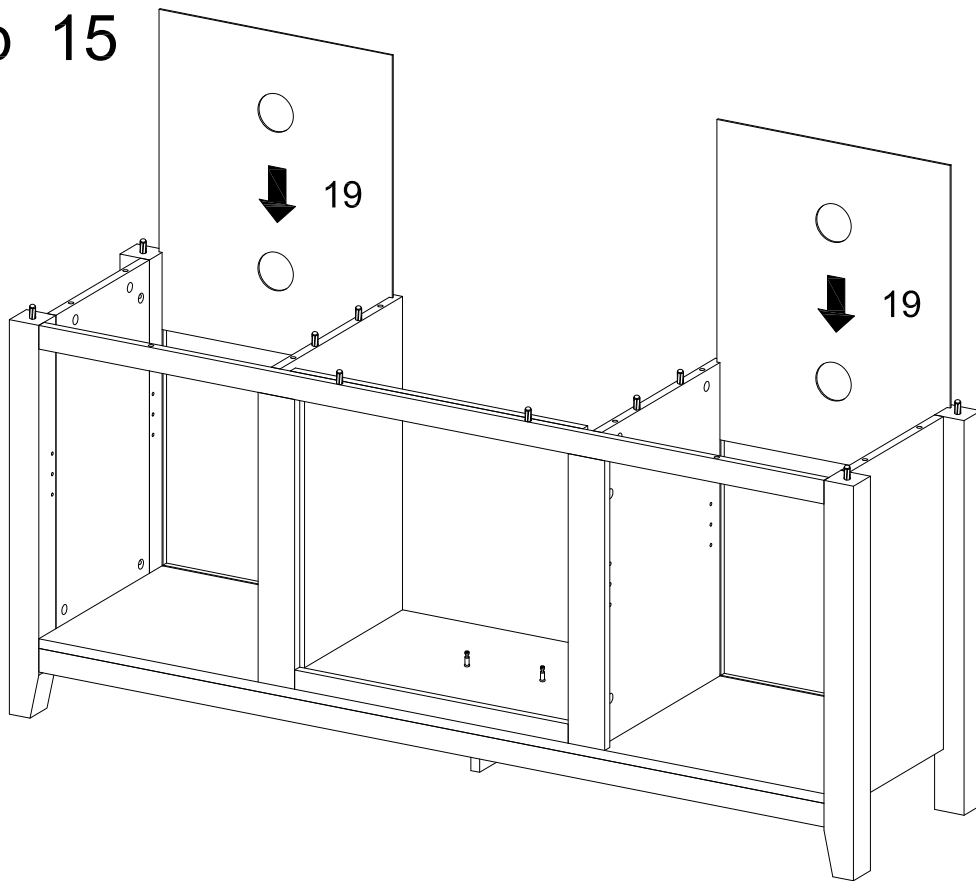
Assemble the Wooden Leg (15,17) to the Front & Bottom Panel (2,9) and secure it with Cam Lock (C)

Step 14



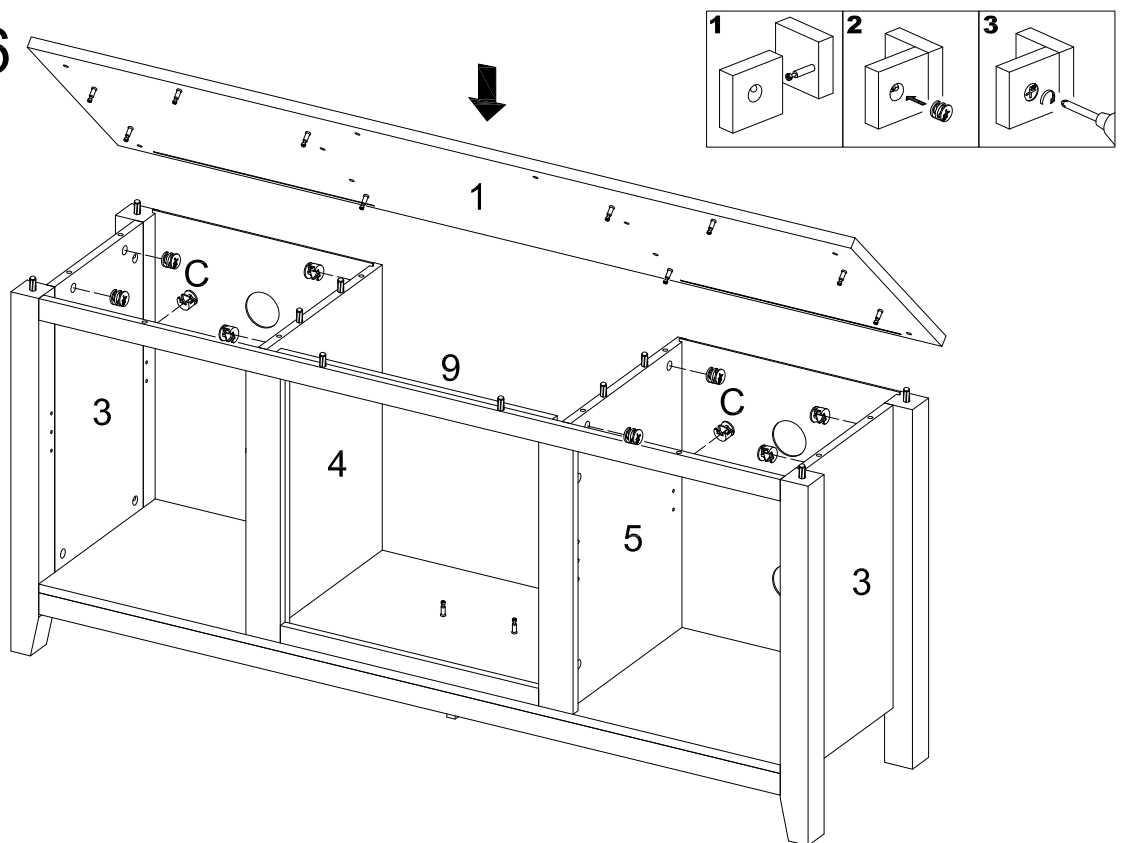
Repeat Step #13 for Wooden Leg (16,18)

Step 15



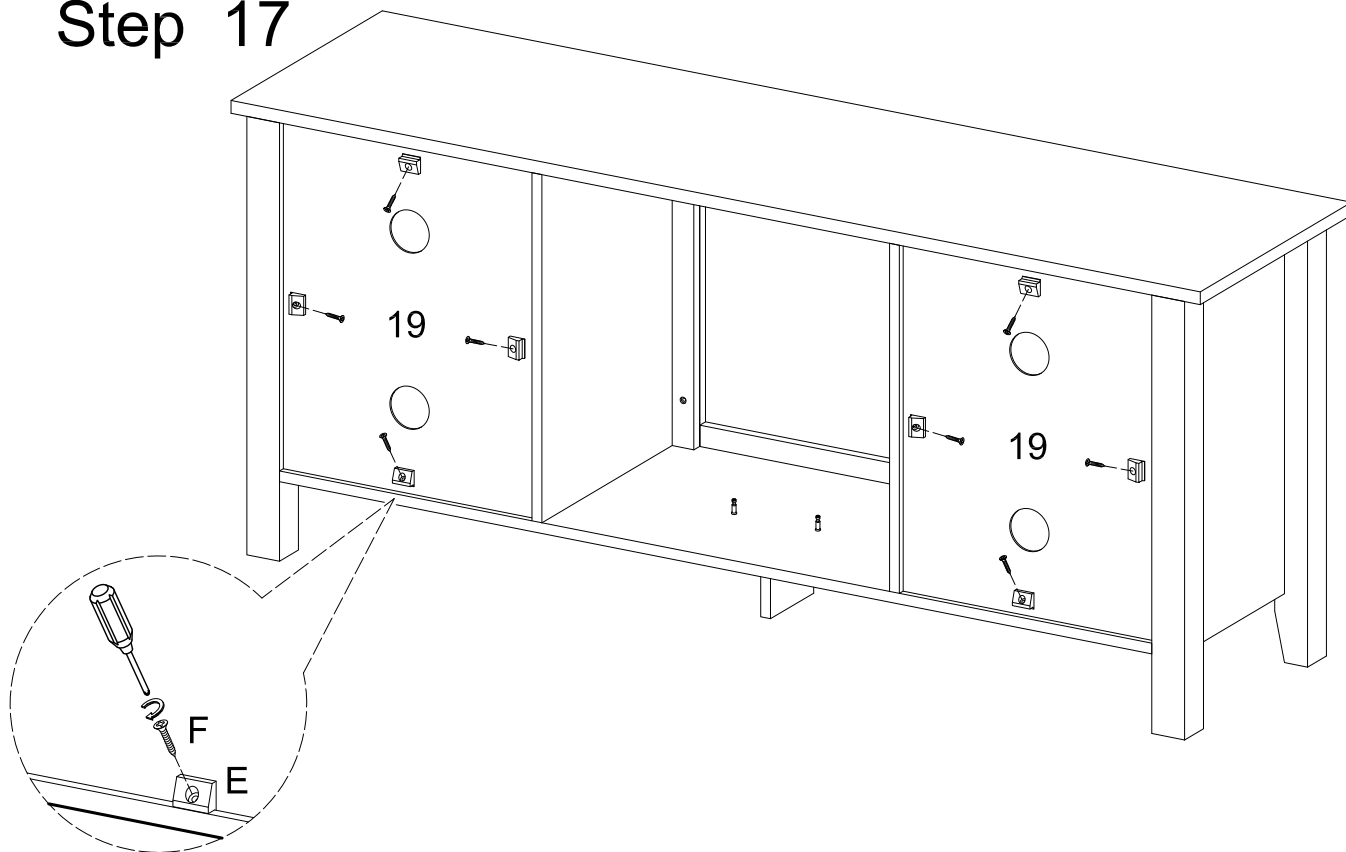
Right Up the Stand and slot in the Back Panel (19) to the Side Panels

Step 16



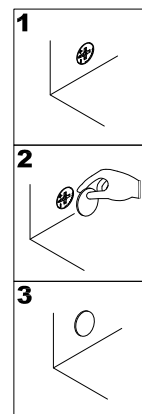
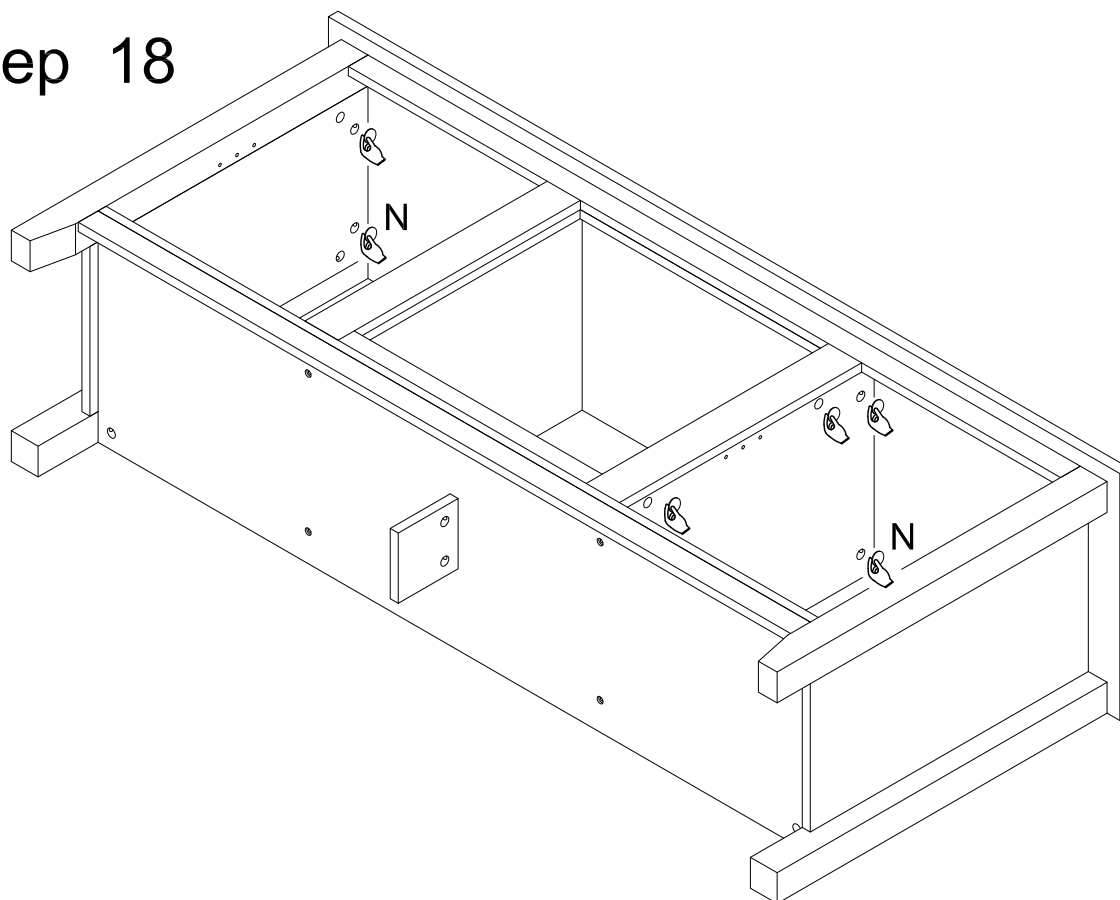
Place the Top Panel (1) to the Stand and Secure it with the Cam Locks (C)

Step 17



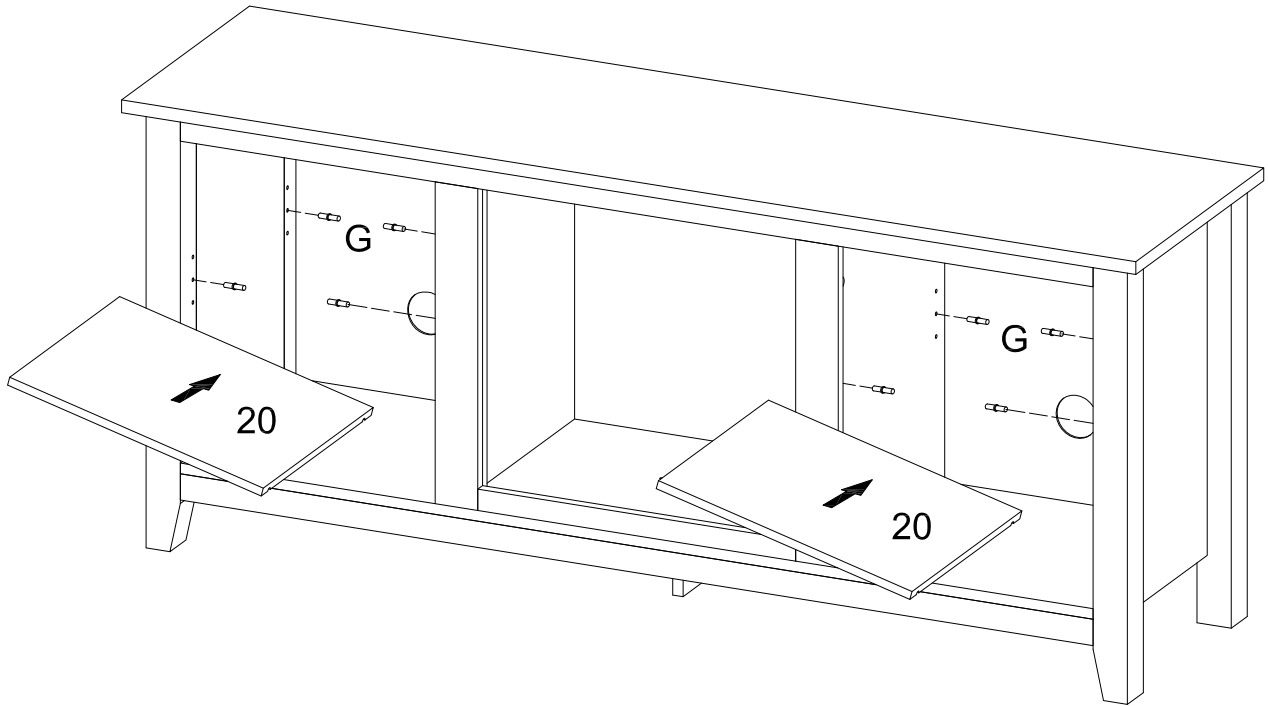
Use Flat-Head Screw (F) and Plastic Wedge (J) to secure the Back Panel (19)

Step 18



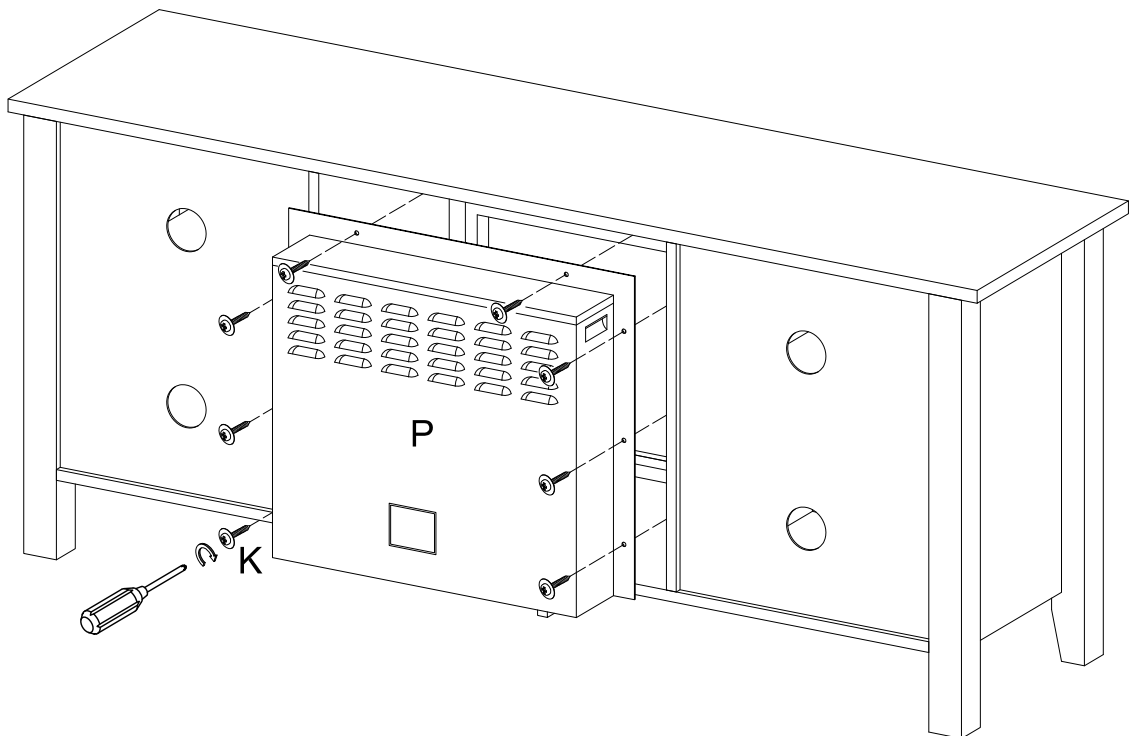
Attached the Sticker (N) to cover the Cam Lock (C)

Step 19



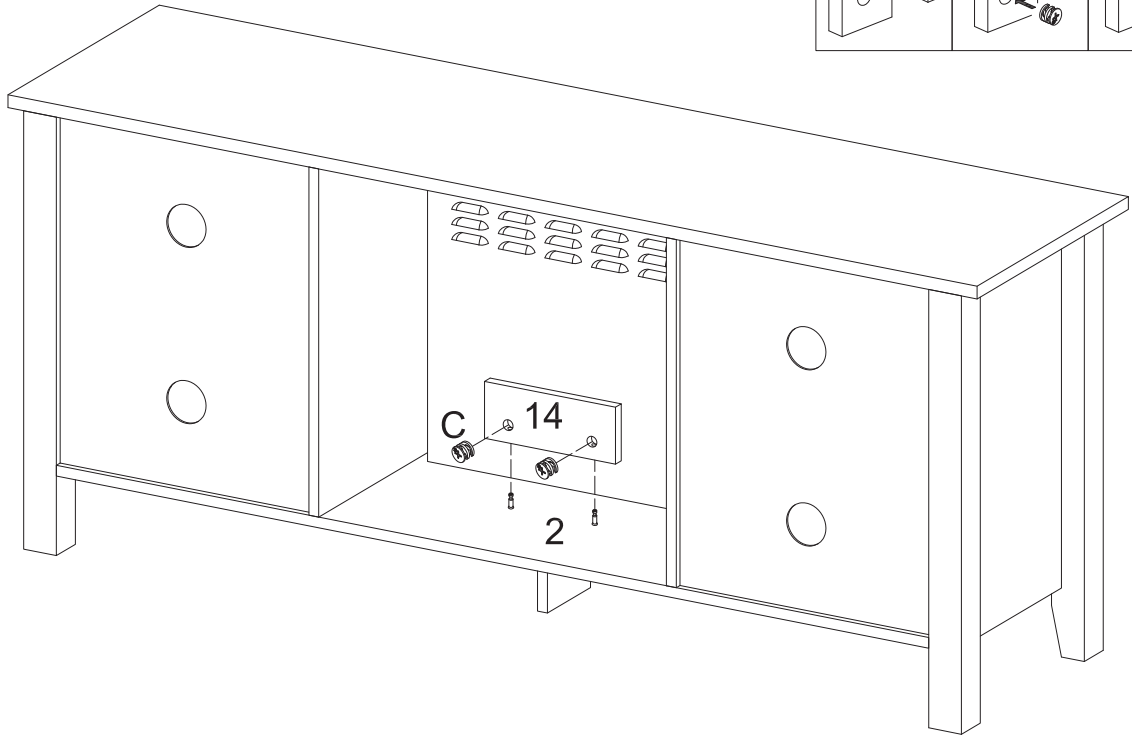
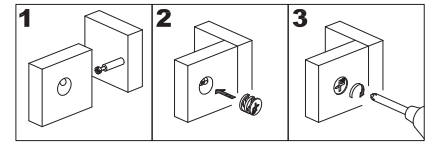
Input the Shelf Support Pin (G) to the Stand and place the Wooden Shelf (20) on top

Step 20



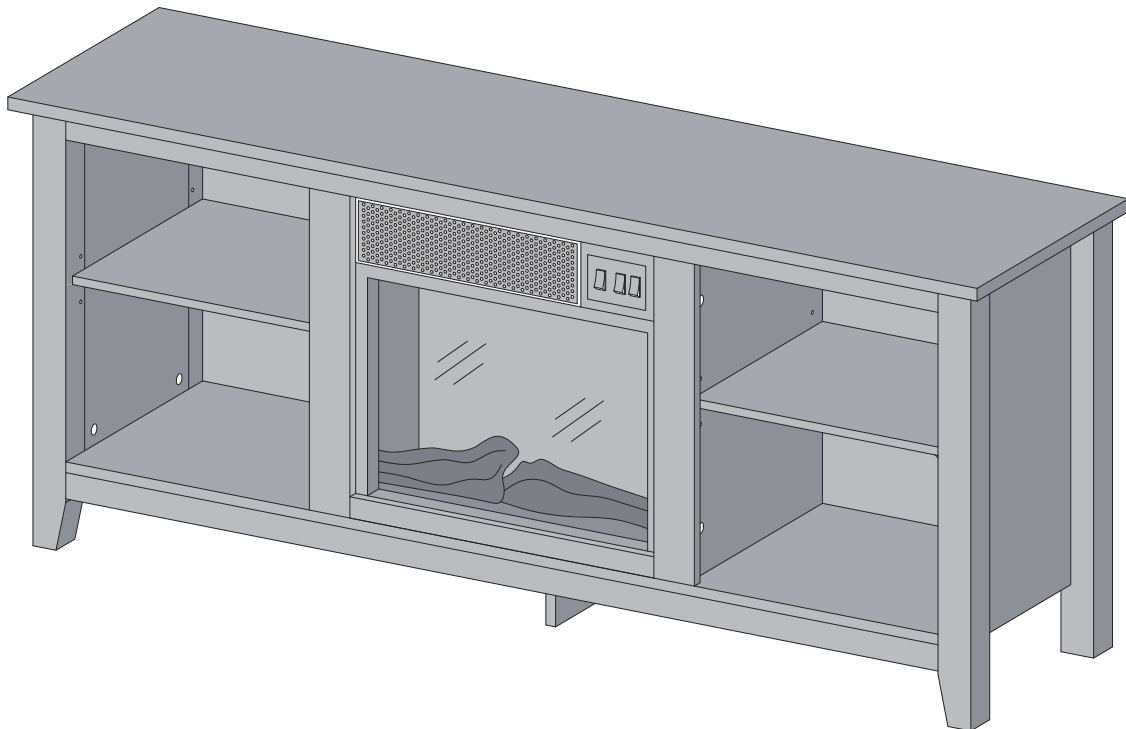
Assemble the Fireplace Insert (P) to the Stand and secure it with Screw (K)

Step 21



For security, use Cam Lock (C) to assemble the Support Panel (14) to the Bottom Panel (2)

Step 22



Final Assembly