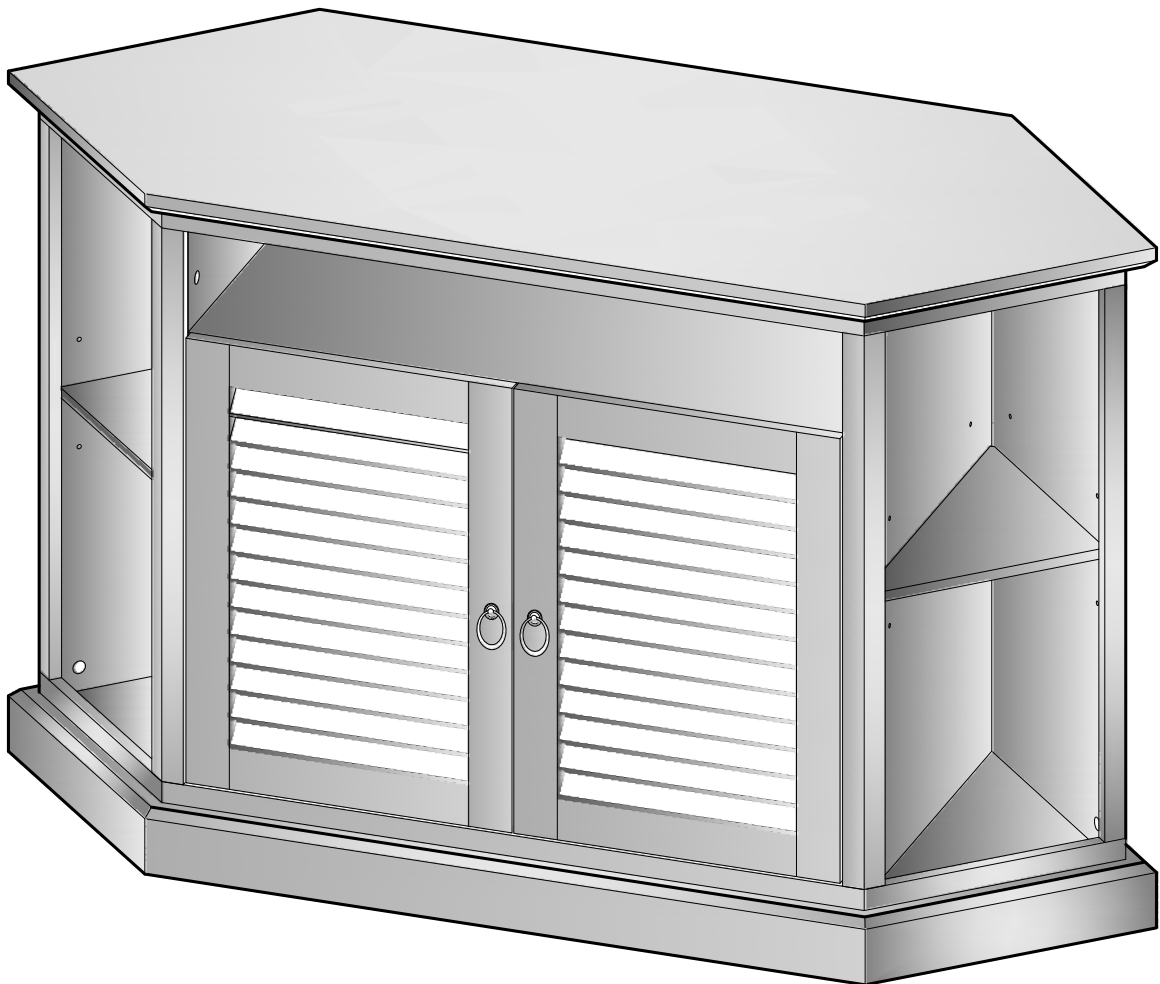


W Walker
E Edison
furniture company

Item #: W52CCR
Assembly Instructions

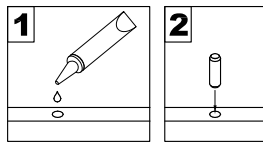


For our most current instructions, to request missing, lost, or broken parts, or for any other Customer Service issues, please visit our website at www.walkeredison.com or call us at 877-207-5906.

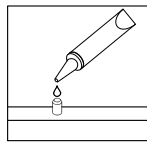
Revised 07/2012

General Assembly Guidelines

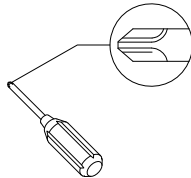
- I. Ensure that all parts and hardware are available before beginning assembly.
- II. Follow each step carefully to ensure the proper assembly of this product.
- III. Two people are recommended for ease in the assembly of this product.
- IV. The main types of hardware used to assemble this product are wood dowels, cam bolts and locks, bolts and screws.
- V. The provided glue is to secure wood dowels in place. When first inserting dowels, locate the appropriate hole for the dowel, place a small amount of glue in the hole and insert the dowel. Wipe away excess glue immediately.



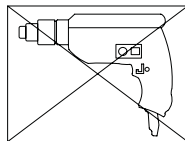
In future assembly steps when dowels are necessary to attach assembly parts together, place a small amount of glue on the end of the dowel before attaching parts together. Wipe away excess glue immediately.



- VI. A Phillips head screwdriver is required for the assembly of this product.

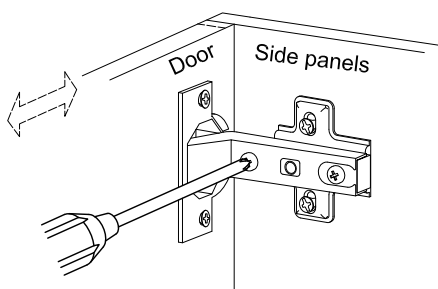


- VII. Power tools should not be used to assemble this product.

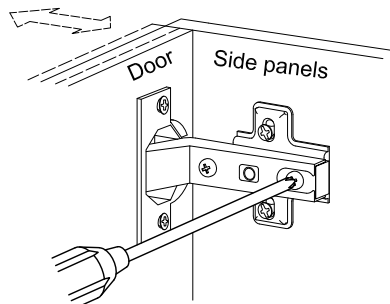


- VIII. The hinges of this product can be adjusted three ways:

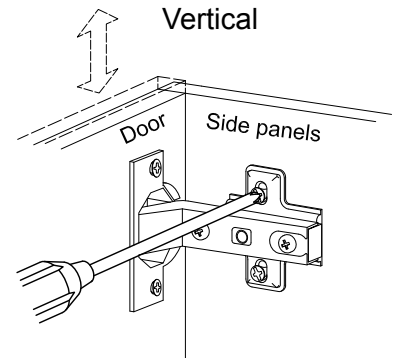
Horizontal



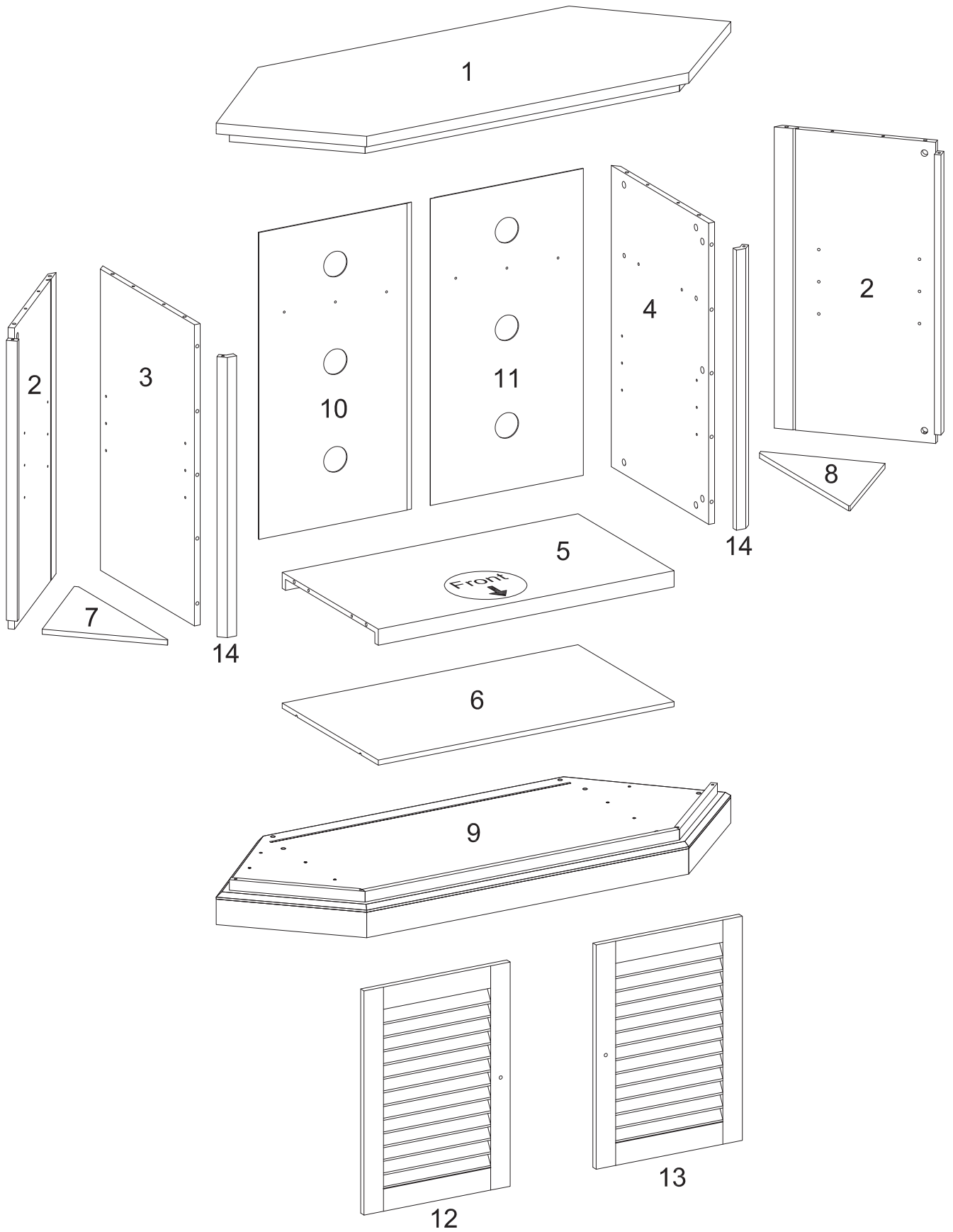
Forward and Back





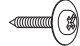

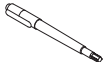
Vertical



Parts List

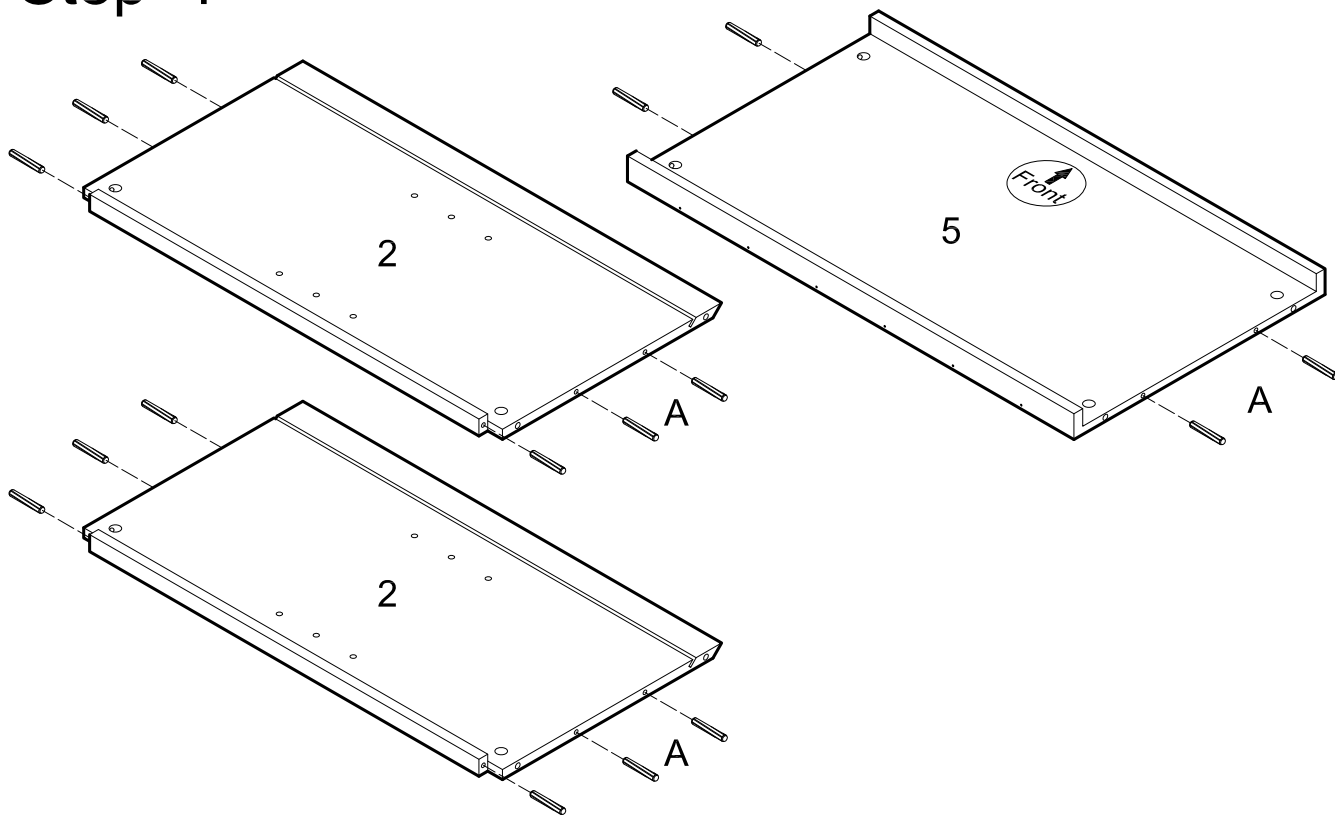


Hardware List

A		Ø6x30mm	Wood dowel	32 pcs
B		Ø6x32mm	Cam bolt	26 pcs
C		Ø15x9.5mm	Cam lock	26 pcs
D			Handle	2 pcs
E		Ø9mmx5/32"x3/4"	Bolt	2 pcs
F			Shelf support pin	12 pcs
G			Hinge	4 pcs
H		Ø4x12	Screw	16 pcs
J		Ø7x3x12mm	Screw	6 pcs
K			Sticker	26 pcs
L			Glue tube	2 pcs
M			Touch-up marker	1 pc

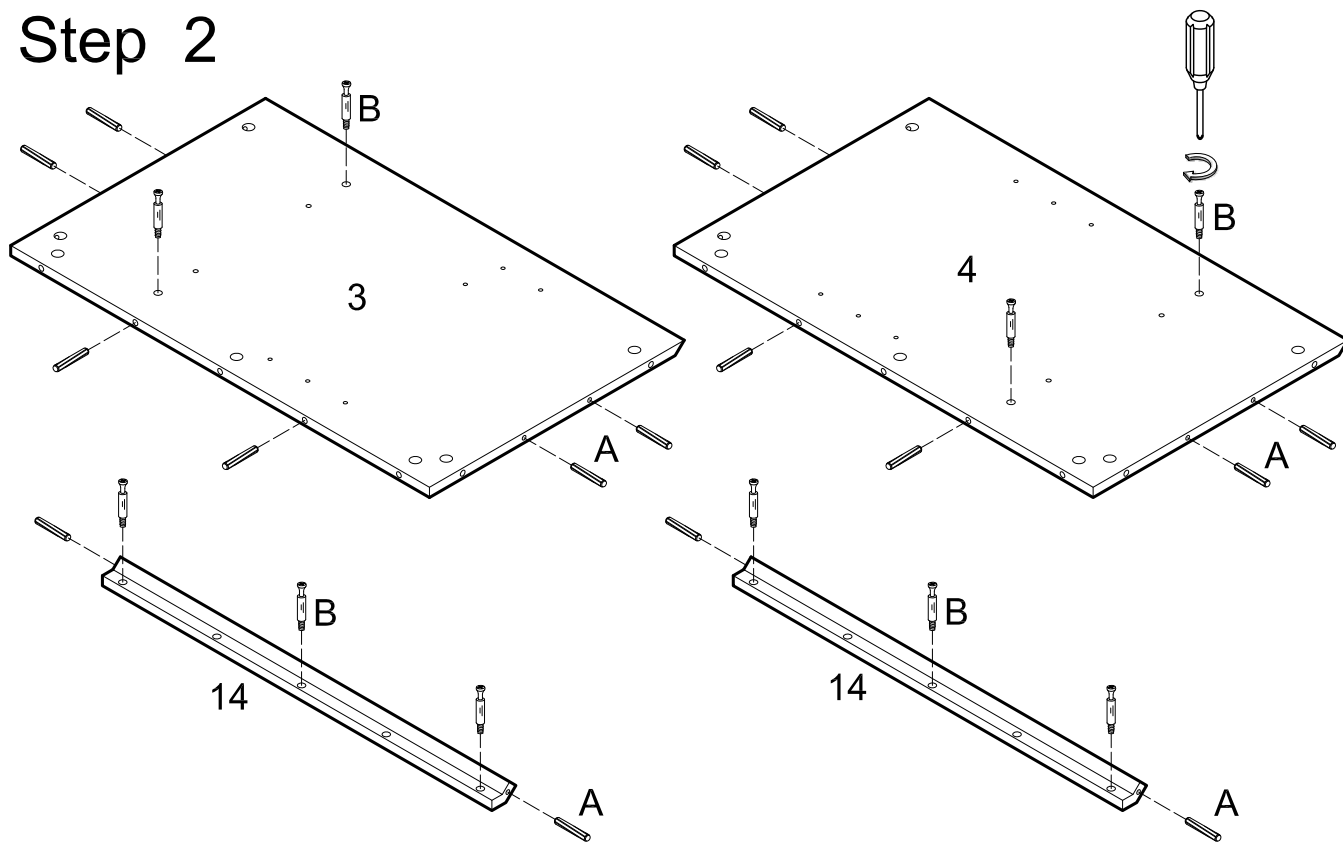
*The hardware quantities listed above are required for proper assembly.
Some extra hardware may also have been included.*

Step 1



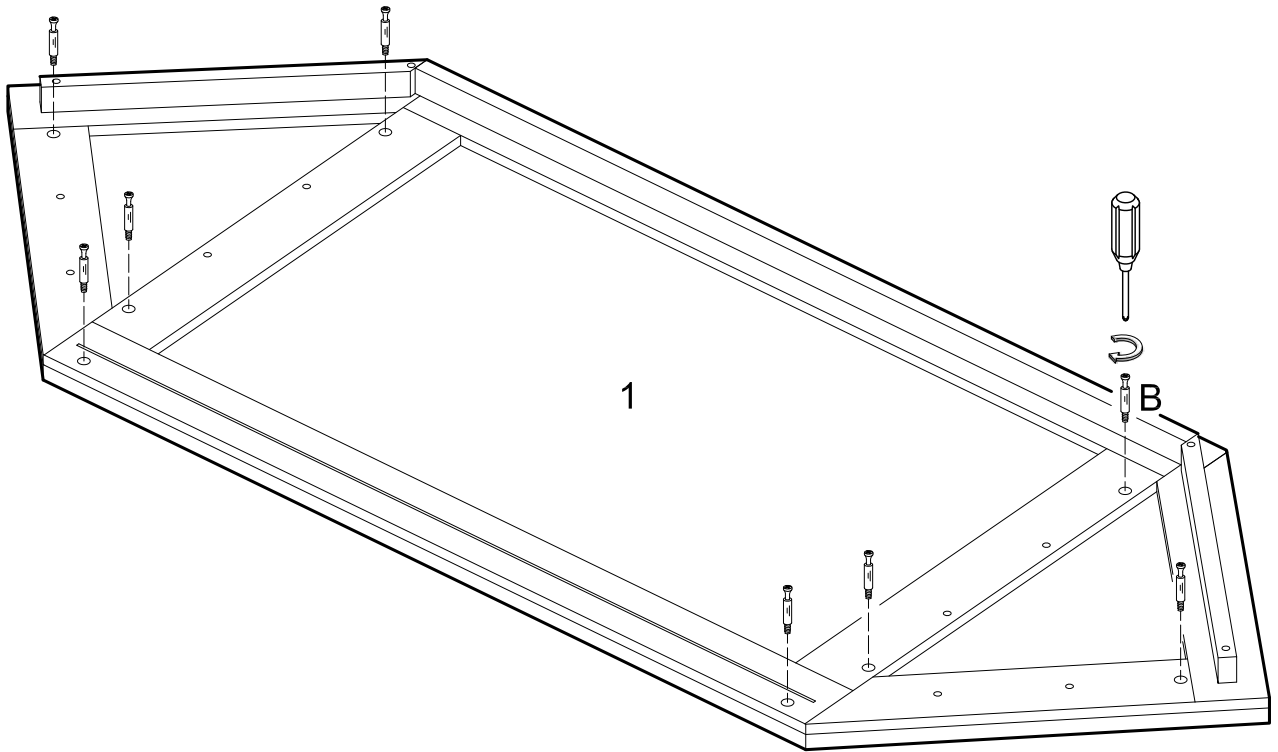
Insert dowels (A) into panels (2,5).

Step 2



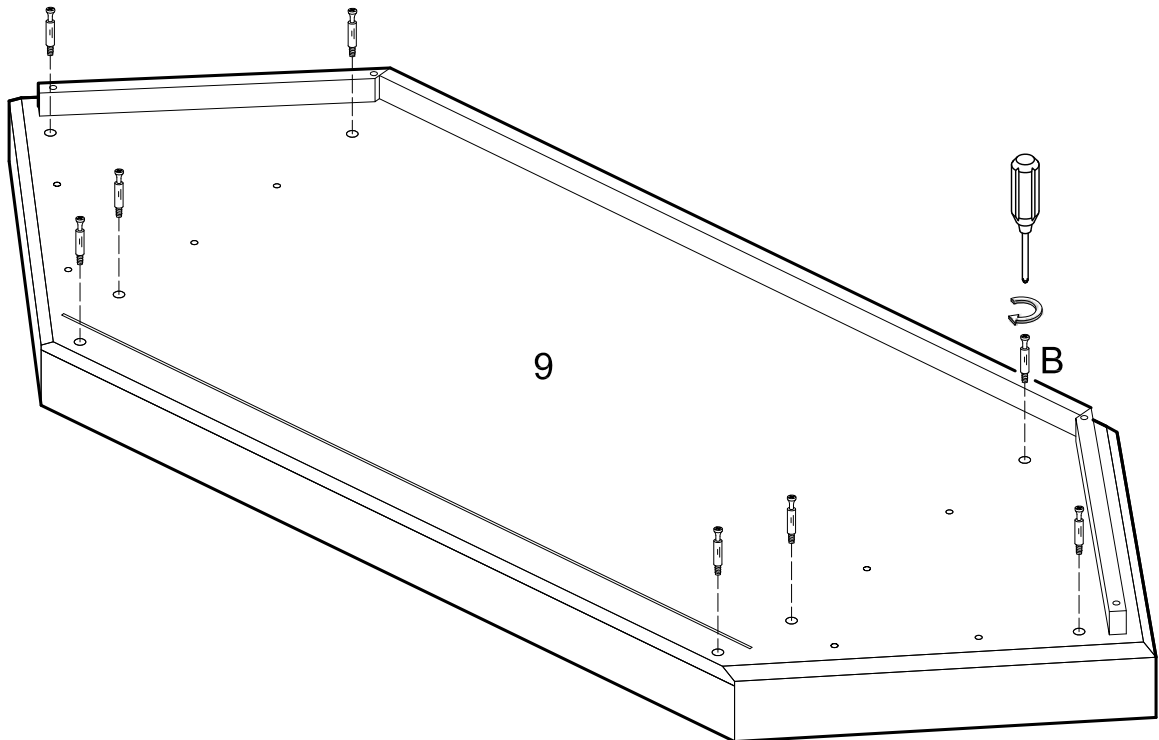
Insert dowels (A) into panels (3,4) and slats (14). Screw cam bolts (B) into panels (3,4) and slats (14).

Step 3



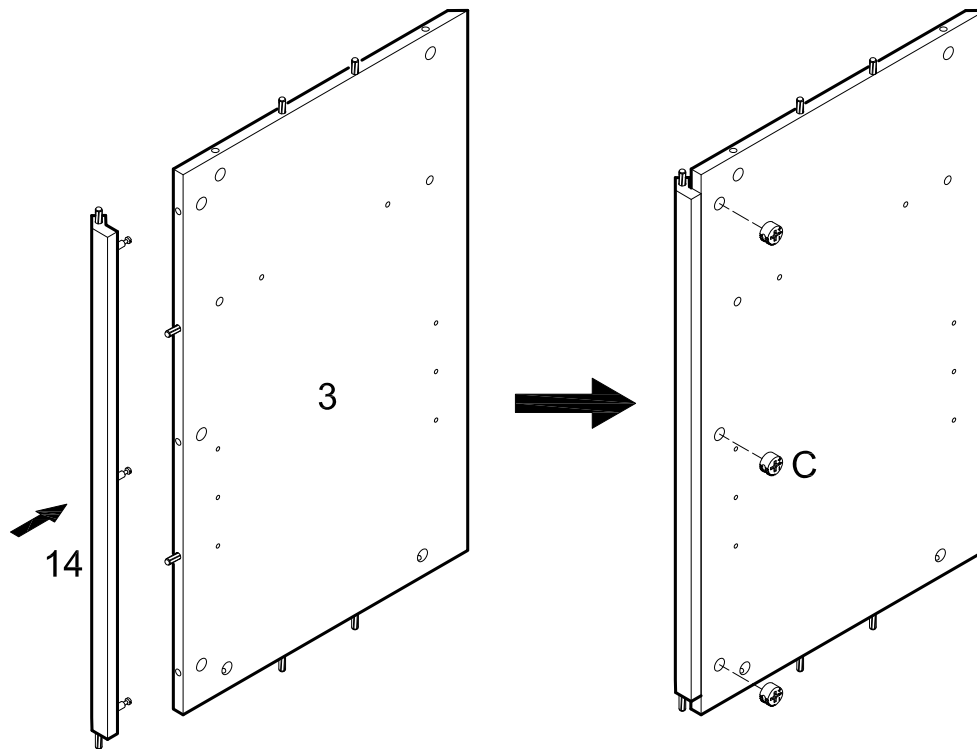
Screw cam bolts (B) into top panel (1).

Step 4



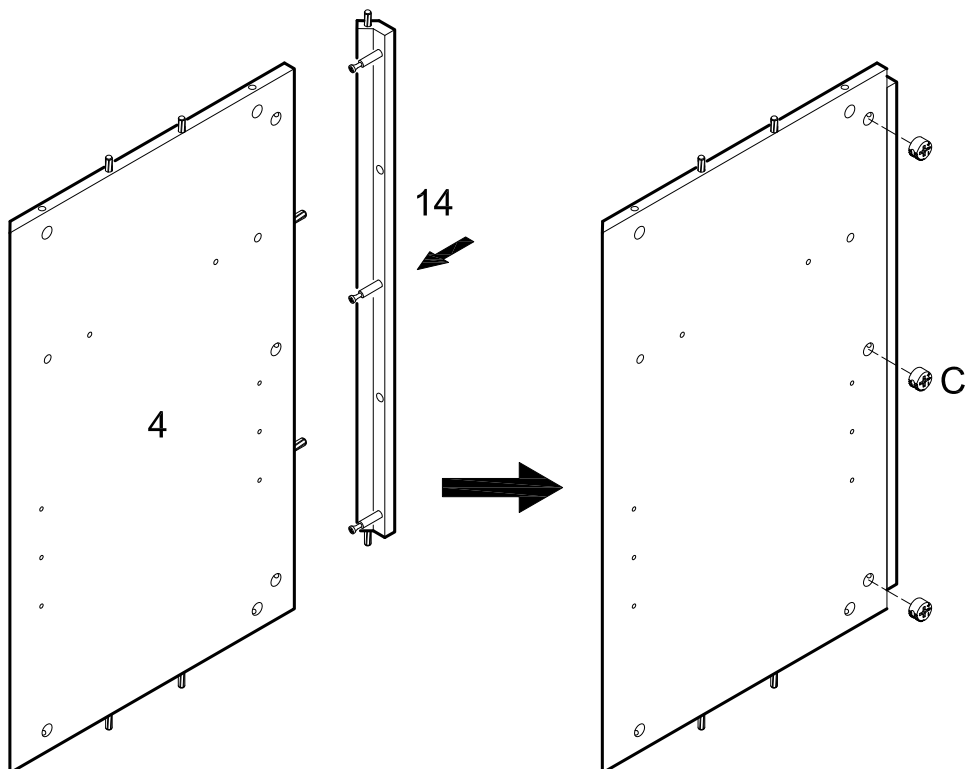
Screw cam bolts (B) into bottom panel (9).

Step 5



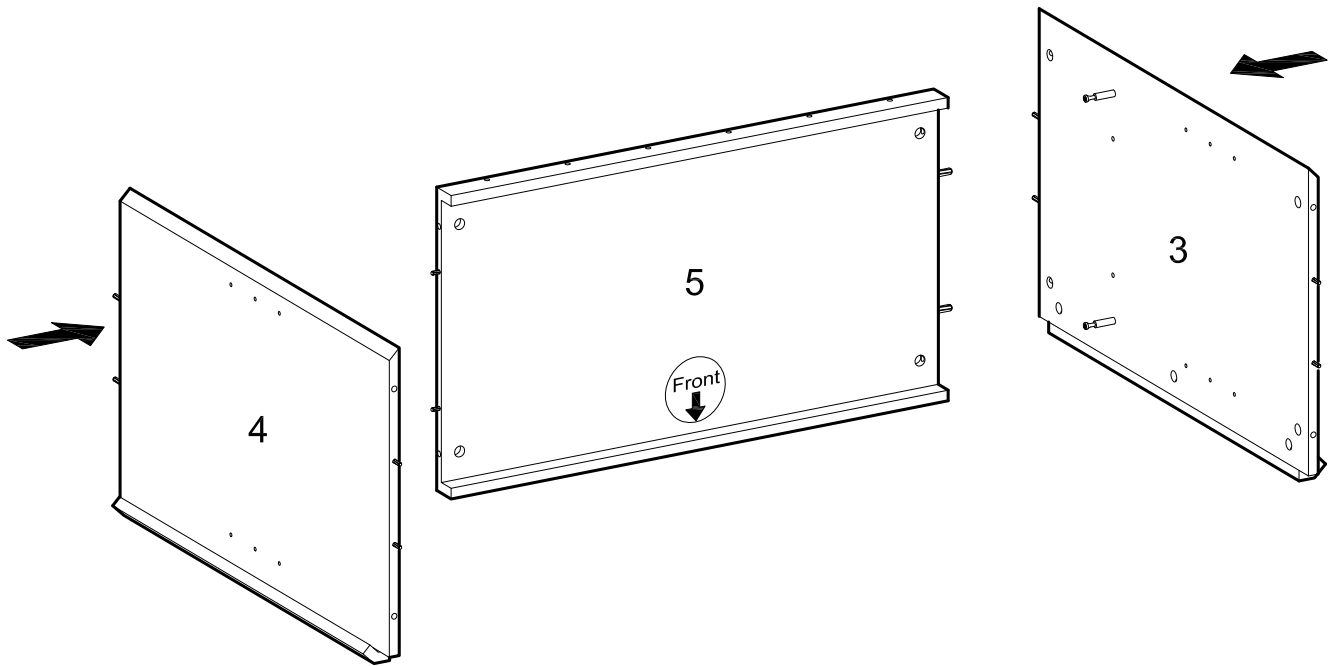
Attach slat (14) to panel (3) using cam bolts and dowels as guides. Secure the two pieces together using cam locks (C). Tighten cam locks (C) with a screwdriver.

Step 6



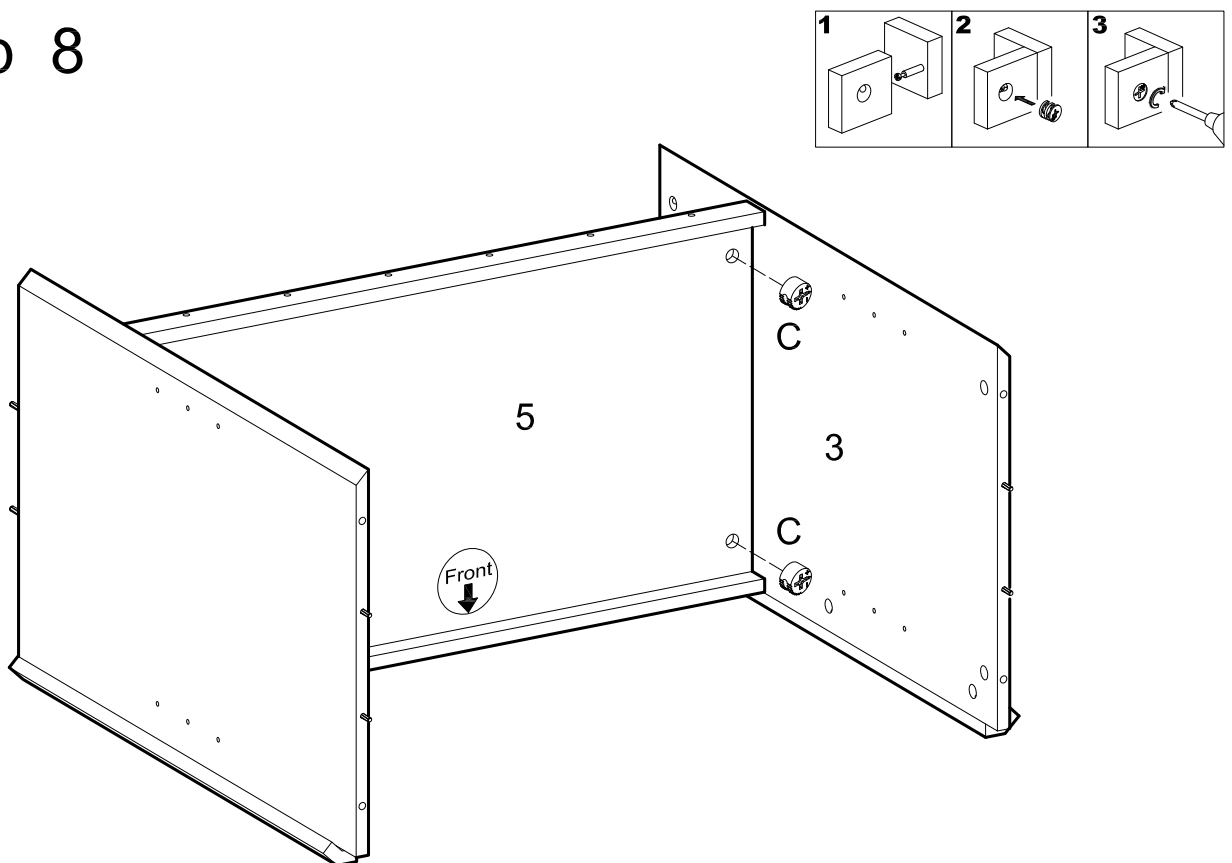
Attach slat (14) to panel (4) using cam bolts and dowels as guides. Secure the two pieces together using cam locks (C). Tighten cam locks (C) with a screwdriver.

Step 7



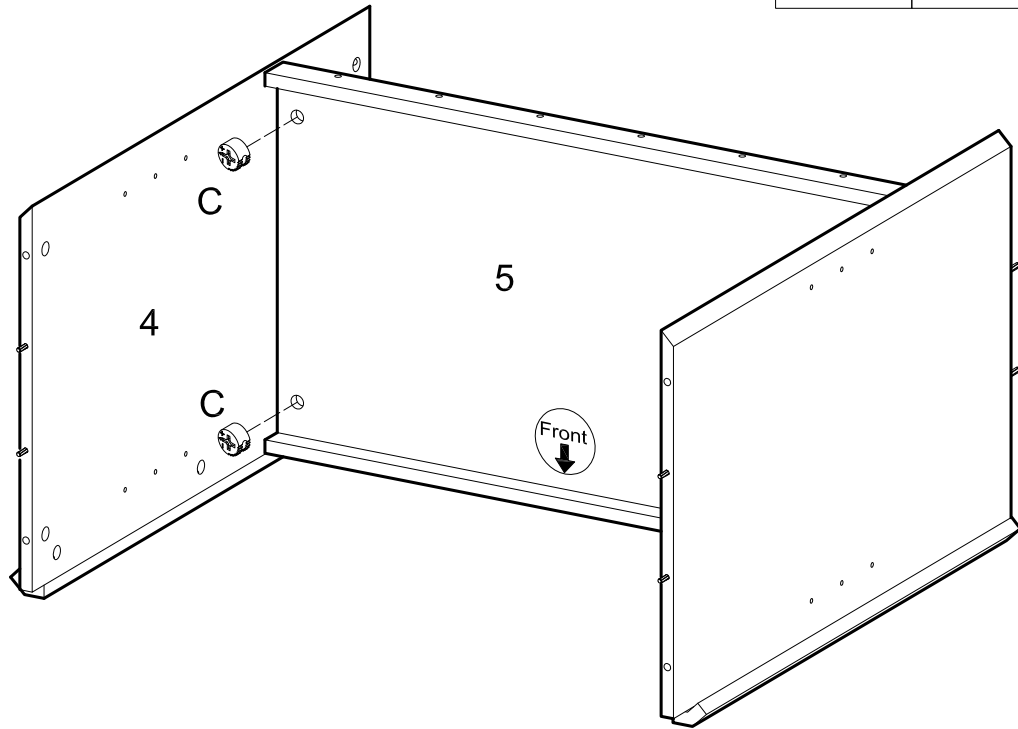
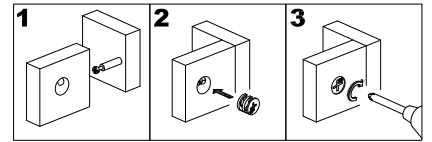
Attach panels (3,4) to panel (5) using cam bolts and dowels as guides.

Step 8



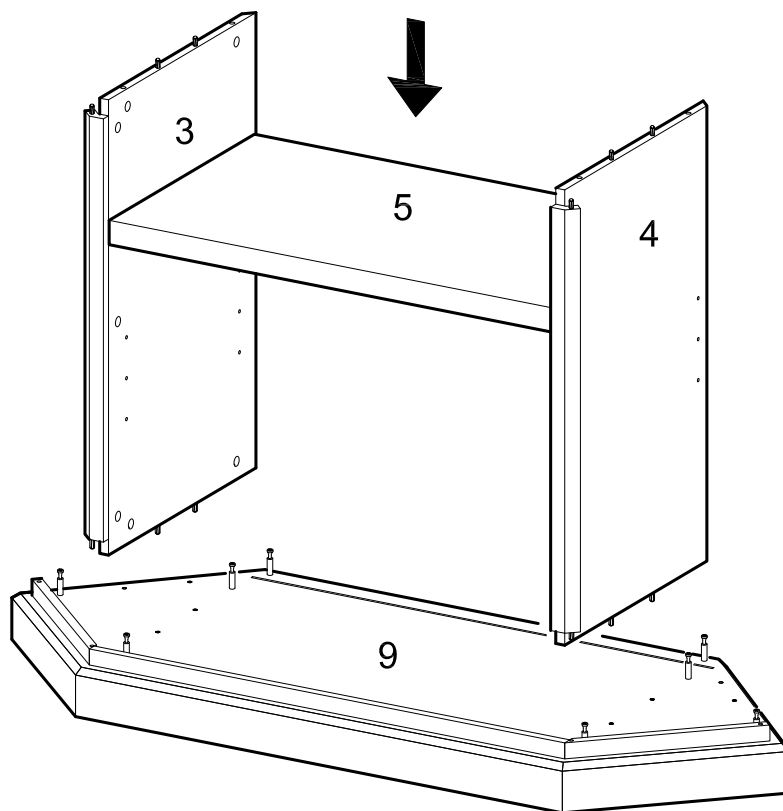
Secure panel (3) to panel (5) using cam locks (C). Tighten cam locks (C) with a screwdriver.

Step 9



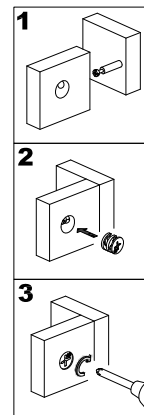
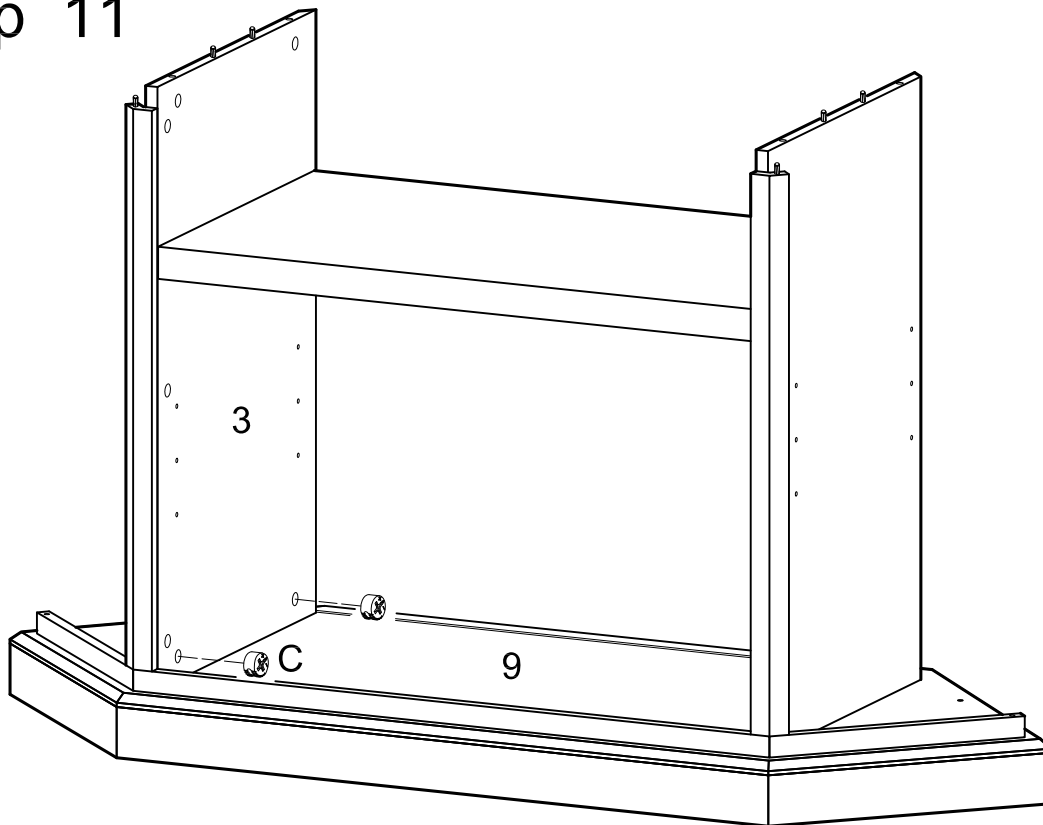
Secure panel (4) to panel (5) using cam locks (C). Tighten cam locks (C) with a screwdriver.

Step 10



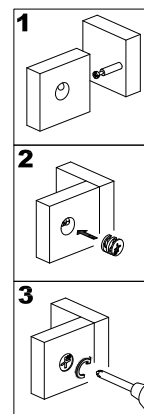
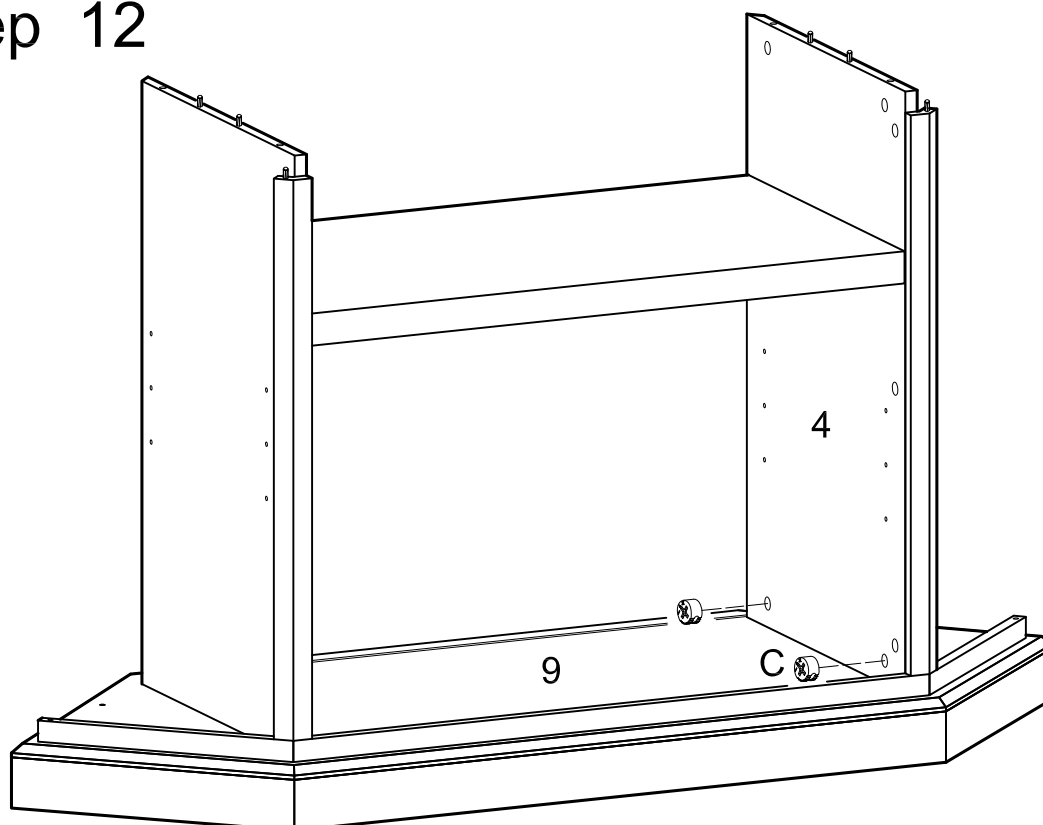
Attach the panel assembly from the previous step to bottom panel (9) using cam bolts and dowels as guides.

Step 11



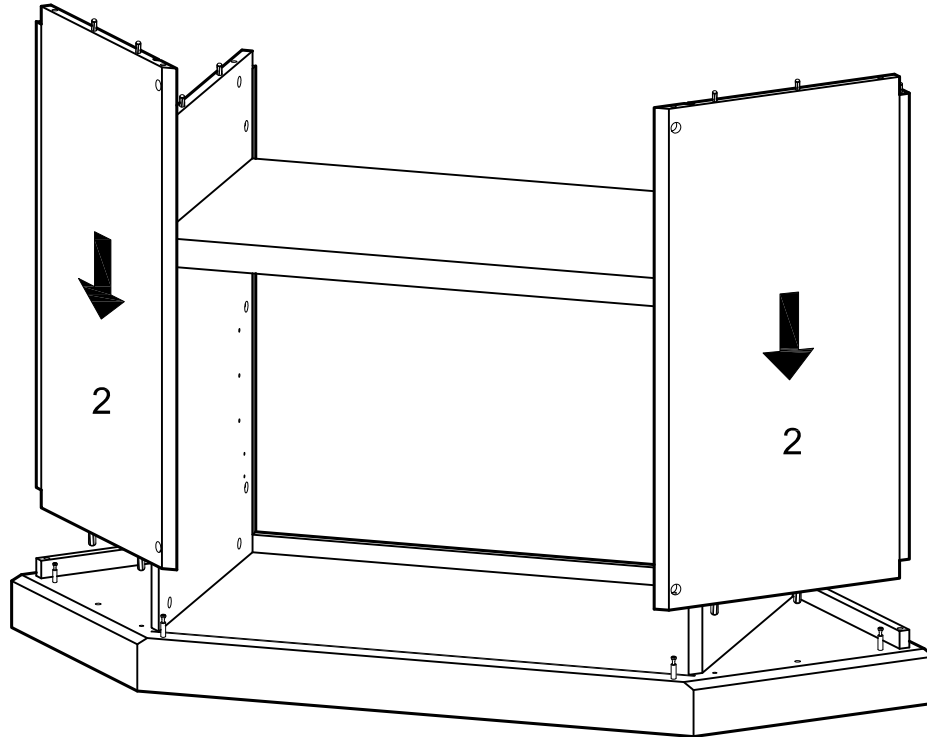
Secure panel (3) to bottom panel (9) using cam locks (C). Tighten cam locks (C) with a screwdriver.

Step 12



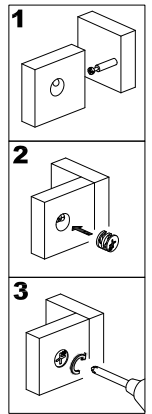
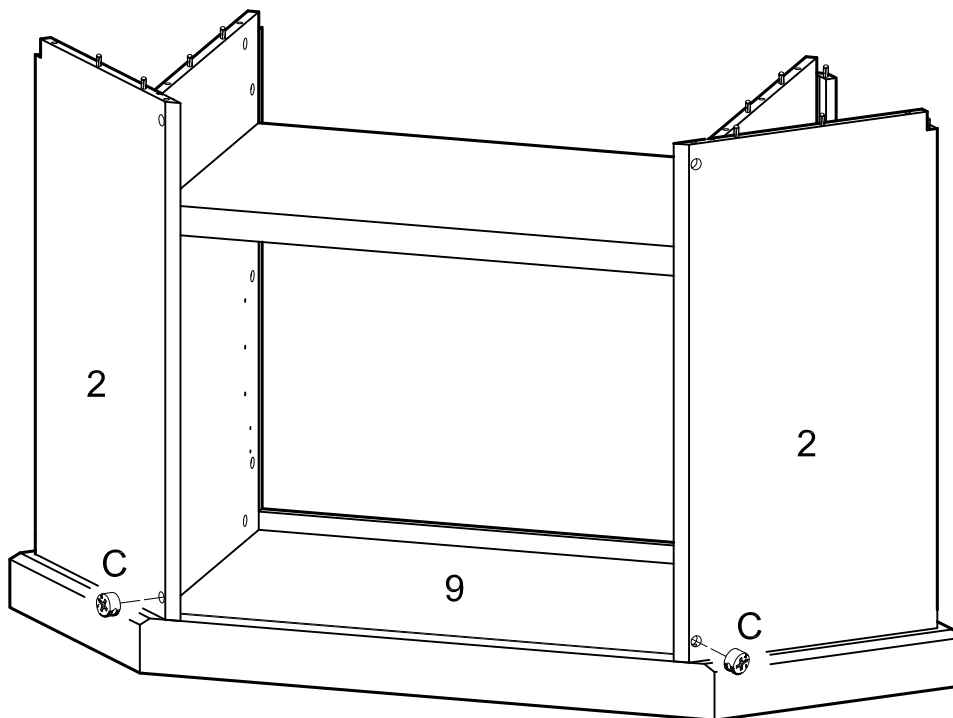
Secure panel (4) to bottom panel (9) using cam locks (C). Tighten cam locks (C) with a screwdriver.

Step 13



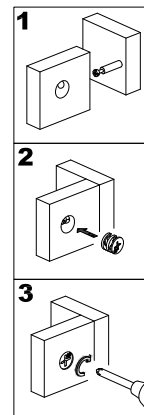
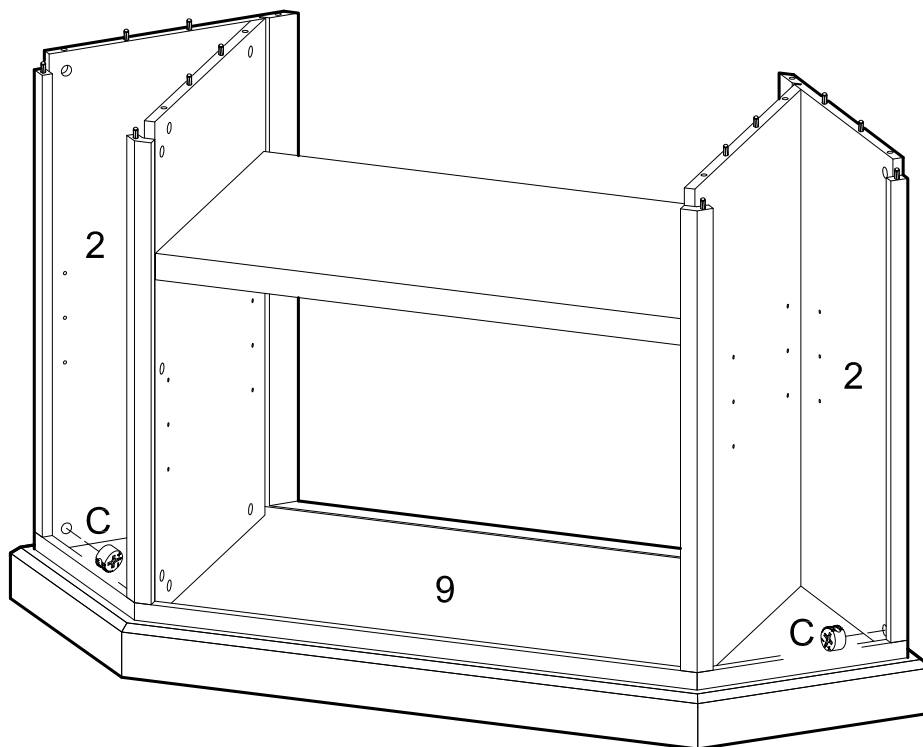
Carefully slide panels (2) into place using cam bolts and dowels as guides.

Step 14



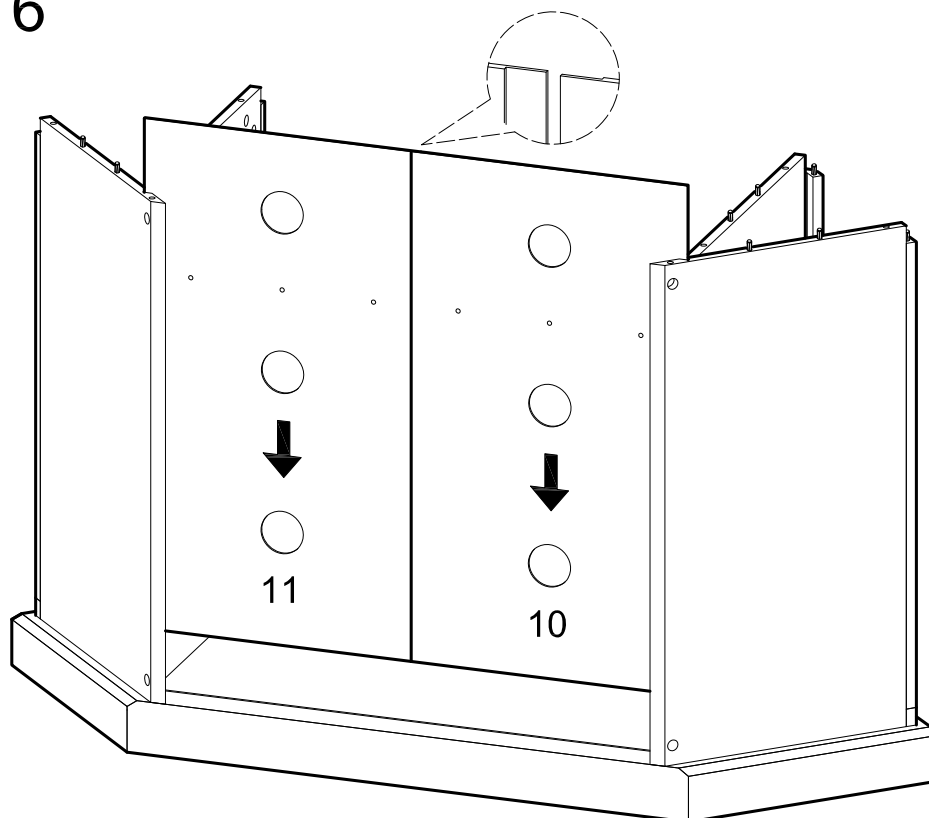
Secure panels (2) to bottom panel (9) using cam locks (C). Tighten cam locks (C) with a screwdriver.

Step 15



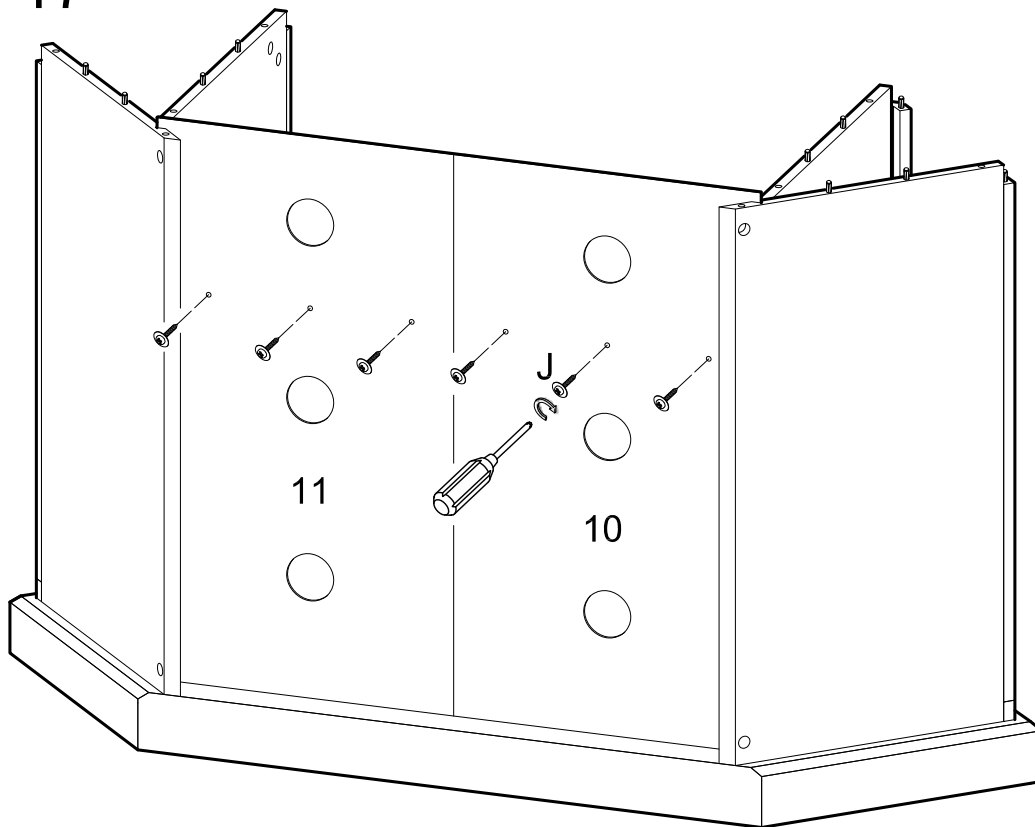
On opposite side of console, secure panels (2) to bottom panel (9) using cam locks (C). Tighten cam locks (C) with a screwdriver.

Step 16



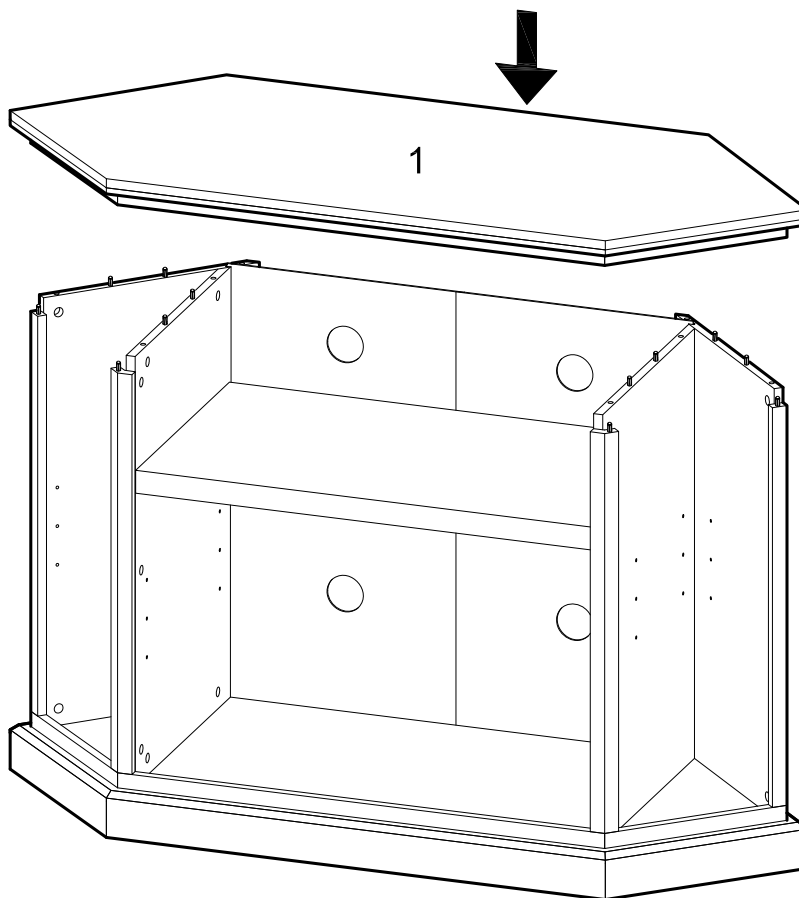
Carefully slide back panels (10,11) into place along back side of console. *Panels (10,11) will overlap slightly as shown in insert above.*

Step 17



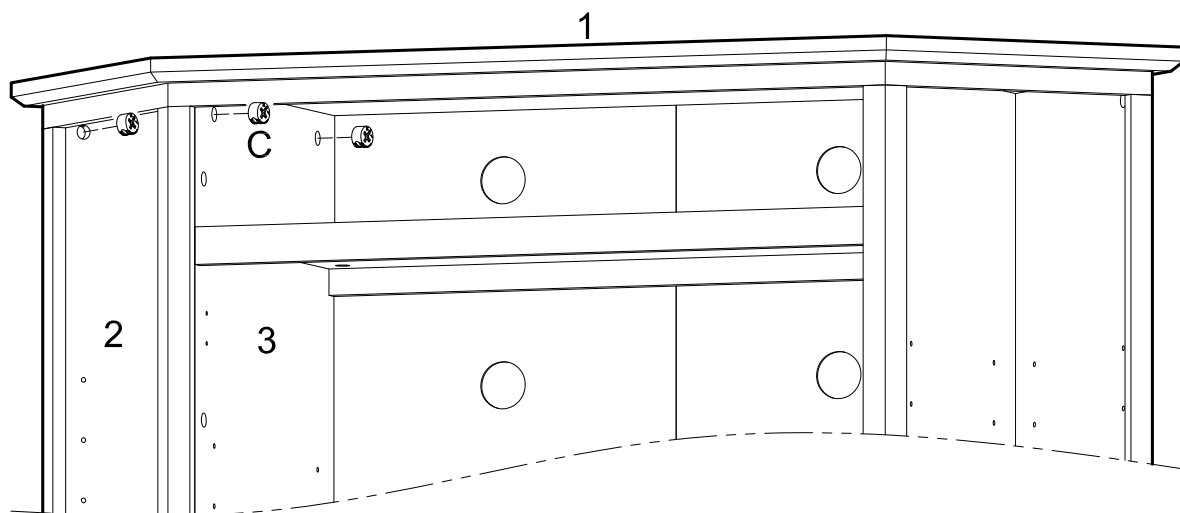
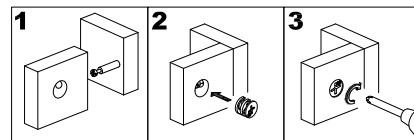
Secure back panels (10,11) to the console using screws (J).

Step 18



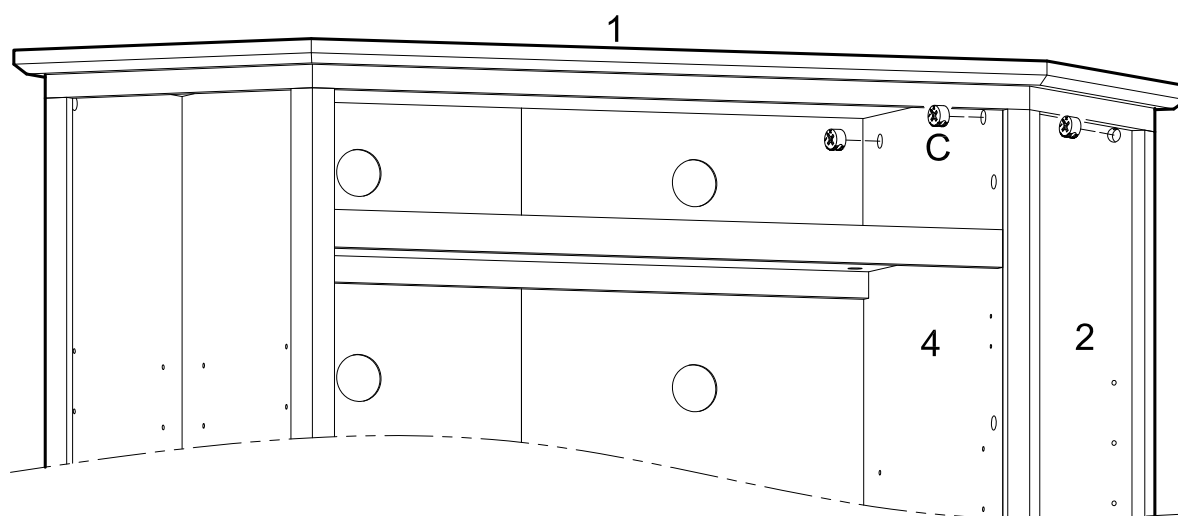
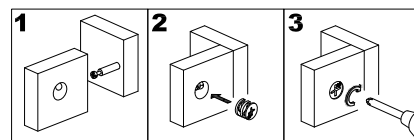
Carefully fit top panel (1) into place using cam bolts and dowels as guides.

Step 19



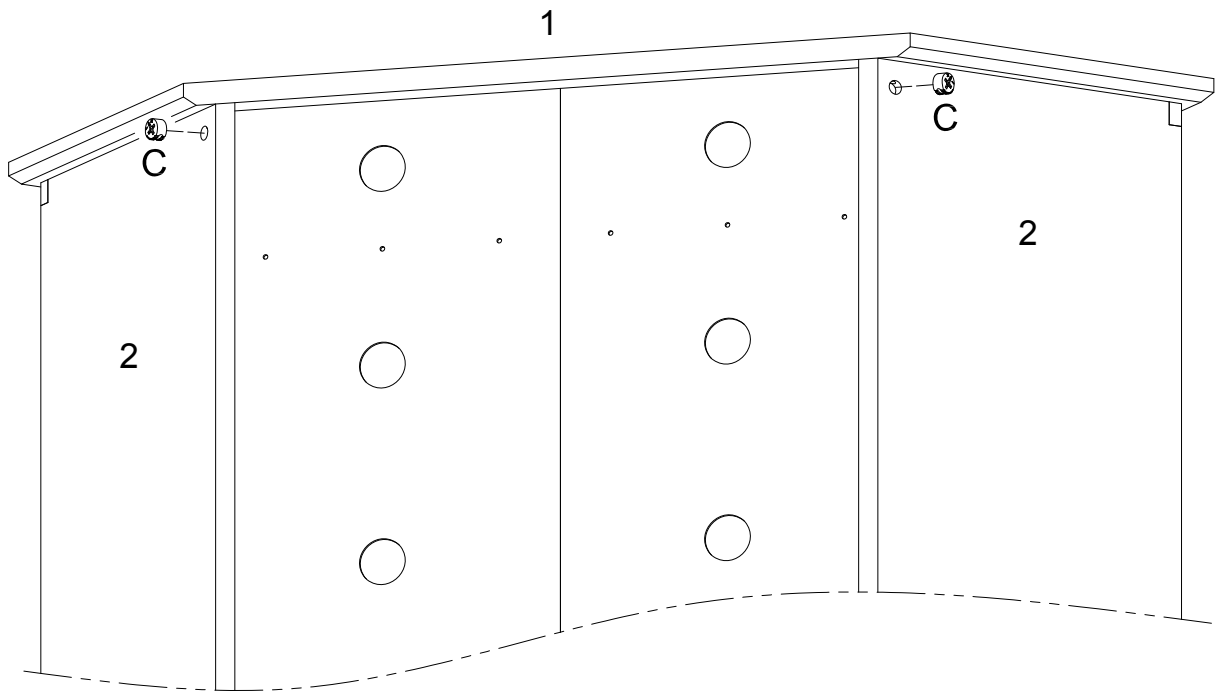
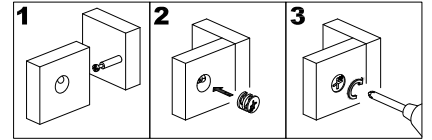
Secure top panel (1) to panels (2,3) using cam locks (C). Tighten cam locks (C) with a screwdriver.

Step 20



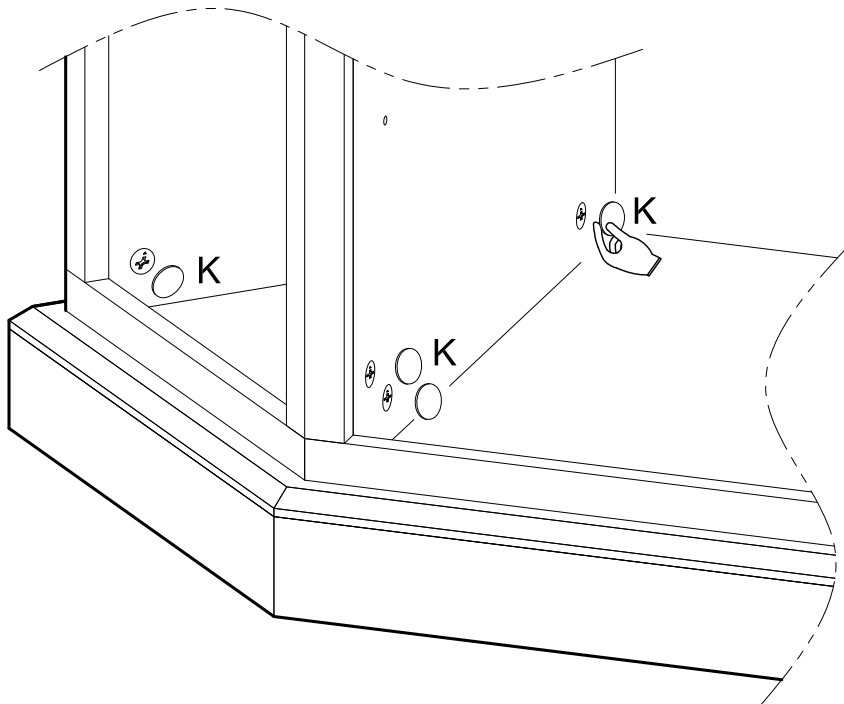
Secure top panel (1) to panels (2,4) using cam locks (C). Tighten cam locks (C) with a screwdriver.

Step 21



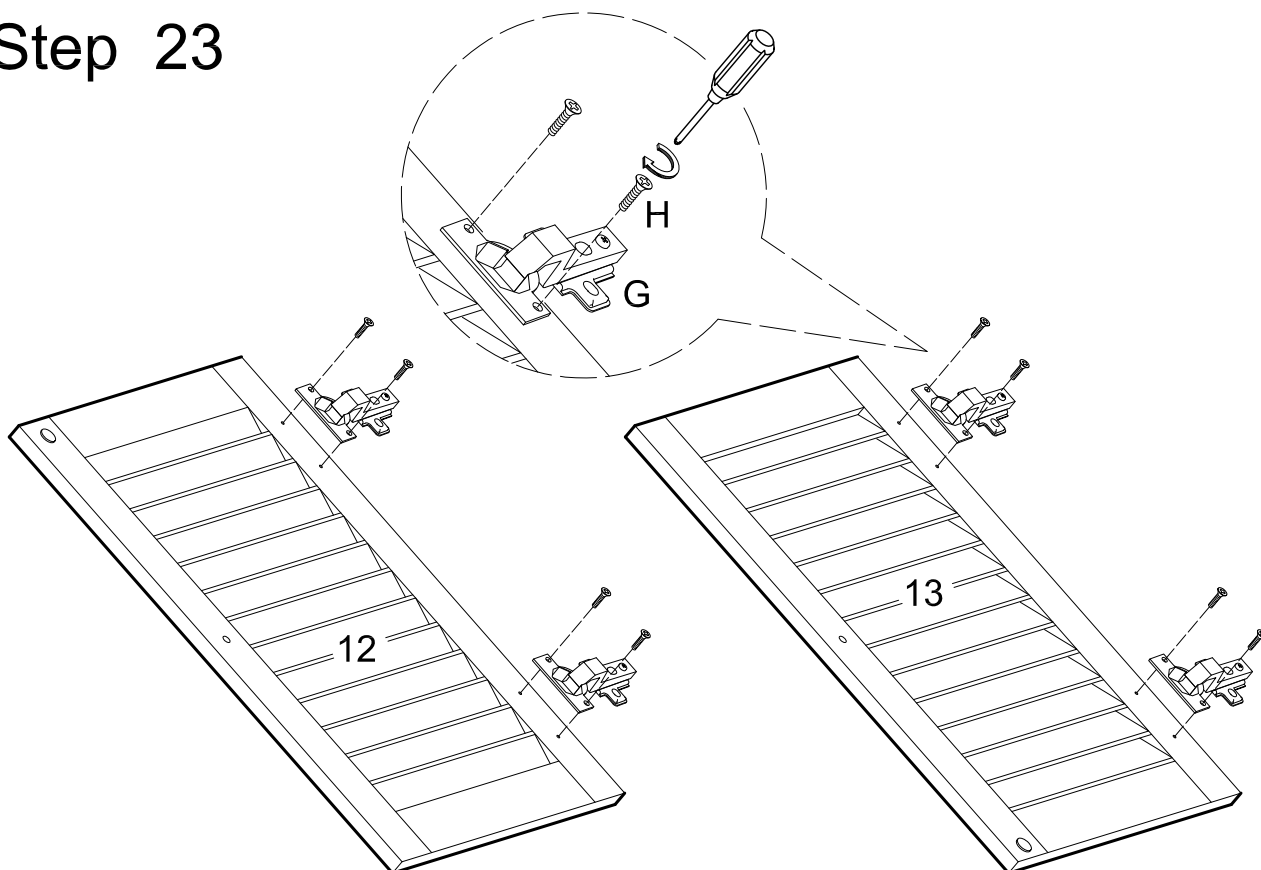
On back side of console, secure top panel (1) to panels (2) using cam locks (C). Tighten cam locks (C) with a screwdriver.

Step 22



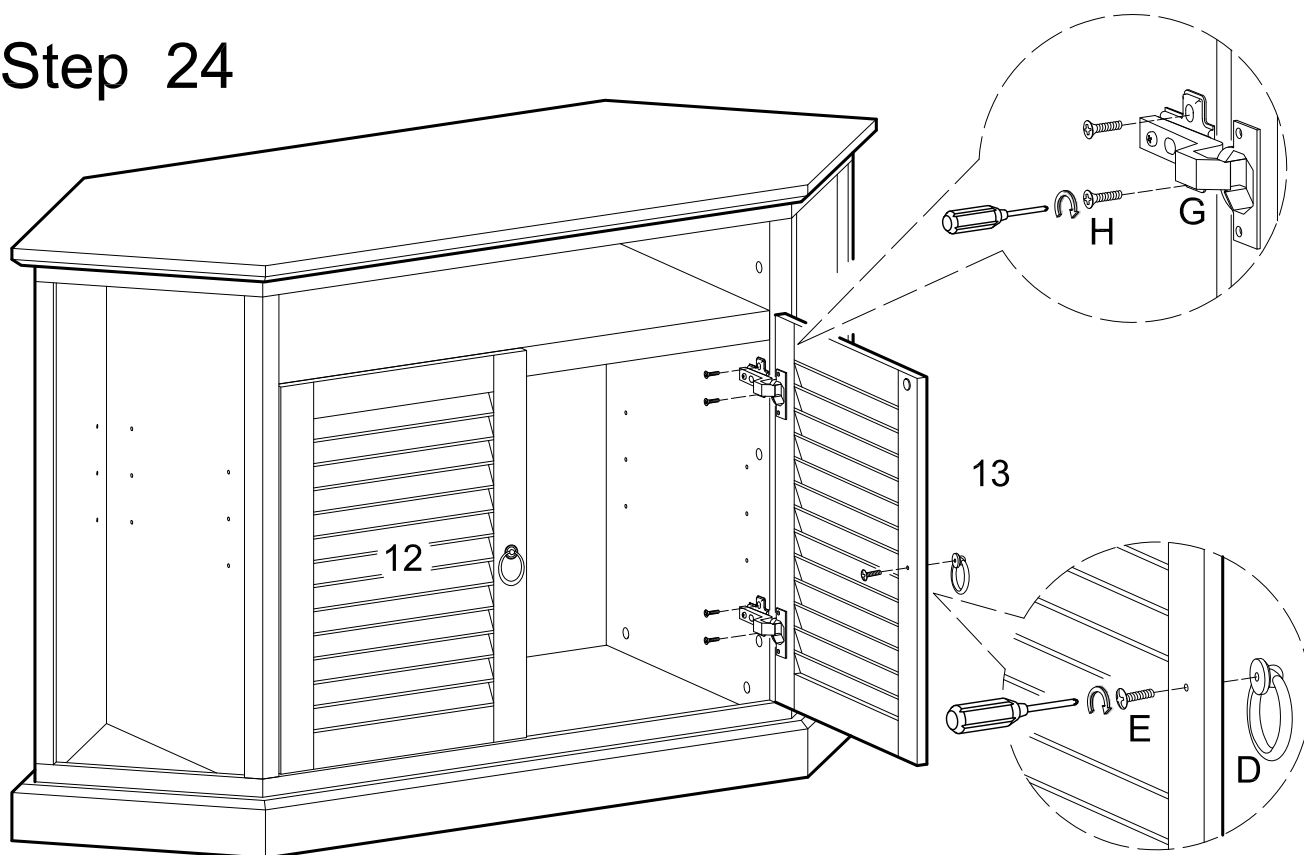
Cover all visible cam locks with stickers (K) as desired.

Step 23



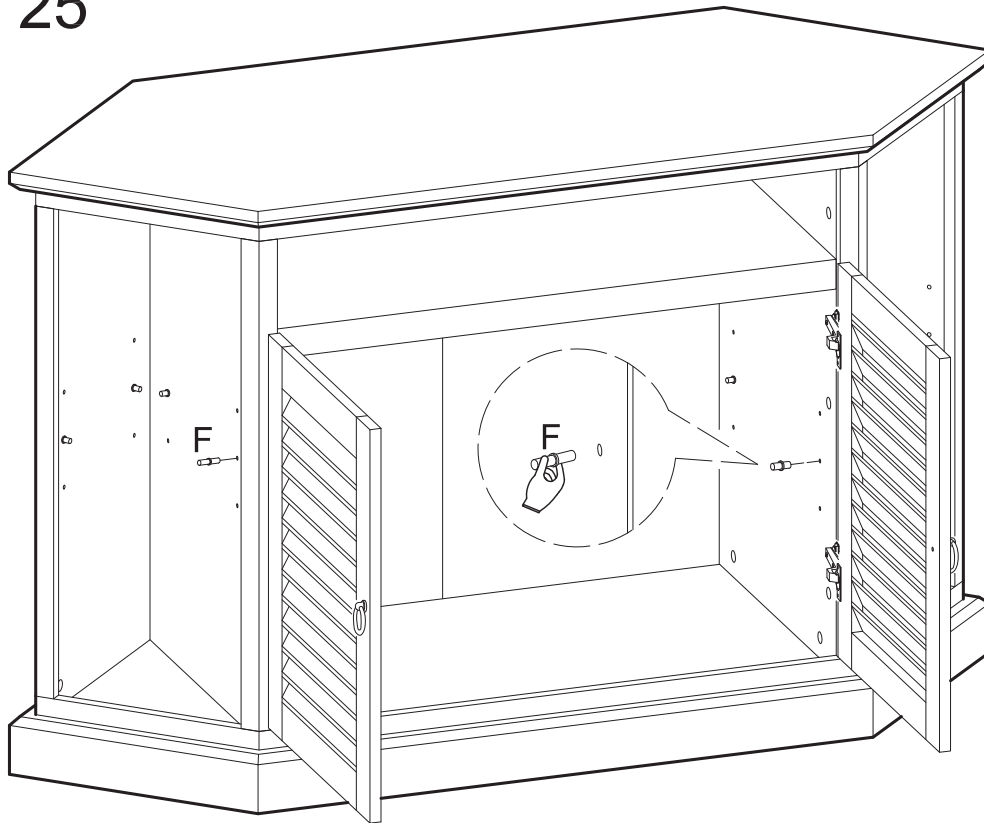
Attach hinges (G) to doors (12,13) using screws (H).

Step 24



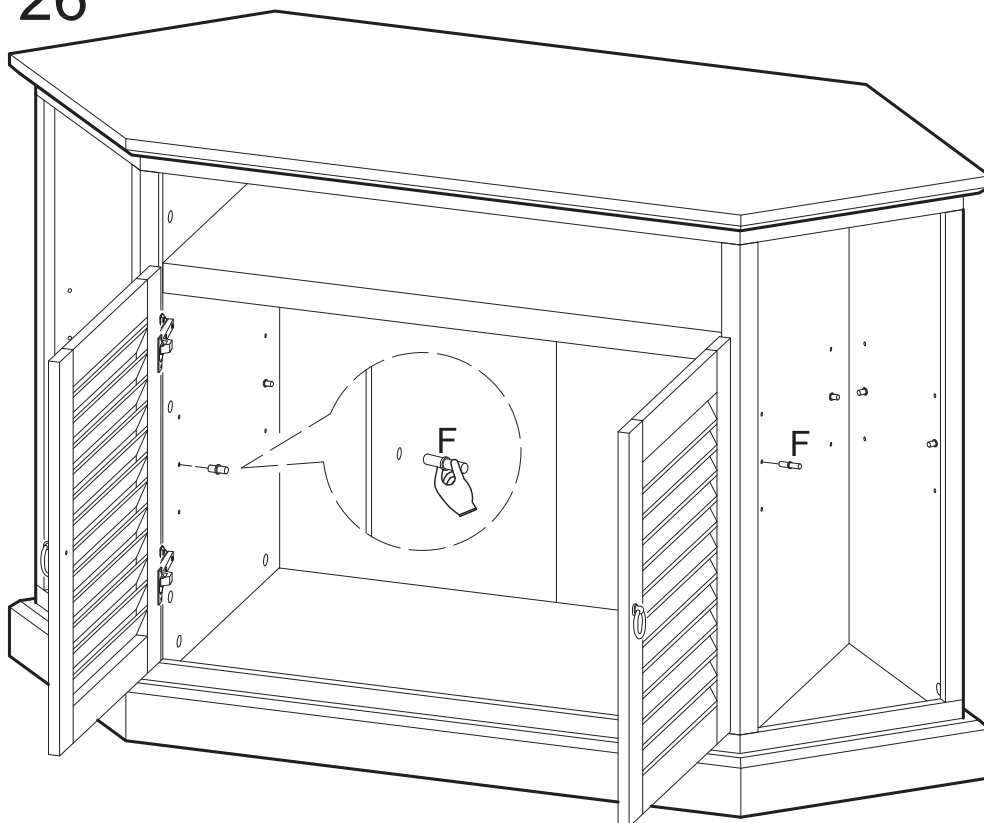
Attach doors (12,13) to the console using screws (H) at hinges (G). See page 2 for specific instructions on how to adjust hinges so doors are aligned with console as desired. Attach handles (D) to doors (12,13) using bolts (E).

Step 25



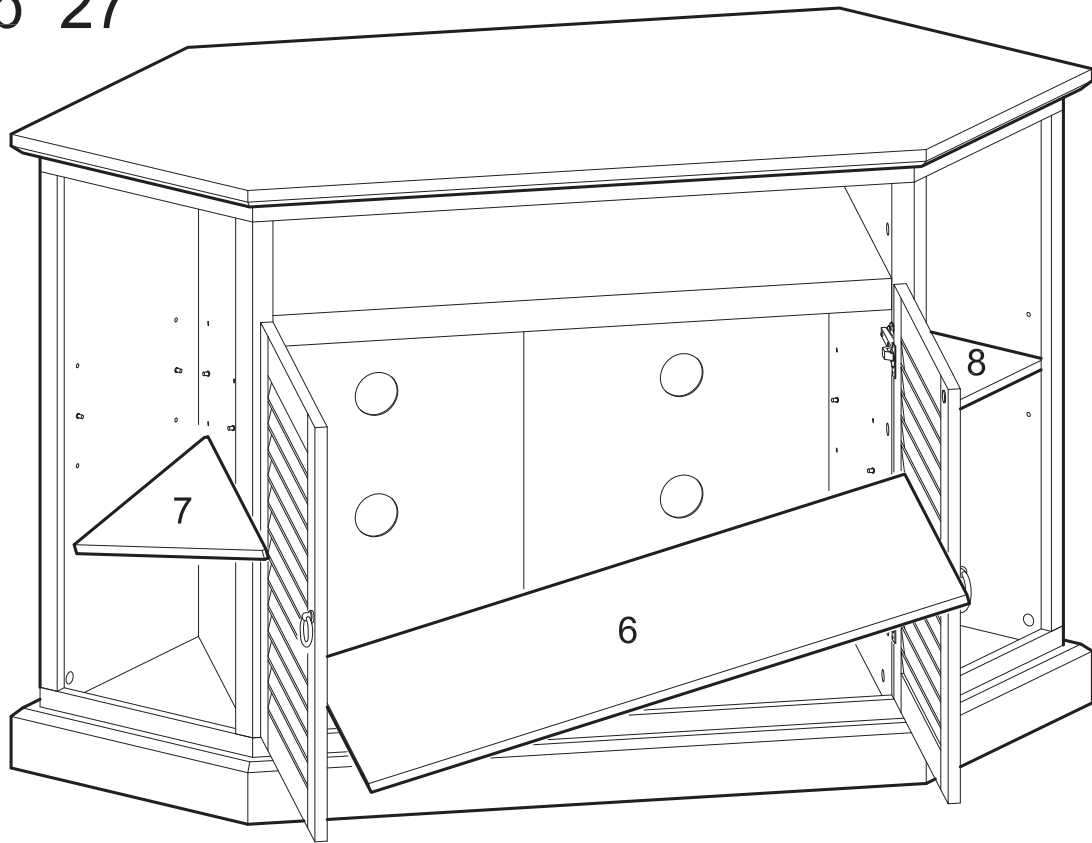
Insert shelf support pins (F) into console at desired shelf heights.

Step 26



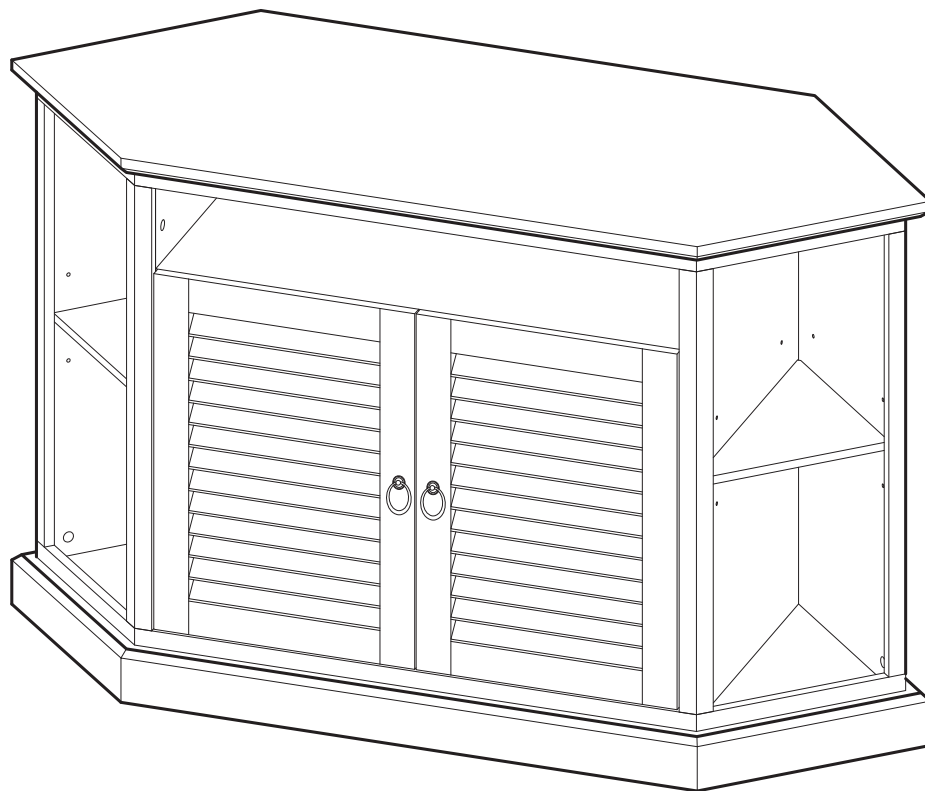
Insert shelf support pins (F) into console at desired shelf heights.

Step 27



Carefully place shelves (6,7,8) into console. *Shelves (6,7,8) will rest on the shelf support pins.*

Step 28



Final Assembly