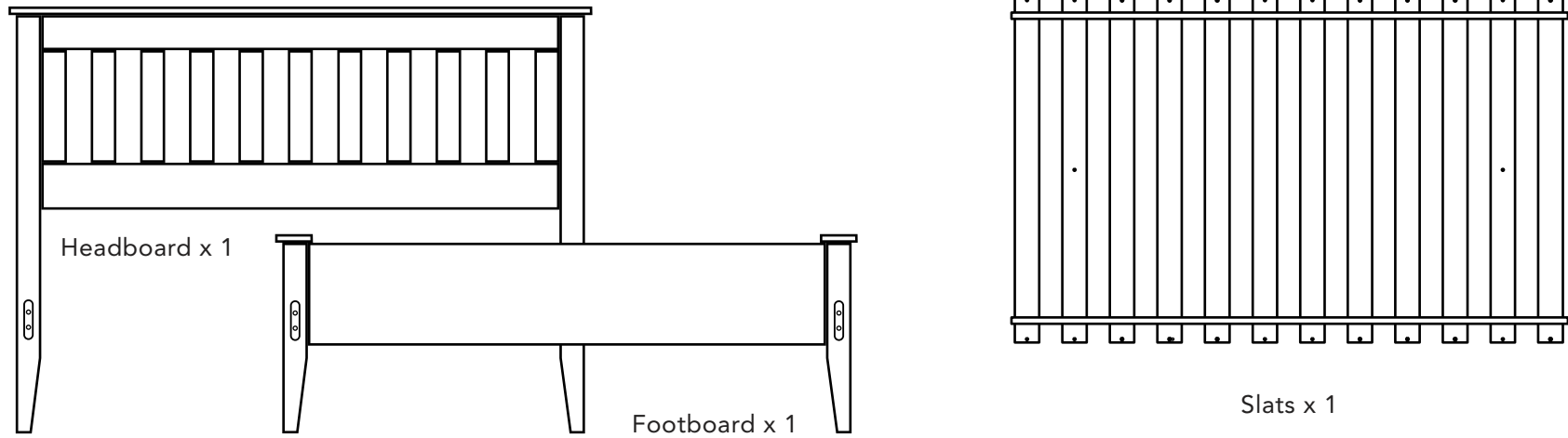


Assembly Instructions for Venado Bed Twin Size

1A

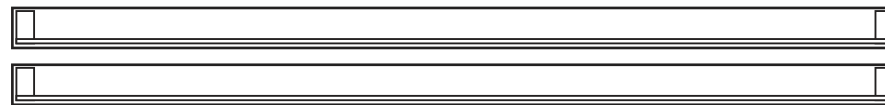
Watch our assembly videos at www.stratafurniture.com/videos.html

Parts in Box 1 of 2:



1B

Parts in Box 2 of 2:



1C

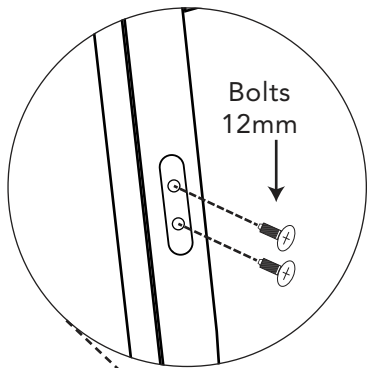
Hardware in Box 2 of 2:



Assembly Instructions for Platform Bed Twin Size

2A

Insert 12mm Bolts into Headboard and Footboard.
Leave bolts loose!

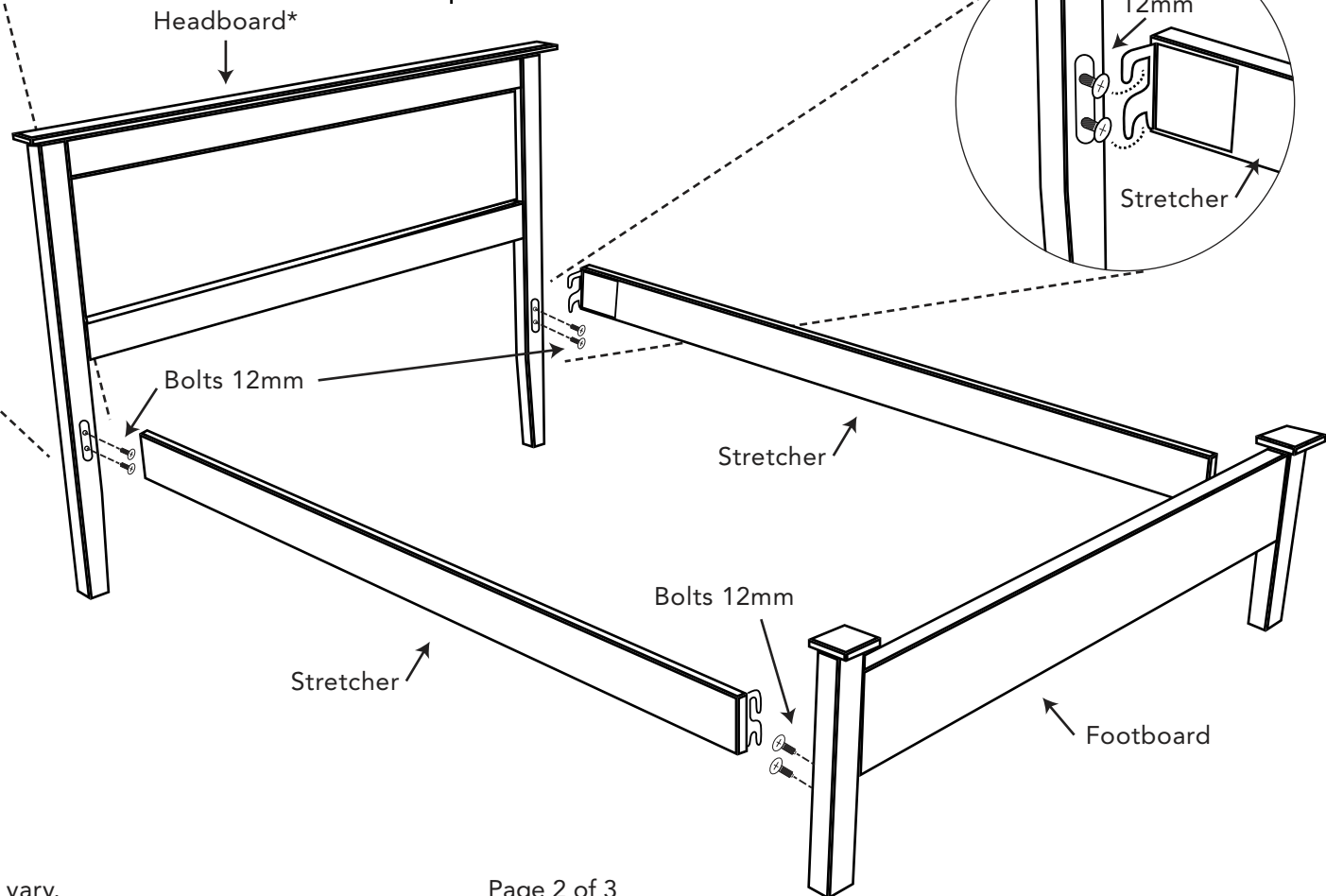
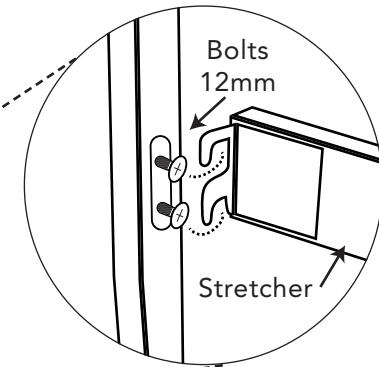


2B

Connect the Stretchers to the Headboard and Footboard.

Drop Stretcher bracket over 12mm Bolts on Headboard and Footboard as shown.

Tighten all 12mm Bolts with Allen Key.

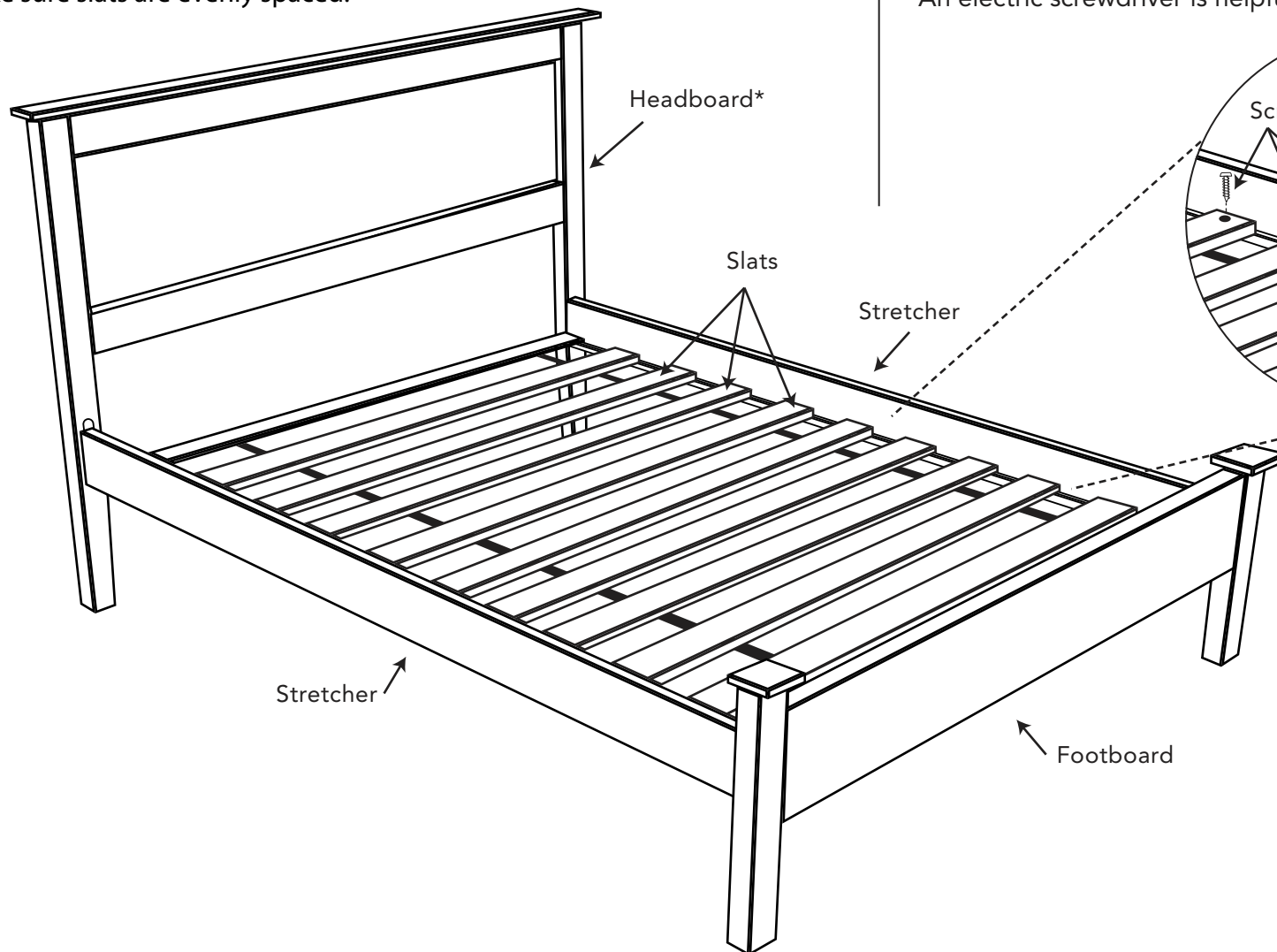


*Headboard style may vary.

Assembly Instructions for Platform Bed Twin Size

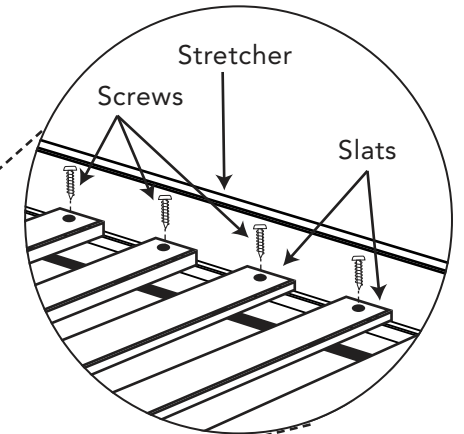
3A

Roll slats out on top of Stretchers with Strip-side down.
Make sure slats are evenly spaced!



3B

Attach Slats to Stretchers using Screws as shown.
An electric screwdriver is helpful for this step.



*Headboard style may vary.