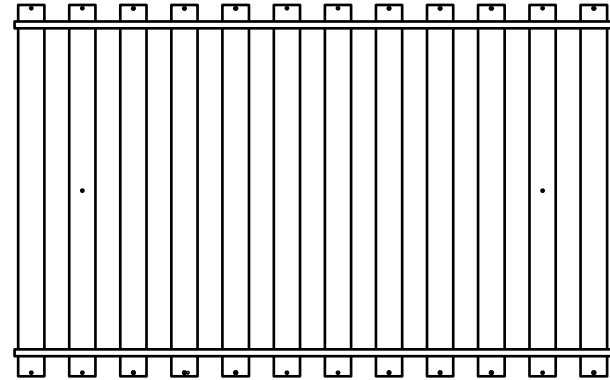
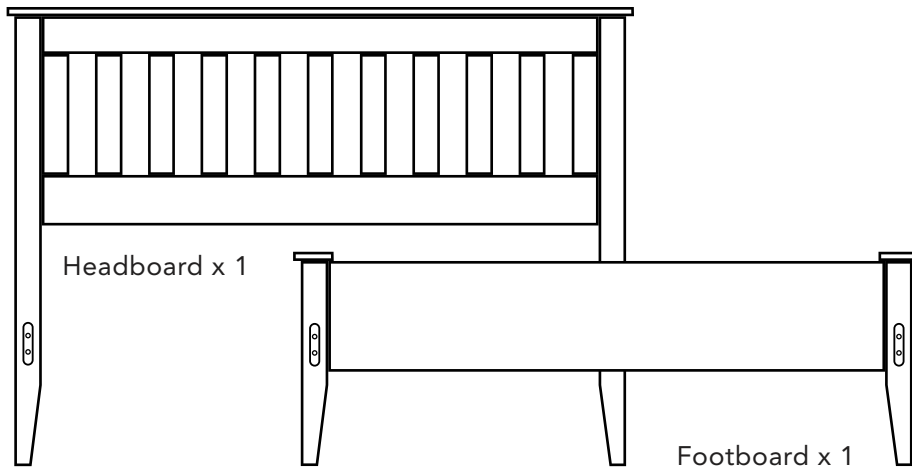


## Assembly Instructions for Venado Bed, Full & Queen

### 1A

Watch our assembly videos at [www.stratafurniture.com/videos.html](http://www.stratafurniture.com/videos.html)

Parts in Box 1 of 2:



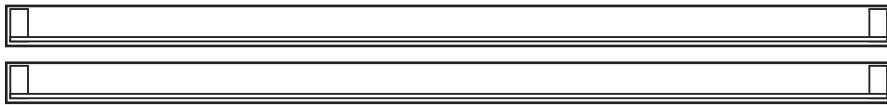
Slats x 1



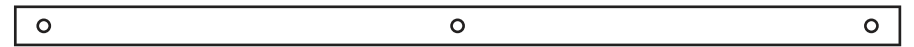
Slat Support Feet x 3

### 1B

Parts in Box 2 of 2:



Stretcher x 2



Center Rail x 1

### 1C

Hardware in Box 2 of 2:



Bolts (12mm) x 8  
For the Headboard  
and Footboard



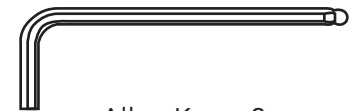
Bolts (70mm) x 1  
For the Center Slat  
Support Foot



Bolts (90mm) x 2  
For the Outside Slat  
Support Feet



Screw x 24  
For Slats

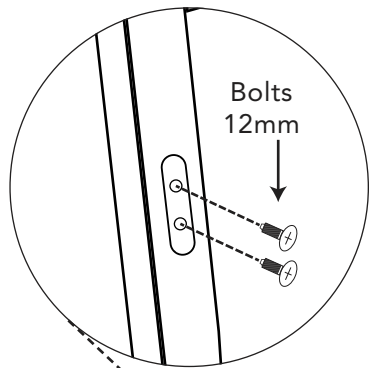


Allen Key x 2  
One for 12mm Bolts,  
One for 70mm & 90mm Bolts

## Assembly Instructions for Platform Bed, Full & Queen

### 2A

Insert 12mm Bolts into Headboard and Footboard.  
Leave bolts loose!

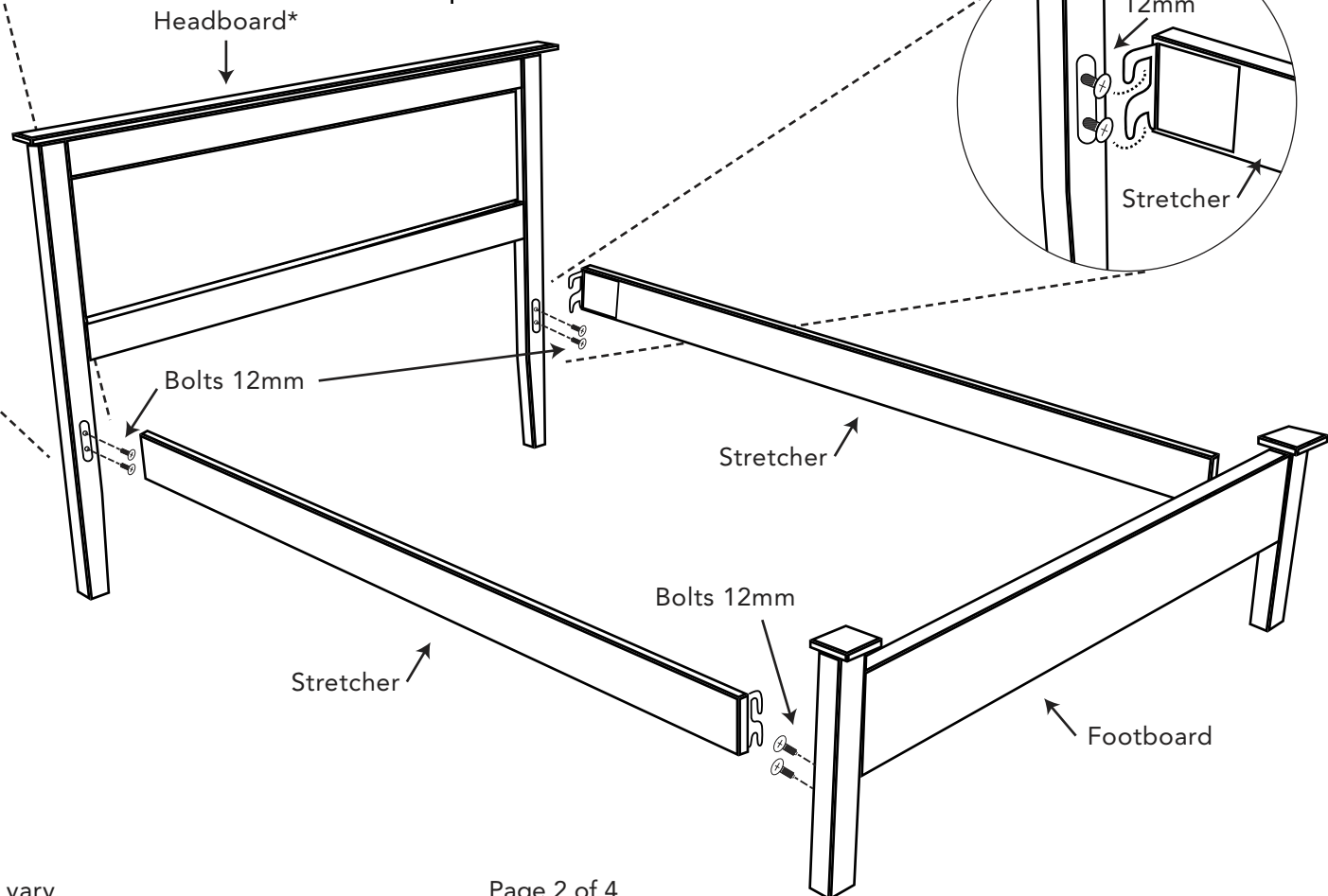
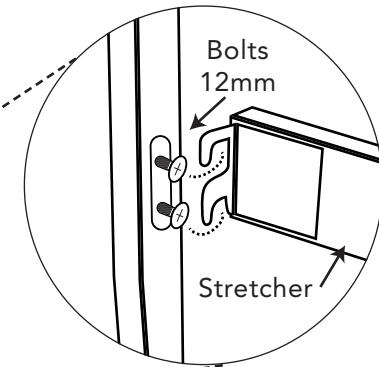


### 2B

Connect the Stretchers to the Headboard and Footboard.

Drop Stretcher bracket over 12mm Bolts on Headboard and Footboard as shown.

Tighten all 12mm Bolts with Allen Key.

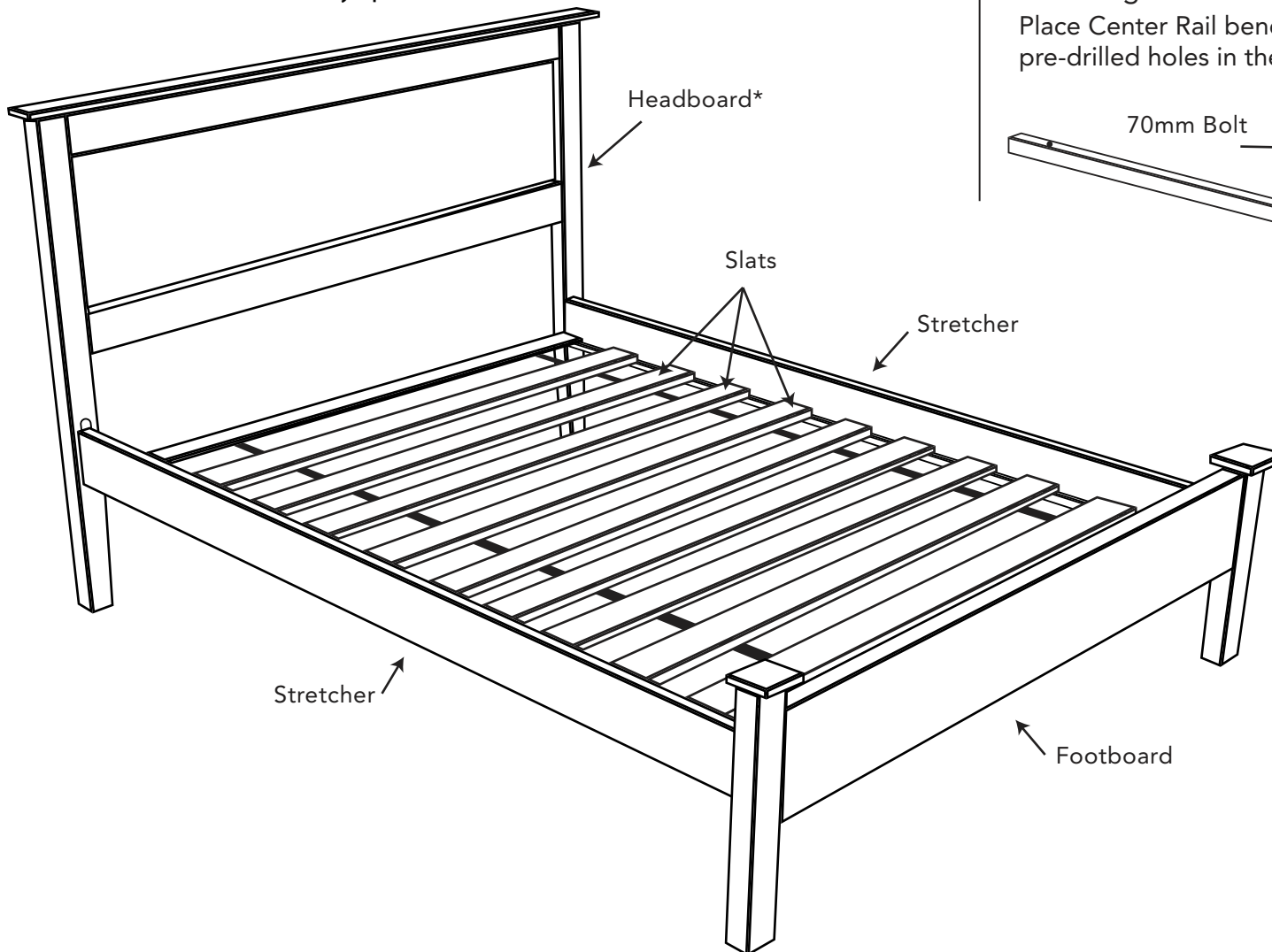


\*Headboard style may vary.

## Assembly Instructions for Platform Bed, Full & Queen

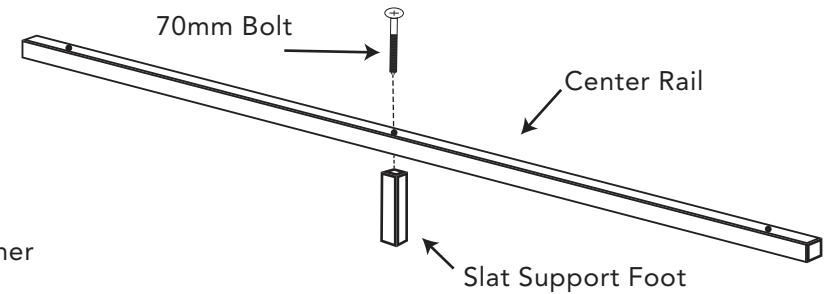
### 3A

Roll slats out on top of Stretchers with Strip-side down.  
Make sure slats are evenly spaced!



### 3B

Attach one of the Slat Support Feet to the Center Rail using the 70mm Bolt as shown.  
Place Center Rail beneath the slats so it aligns with pre-drilled holes in the slats.

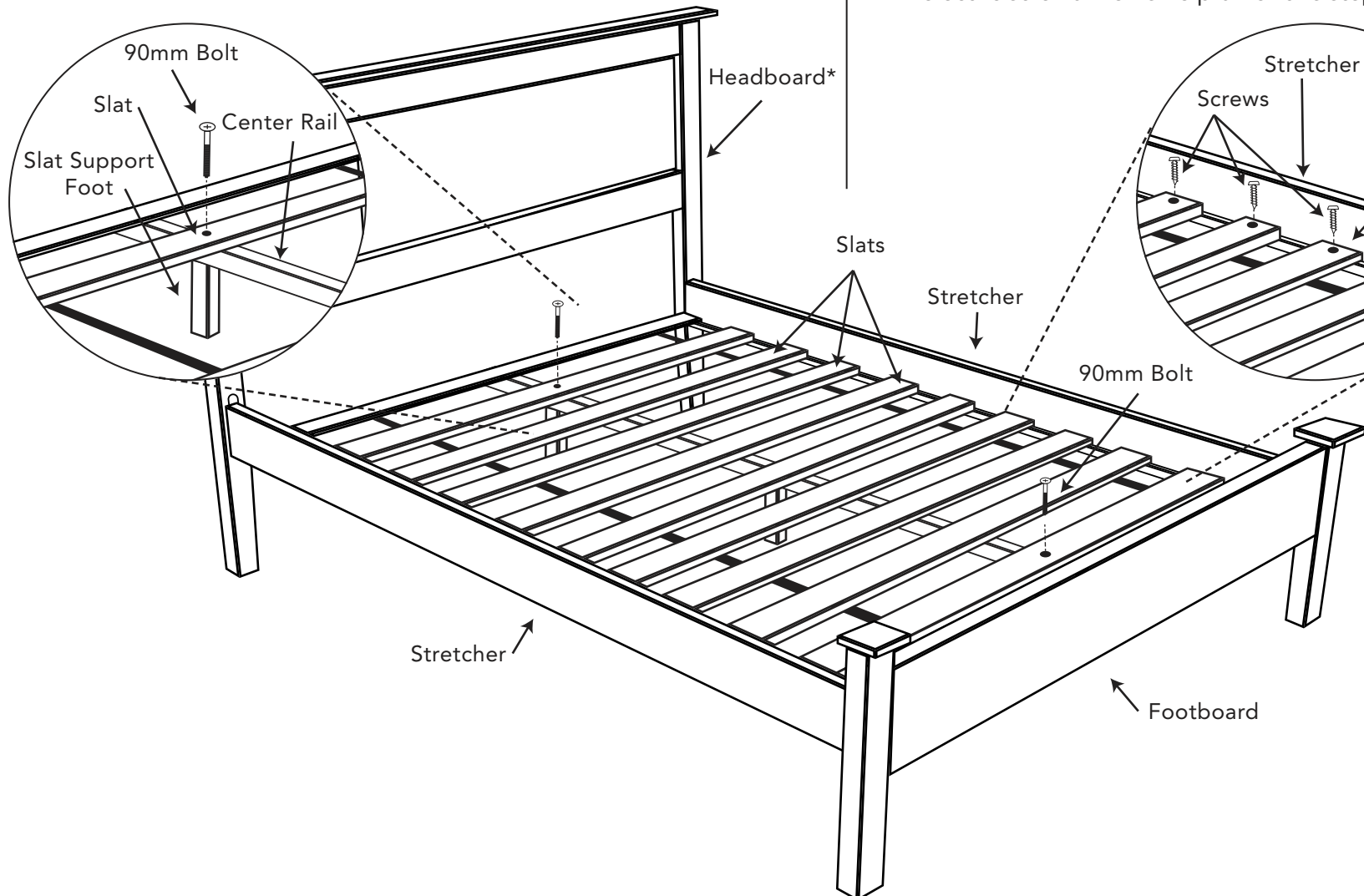


\*Headboard style may vary.

## Assembly Instructions for Platform Bed, Full & Queen

### 4A

Using 90mm Bolts, attach remaining Slat Support Feet to Slats and Center Rail as shown.



### 4B

Attach Slats to Stretchers using Screws as shown. An electric screwdriver is helpful for this step.

