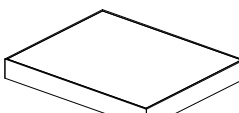
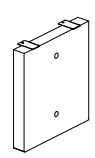

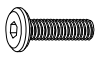
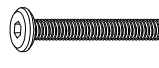


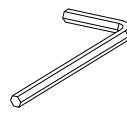


VX-1035-02 SICILY SIDE TABLE

Thank you for purchasing this quality product. Be sure to check all packing material carefully for small parts that may have come loose inside the carton during shipment.

1. TOP x 1 		2. LEGS x 2 		3. METAL CONNECTOR x 2 	
A. BOLT M6-20 x 4 	B. BOLT M6-50 x 4 	C. SPRING WASHER x 8 	D. FLAT WASHER x 8 	E. ALLEN KEY M4 x 1 	F. BOLT x 4 