

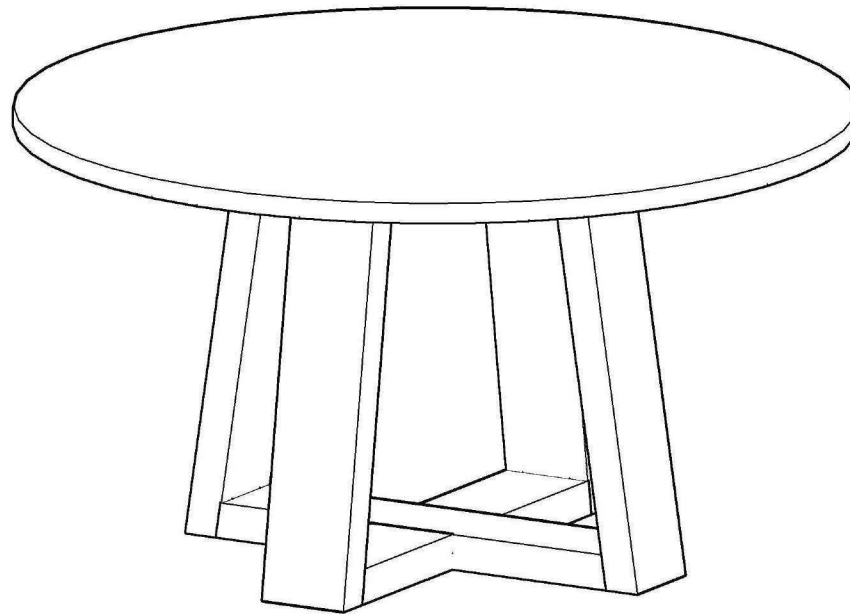
MOE'S

home collection

ASSEMBLY INSTRUCTIONS.

TANYA ROUND DINING TABLE


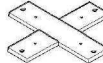


VE-1073-29







THANK YOU FOR YOUR PURCHASE!

PARTS AND HARDWARE.

PARTS LIST

NO.	DESCRIPTION	IMAGE	Q'TY
P1	TOP		1
P2	LEG TOP		1
P3	LEG		4
P4	LEG BOTTOM		1

HARDWARES LIST

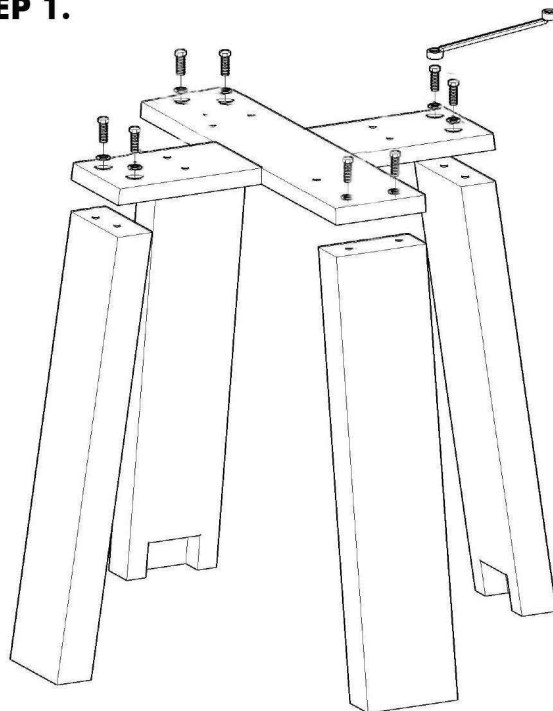
NO.	DESCRIPTION	IMAGE	Q'TY
H1	HEX BOLT L		8
H2	HEX BOLT S		16
H3	WASHER		24
H4	SPANNER		1

NOTES.

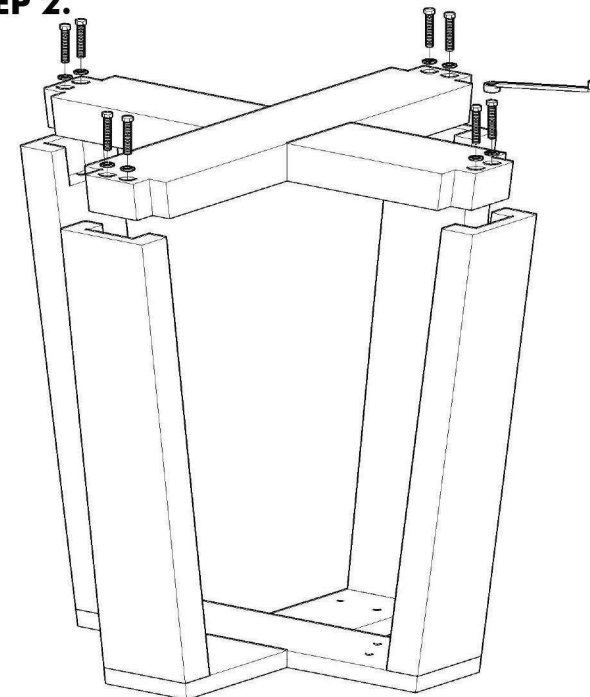
Thank you for purchasing this quality product! Be sure to check all packing material carefully for small part that may have come loose inside the carton during shipping.

CAUTION: The item is heavy, assembly should be performed by two people.

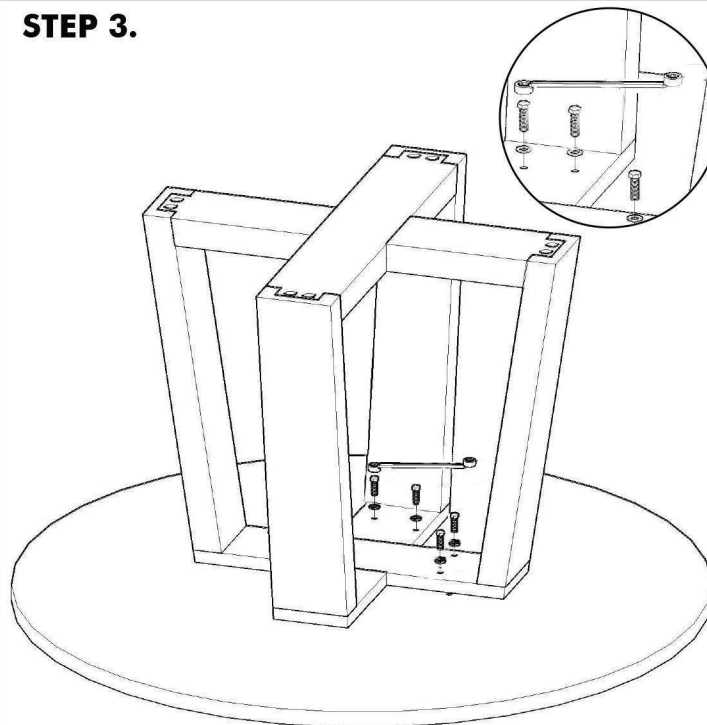
STEP 1.



STEP 2.



STEP 3.



STEP 4.

