

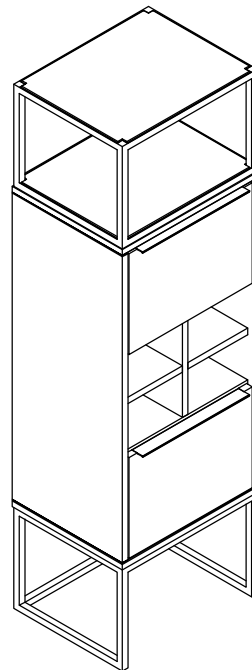
# MOE'S

home collection

## ASSEMBLY INSTRUCTIONS.

NEVADA TALL BAR CABINET

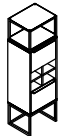
**UR-1003-03**









THANK YOU FOR YOUR PURCHASE!

## PARTS AND HARDWARE.

### PARTS LIST

NO.	DESCRIPTION	IMAGE	Q'TY
P1	NEVADA TALL BAR CABINET		1

### HARDWARE LIST

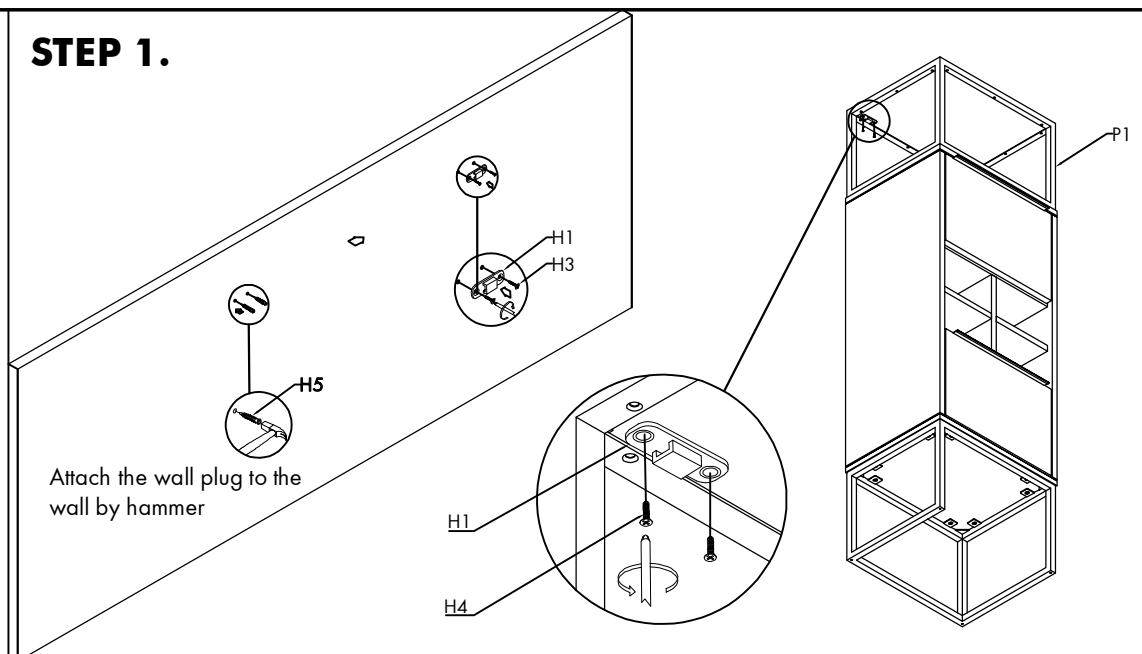
NO.	DESCRIPTION	IMAGE	Q'TY
H1	PLASTIC BRACKET H2		4
	NYLON STRAP		2
H3	LONG SCREW M4x50		4
H4	SHORT SCREW M4x20		4
H5	WALL PLUG M4		4
H6	SCREW DRIVER		NOT PROVIDE

## NOTES.

Thank you for purchasing this quality product! Be sure to check all packing material carefully for small part that may have come loose inside the carton during shipping.

**CAUTION:** The item is heavy, assembly should be performed by two people.

## STEP 1.



## STEP 2.

