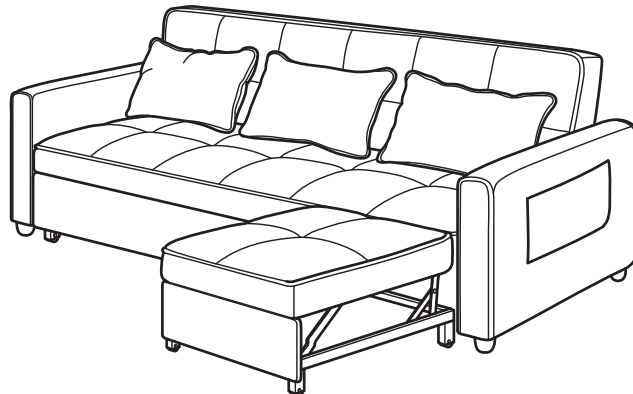
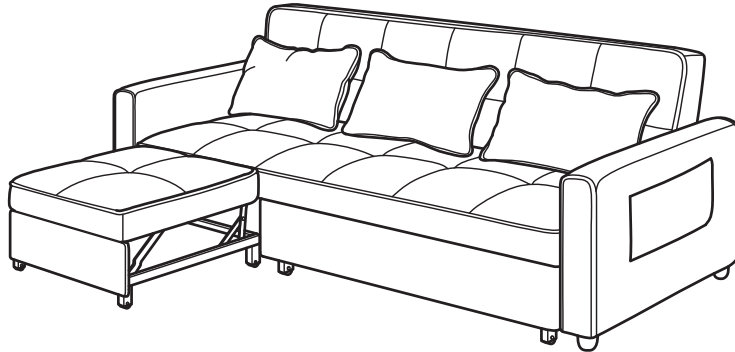


SKYLAR

ASSEMBLY INSTRUCTIONS



DO NOT RETURN PRODUCT TO THE STORE

individual stores do not stock parts.

If a part is missing or damaged, call our toll - free customer service line.

Need parts or assistance?

Please call :

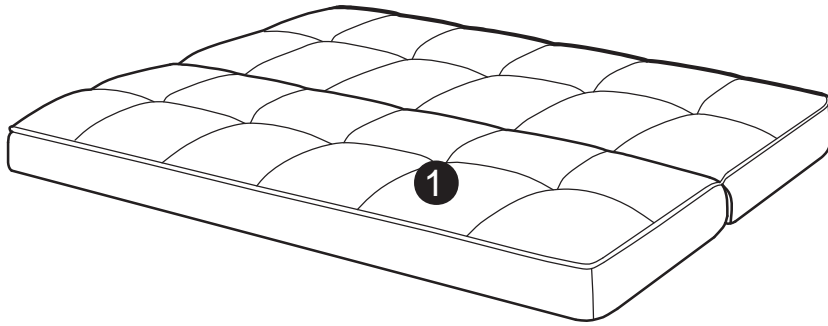
866-626-7826

For prompt, reliable service; please have your assembly manual ready.

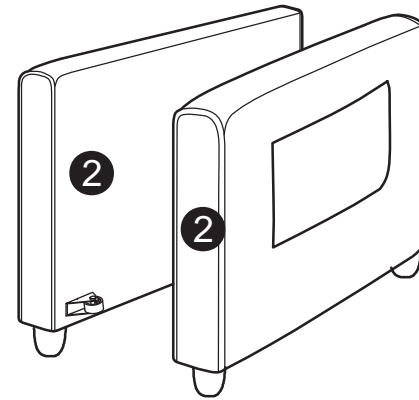
WARNING

- This product has been designed for seating three (3) average adults. To prevent injury and damage to this unit, PROHIBIT jumping on it.
- This product is designed for home use and not intended for commercial use.
- Children under the age of 5, small infants and babies should not sleep alone on this product for safety reasons.
- Recommended # of people needed for handling: 2 (however it is always better to have an extra hand.)
- THIS INSTRUCTION BOOKLET CONTAINS **IMPORTANT** SAFETY INFORMATION. PLEASE READ AND KEEP FOR FUTURE REFERENCE.

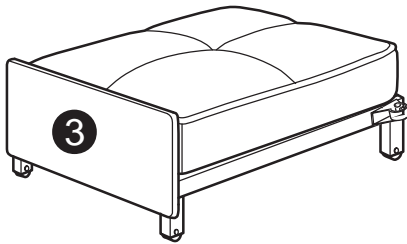
PARTS



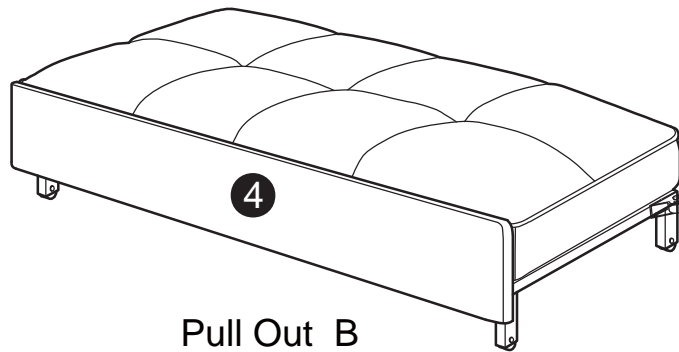
Sofa Body
QTY:1



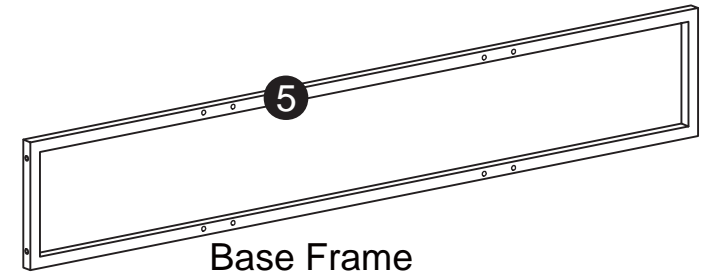
Arm
QTY:1 Pair



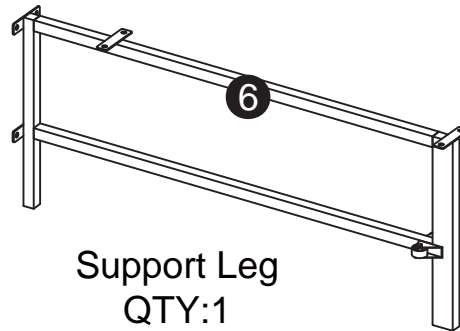
Pull Out A
QTY:1



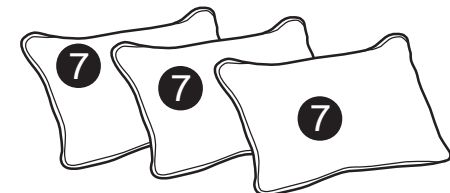
Pull Out B
QTY:1



Base Frame
QTY:1

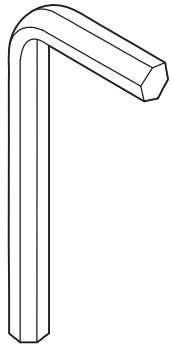


Support Leg
QTY:1

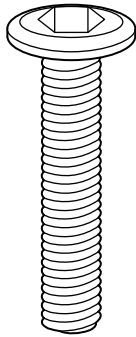


Pillow
QTY:3

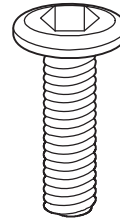
HARDWARE



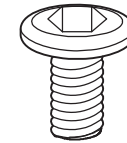
A
Allen Key
M5
QTY : 2 PCS



B
Bolt
M8 x 60MM
QTY : 4 PCS

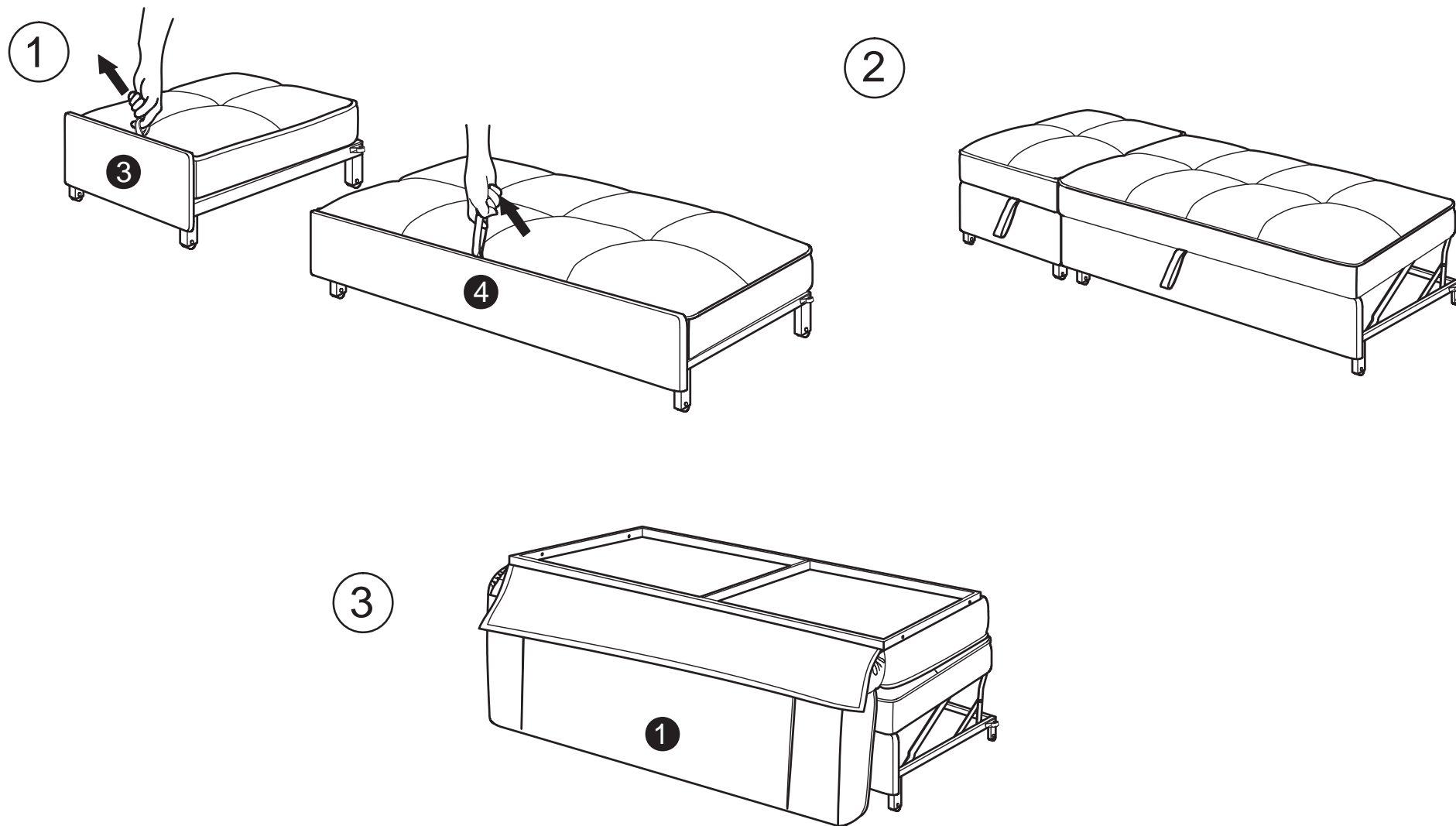


C
Bolt
M8 x 40MM
QTY : 4 PCS

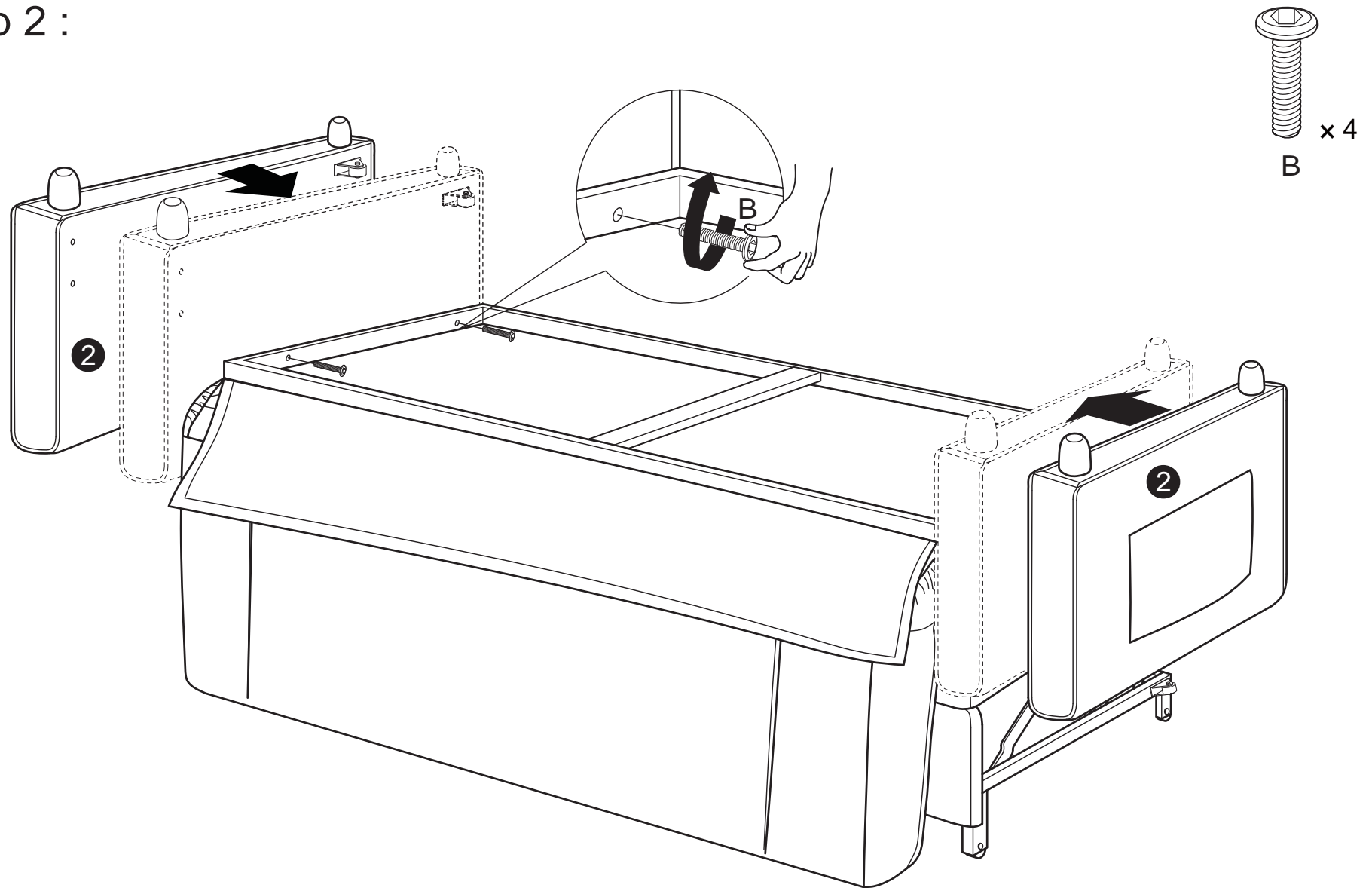


D
Bolt
M8 x 15MM
QTY : 8 PCS

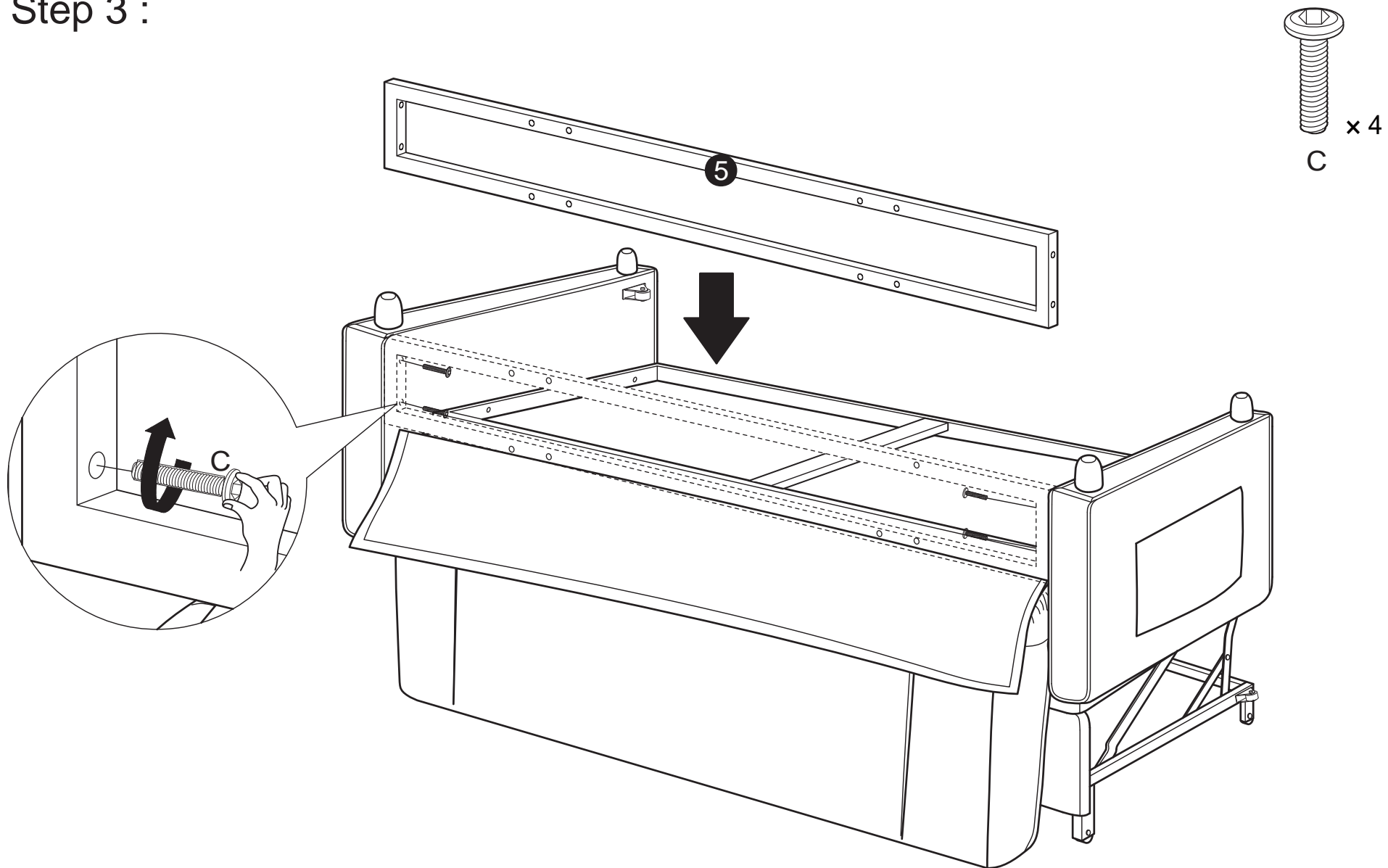
Step 1 :



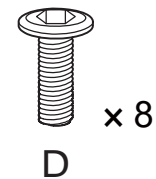
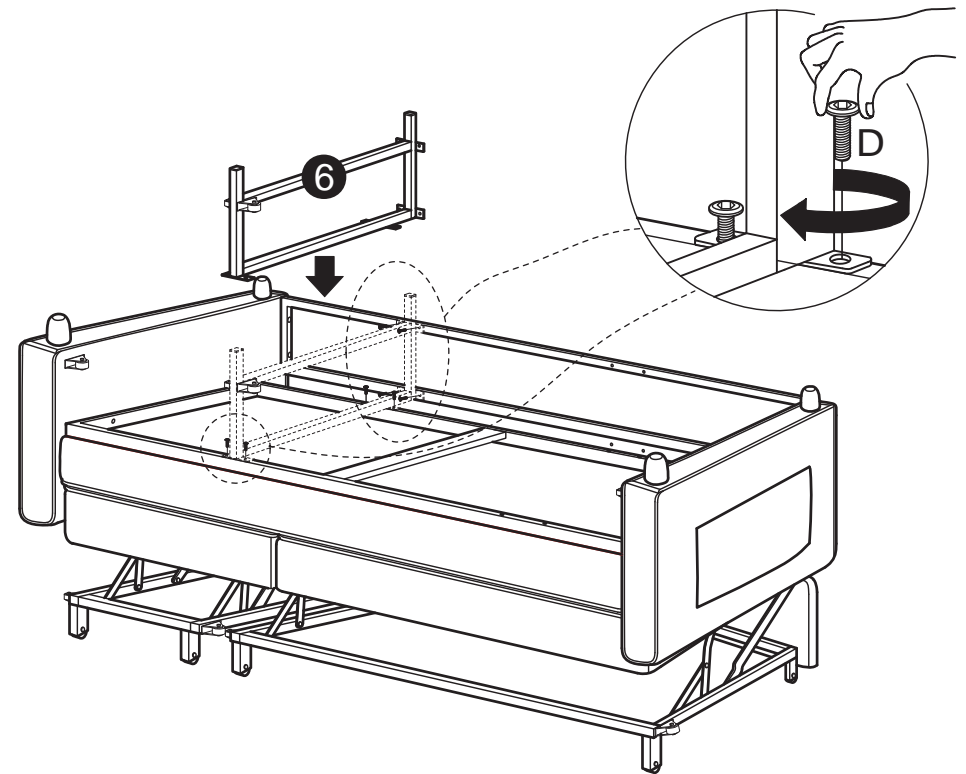
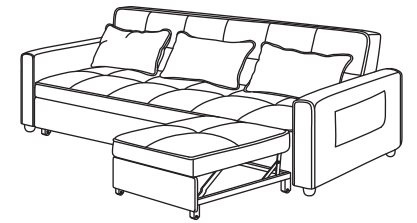
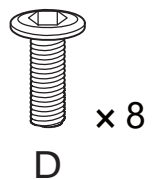
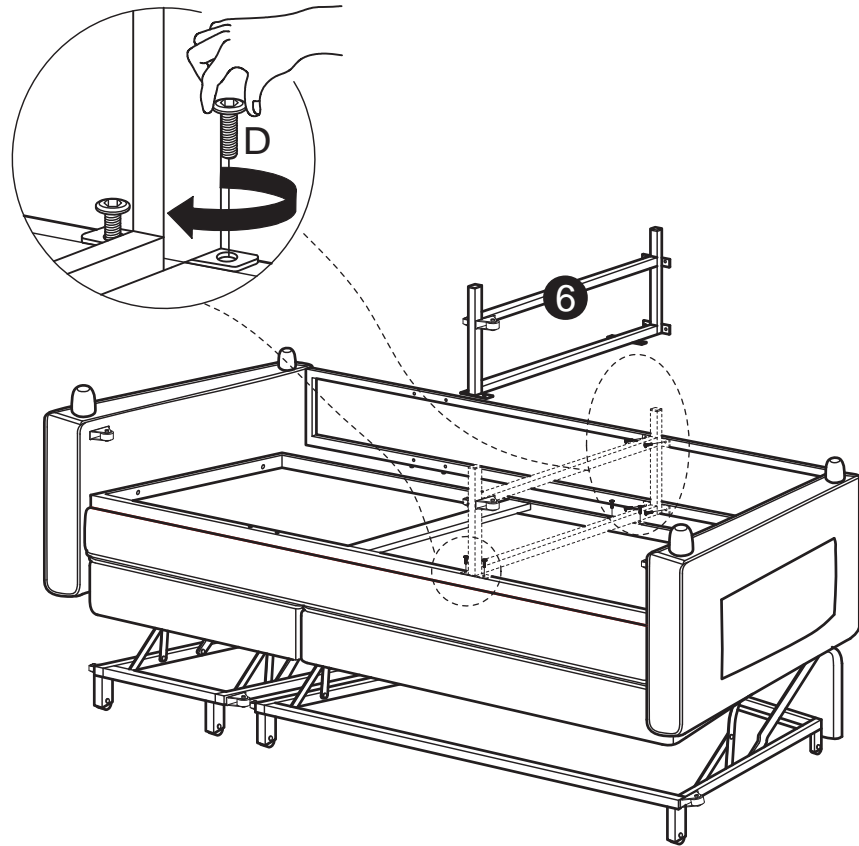
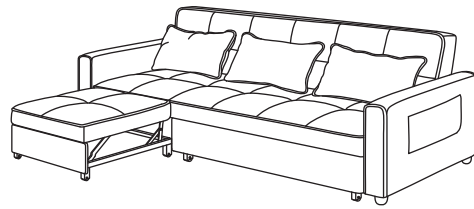
Step 2 :



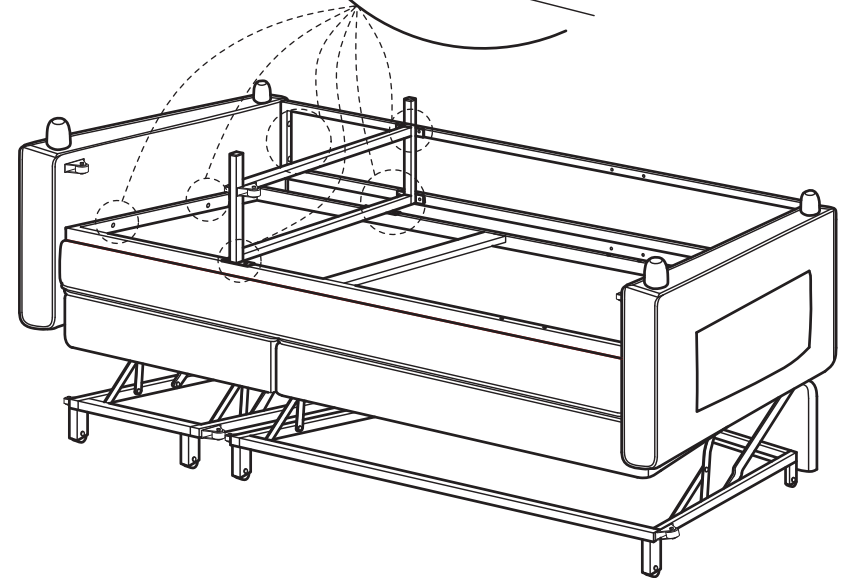
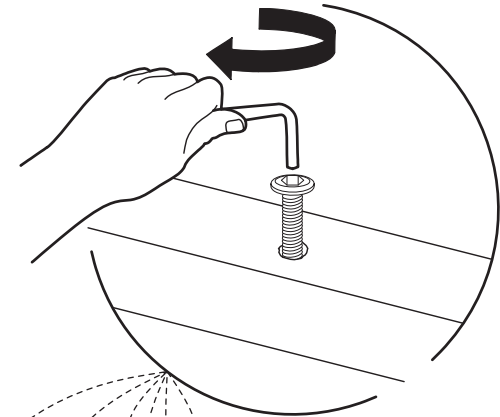
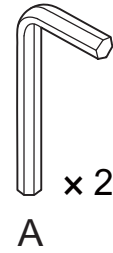
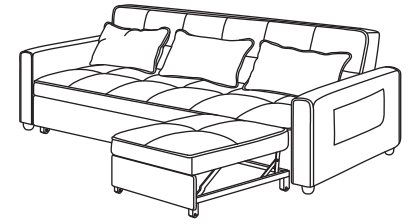
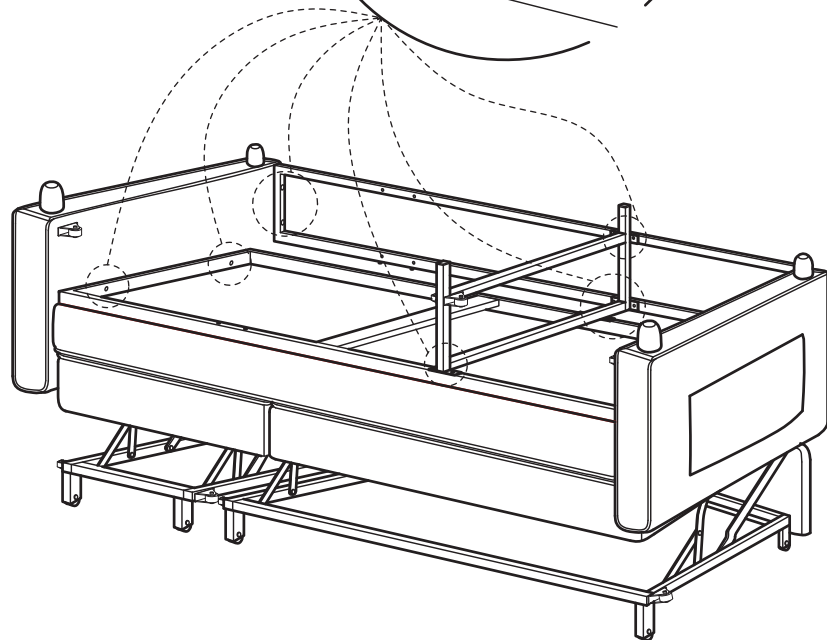
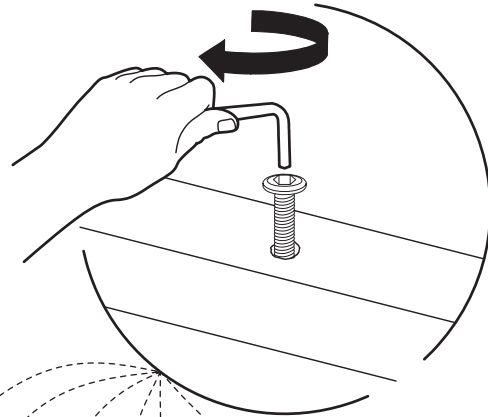
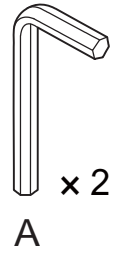
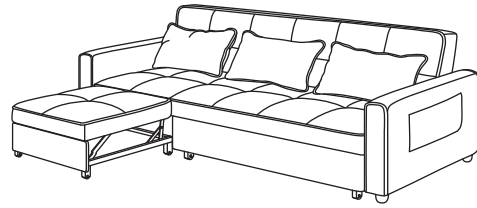
Step 3 :



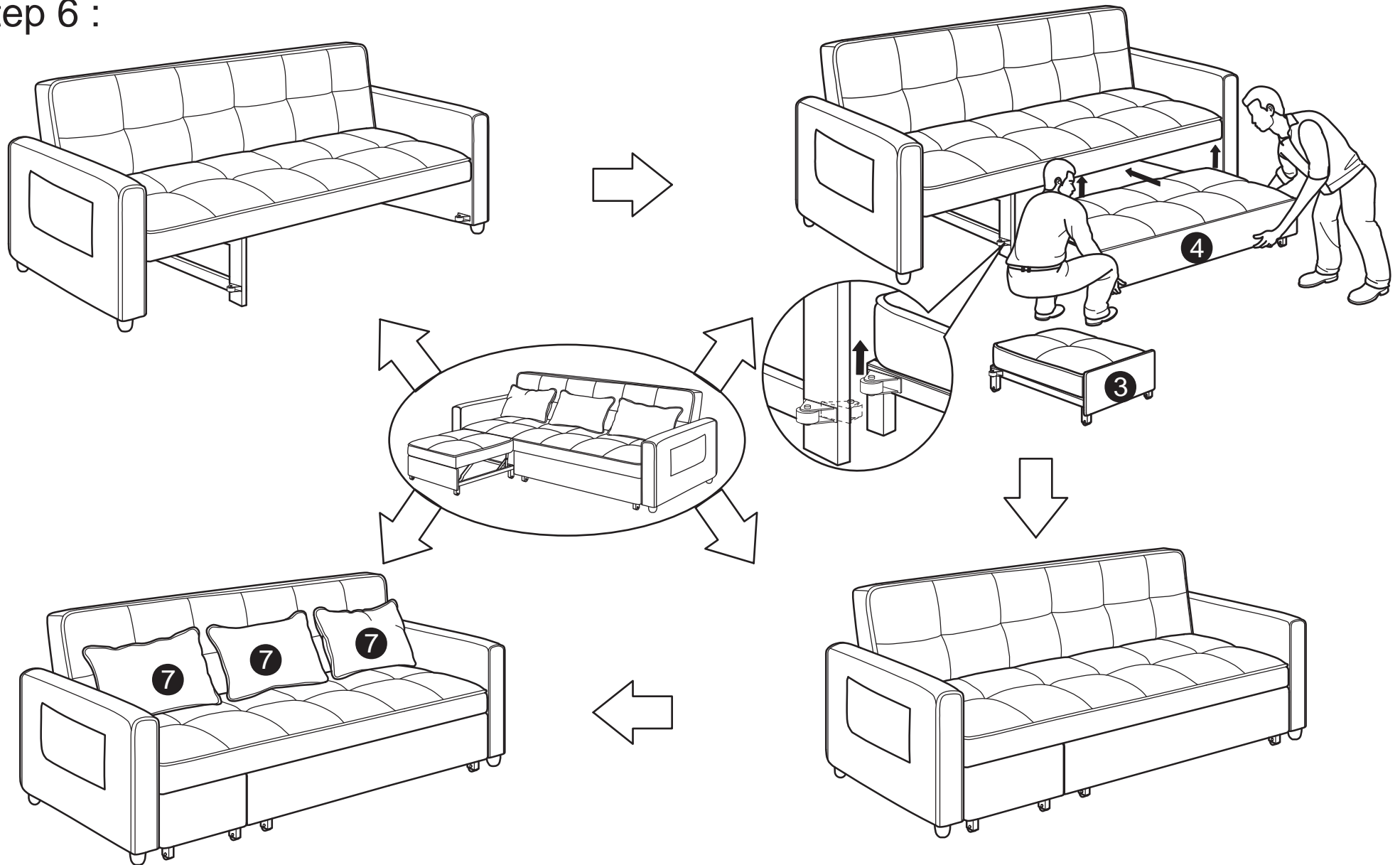
Step 4 :



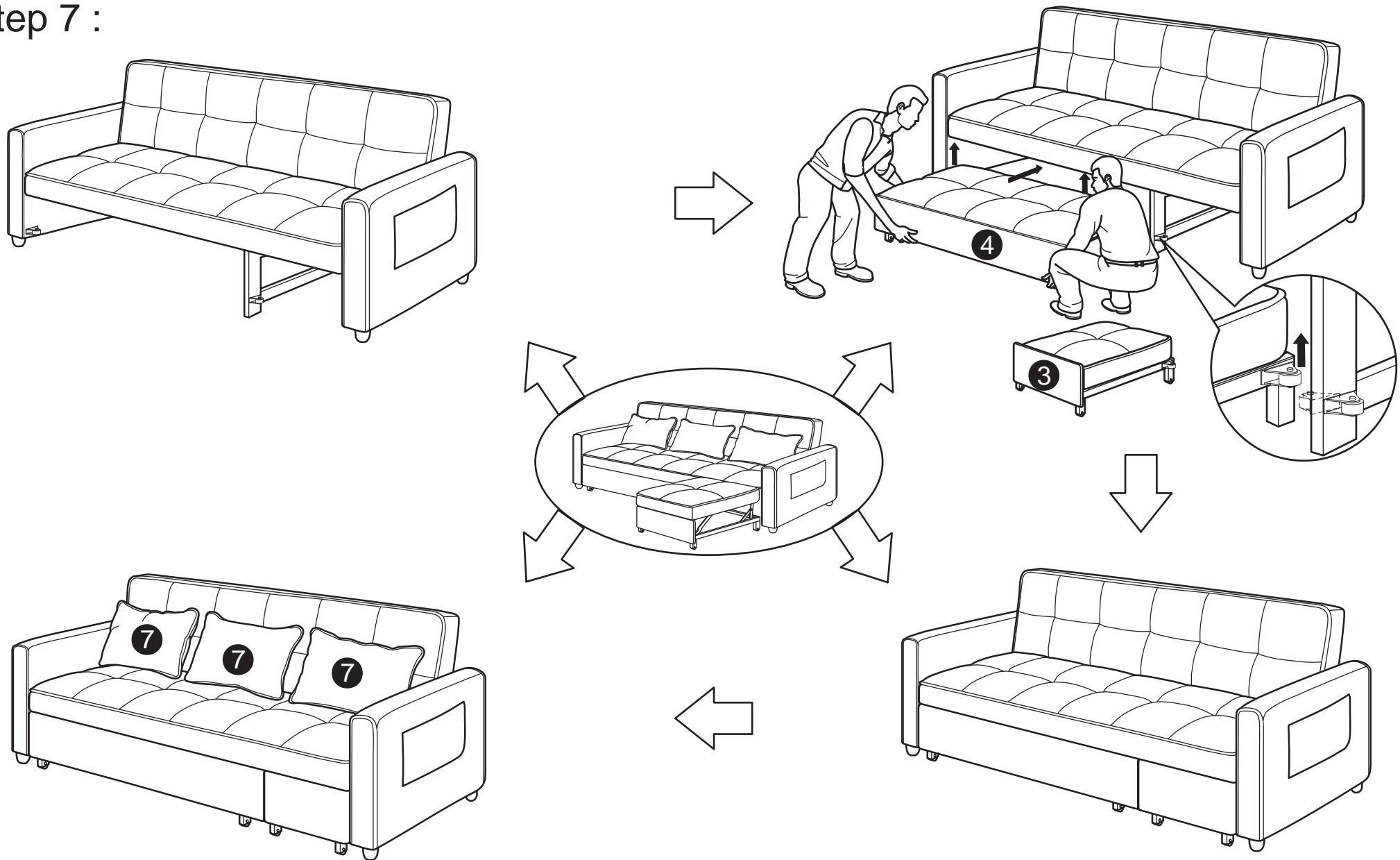
Step 5 :



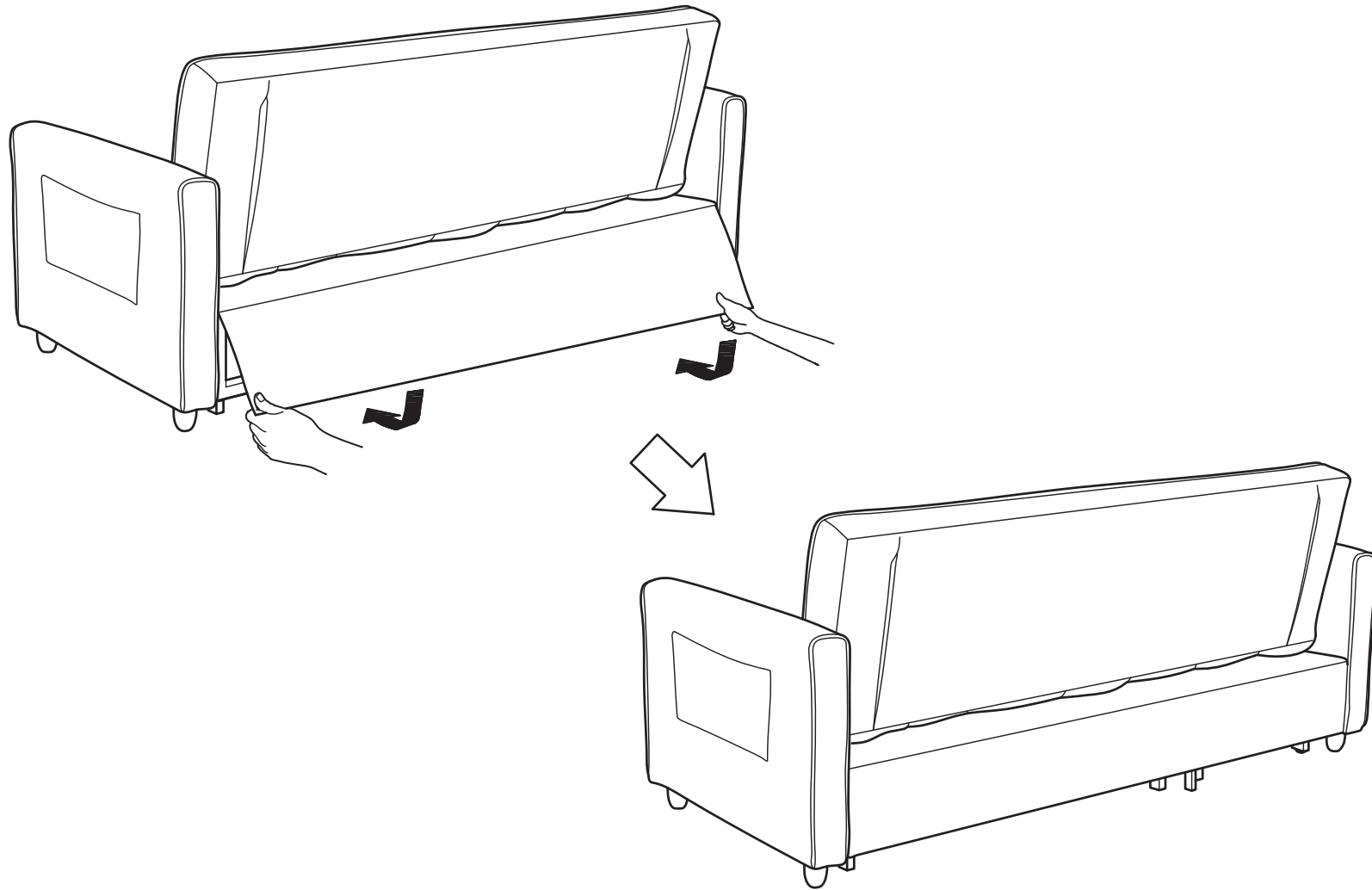
Step 6 :



Step 7 :

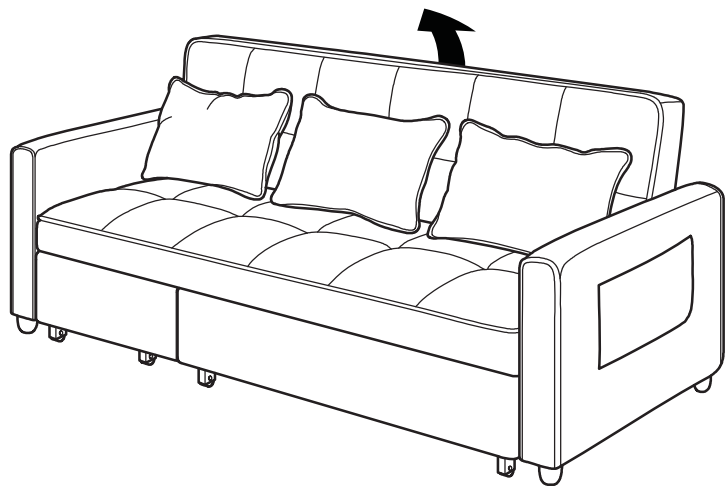


Step 8 :

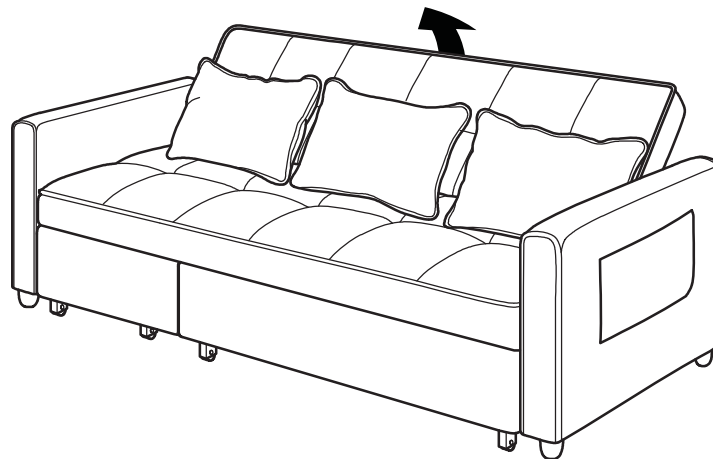


FUNCTIONS :

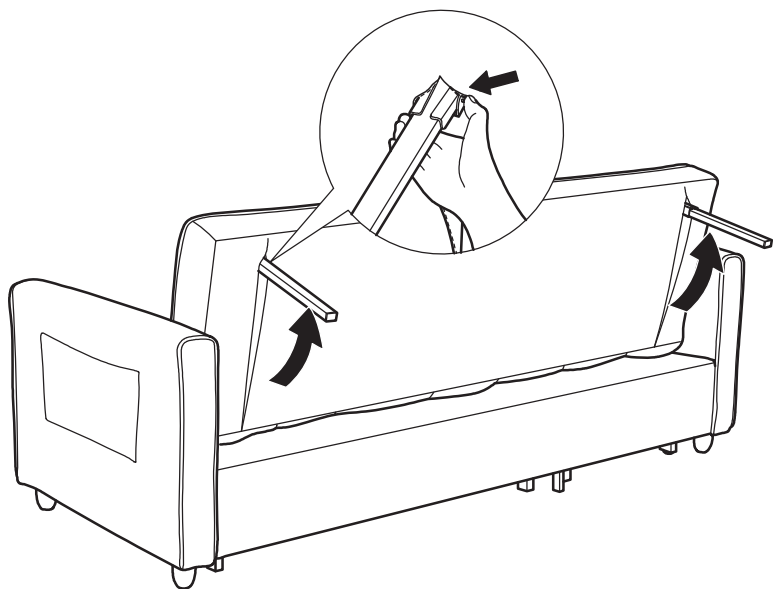
1



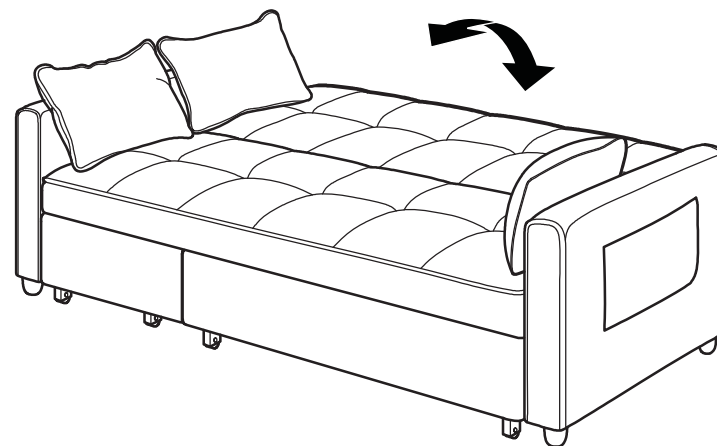
2



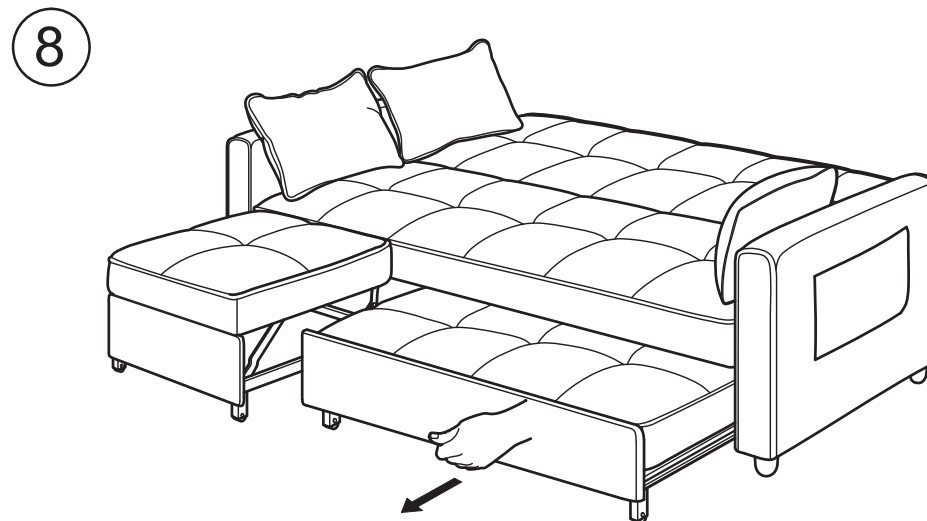
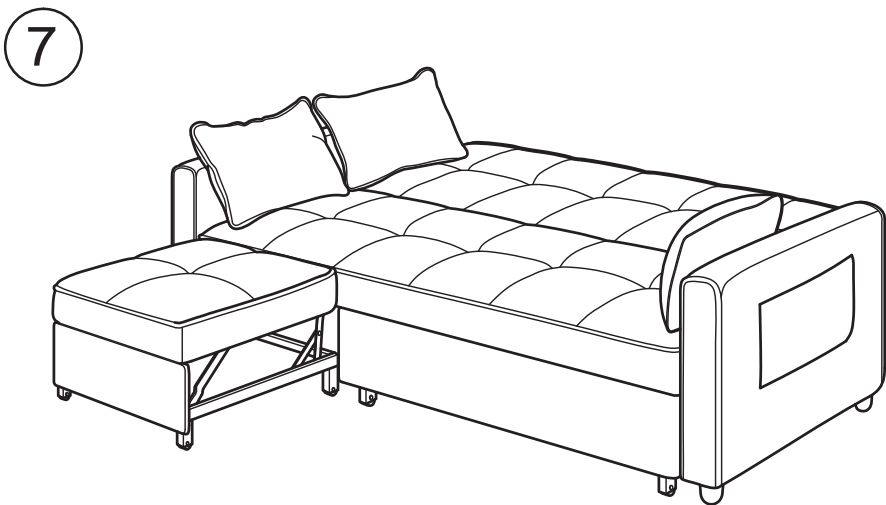
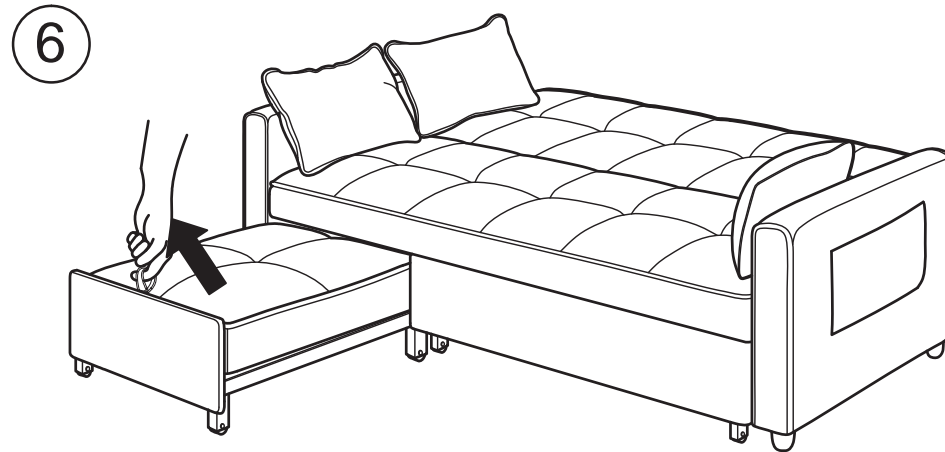
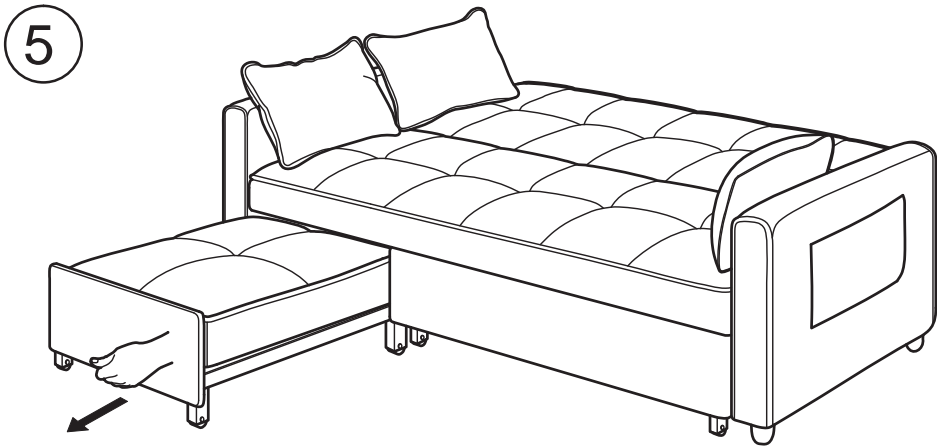
3



4

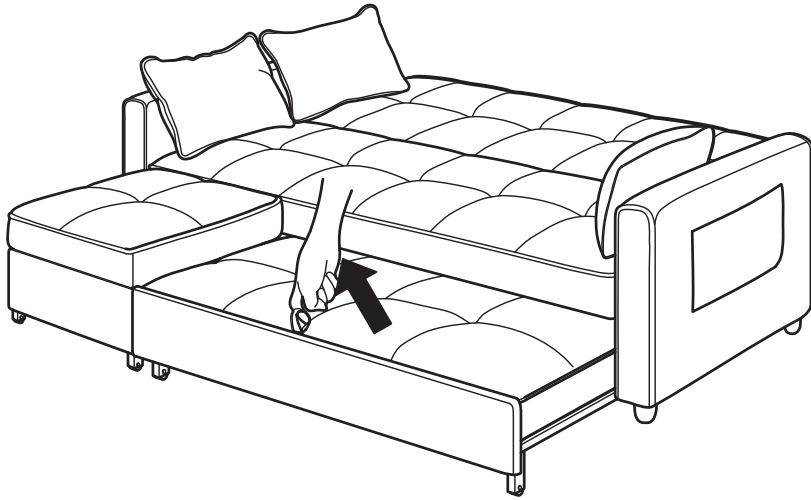


FUNCTIONS :

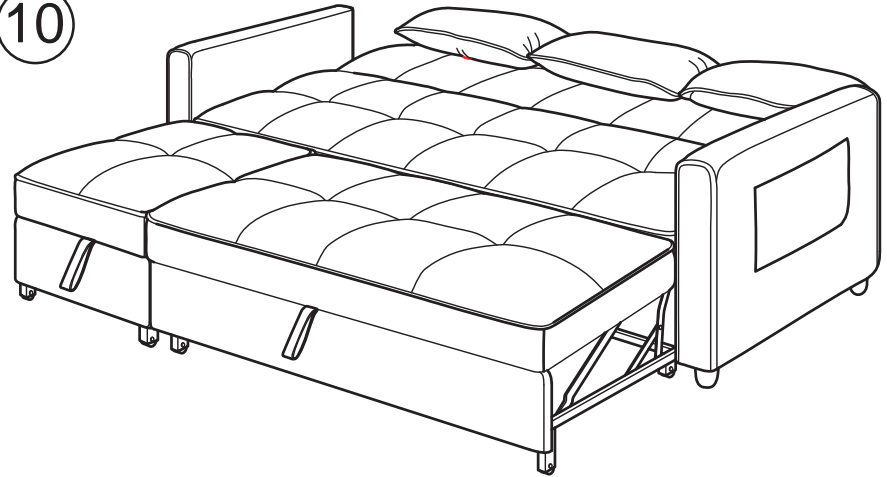


FUNCTIONS :

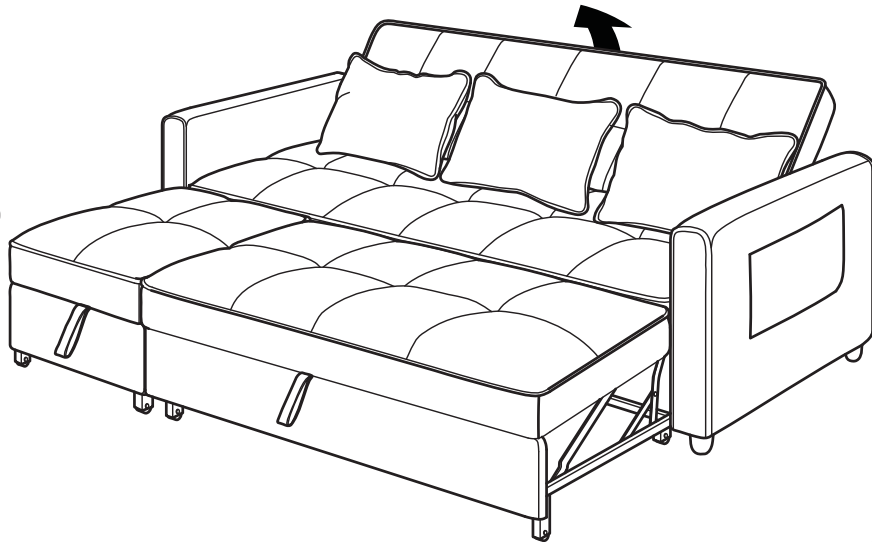
9



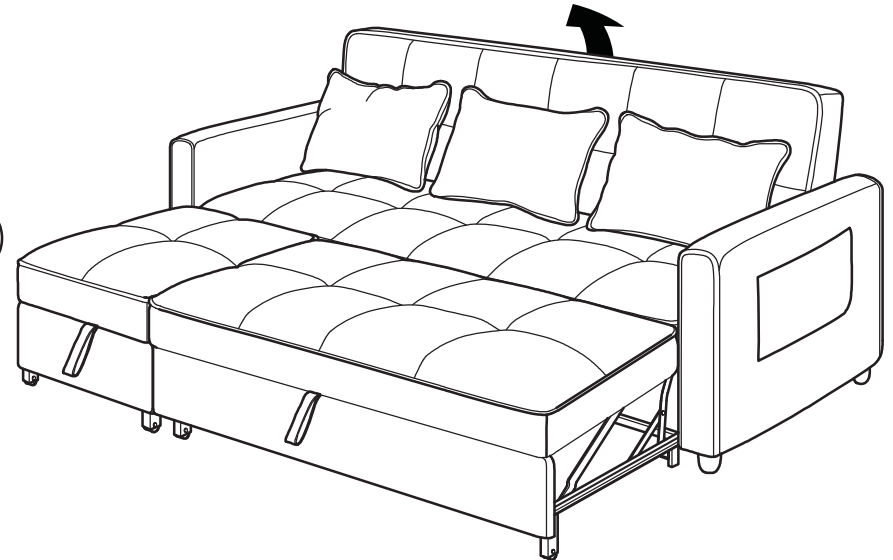
10



11

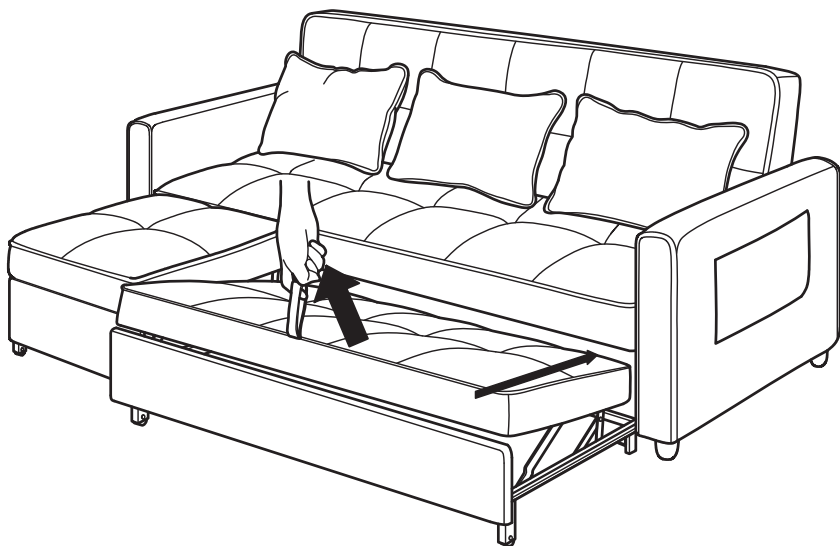


12

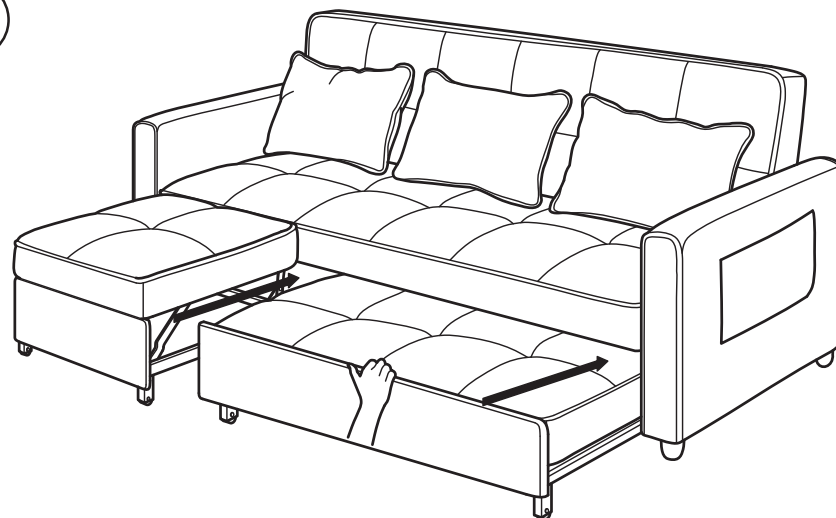


FUNCTIONS :

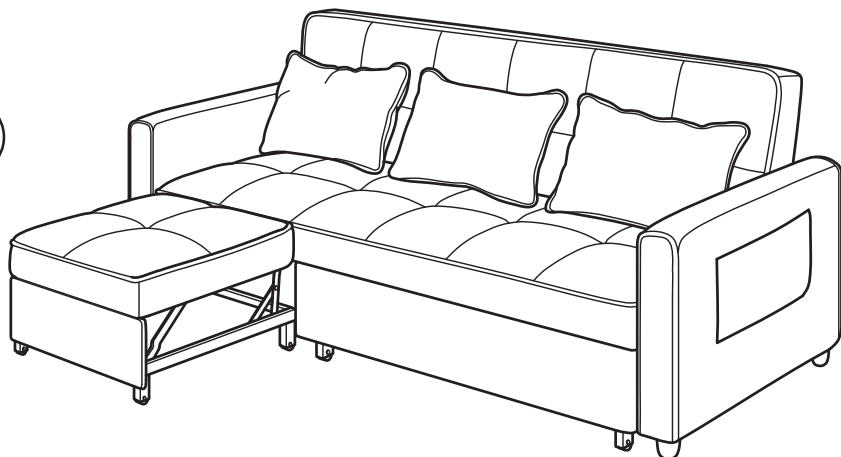
13



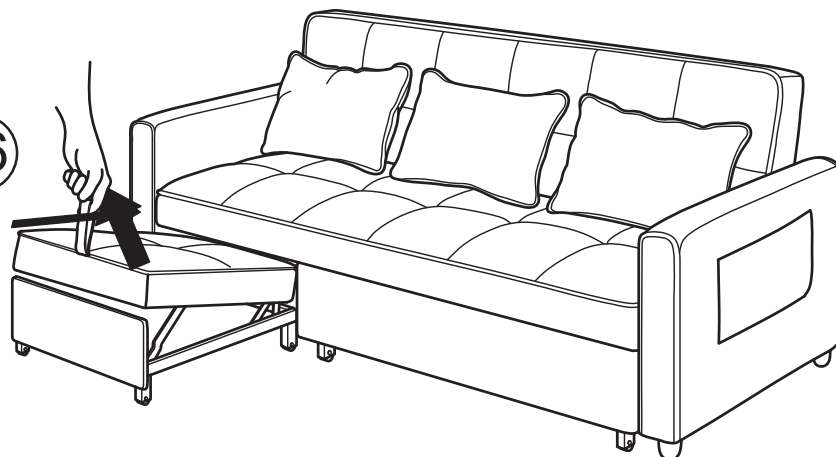
14



15

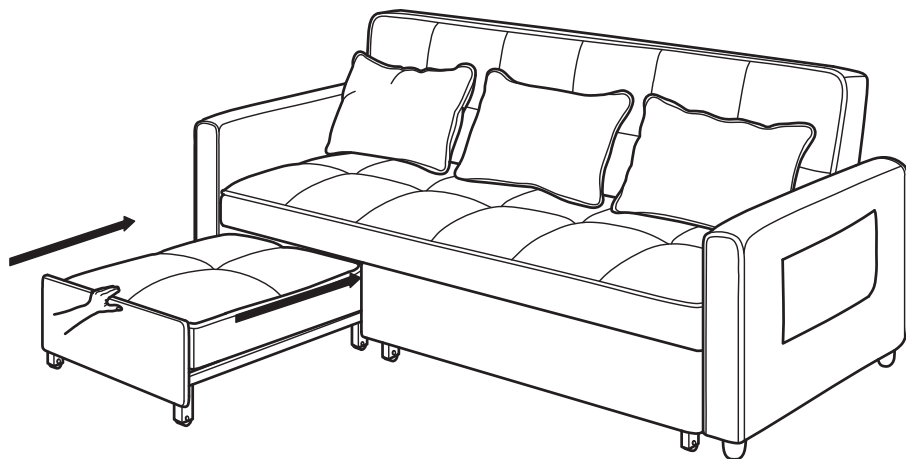


16



FUNCTIONS :

17



18

