

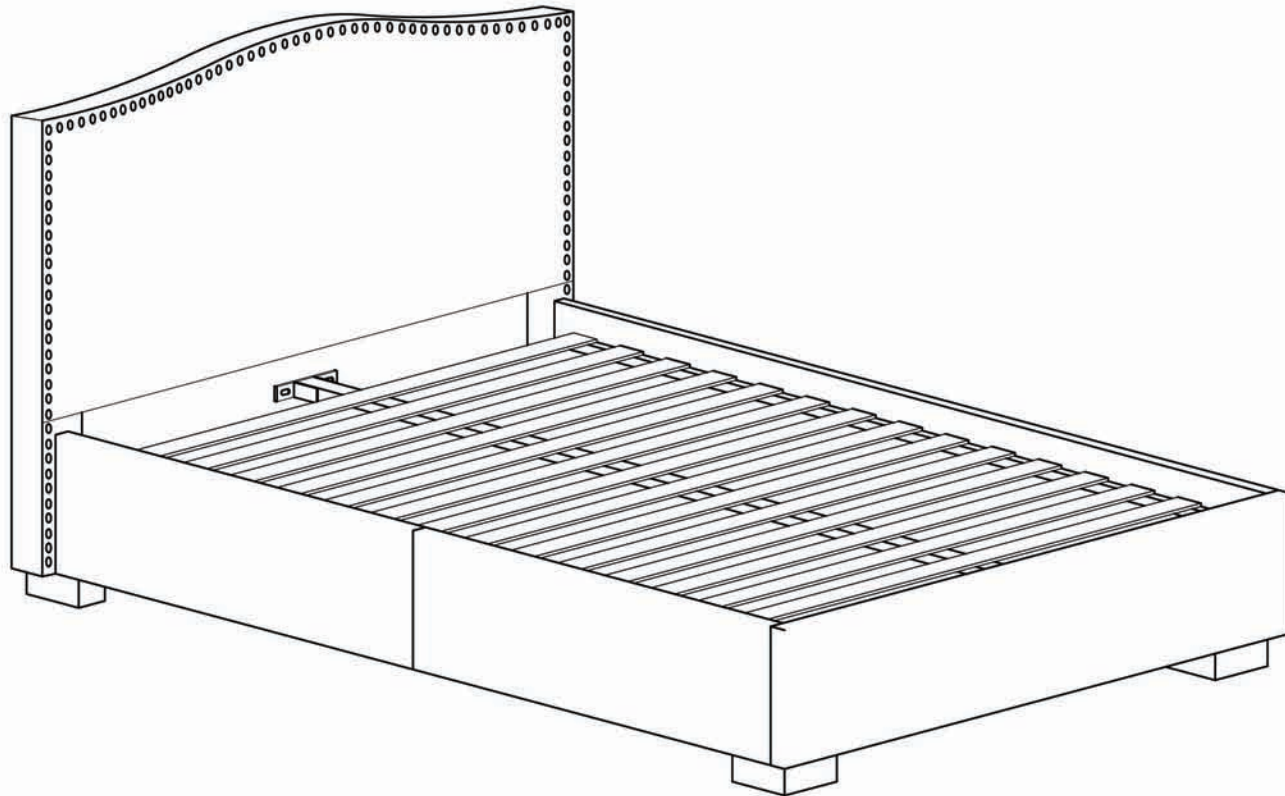
MOE'S

home collection

ASSEMBLY INSTRUCTIONS.








ZALE KING BED OATMEAL

RN-1138-34



THANK YOU FOR YOUR PURCHASE!

PARTS AND HARDWARE.

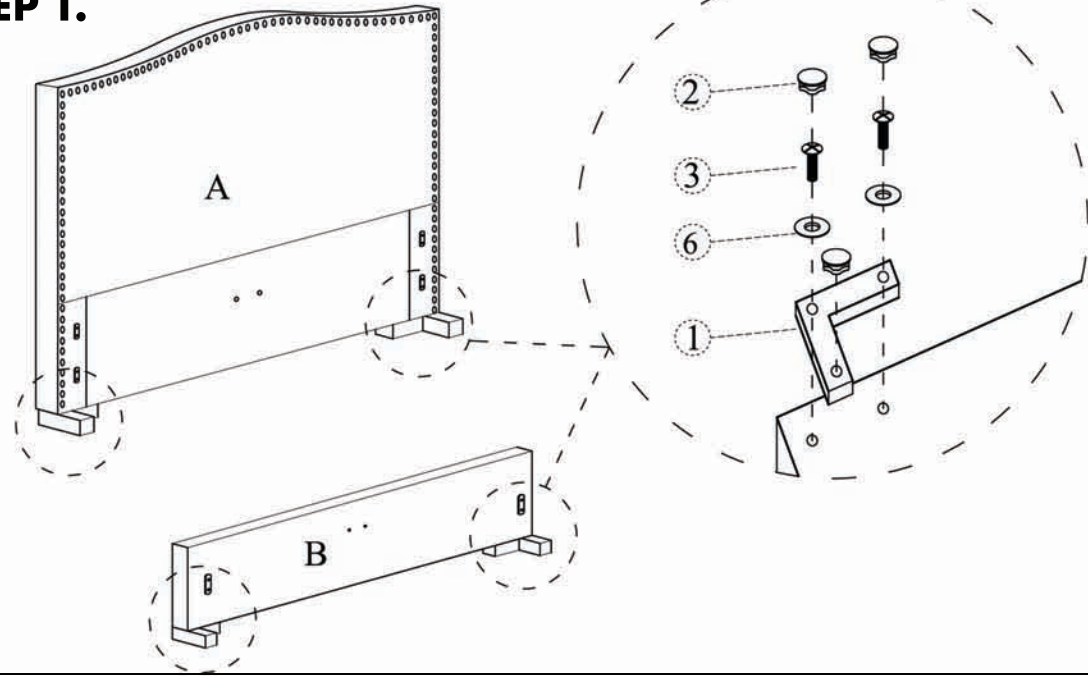
		
Ⓐ Headboard=1pc	Ⓑ Footboard=1pc	① Feet=4pcs
		
② Feet Stopper=12pcs	③ Bolts (M8*45)=8pcs	④ Bolts (M8*18)=12pcs
		
⑥ Washers(m8)=8pcs		

NOTES.

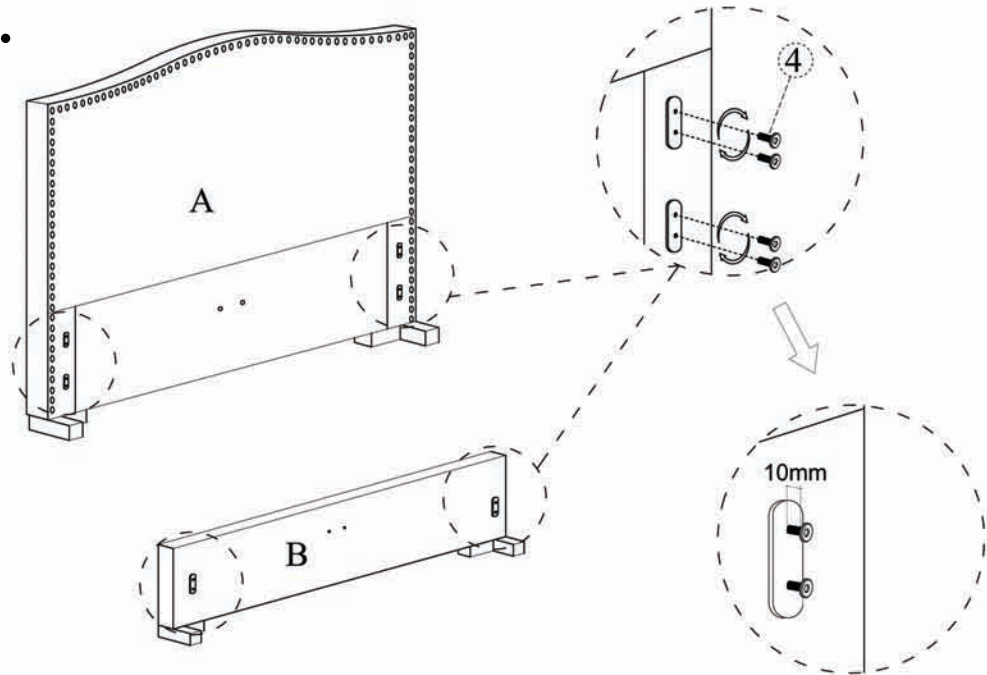
Thank you for purchasing this quality product! Be sure to check all packing material careful for small part that may have come loose inside the carton during shipping.

CAUTION:The item is heavy, assembly should be performed by two people.







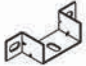

STEP 1.



STEP 2.



PARTS AND HARDWARE.

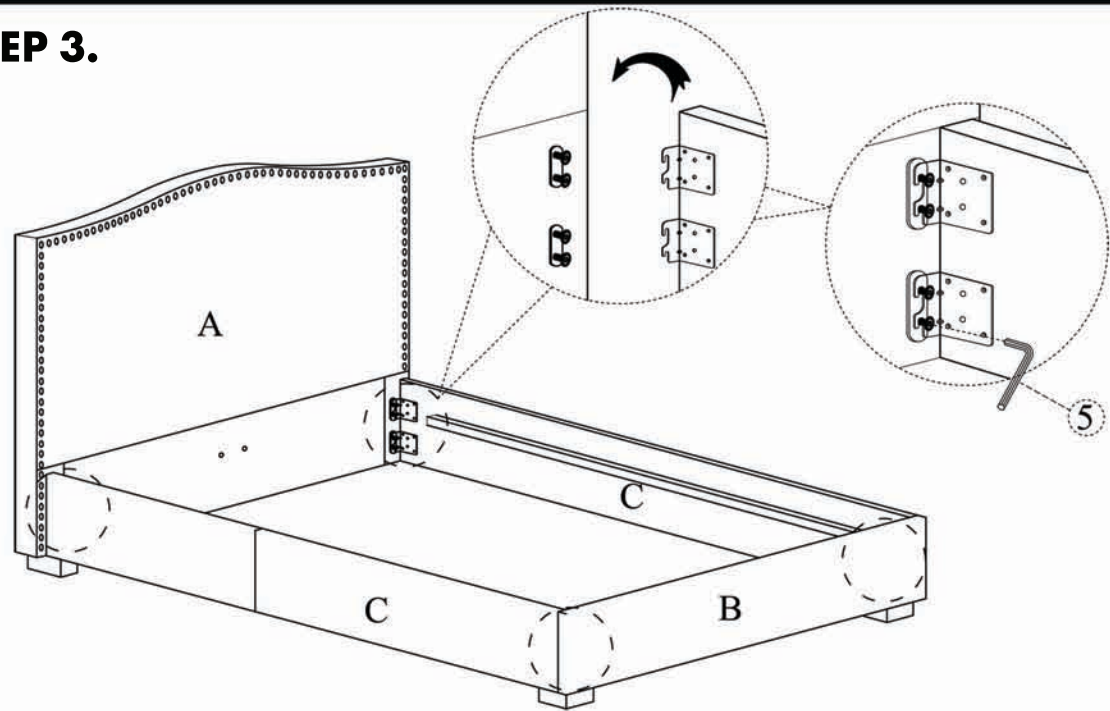
		
③ Side Rails=2pcs	① Centre Rail=1pc	③ Bolts (M8*45)=2pcs
		
⑤ Allen Key=1pc	⑥ Washers(m8)=4pcs	⑦ Bolts (M8*20)=2pcs
		
⑧ Brackets=2pcs	⑨ Support legs=2pcs	

NOTES.

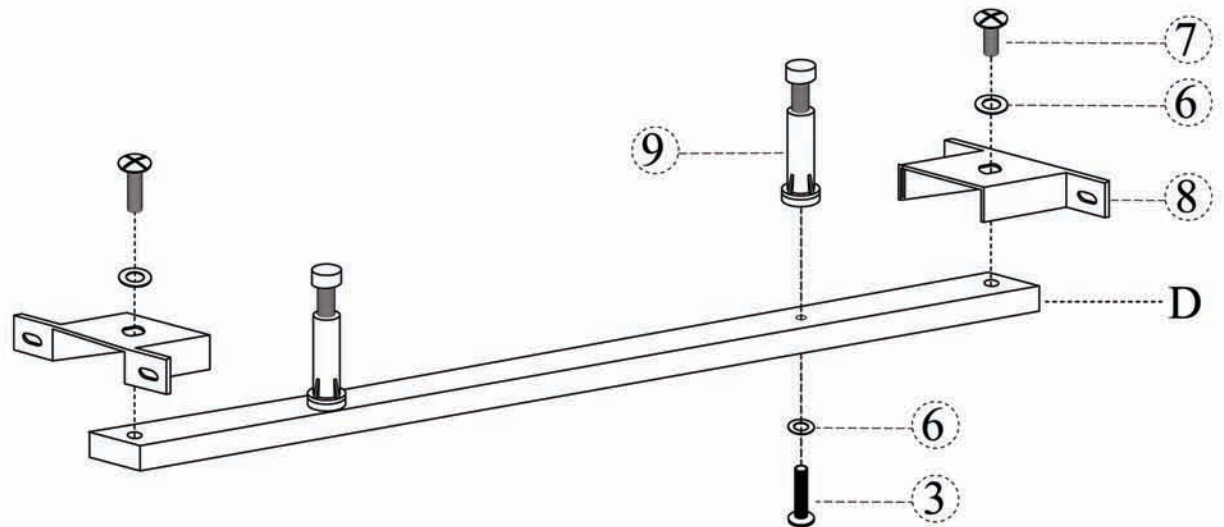
Thank you for purchasing this quality product! Be sure to check all packing material careful for small part that may have come loose inside the carton during shipping.

CAUTION:The item is heavy, assembly should be performed by two people.





STEP 3.



STEP 4.



PARTS AND HARDWARE.

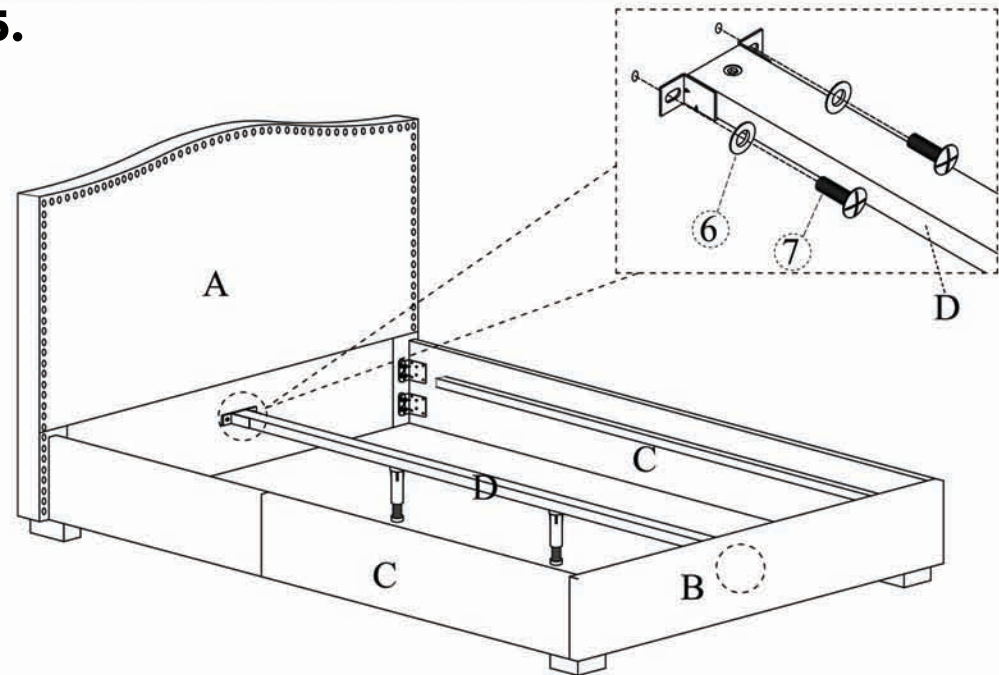
	
Ⓔ Slats=1pc	Ⓔ Bolts (M8*20)=4pcs
	
Ⓔ Washers(m8)=4pcs	Ⓔ Screws (m8*32)=42pcs

NOTES.

Thank you for purchasing this quality product!
Be sure to check all packing material careful
for small part that may have come loose
inside the carton during shipping.

CAUTION:The item is heavy,assembly
should be performed by two people.

STEP 5.



STEP 6.

