

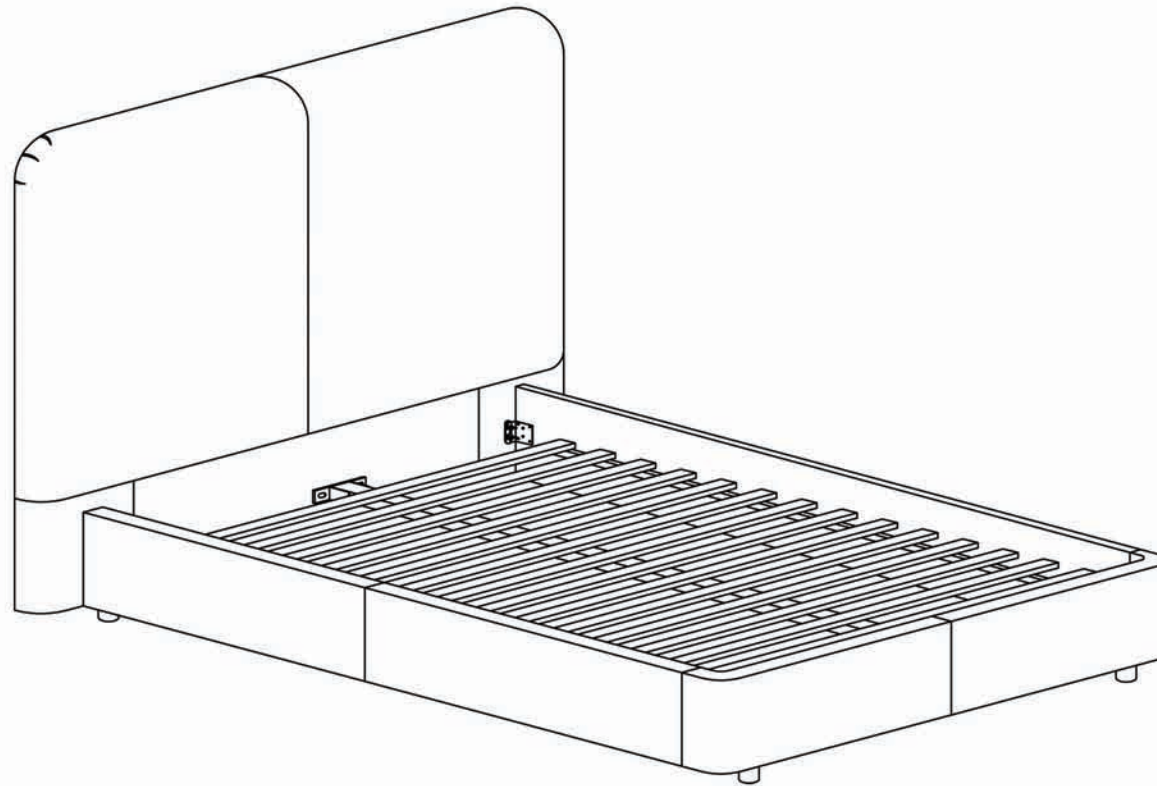
# MOE'S

home collection

## **ASSEMBLY INSTRUCTIONS.**

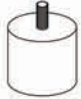




SAMARA QUEEN BED MUSTARD

**RN-1125-09**



THANK YOU FOR YOUR PURCHASE!

## PARTS AND HARDWARE.

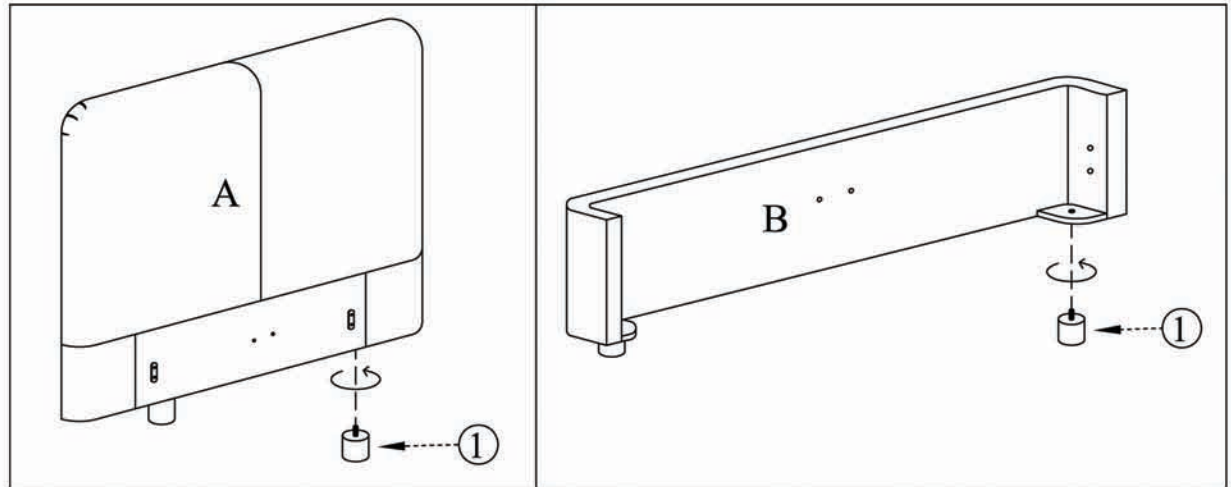
 Feet ① X 4	 Gold Bolt (m8*18) ② X 4
 Bolts (m8*20) ⑥ X 4	 Headboard A X 1
 Footboard B X 1	

## NOTES.

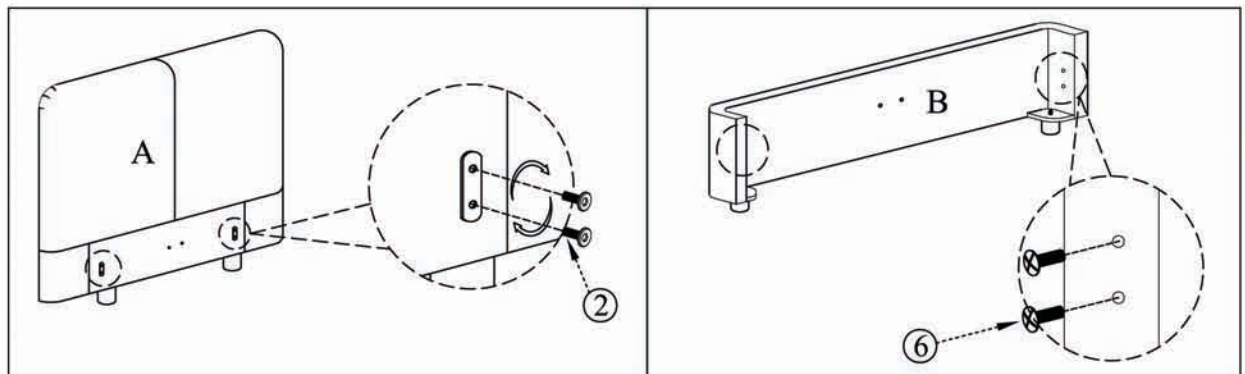
Thank you for purchasing this quality product! Be sure to check all packing material careful for small part that may have come loose inside the carton during shipping.

**CAUTION:** The item is heavy, assembly should be performed by two people.

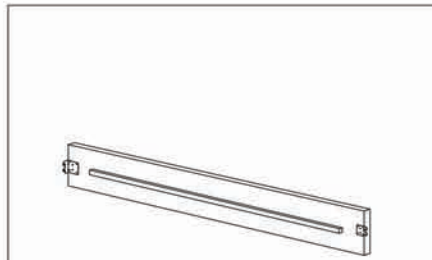
## STEP 1.



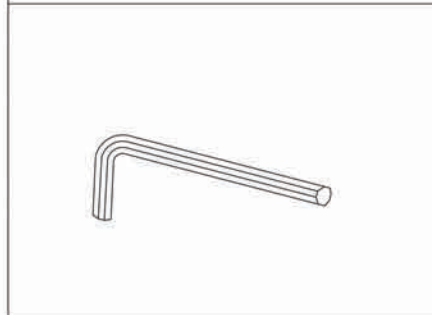
## STEP 2.



## PARTS AND HARDWARE.



③ Side Rails=2pcs



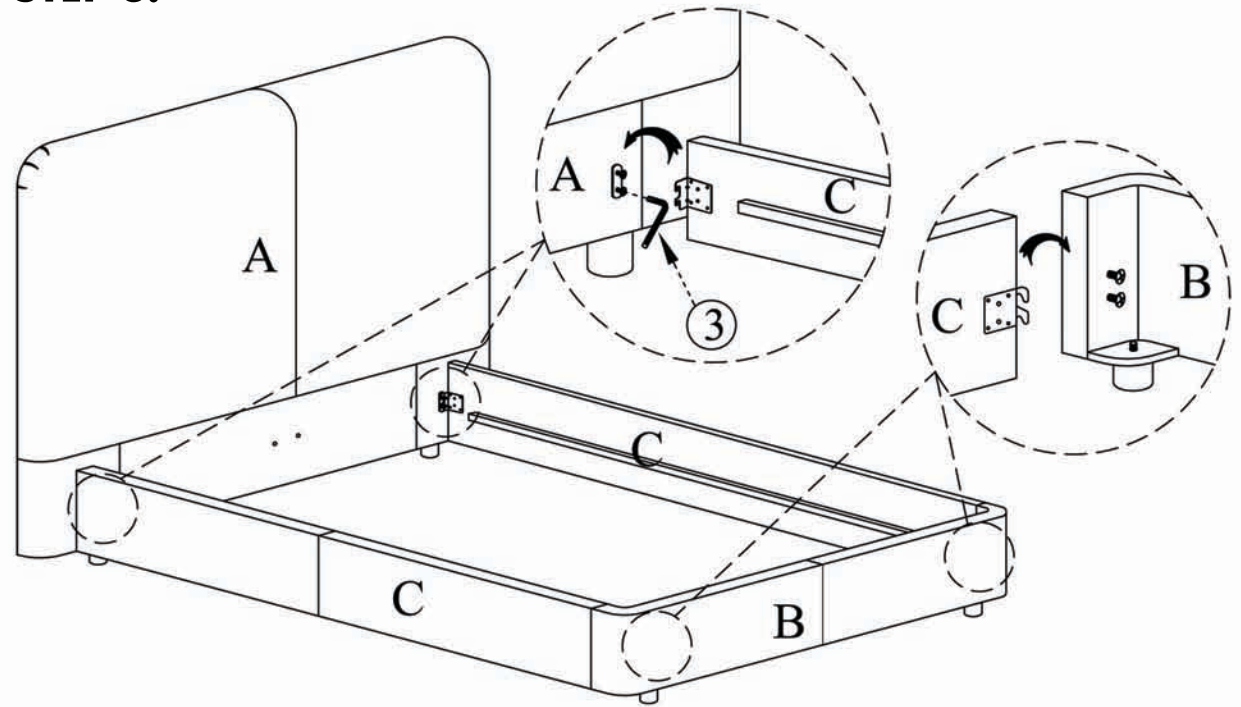
③ Allen Key

## NOTES.



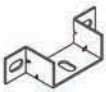



Thank you for purchasing this quality product!  
Be sure to check all packing material careful  
for small part that may have come loose  
inside the carton during shipping.

**CAUTION:**The item is heavy, assembly  
should be performed by two people.

## STEP 3.



## PARTS AND HARDWARE.

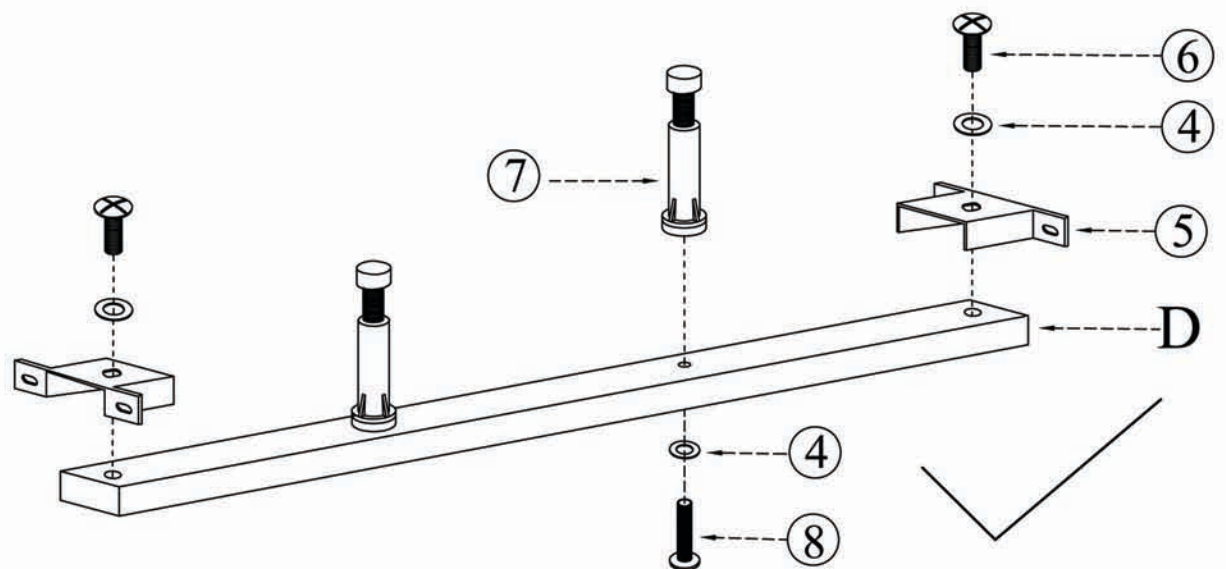
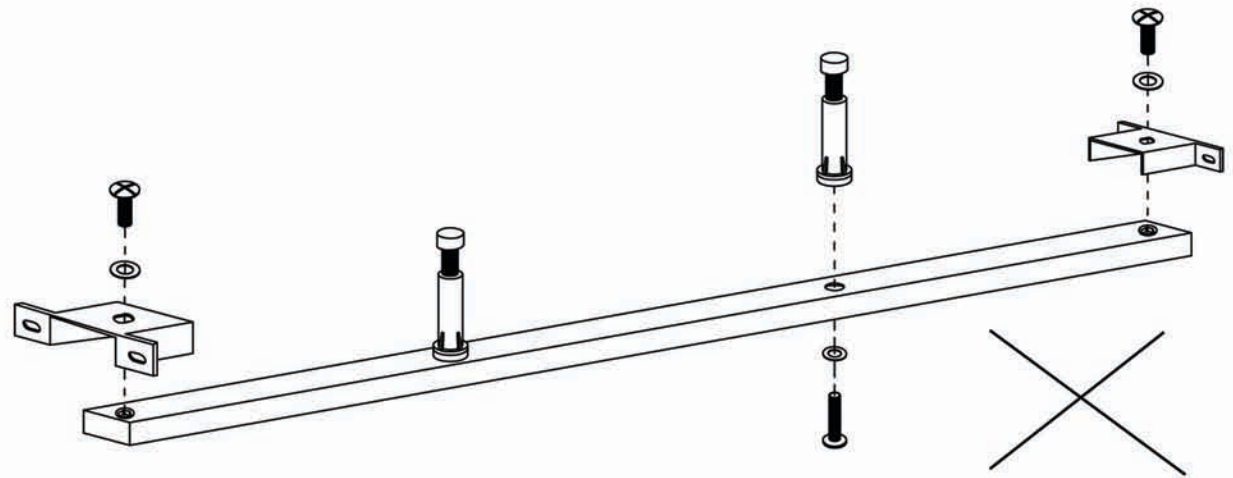
	
① Center Rail=1pc	④ Washers=4pcs
	
⑤ Brackets=2pcs	⑥ Bolts (M8*20)=2pcs
	
⑦ Support Legs=2pcs	⑧ Bolts (M8*40)=2pcs

## NOTES.





Thank you for purchasing this quality product! Be sure to check all packing material careful for small part that may have come loose inside the carton during shipping.

**CAUTION:** The item is heavy, assembly should be performed by two people.

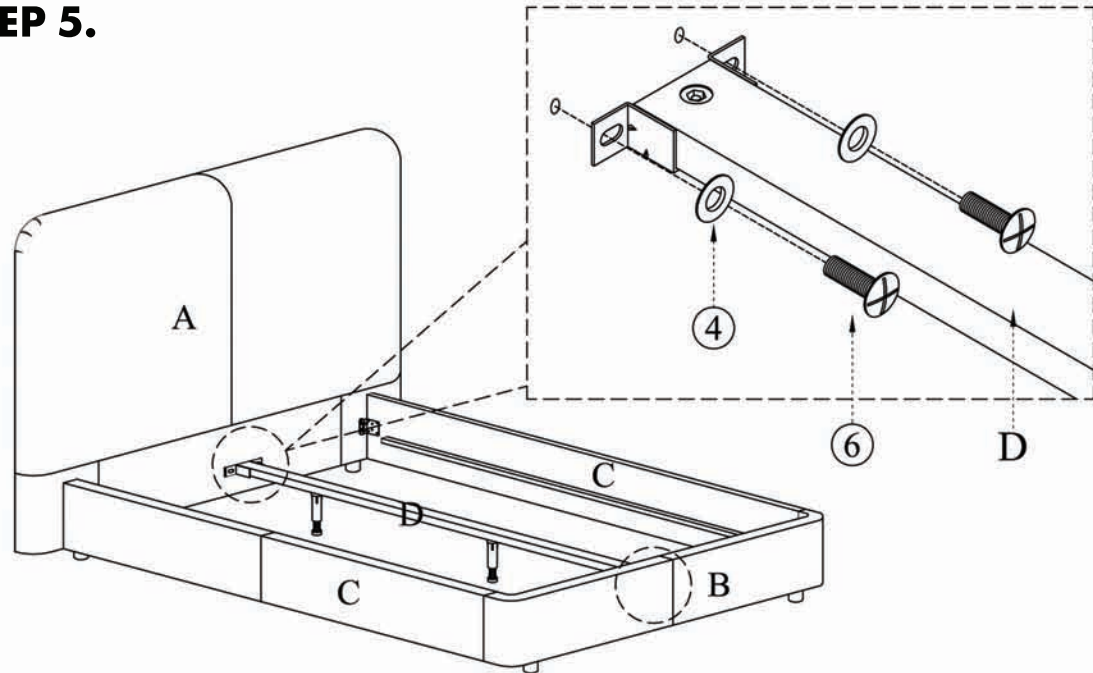
## STEP 4.



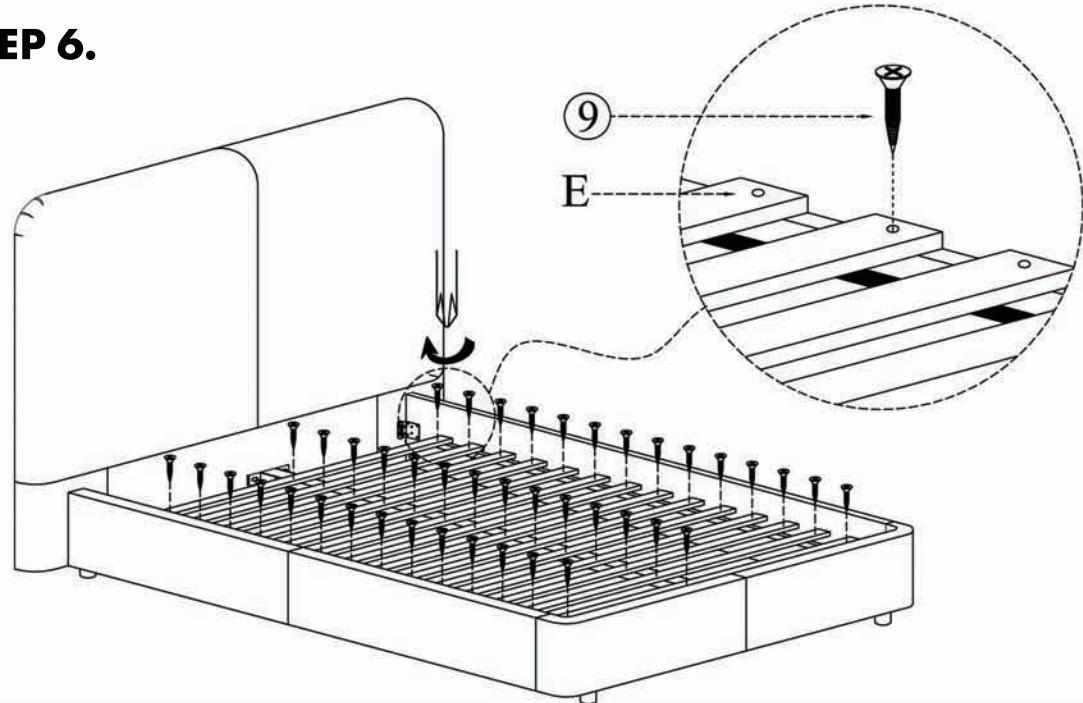
## PARTS AND HARDWARE.

 Washers (m8) ④ X 4	 Bolts(m8*20) ⑥ X 4
 Screws(m8*32) ⑨ X 42	 Slats E X 1

## STEP 5.



## STEP 6.



## NOTES.

Thank you for purchasing this quality product!  
Be sure to check all packing material careful  
for small part that may have come loose  
inside the carton during shipping.

**CAUTION:**The item is heavy,assembly  
should be performed by two people.