

# ASSEMBLY INSTRUCTION

FULL SIZE & QUEEN SIZE

## 1A. PARTS IN THIS BOX.



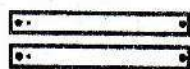
Back Rails and Slats x 1



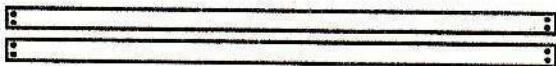
Seat Rails and Slats x 1



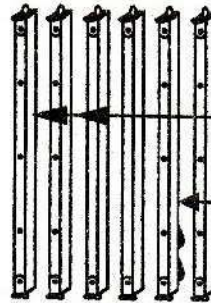
Back Side Rails x 2



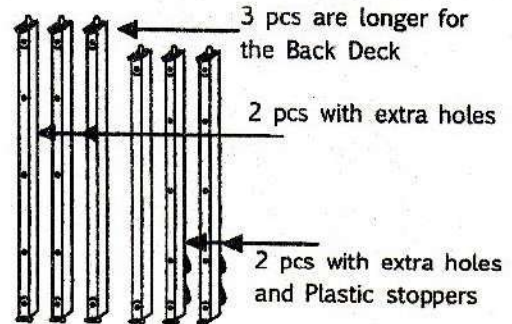
Seat Side Rails x 2



Stretchers x 2




FULL SIZE: Slat Supports x 6




QUEEN SIZE: Slat Supports x 6


## 1B. HARDWARE IN THIS BOX


 60mm Bolts x 8

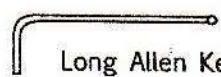
 35mm Bolts x 12

 16mm Bolts x 12

 Barrel Nuts x 8

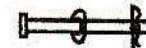
 Wooden Dowels x 16

 Wood Buttons x 4

 Long Allen Key x 1



B3 Roller complete with Clevis pin, Washer and Locking pin x 4



Clevis pin with Washer and Locking pin x 2

## 1C. QUEEN SIZE ONLY: EXTRA PARTS.



Short Legs x 2



50mm Bolts x 2

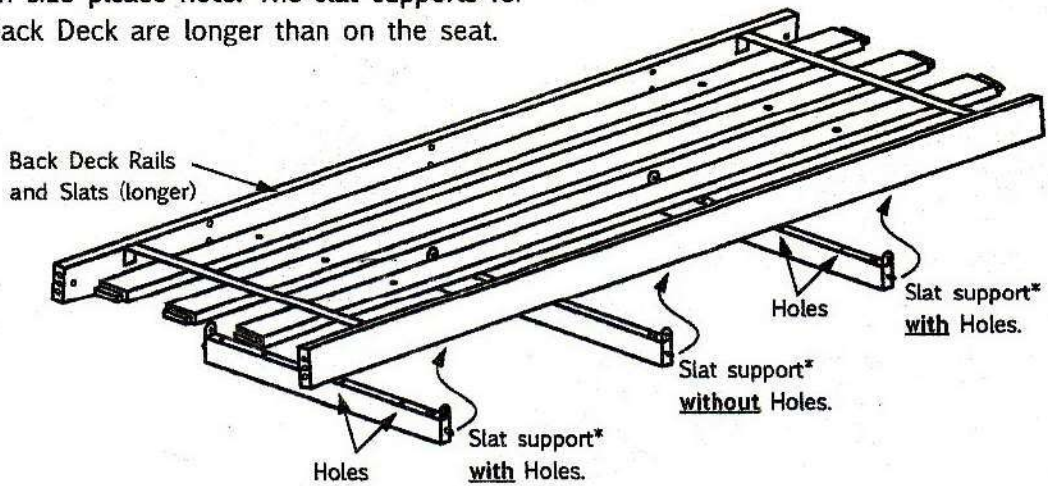
# ASSEMBLY INSTRUCTION

FULL SIZE & QUEEN SIZE

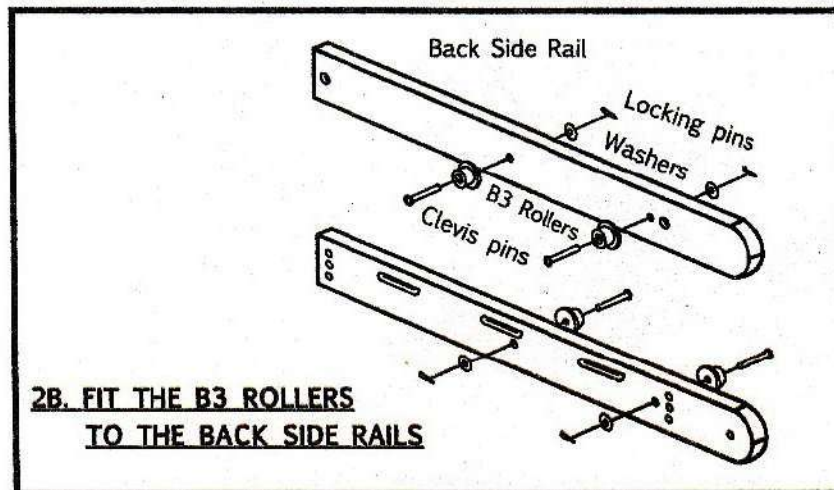
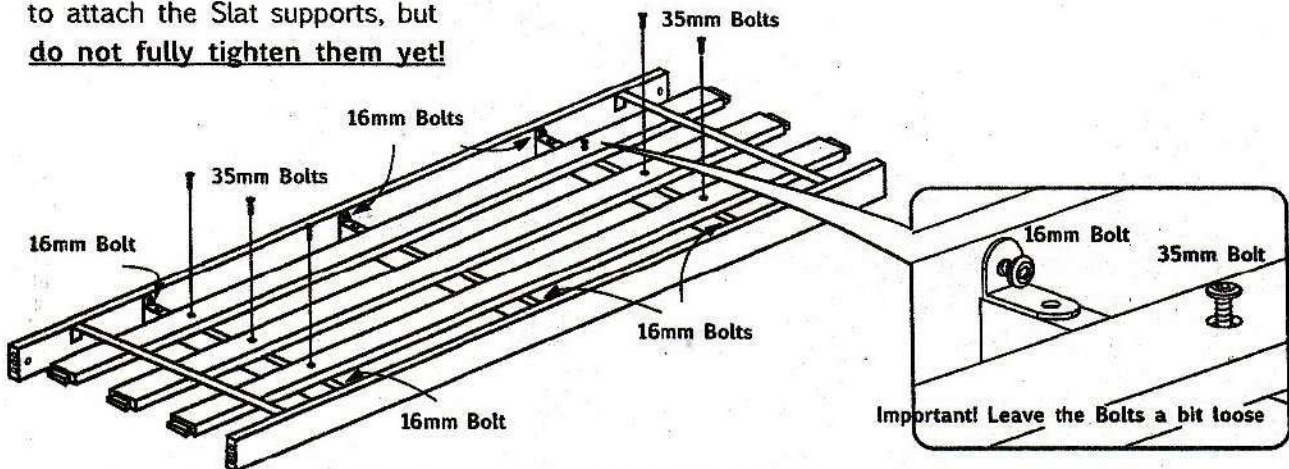
## 2A. FIT THE SLAT SUPPORTS TO THE BACK DECK

The Back Deck slat bundle is longer than the seat. Identify the correct slat supports as shown below, and fit under the slats.

\*Queen size please note: The slat supports for the Back Deck are longer than on the seat.



Use the 16mm Bolts and the 35mm Bolts to attach the Slat supports, but do not fully tighten them yet!



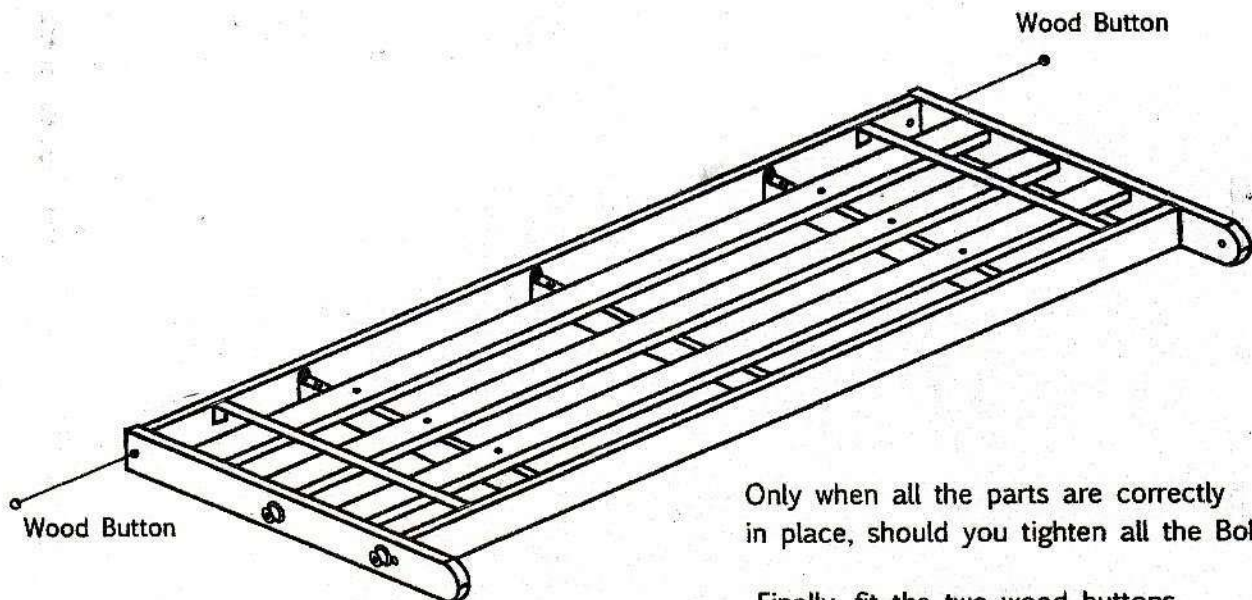
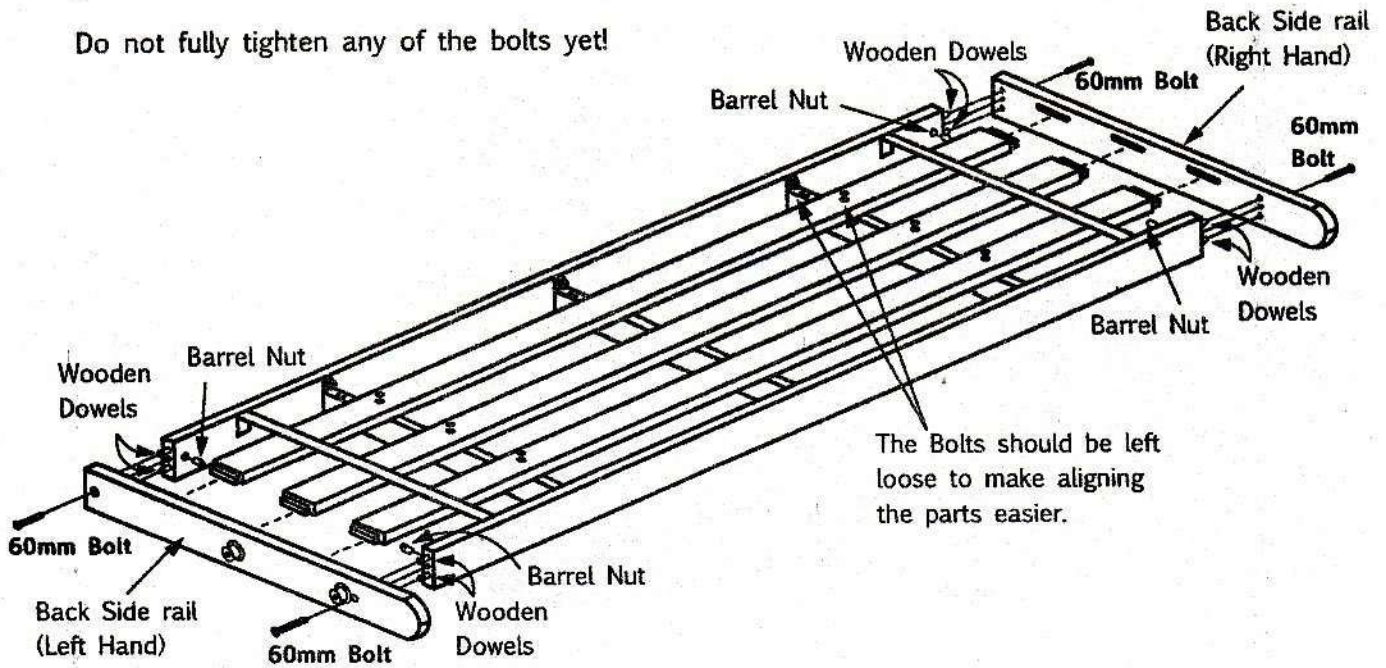
# ASSEMBLY INSTRUCTION

FULL SIZE & QUEEN SIZE

## 3A. ASSEMBLE THE SIDE RAILS TO THE BACK DECK.

Push fit or lightly tap the Wooden dowels into the ends of the Seat deck. Use 60mm Bolts and Barrel Nuts to fix the Back Side Rails to the Back Deck.

Do not fully tighten any of the bolts yet!



Only when all the parts are correctly in place, should you tighten all the Bolts.

Finally, fit the two wood buttons.

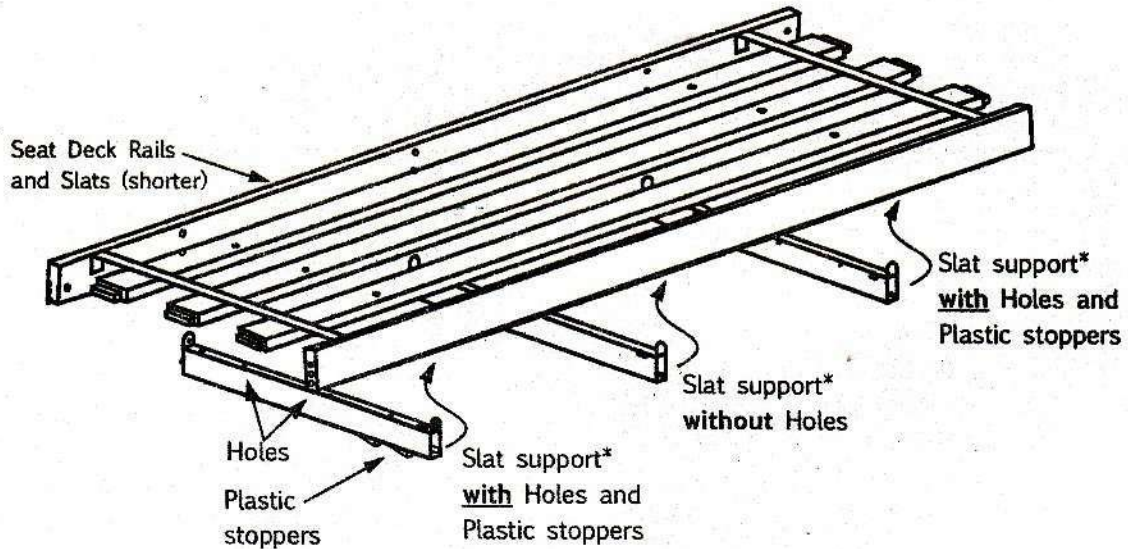
# ASSEMBLY INSTRUCTION

FULL SIZE & QUEEN SIZE

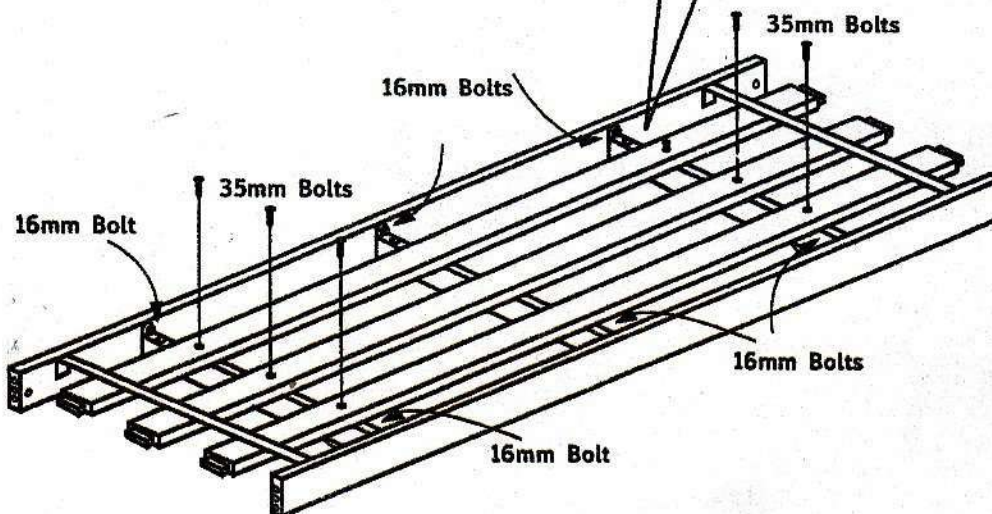
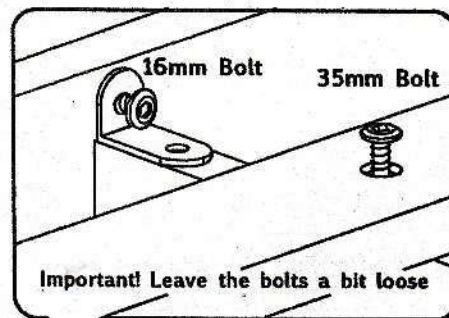
## 4A. FIT THE SLAT SUPPORTS TO THE SEAT DECK

The Seat Deck slat bundle is shorter than the seat.

Identify the correct slat supports as shown below, and fit under the slats.



Use the 16mm Bolts and the 35mm Bolts to attach the Slat supports, but do not fully tighten them yet!



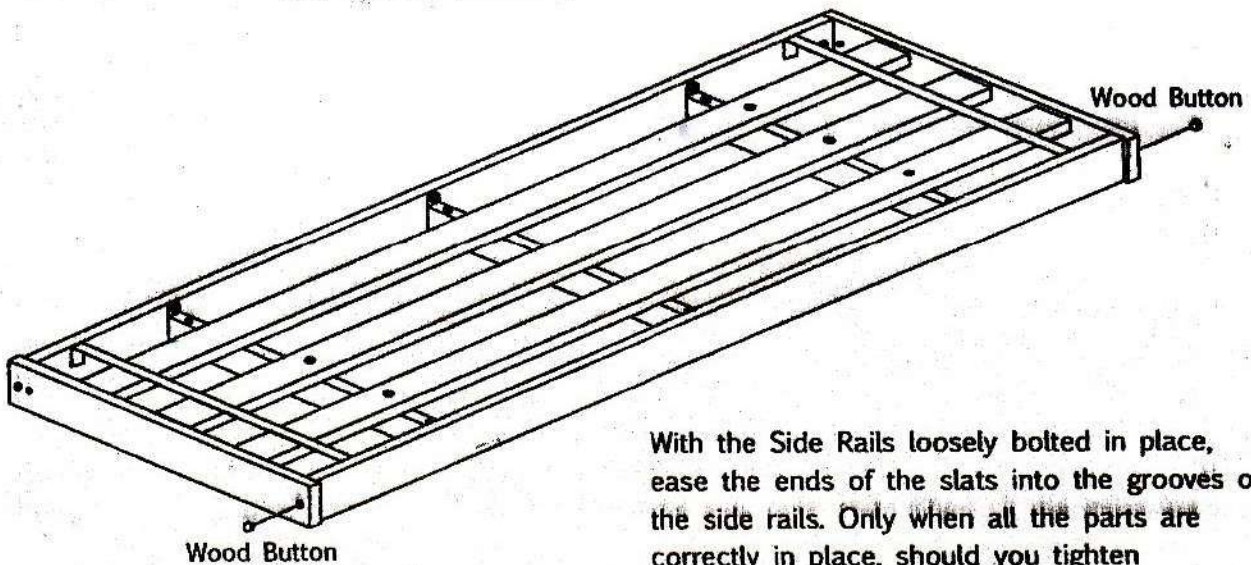
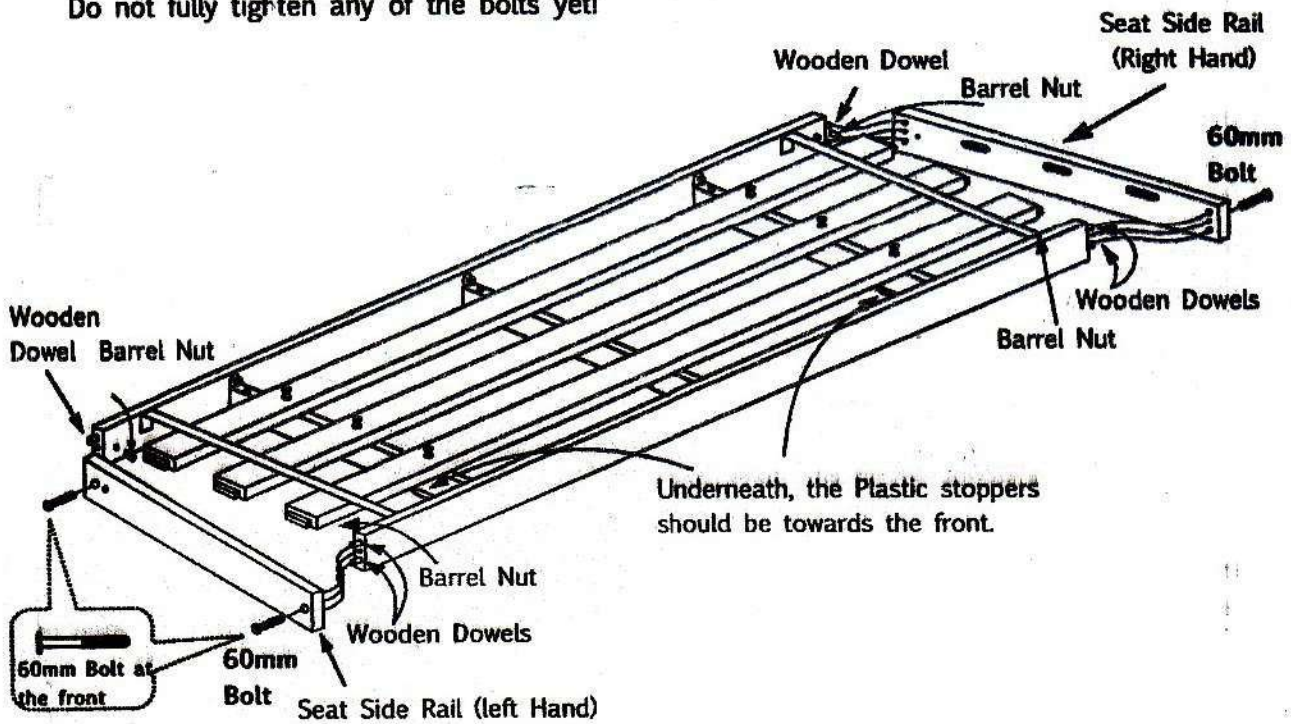
# ASSEMBLY INSTRUCTION

FULL SIZE & QUEEN SIZE

## 5A. ASSEMBLE THE SIDE RAILS TO THE SEAT DECK.

Push fit or lightly tap the Wooden dowels into the ends of the Seat deck.  
Use bolts and Barrel nuts to fix the Back Side Rails to the Seat deck.

Do not fully tighten any of the bolts yet!



With the Side Rails loosely bolted in place, ease the ends of the slats into the grooves on the side rails. Only when all the parts are correctly in place, should you tighten all the Bolts.

Finally, fit the two wood buttons.

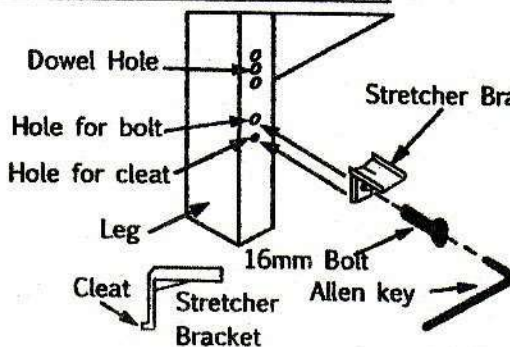
# ASSEMBLY INSTRUCTION

FULL SIZE & QUEEN SIZE

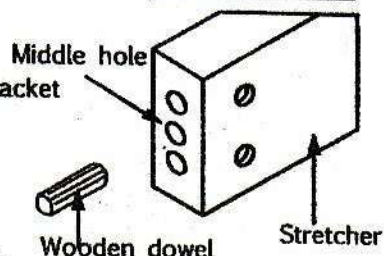
## 6A. PREPARE ARMS FOR ASSEMBLY.

### FASTEN STRETCHER BRACKETS TO ARM.

- A. Inset the Stretcher Bracket Cleat into the hole provided
- B. **IMPORTANT:** Don't fully tighten Bracket until Stretchers are all in place for easy alignment.
- C. Each arm requires two brackets, front and back.

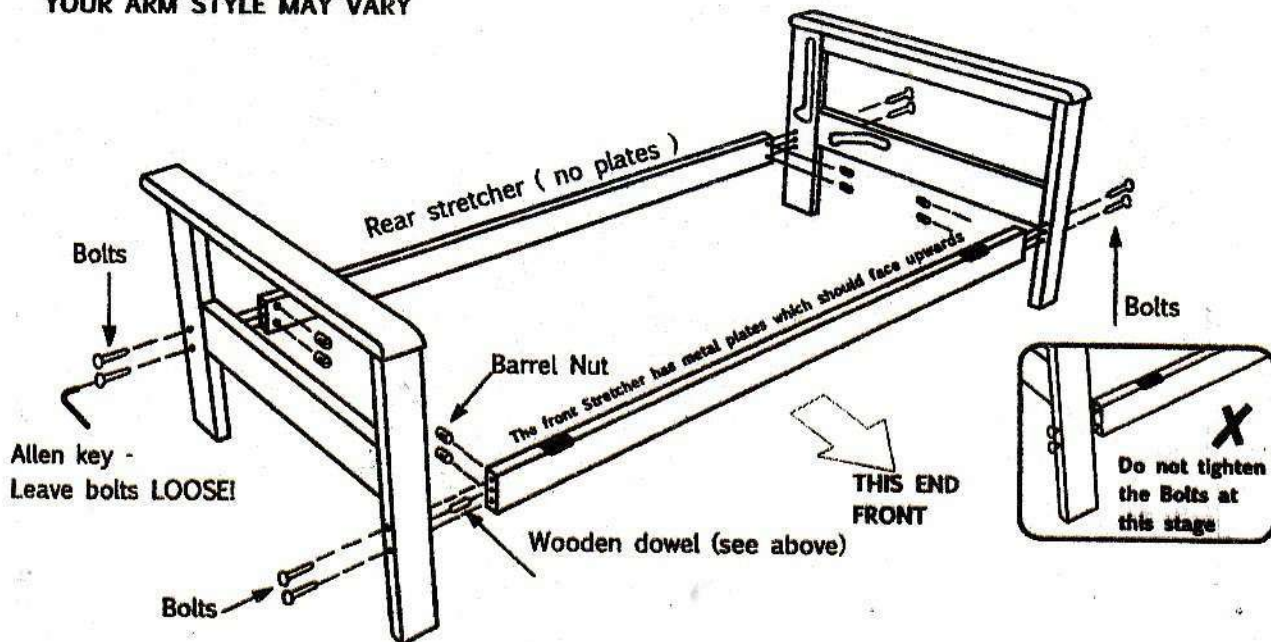


### FIT WOODEN DOWELS.



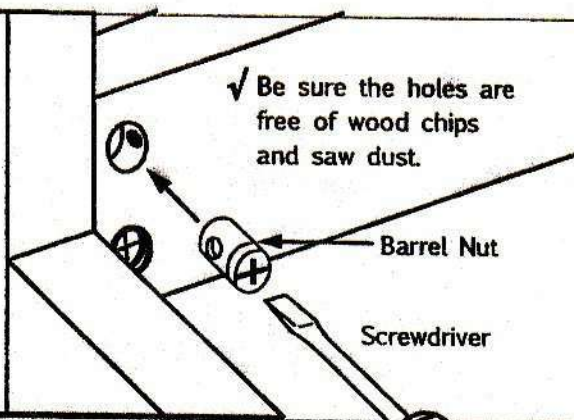
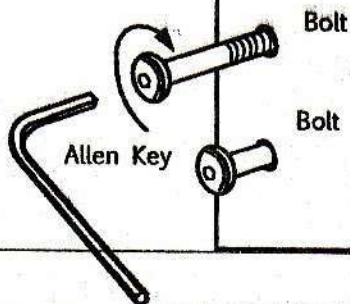
Tap dowels all the way into the middle hole, at each end of the Stretcher.

## 6B. ATTACH ARMS TO STRETCHERS. YOUR ARM STYLE MAY VARY



### BOLT AND BARREL NUT ASSEMBLY SYSTEM

- ✓ Insert Barrel Nuts as shown using a screwdriver. This will help you position the Nut in line with the Bolts
- ✓ Do not force the Bolt as you may strip the thread. Be sure the thread is properly started.

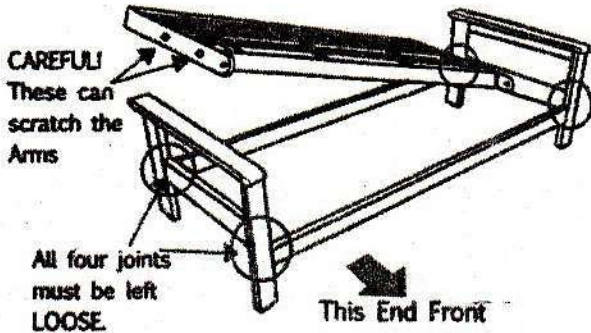


# ASSEMBLY INSTRUCTION

FULL SIZE & QUEEN SIZE

## 7A. FIT BACK DECK INTO POSITION

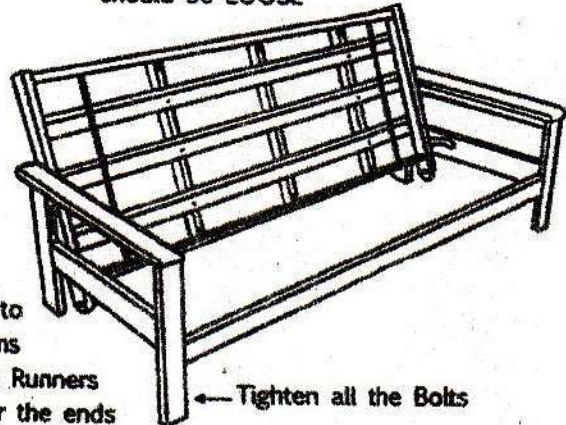
A. Insert the Back Deck lying flat. Insert one end first, then gently lower the other end into position.



Your arm style may vary



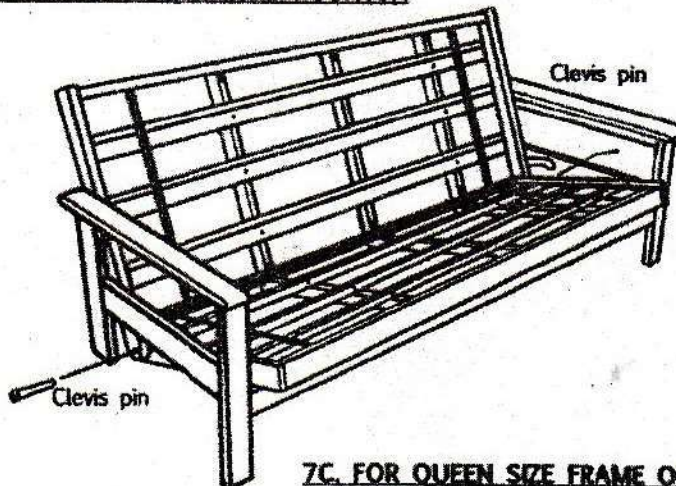
✓ Remember that the Bolts on the Arms should be LOOSE



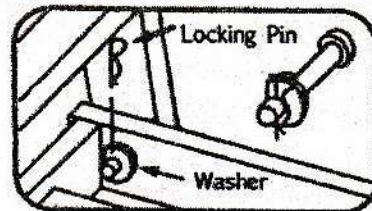
B. When you have the Back deck fitted lying flat, tighten all the Bolts. From the back, lift the Back Deck to upright as illustrated.

⚠ Be careful not to scratch the Arms with the Plastic Runners when you lower the ends of the Back Deck.

## 7B. FIT SEAT DECK INTO POSITION

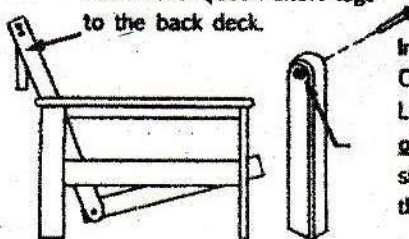


Fit the seat deck between the Arms and into the Back Deck as shown. Use the Clevis Pins to connect the two decks. Secure with a Washer and Locking Pin.



## 7C. FOR QUEEN SIZE FRAME ONLY: ATTACH SHORT LEGS

Using the extra 50mm bolts attach the Queen short legs to the back deck.



Important Note:  
Orientation of the Queen Short Leg. Note that the exposed part of the metal nut in the leg should be oriented away from the bolt for proper assembly.

