

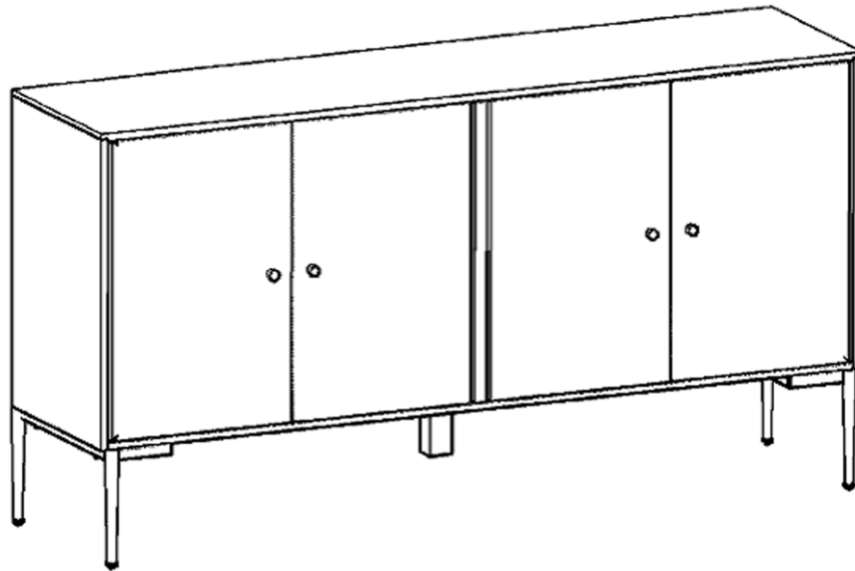
MOE'S

home collection

ASSEMBLY INSTRUCTIONS.

ARTISTS SIDEBOARD




PP-1003-02








THANKS YOU FOR YOUR PURCHASE

PARTS AND HARDWARE.

PARTS LIST

NO.	DESCRIPTION	IMAGE	QTY
P2	BODY		1
P2	LEGS		2
P3	MIDDLE LEG		1

HARDWARE LIST

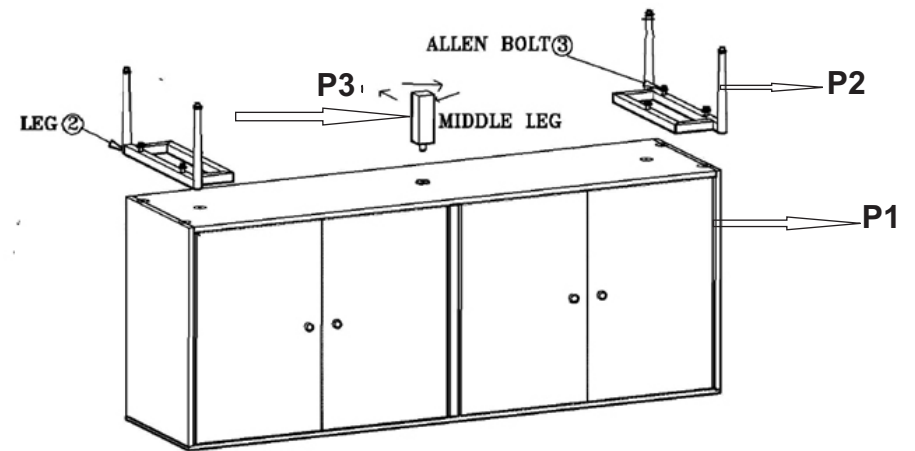
NO	DESCRIPTION	IMAGE	QTY.
H1	CNNGP'DQNV'FK'8Z57'O O +		6
H2	CNNGP'Y CUI GT'FK'38Z8Z3'O O +		6
H3	CNNGP'MGI '7Z: 7'O O +		1
H4	CFLWVGT'37Z34Z8'O O +		6
H5	ANTI TIPPING KIT		1 SET

NOTES.

Thank you for purchasing this quality product! Be sure to check all packing material carefully for small part that may have come loose inside the carton during shipping.

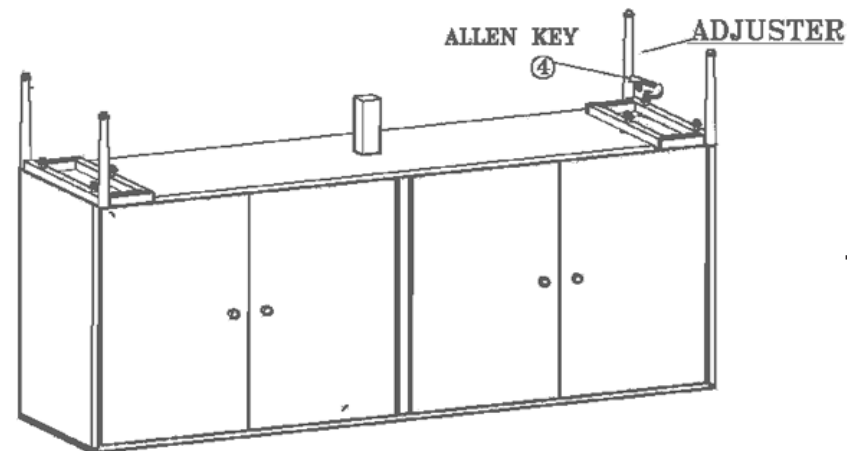
CAUTION: The item is heavy, assembly should be performed by two people.

STEP 1.



PLACE THE LEGS ON THE MATCHING HOLES

STEP 2.



USE THE ALLEN KEY TO SCREW THE ALLEN BOLT.

