

PHOENIX BUNK BED ASSEMBLY

STEP #1 (SEE #1, ILLUSTRATION)

INSERT DOWEL IN ENDS OF SIDE RAILS, ENDS OF GUARD RAILS AND ENDS OF LADDER STEPS.

STEP #2 (SEE #2 ILLUSTRATION)

INSERT DOWELS INTO SHORT POSTS FOR THE GUARD RAILS. ATTACH CENTER BOARD IN THE CENTER OF THE LONG GUARD RAIL WITH PHILLIPS SCREWS. COMPLETELY TIGHTEN ALL BOLTS.

STEP #3 (SEE #3 ILLUSTRATION)

INSERT LADDER STEPS WITH DOWELS INTO THE LADDER SIDE BOARDS AND COMPLETELY TIGHTEN THE BOLTS. ATTACH THE TWO LADDER HOOKS AT TOP OF LADDER AND TIGHTEN THE PHILLIPS SCREWS.

STEP #4 (SEE #4, 5 ILLUSTRATION)

INSERT THE SIDE RAIL WITH DOWEL INTO THE TALL HEAD BOARD POST. COMPLETELY TIGHTEN BOLT WITH CRESCENT NUTS. LAY OUT THE SLAT KIT ON TOP OF THE CLEATS ON BOTH SIDE RAILS, WITH CLOTH SIDE DOWN. PLACE BOTH END SLATS AT THE BEGINNING OF THE CLEAT. SPACE REMAINING SLATS EVENLY WITH NO MORE THAN 3.25" SPACE AT ANY POINT. ATTACH THE FIRST, LAST AND MIDDLE SLATS WITH THREE SCREWS ON EACH SIDE.

STEP #6 (SEE #6, 7 ILLUSTRATION)

INSERT THE SIDE RAIL WITH DOWEL INTO THE SHORT FOOT BOARD POST, COMPLETELY TIGHTEN. LAY OUT THE SLAT KIT THE SAME WAY AS IN STEP #4, WITH NO MORE THAN 3.25" SPACE AT ANY POINT.

STEP #7 (SEE #8, 9 ILLUSTRATION)

ON THE SIDE OF THE BED THAT WILL BE AGAINST THE WALL INSERT THE LONG GUARD RAIL. SCREW IN BOTH POSTS WITH PHILLIPS SCREWS ON THE INSIDE OF THE BUNK, COMPLETELY TIGHTEN. SCREW IN THE CENTER BOARD ON THE OUTSIDE OF THE BUNK. THE SHORT GUARD RAIL MUST GO IN THE CENTER OF THE SIDE RAIL WITH EQUAL AIR SPACE ON THE LEFT AND RIGHT OF THE SHORT GUARD RAIL. INSERT AND TIGHTEN THE PHILLIPS SCREWS ON BOTH POSTS OF THE SHORT GUARD RAIL, ON THE INSIDE SURFACE OF THE BUNK. INSERT THE FOUR LONG DOWELS INTO THE FOUR HOLES IN THE HEADBOARD POSTS. USING TWO PEOPLE, LIFT THE FOOT BOARD SECTION AND PLACE IT ON TOP OF THE HEADBOARD SECTION.

STEP #10 (SEE #10 ILLUSTRATION)

DECIDE WHICH SIDE OF THE SHORT GUARD RAIL IS MOST CONVENIENT FOR THE LADDER AND ATTACH WITH THE TWO SHORT PHILLIPS SCREWS, COMPLETELY TIGHTEN.

SIZE OF MATTRESS

THIS BED IS DESIGNED TO USE A MATTRESS (74" TO 75") LONG, AND (37 -1/2" TO 38 -1/2") IN WIDTH, AND THE ENCLOSED SLAT KIT SYSTEM. THE TOTAL THICKNESS OF MATTRESS AND FOUNDATION MUST NOT EXCEED 9 1/4". NOTE: THERE MUST BE AT LEAST 5" FROM MATTRESS SLEEPING SURFACE TO TOP EDGE OF GUARDRAIL.

REPLACEMENT PARTS

REPLACEMENT PARTS, INCLUDING ADDITIONAL GUARDRAILS, MAY BE OBTAINED FROM ANY OF OUR INNOVATIONS DEALERS.

SAFETY WARNINGS

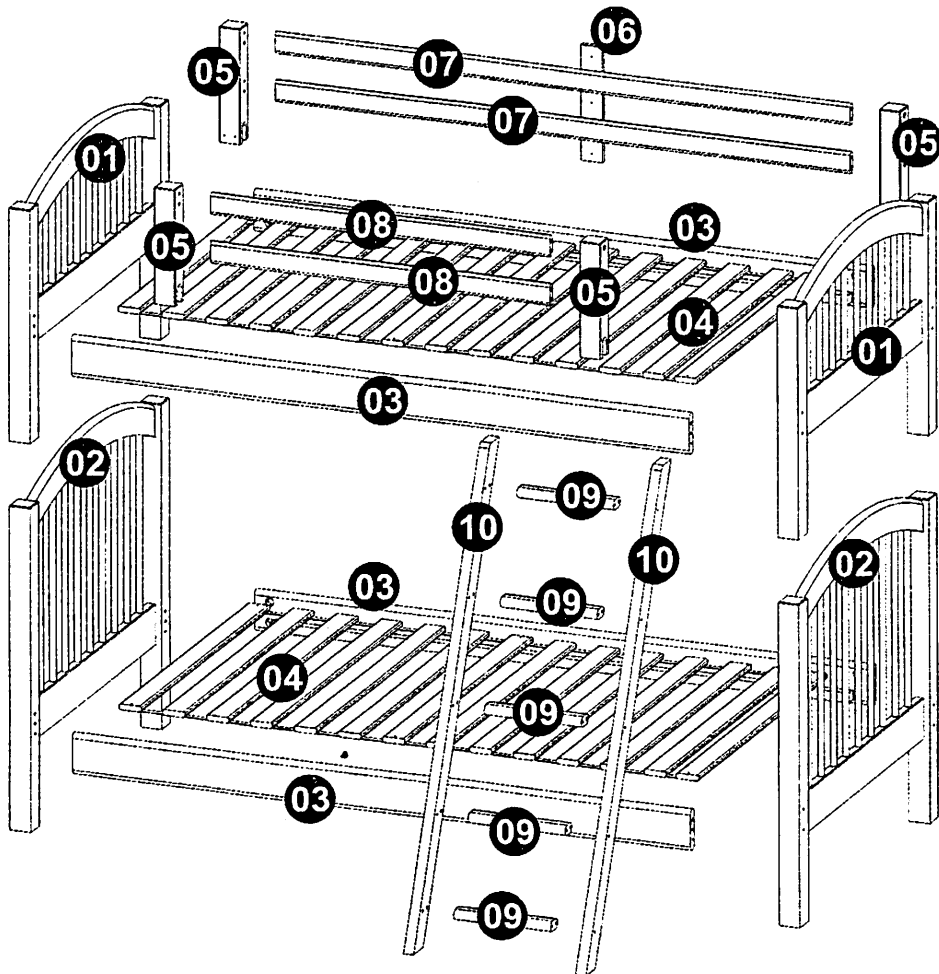
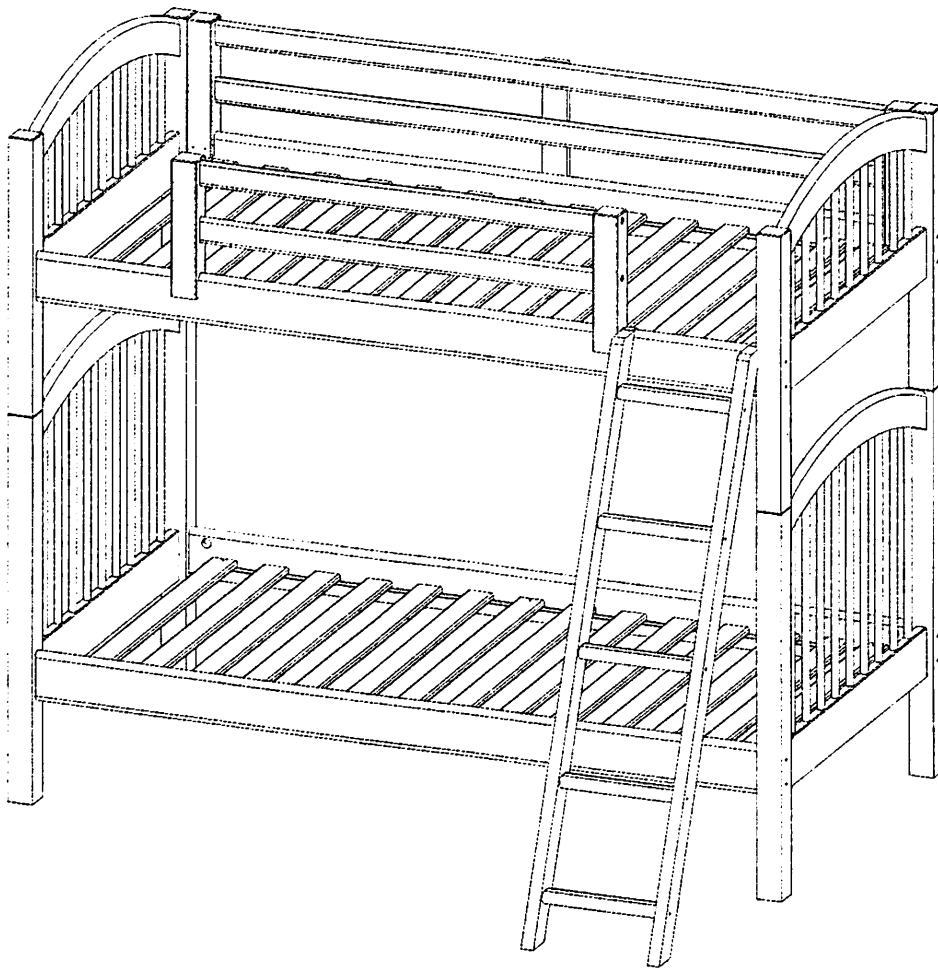
1. FOLLOW THE INFORMATION ON THE WARNINGS APPEARING ON THE UPPER BUNK END STRUCTURE AND ON THE CARTON. DO NOT REMOVE WARNING LABEL FROM BED.
2. ALWAYS USE THE RECOMMENDED SIZE MATTRESS OR MATTRESS SUPPORT, OR BOTH, TO HELP PREVENT THE LIKELIHOOD OF ENTRAPMENT OR FALLS.
3. SURFACE OF MATTRESS MUST BE AT LEAST 5 INCHES BELOW THE UPPER EDGE OF GUARDRAILS.
4. DO NOT ALLOW CHILDREN UNDER 6 YEARS OF AGE TO USE THE UPPER BUNK.
5. PERIODICALLY CHECK AND ENSURE THAT THE GUARD RAIL, LADDER, AND OTHER COMPONENTS ARE IN THEIR PROPER POSITION, FREE FROM DAMAGE, AND THAT ALL CONNECTORS ARE TIGHT.
6. DO NOT ALLOW HORSEPLAY ON OR UNDER THE BED AND PROHIBIT JUMPING ON THE BED.
7. ALWAYS USE THE LADDER FOR ENTERING OR LEAVING THE UPPER BUNK.
8. DO NOT USE SUBSTITUTE PARTS. CONTACT MANUFACTURER OR DEALER FOR REPLACEMENT PARTS.
9. USE OF A NIGHT LIGHT MAY PROVIDE ADDED SAFETY PRECAUTION FOR A CHILD USING THE UPPER BUNK.
10. ALWAYS USE GUARD RAILS ON BOTH LONG SIDES OF THE UPPER BUNK.
11. IF THE BUNK BED WILL BE PLACED NEXT TO A WALL, THE GUARD RAIL THAT RUNS THE FULL LENGTH OF THE BED SHOULD BE PLACED AGAINST THE WALL TO PREVENT ENTRAPMENT BETWEEN THE BED AND THE WALL.
12. PROHIBIT MORE THAN ONE PERSON ON THE UPPER BUNK.
13. THE USE OF WATER OR SLEEP FLOTATION MATTRESSES IS PROHIBITED.
14. KEEP THESE INSTRUCTIONS FOR FUTURE REFERENCE.

STRANGULATION HAZARD – NEVER ATTACH OR HANG ITEMS TO ANY PART OF THE BUNK BED THAT ARE NOT DESIGNED FOR USE WITH THE BED: FOR EXAMPLE, BUT NOT LIMITED TO HOOKS, BELTS AND JUMP ROPES.




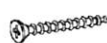

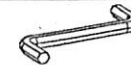

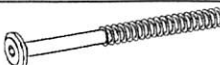

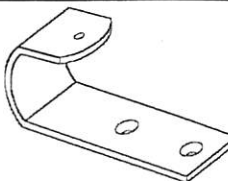
INNOVATIONS

P.O BOX 2079

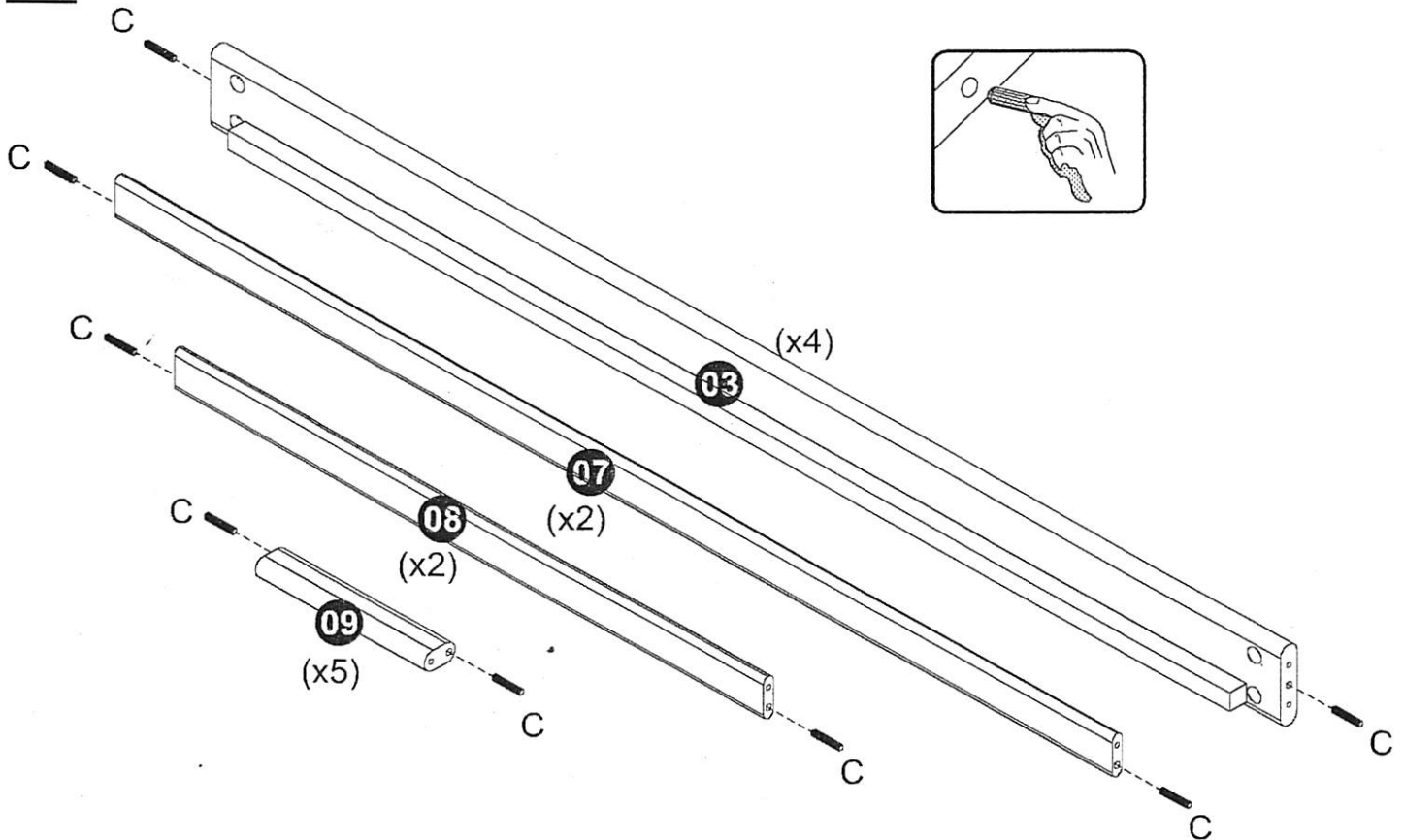
HARTFORD, CT 06145



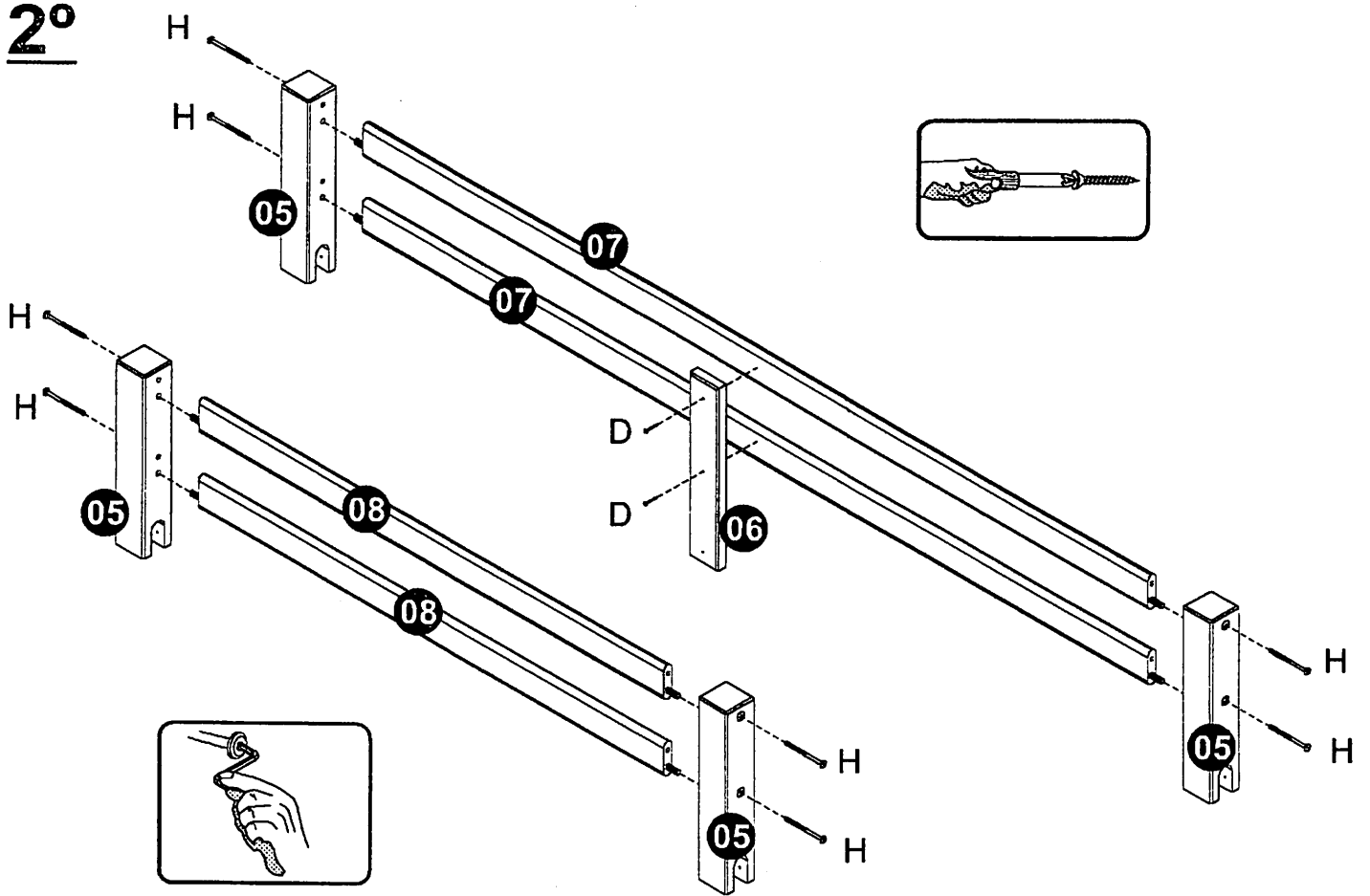
HARDWARE LIST PHOENIX

A	 1/4 x 110	16
B		16
C	 10x40	26
D	 3,5x30	23
E	 3,5x16	06
F		01
G	 19X82	04
H	 7x90	08
I	 7x50	10
J		02

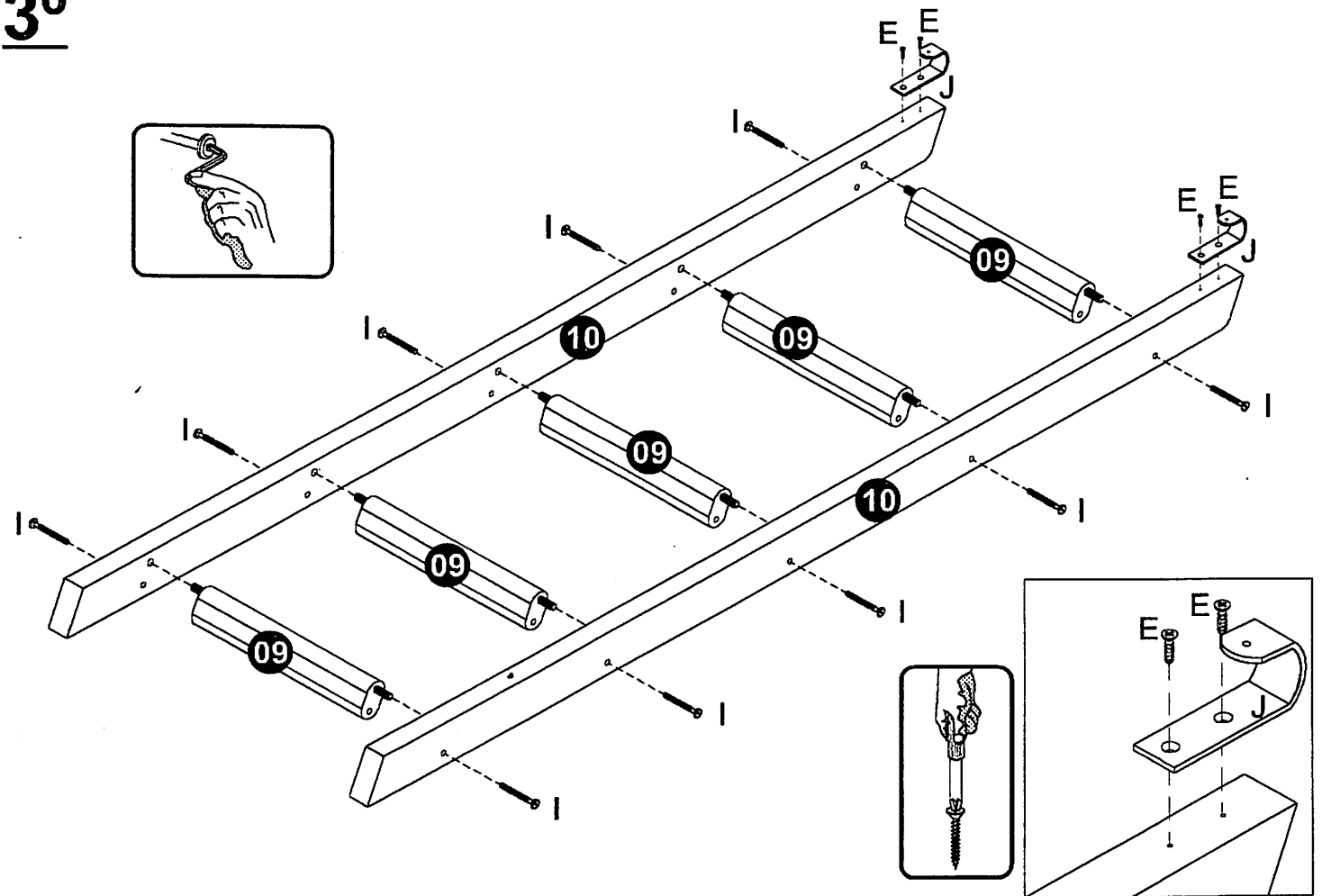
1°



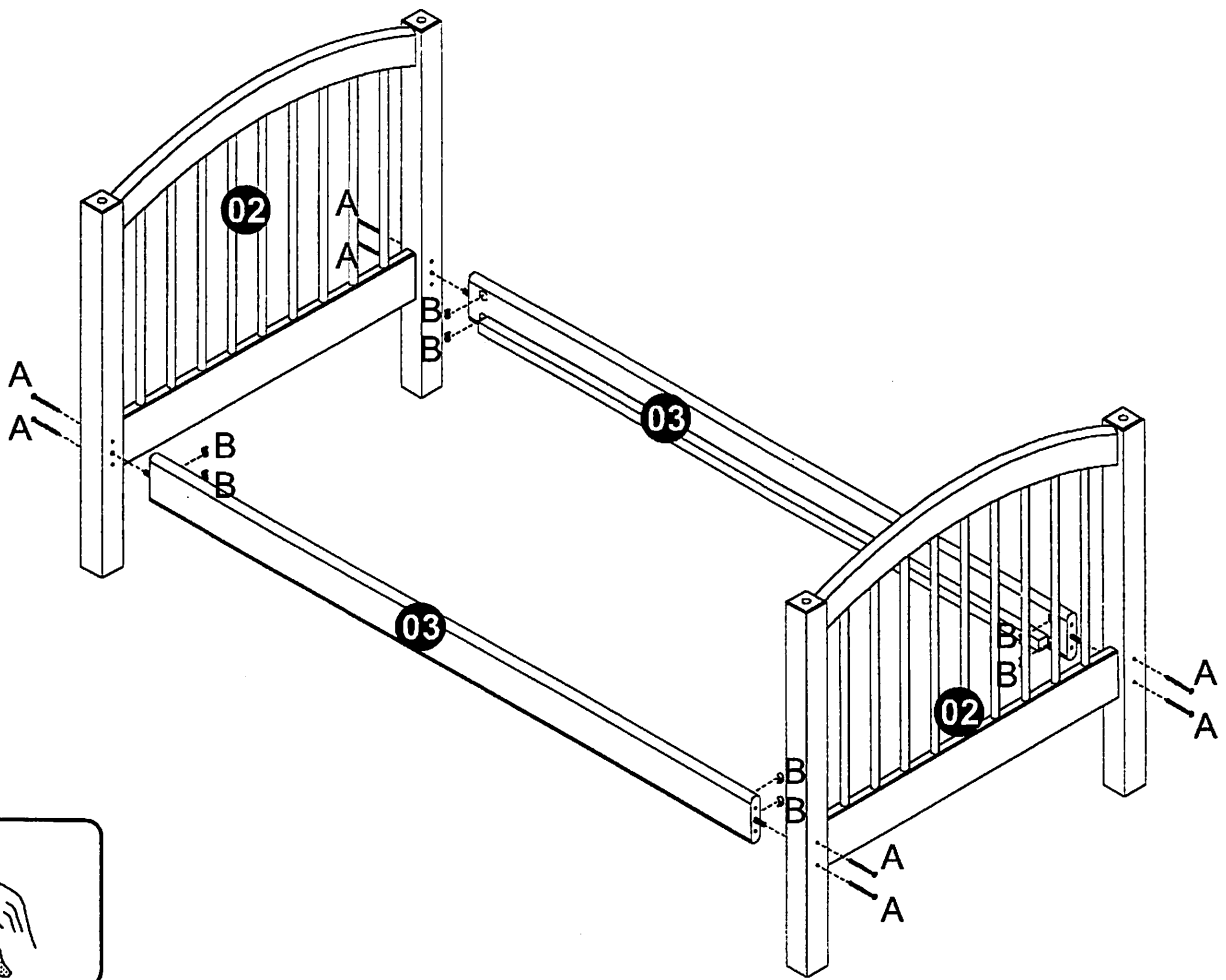
2°



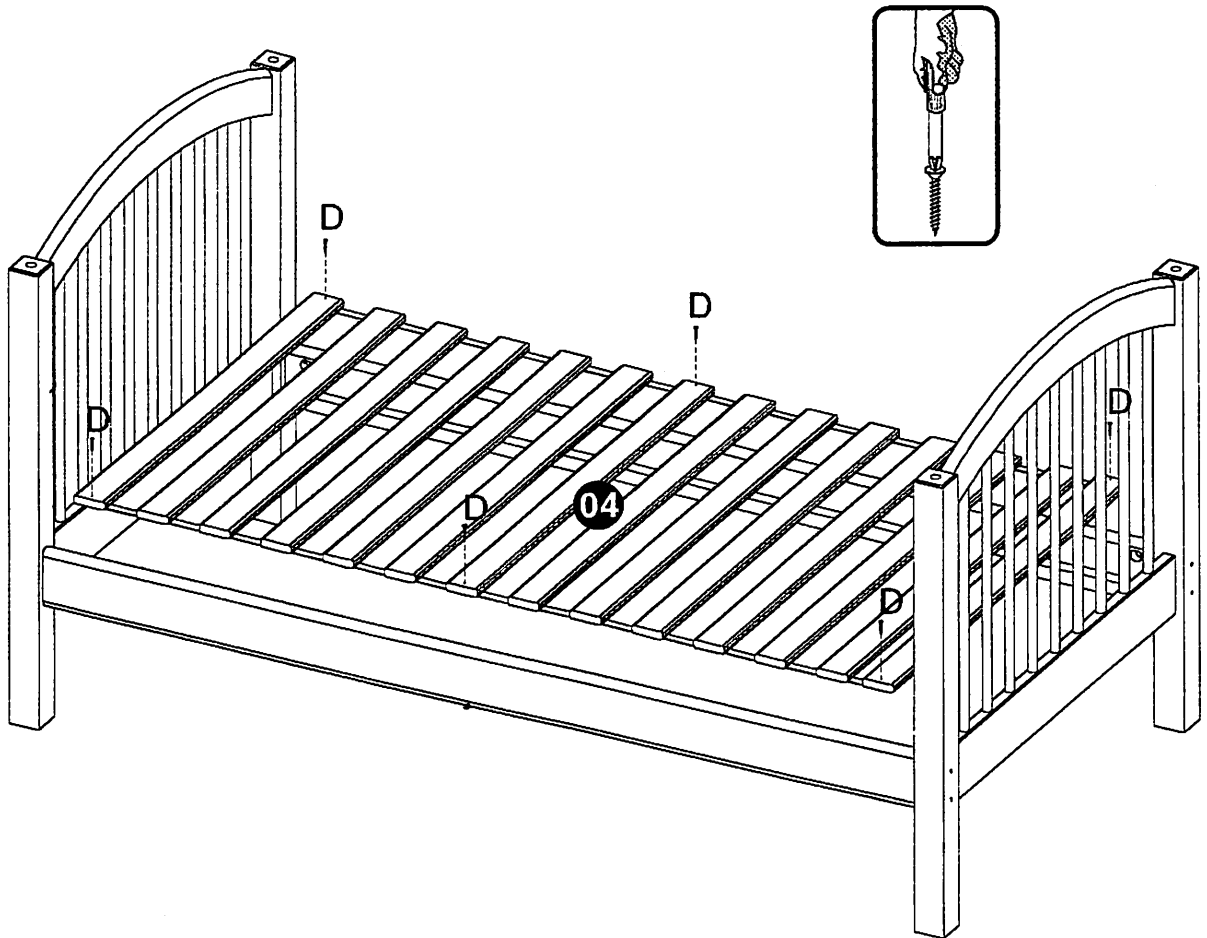
3°



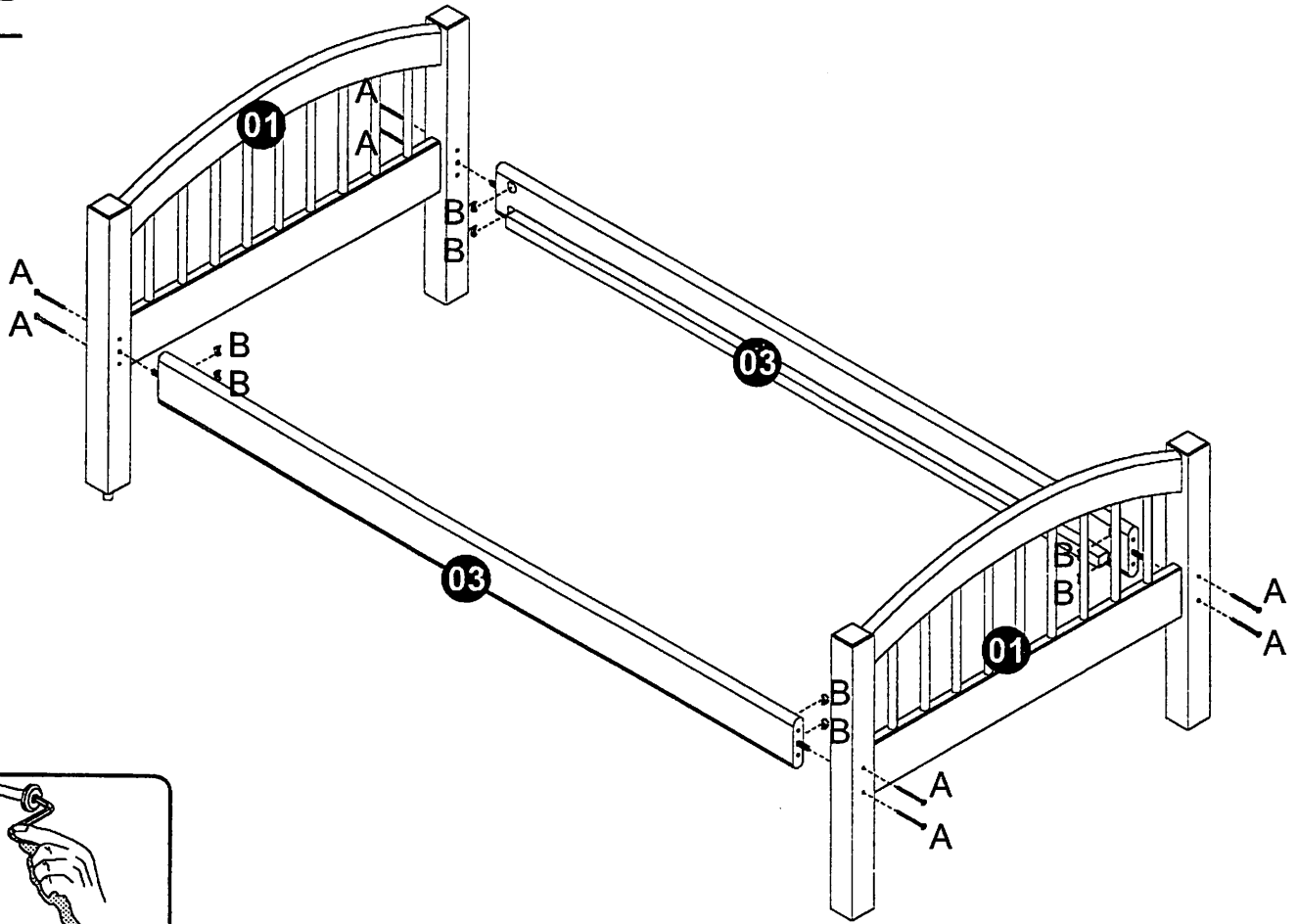
4°



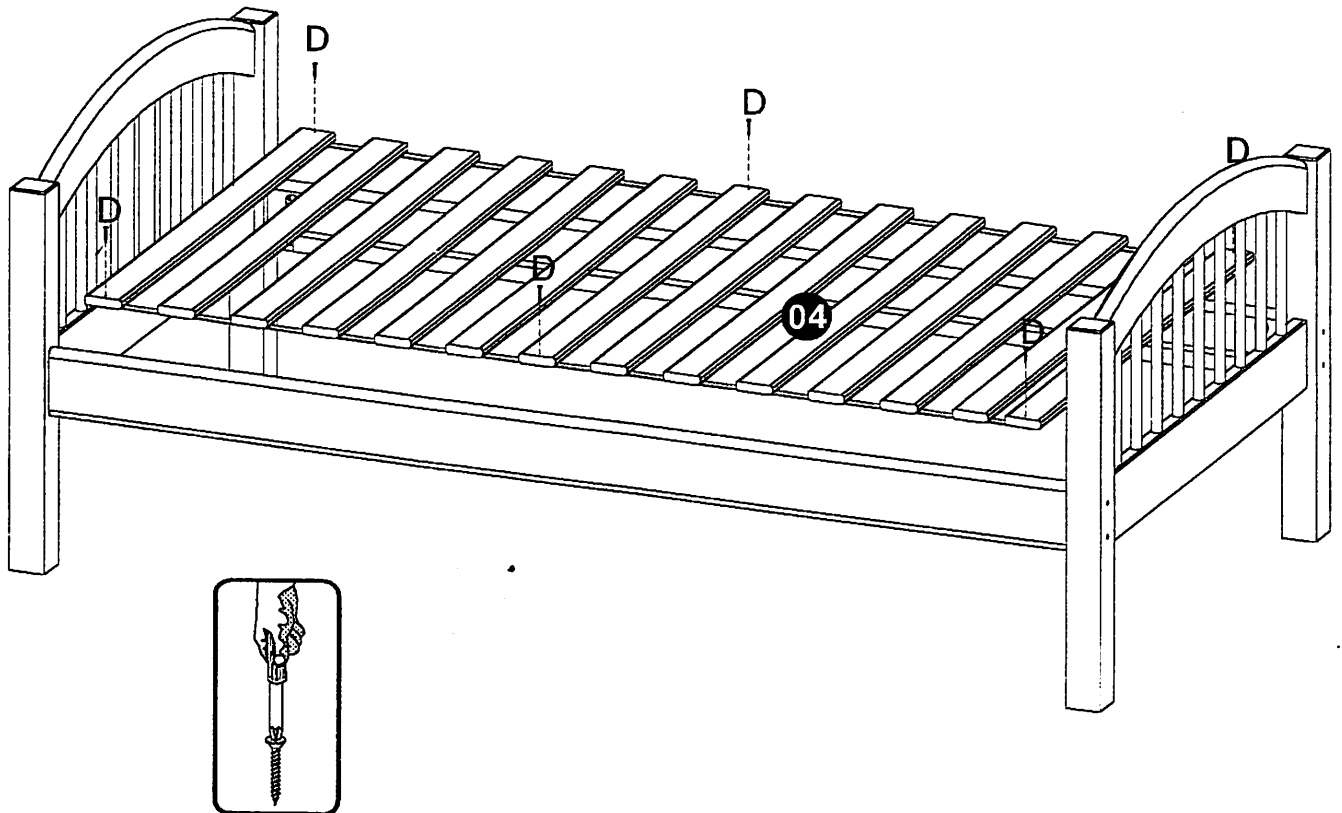
5°



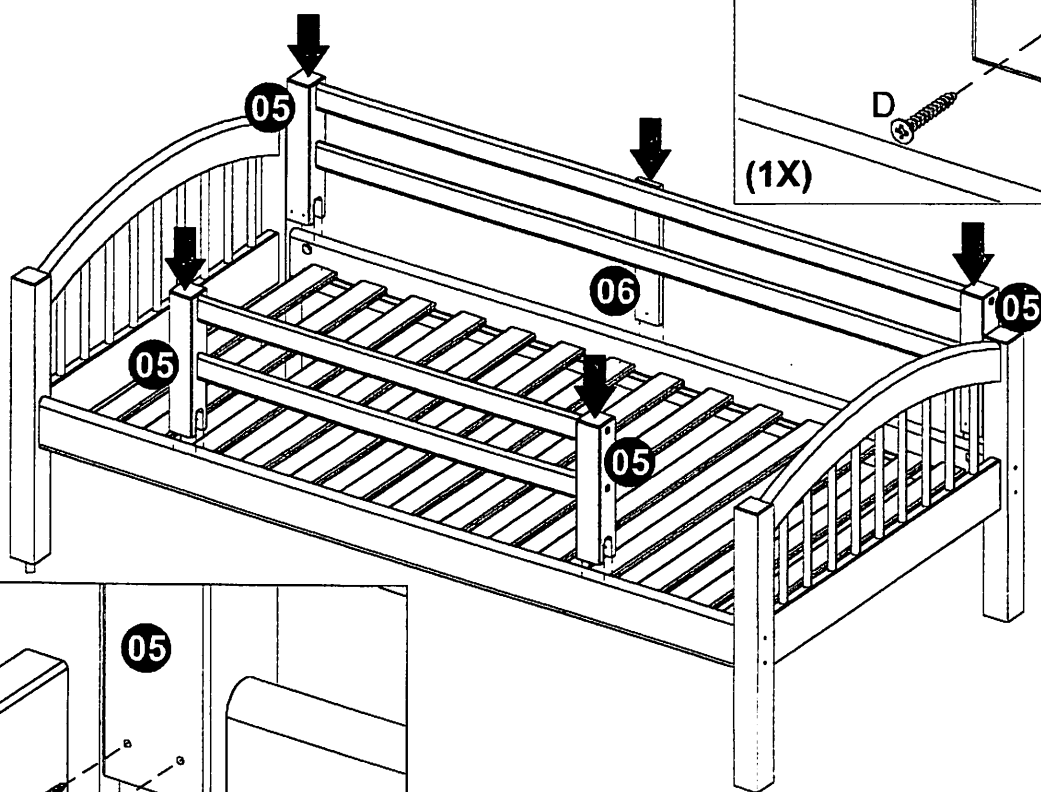
6°



7°



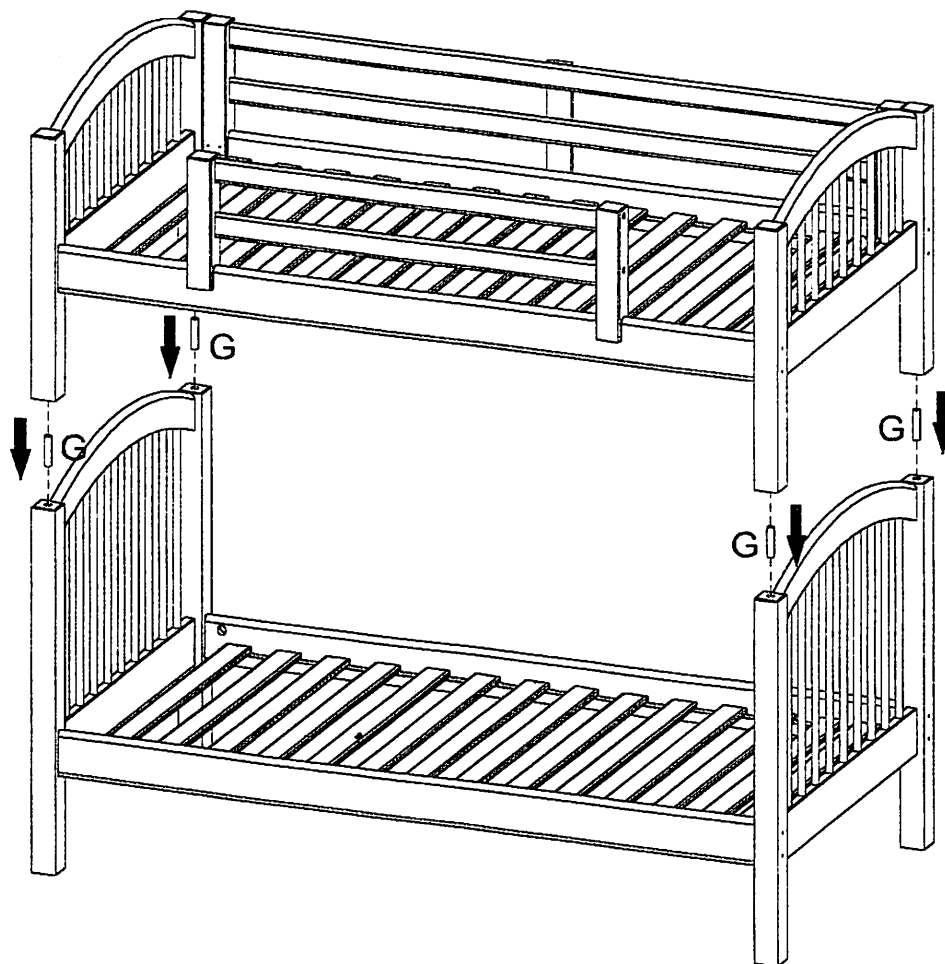
8°



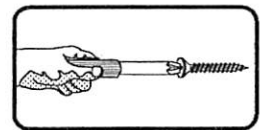
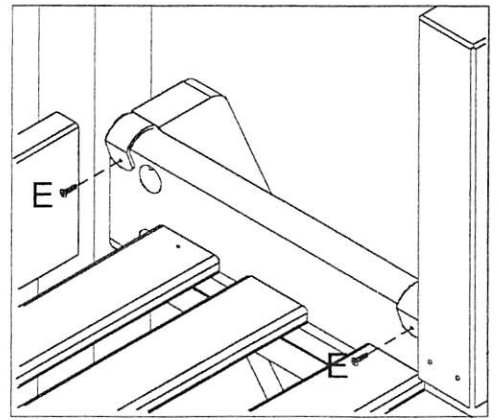
(1X)

(4X)

9°



10°



IF YOU PURCHASED THE FUTON OPTION FOR THE LOWER BED

- INSTALL HINGE FOR FUTON MECHANISM, WITH BOLTS, WASHER AND NUTS FOUND IN FUTON BOX, TO BOTTOM BOARD OF EACH END STRUCTURE. THE SPRING GOES TO THE REAR OF THE BED. PLACE WASHER BETWEEN BOLT AND WOOD ON OUTER SURFACE. USE CAUTION.
- ATTACH BACK DECK TO HINGE WITH NUT, WASHER AND BOLT, PLACE WASHER BETWEEN BOLT HEAD AND TUBULAR METAL. REPEAT FOR SEAT DECK, (DECK WITH FRONT TABS). WHEN ALL BOLTS ARE INSTALLED, THAN FULLY TIGHTEN ALL BOLTS.

OPTIONAL FUTON BODY

