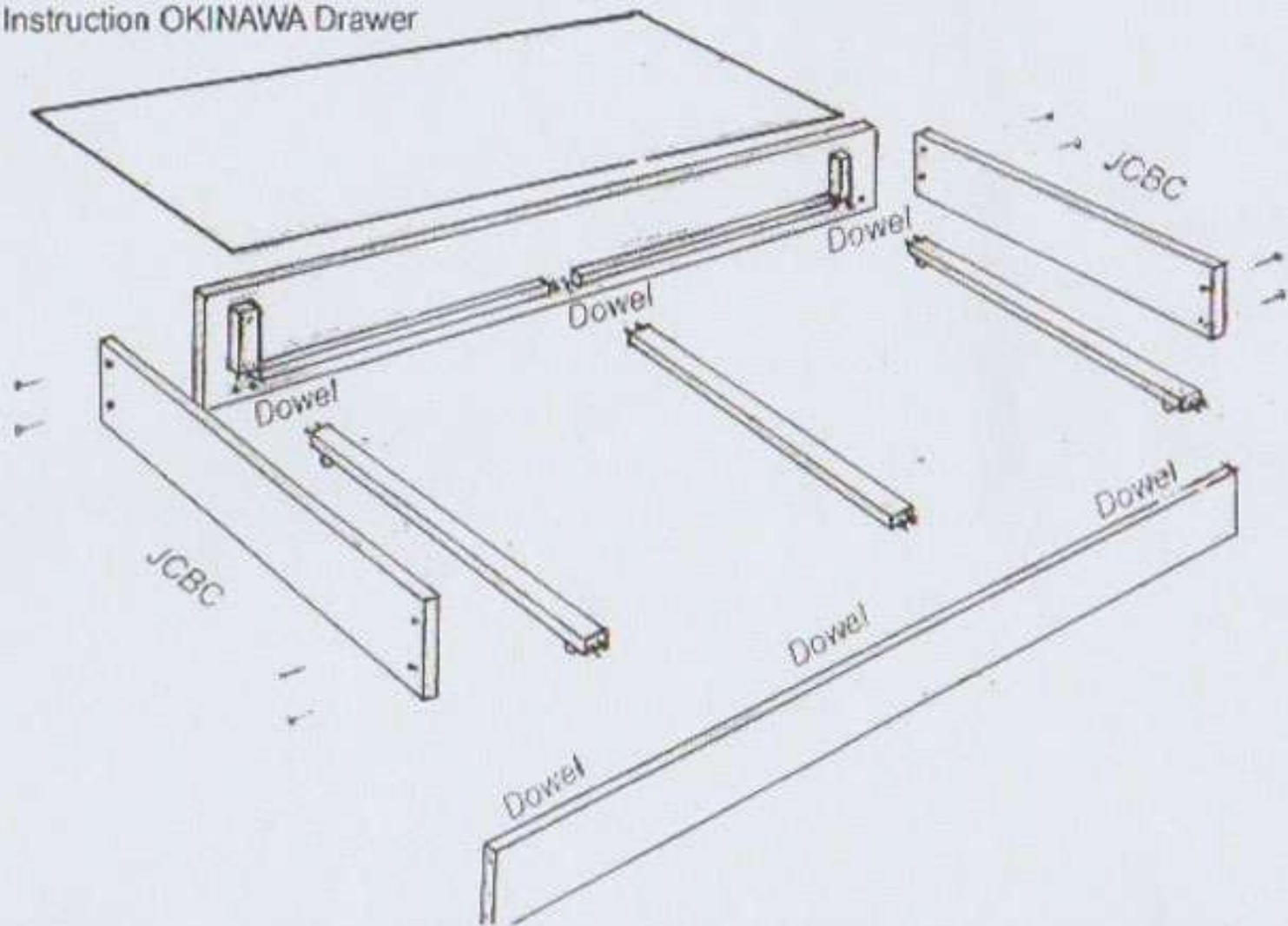


Assembling Instruction OKINAWA Drawer



Hardware :

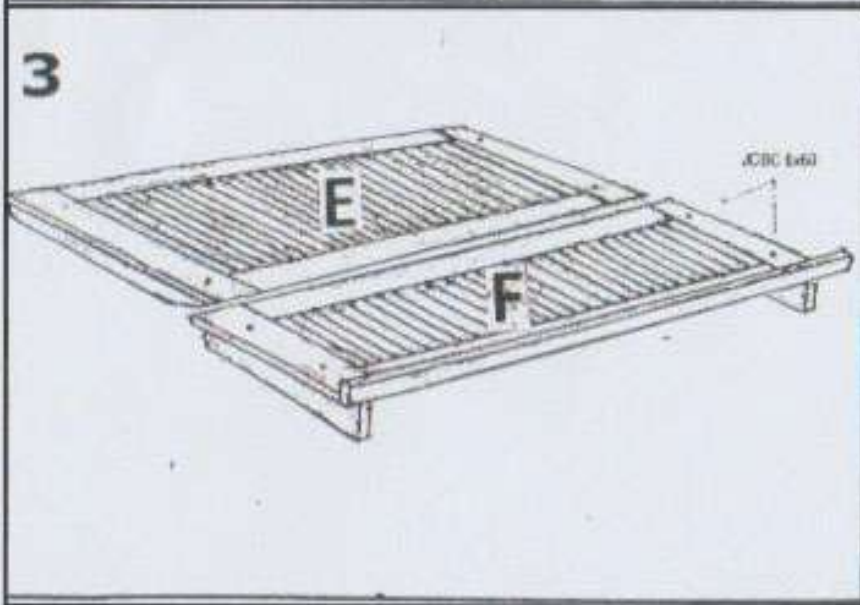
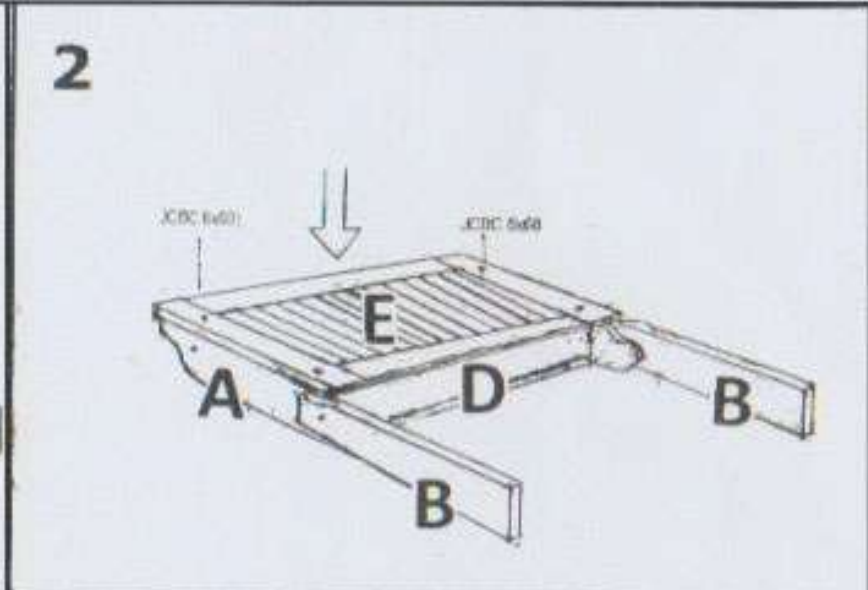
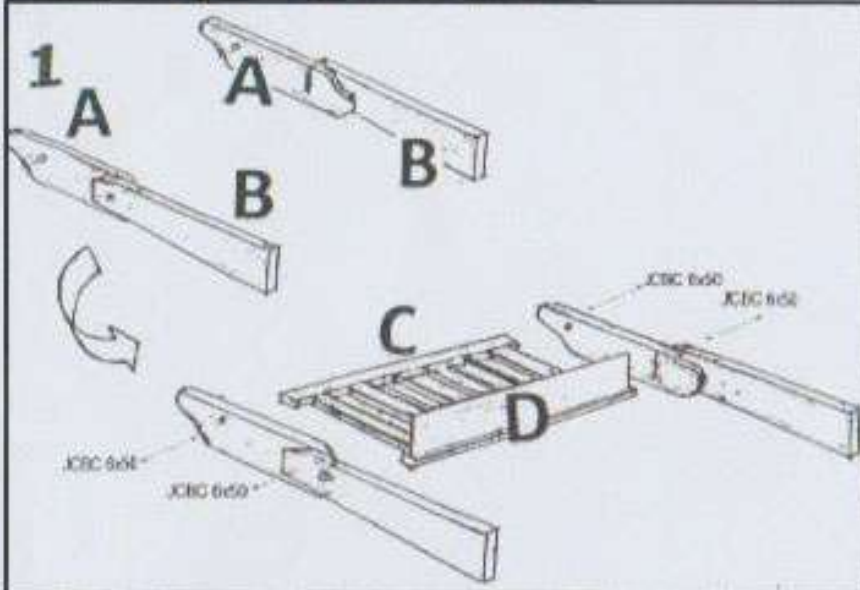


Wooden Dowel Ø8 x 30 : 12 pcs



JCBC 6 x 35 : 8 pcs

Assembling Instruction OKINAWA



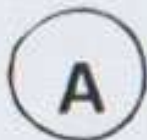
Assembling Instruction OKINAWA

Part :

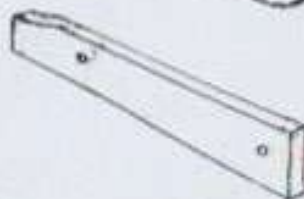
1.



2X (R&L)



2.



2X (R&L)



3.



1X



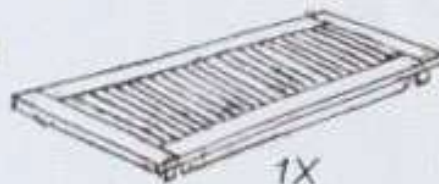
4.



1X



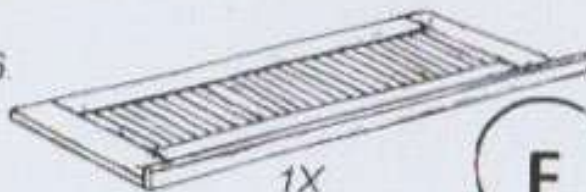
5.



1X



6.



1X



7.



2X



Hardware :



JCBC 6x50 = 8 pc



JCBC 6x60 = 8 pc

L Key 6 x 70 = 1

Okinawa Assembling Instruction

Step 1. Connect components A and B, with B on the outside as shown in Diagram 1, using JCBC 6x50 and L Key (Allen Wrench).

Step 2. Connect component C with A, matching the groove accordingly to fit component D.

Step 3. Place component D into the groove of component A,C.

Step 4. Place component E on top of component A,C,D that was completed in Step 3 (Diagram 2) using 4 piece of JCBC 6x60 using the L Key.

Step 5. Place component F on top of component B,B using 4 pieces of JCBC 6 x 60 using the L Key.

Step 6. Connect component G on opposite ends of the body frame onto component A using 2 pieces of JCBC 6 x 50 and L key (Diagram 4), adjust tightness to allow component G to swing freely from locking position.

Step 7. Assemble the Drawer based on the attached diagram.

Step 8. Place the Drawer under the Seat Deck component B,F.