



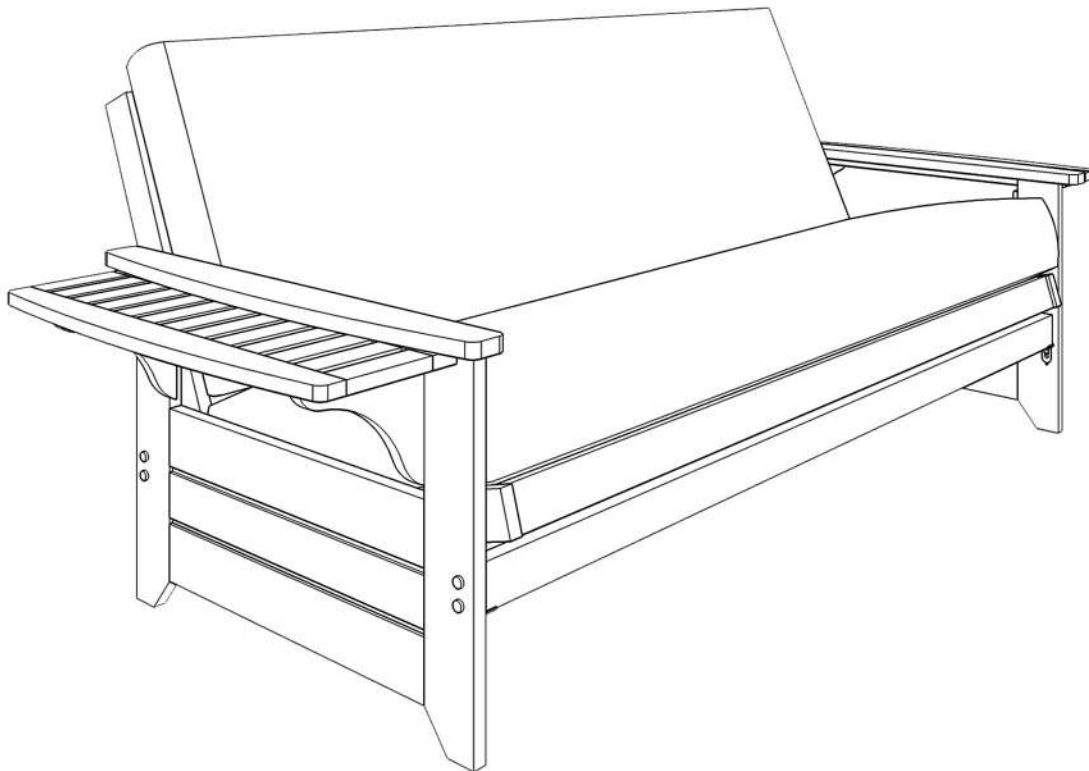
DO NOT RETURN TO RETAILER  
IF YOU HAVE ANY  
QUESTIONS OR CONCERNS  
PLEASE CALL  
KODIAK FURNITURE  
AT 651-641-0281  
MONDAY- FRIDAY 8AM TO 3:30 PM CST

OR EMAIL TO  
[info@kodiakfurniture.com](mailto:info@kodiakfurniture.com)  
OR VISIT OUR WEBSITE AT  
[www.kodiakfurniture.com](http://www.kodiakfurniture.com)

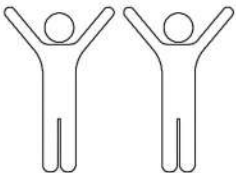


# Futon Frame

## Assembly Instructions



Required:



Tools Needed:



Allen Key provided

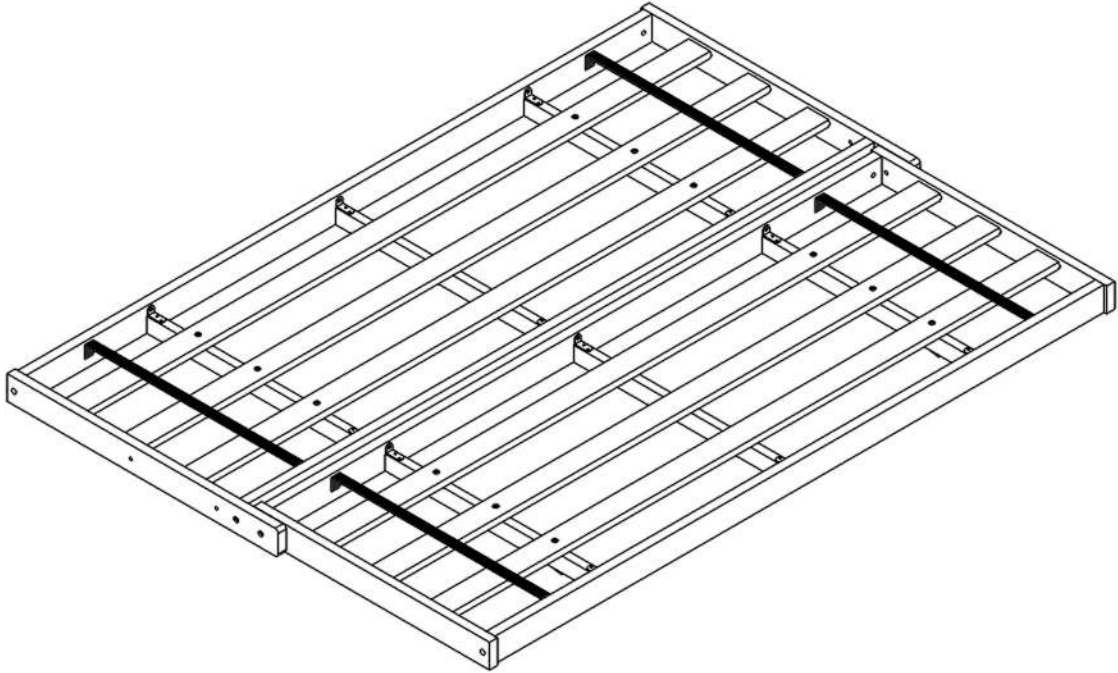
Please cover floor with corrugated cardboard / paper / carpet  
to avoid scratches / damages to floor

Video instructions  
@  
[www.kodiakfurniture.com](http://www.kodiakfurniture.com)

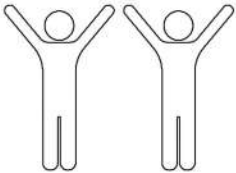


# Body

## Assembly Instructions



Recommended:



Tools Needed:



Allen Key provided

Please cover floor with corrugated cardboard / paper / carpet  
to avoid scratches / damages to floor

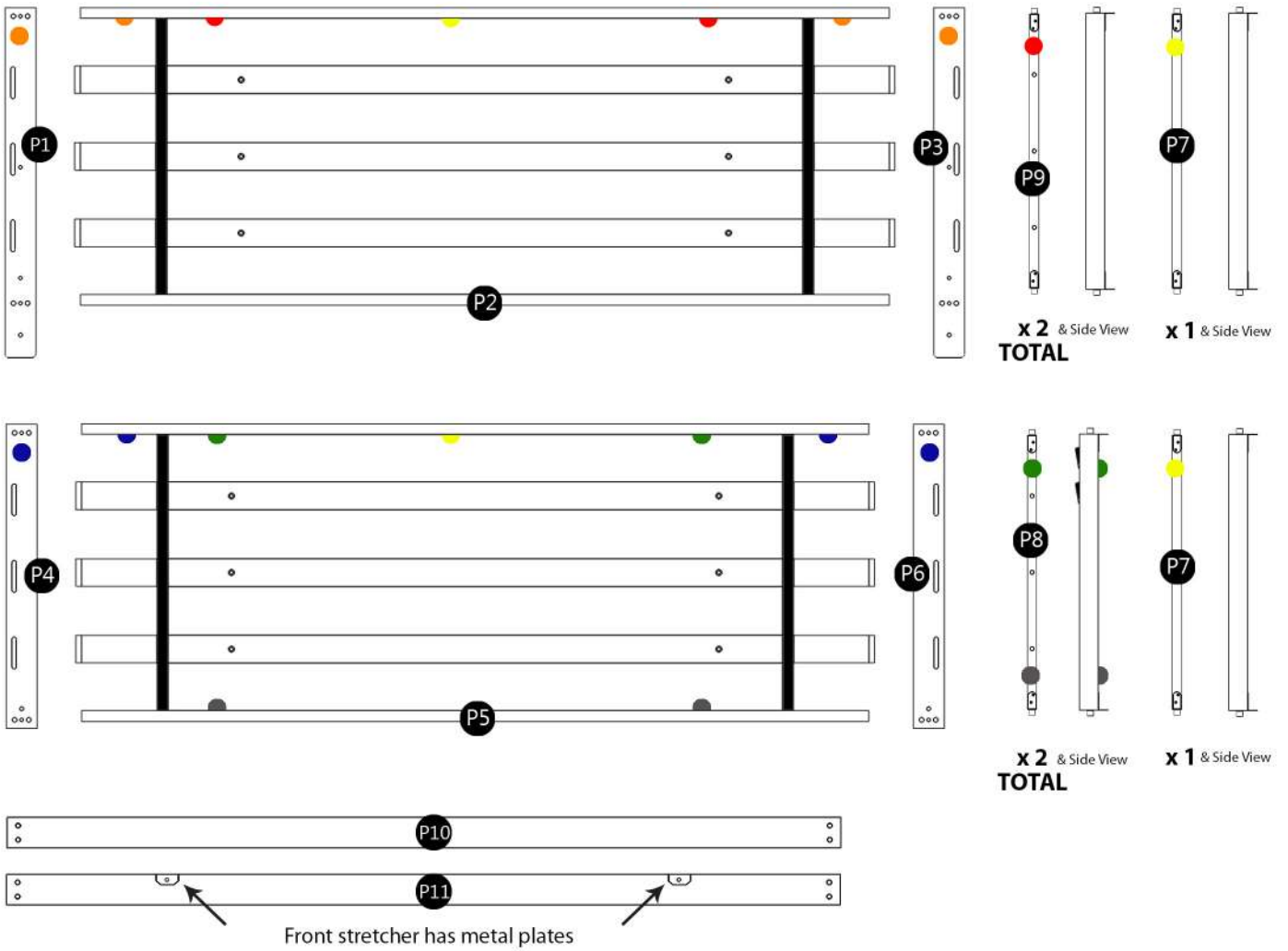
# Assembly Checklist

Please make sure that you have all of the below items before you start. If any are missing, please contact us for a replacement.



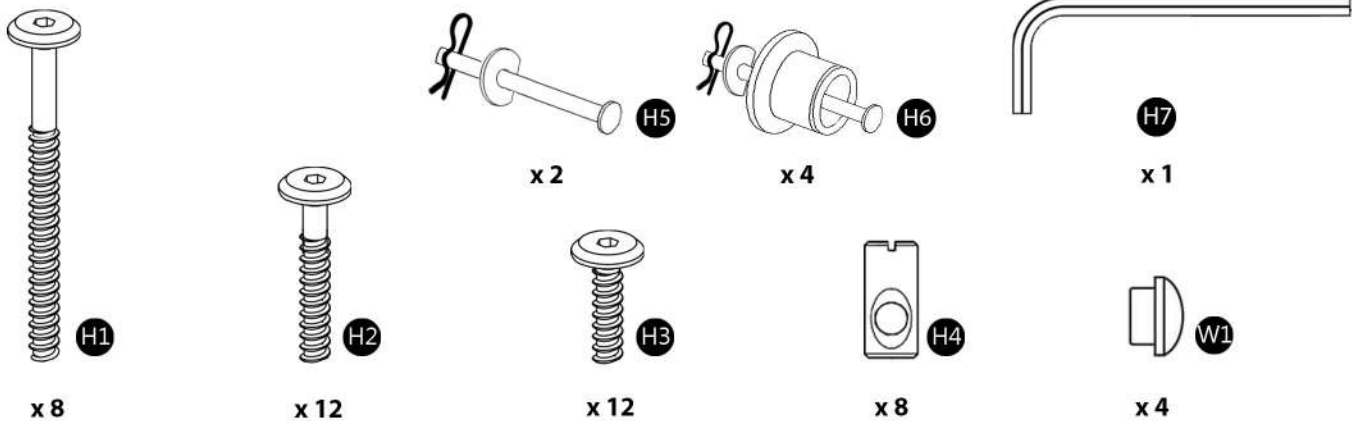
## Parts supplied for assembly

Box A



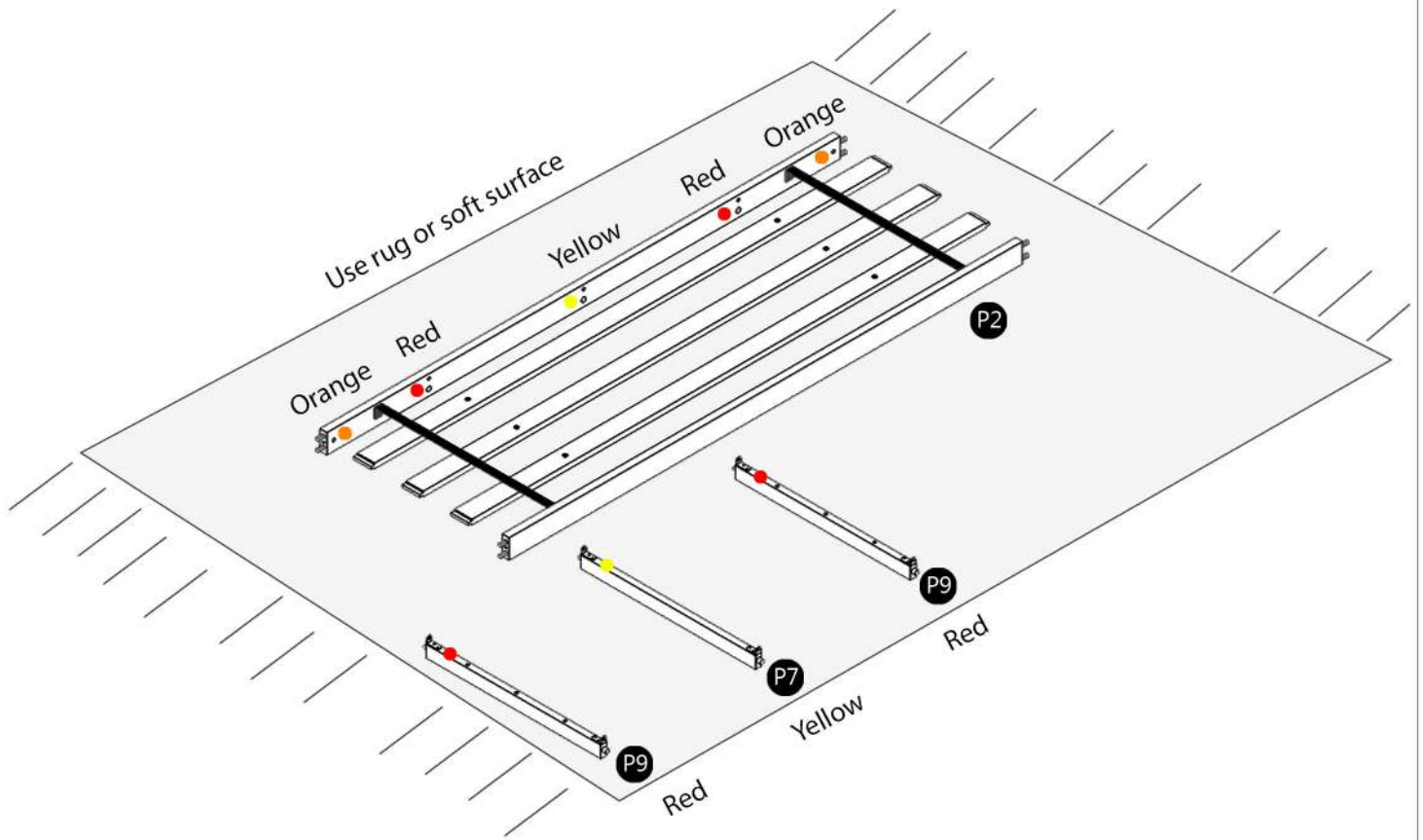
## Hardware supplied for assembly

Tools required for assembly:  
- Allen Key (supplied)

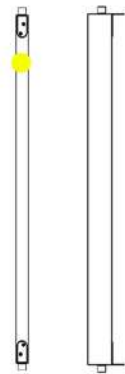


# Step 1: Locate parts P2, P9(2), & P7

Use colored dots to align parts for connection.

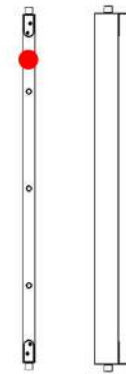


Yellow



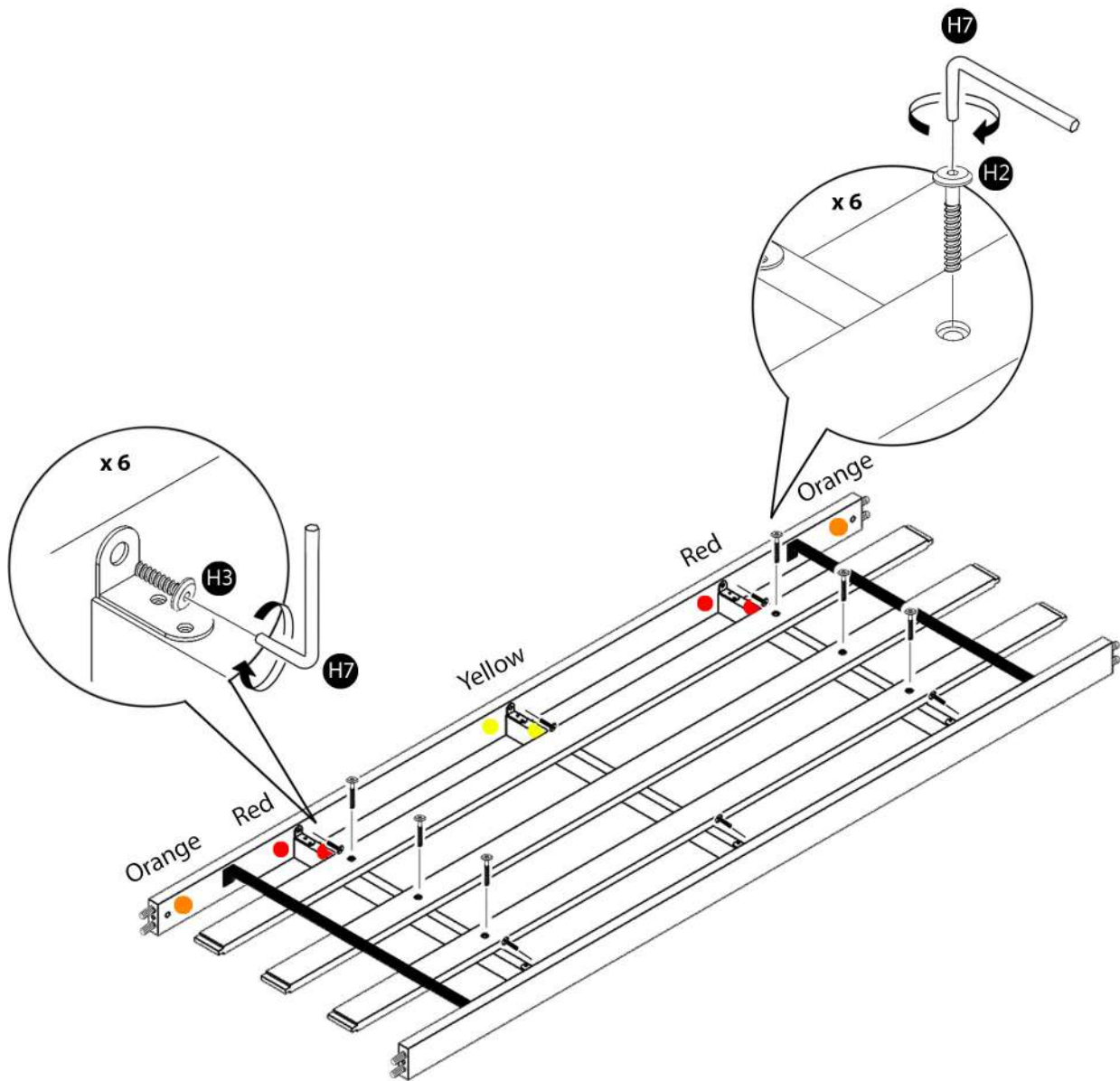
**P7** & Side View  
**x 1**

Red

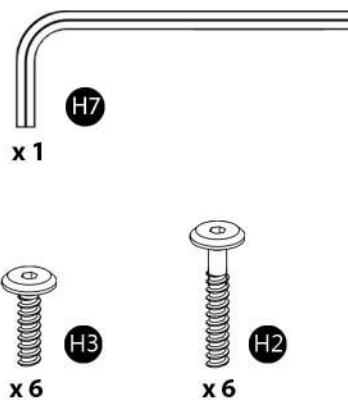


**P9** & Side View  
**x 2**

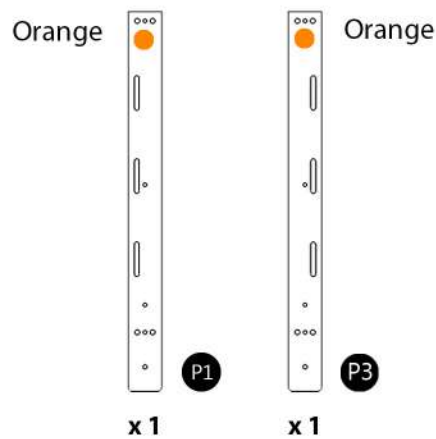
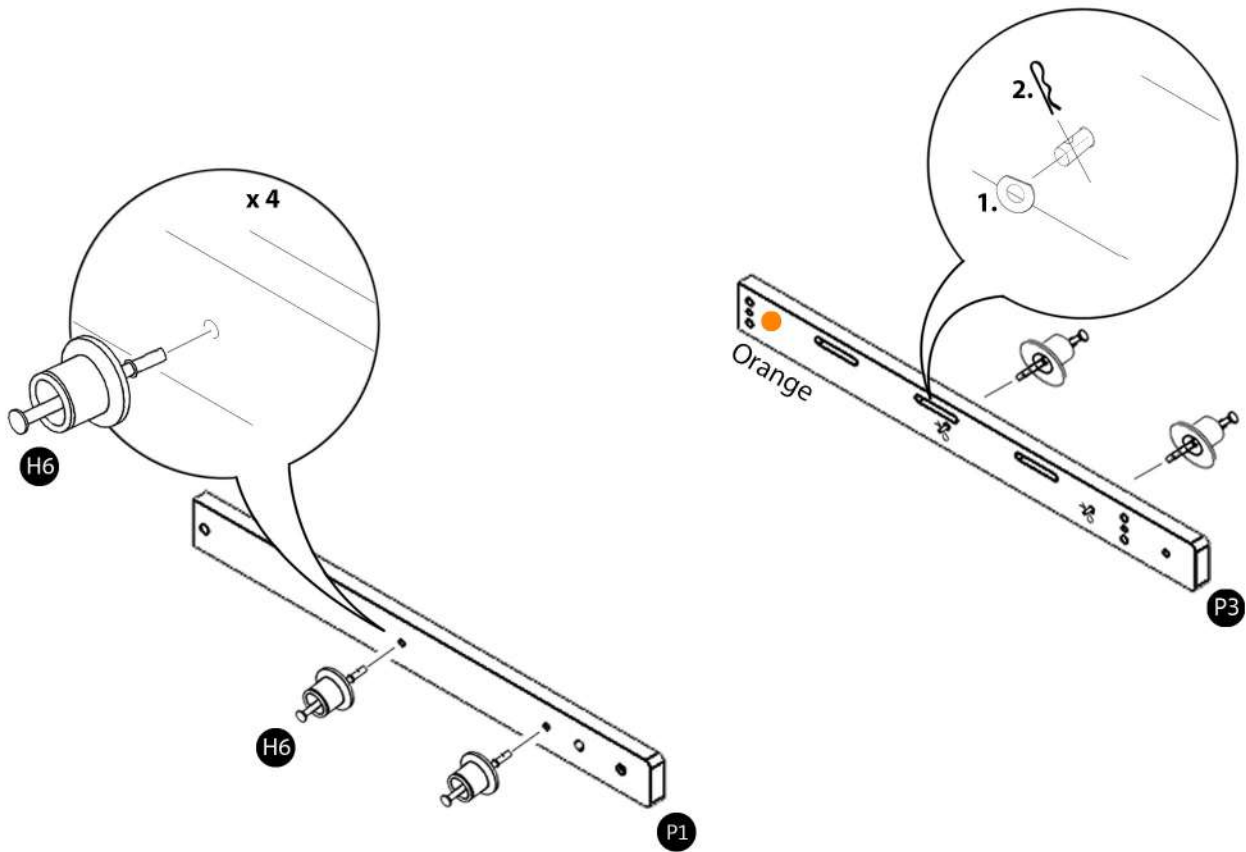
**Step 2:** Attach P7 and P9(2) to P2 with hardware as shown



Loosely attach H2 and H3 bolts.

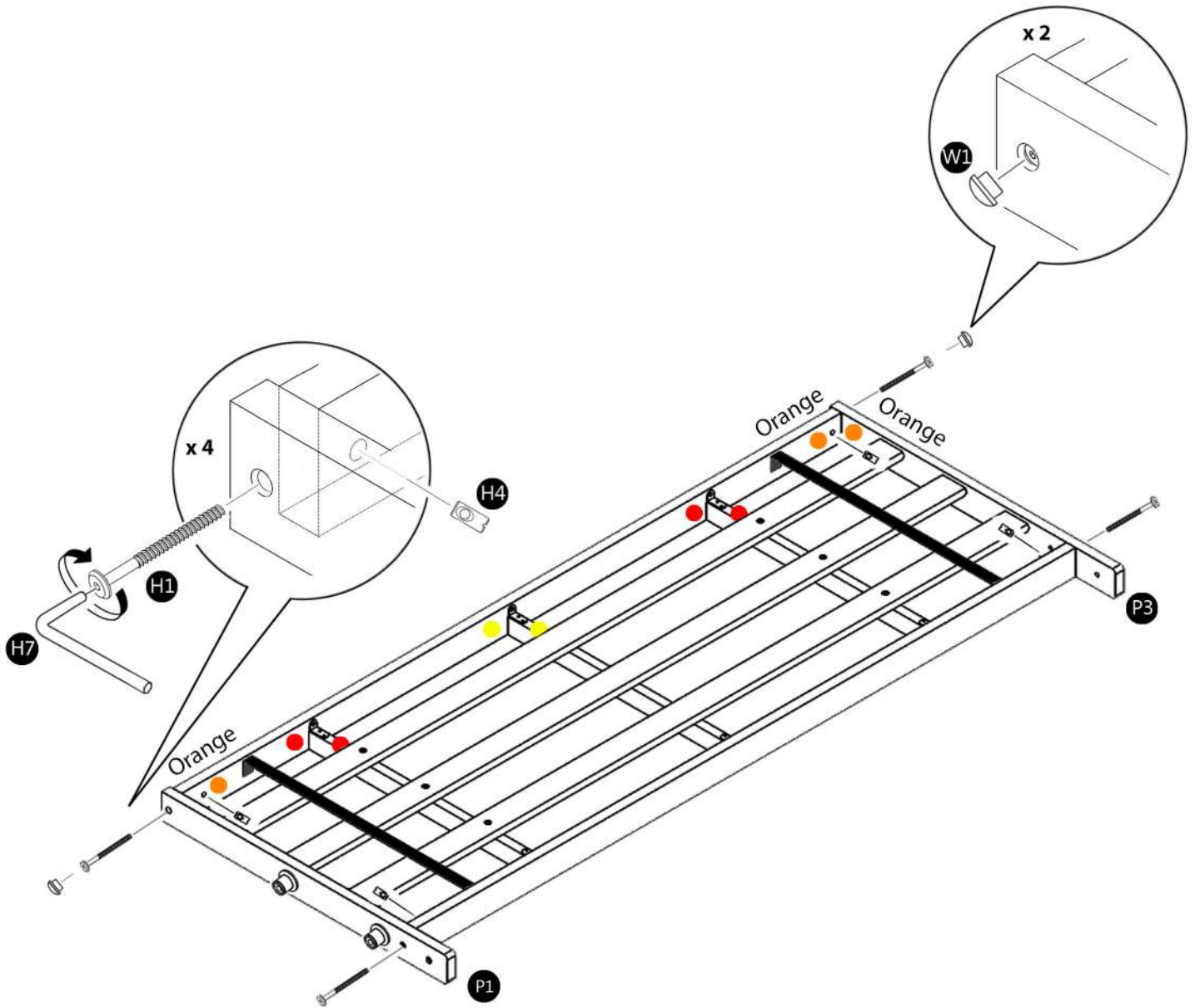


**Step 3:** Attach four nylon guides (H6) as shown

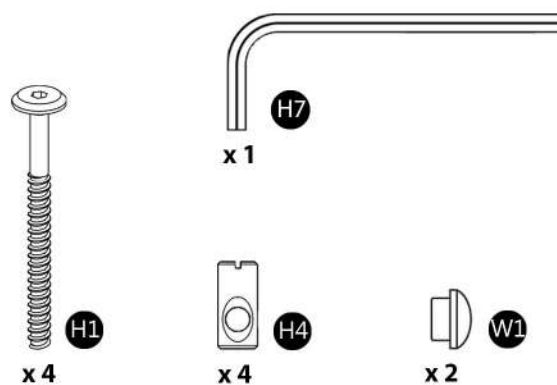


## Step 4: Attach P1 & P3 to back deck P2

Use colored dots to align parts for connection.



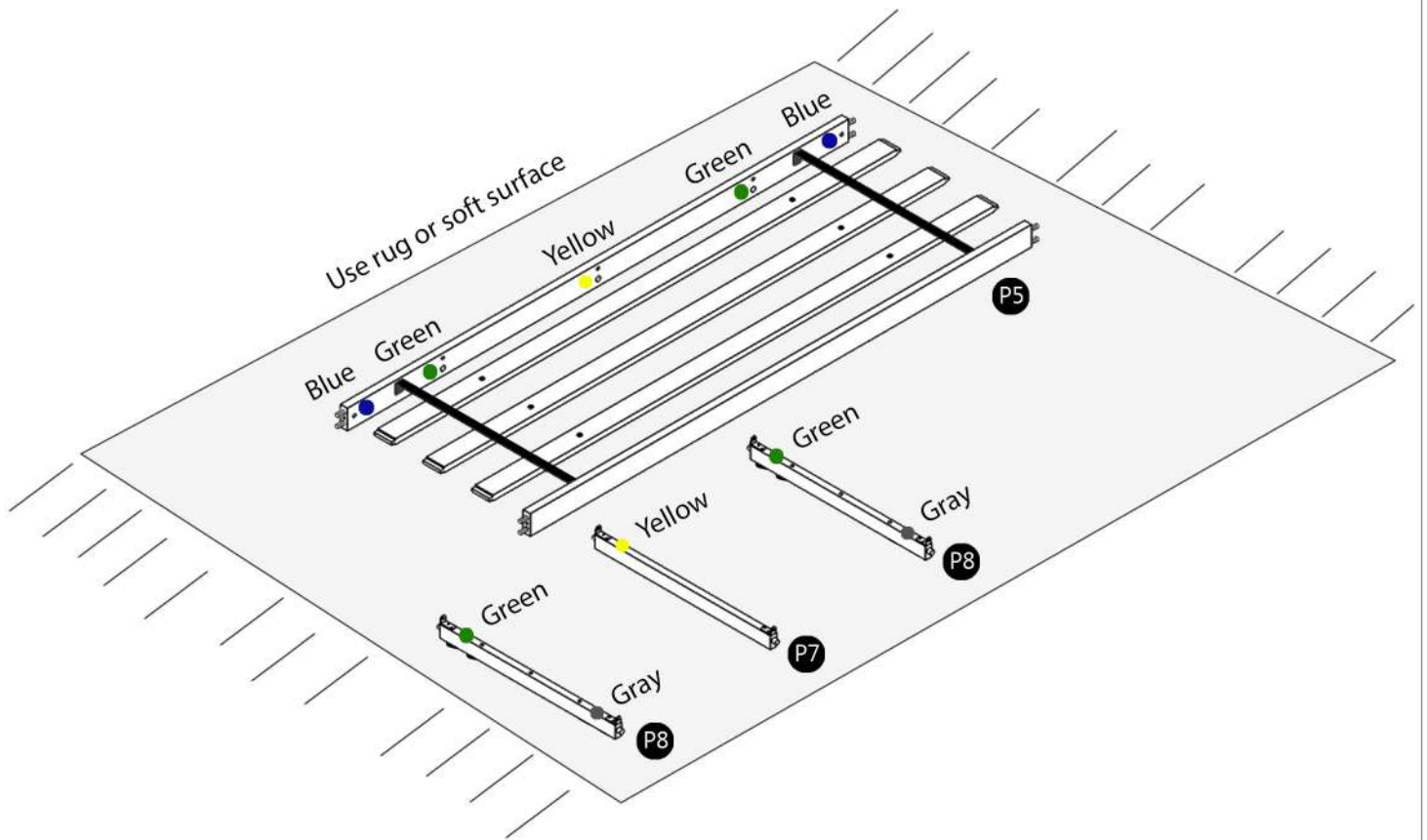
All bolts can be tightened at this point.



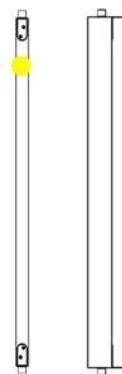


## Step 5: Locate parts P5, P8(2), & P7

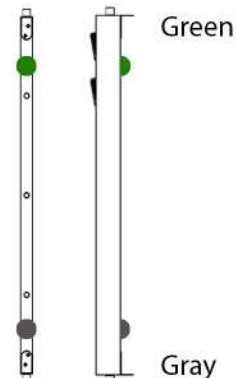
Use colored dots to align parts for connection.



Yellow

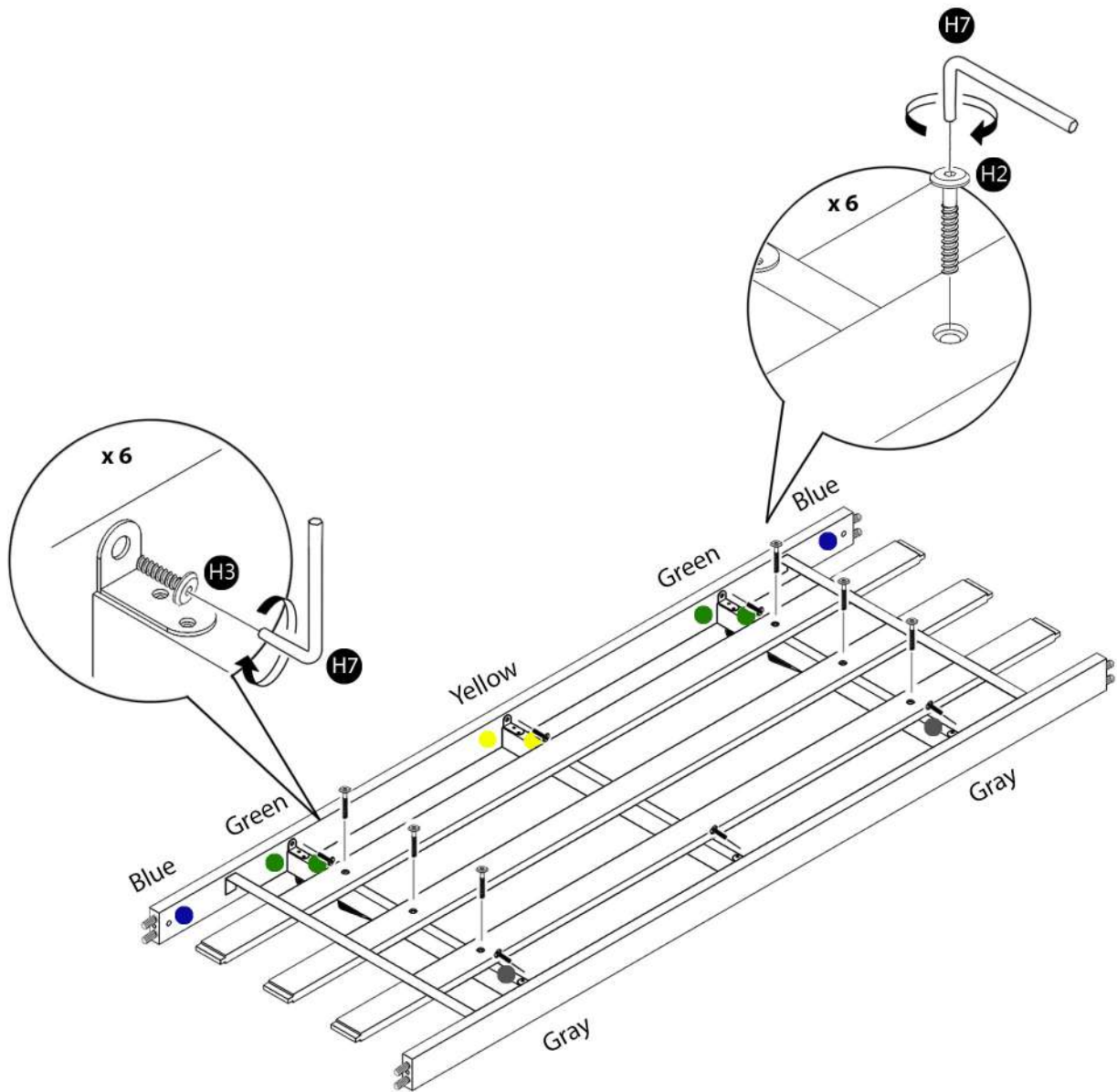


**P7** & Side View  
**x 1**

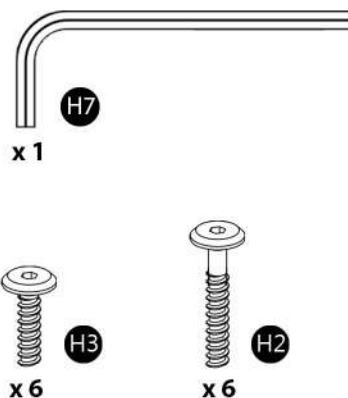


**P8** & Side View  
**x 2**

**Step 6:** Attach P7 and P8(2) to P5 with hardware as shown

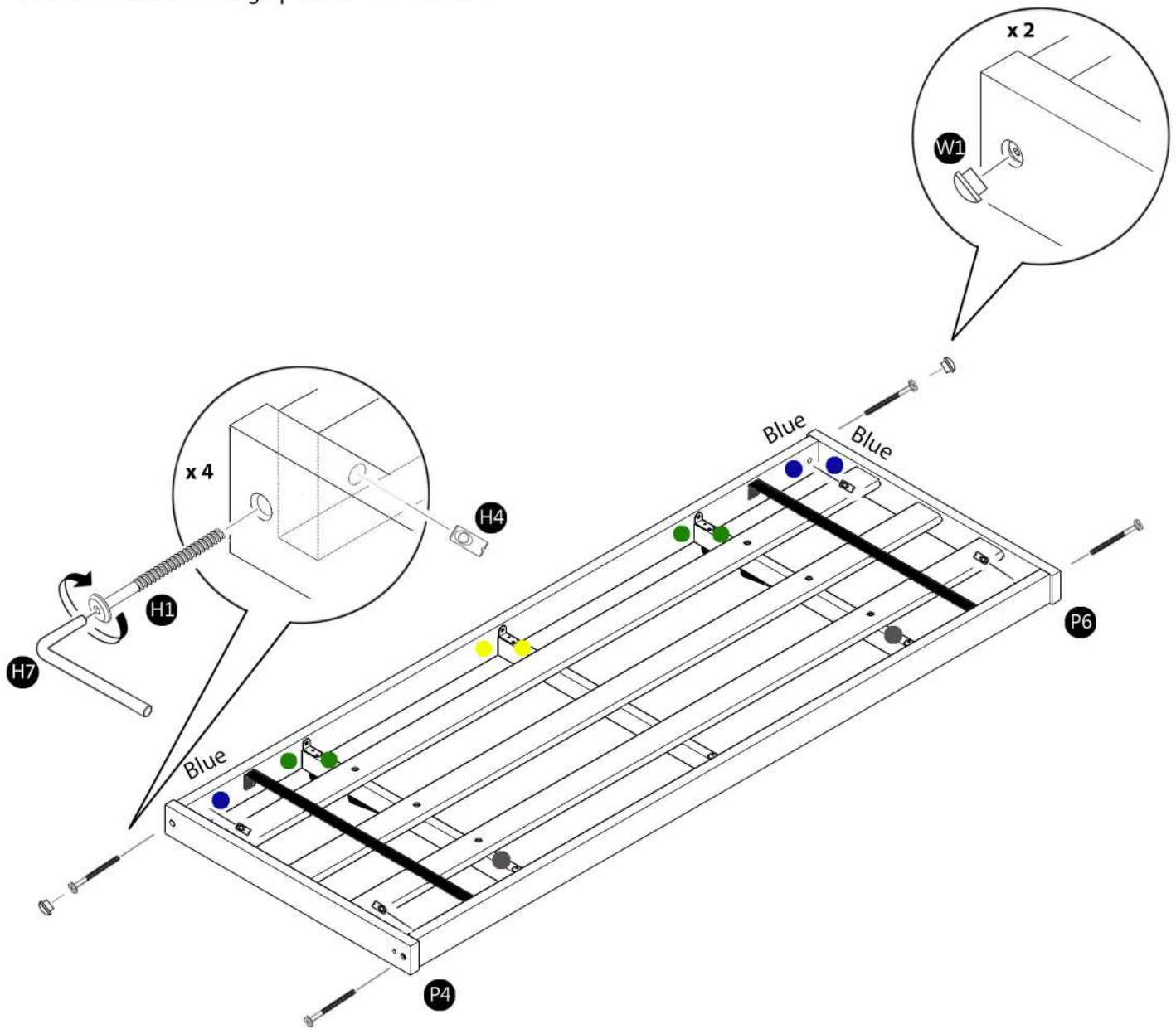


Loosely attach H2 and H3 bolts.

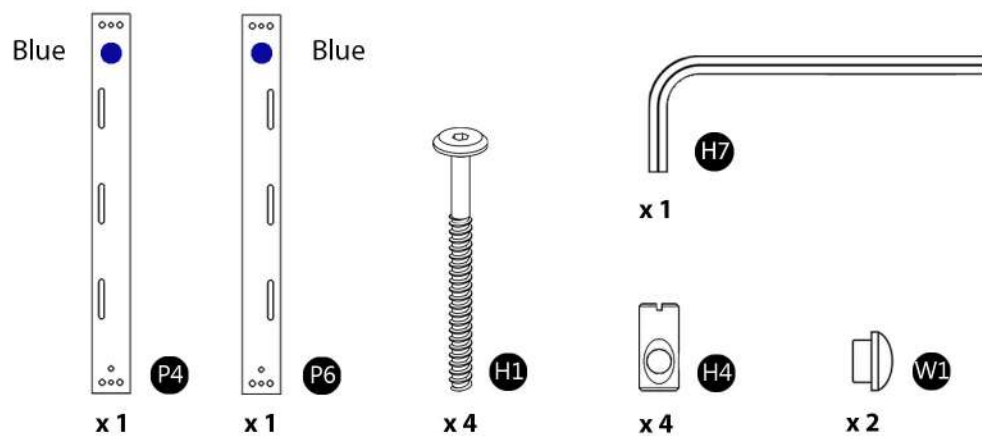


## Step 7: Attach P4 & P6 to seat deck P5

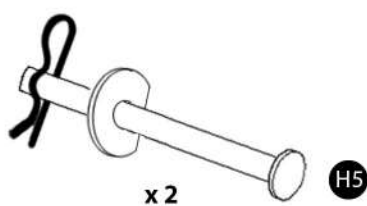
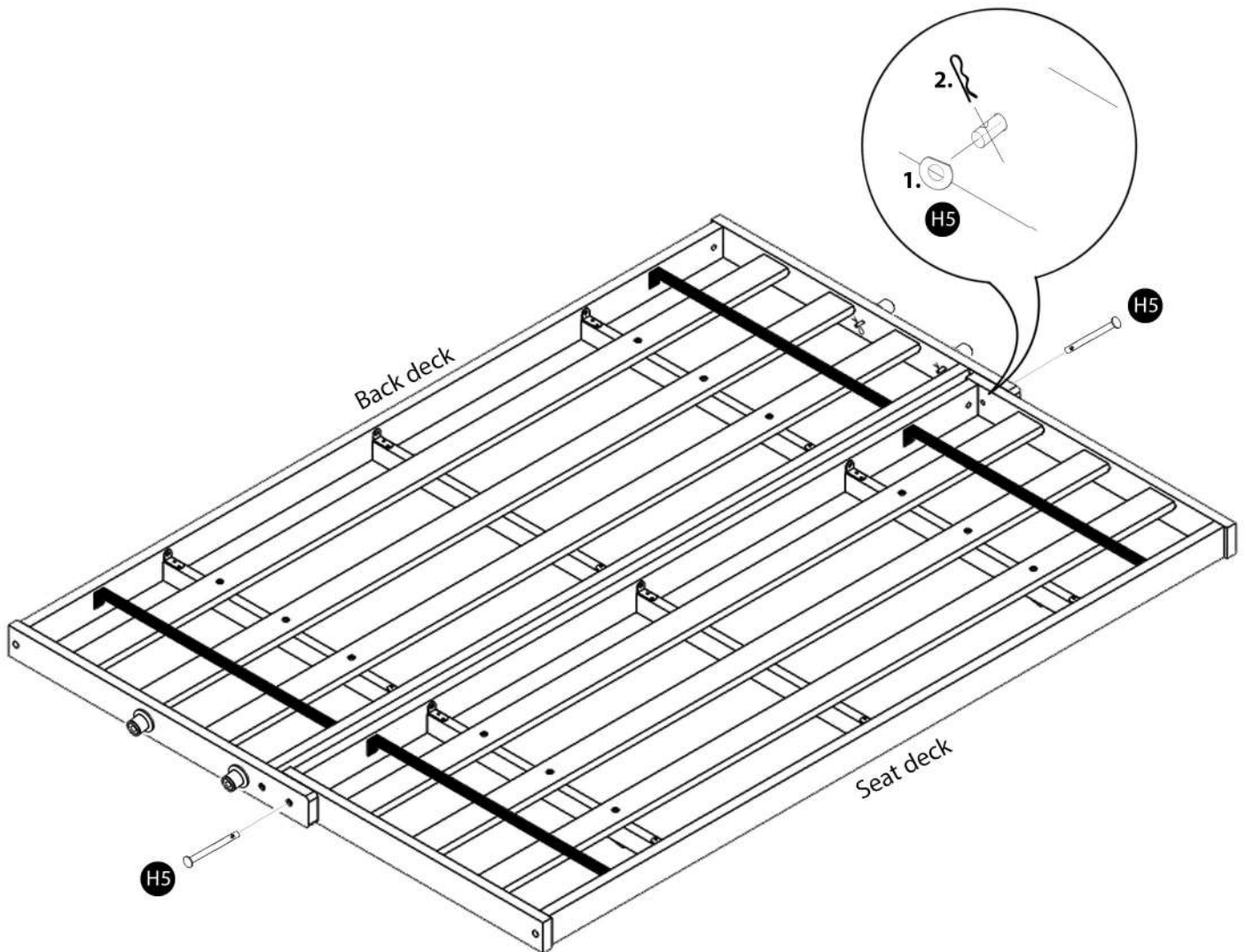
Use colored dots to align parts for connection.



All bolts can be tightened at this point.



**Step 8:** Connect the fully assembled seat and back decks using hardware H5 (x2) as shown below

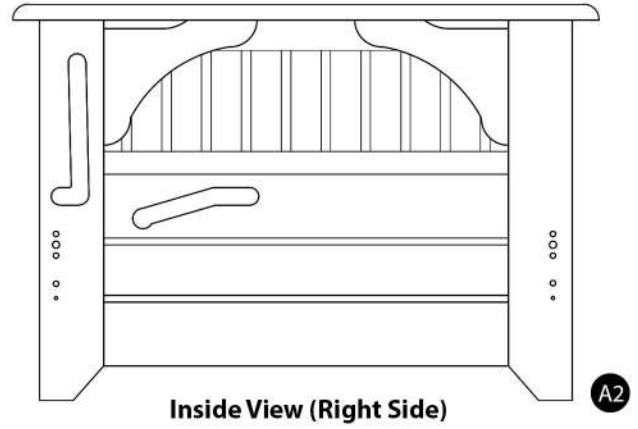
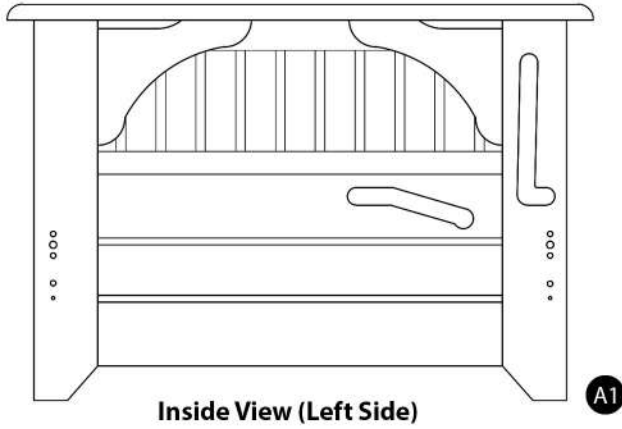


# Assembly Checklist

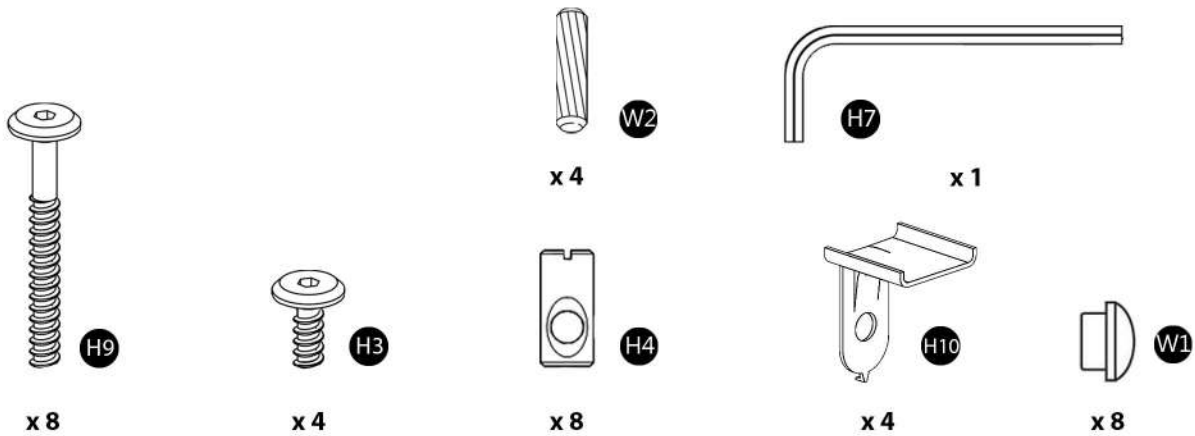
Please make sure that you have all of the below items before you start. If any are missing, please contact us for a replacement.



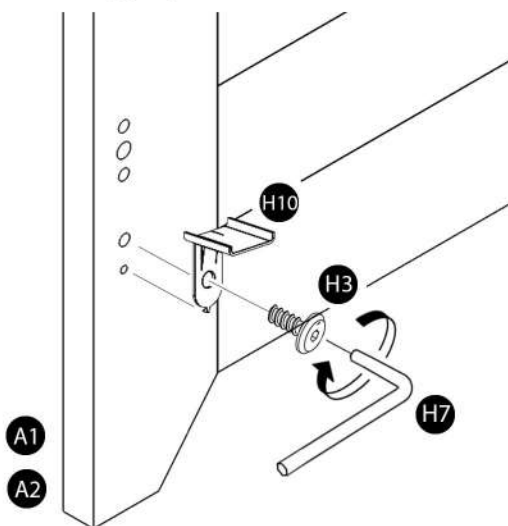
## Arms



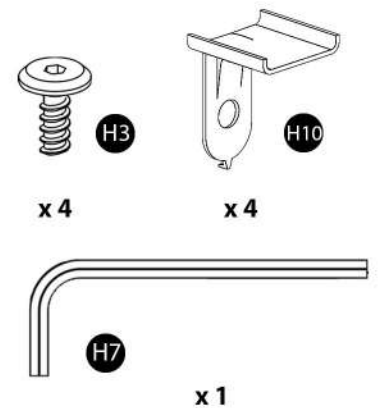
## Hardware supplied for arm assembly



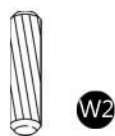
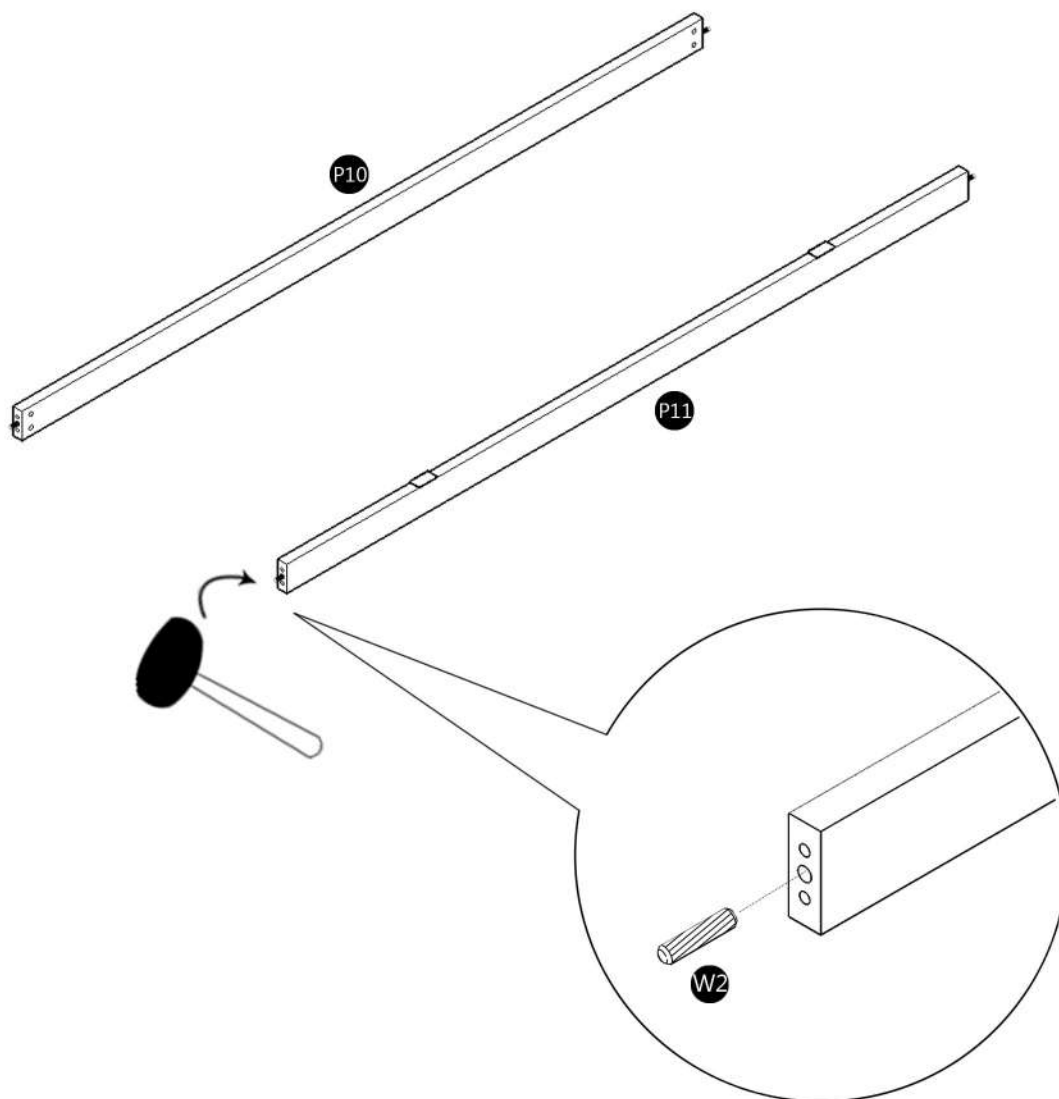
## Step 9: Locate 4 legs, parts A1 & A2



Do not tighten the bolts before finishing all steps.

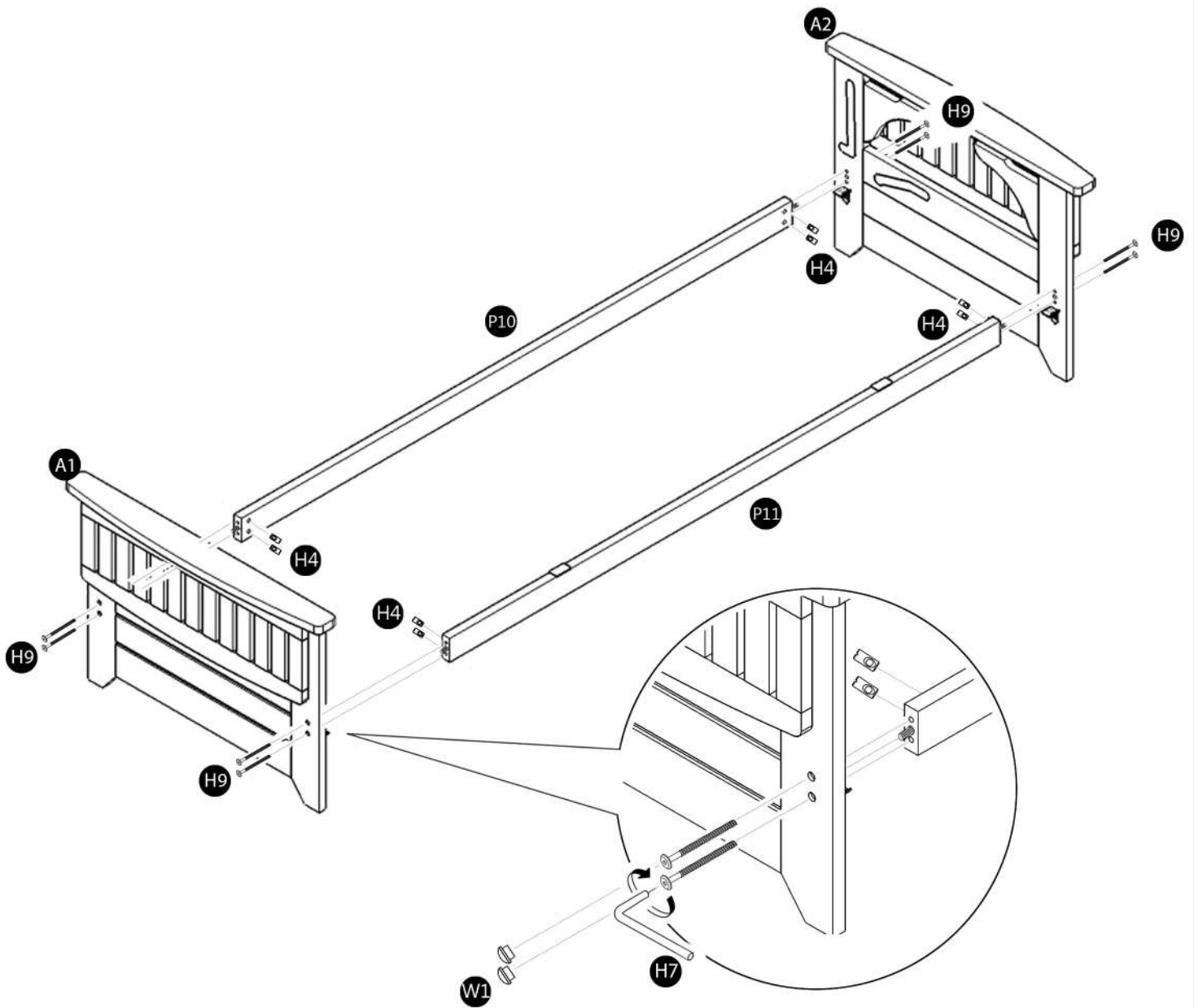


**Step 10:** Insert wood dowels (W2) into stretchers (P10) and (P11) as shown



x 4

# Step 11: Attach P10 & P11 to A1 & A2 with hardware as shown



The bolts need to be very loosely attached at this point. Your arm may vary.



H9

x 8



H4

x 8



W1

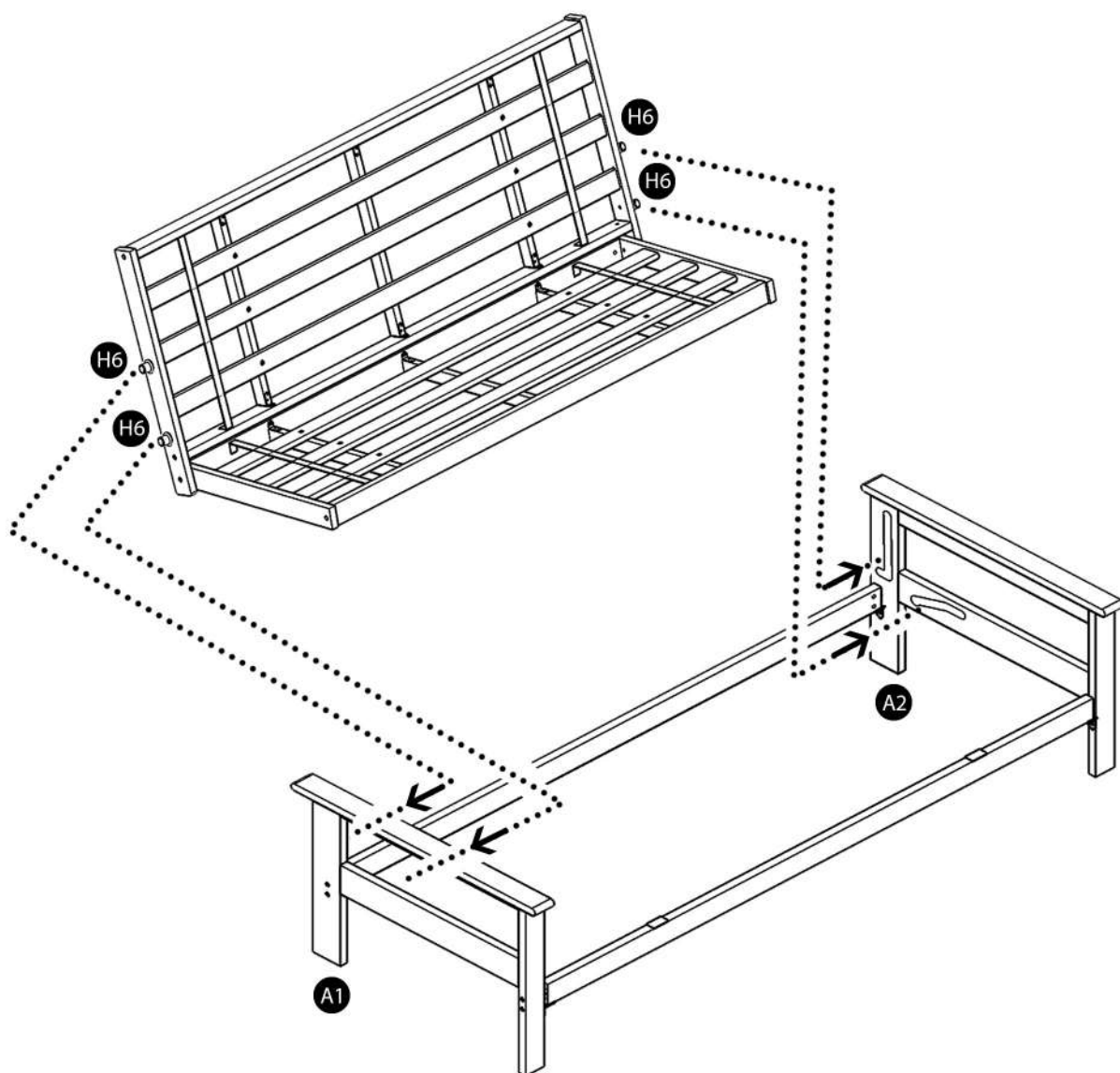
x 8



H7

x 1

**Step 12:** Align H6(4) into grooved out slots on A1 & A2.



The bolts need to be very loosely attached at this point. Tighten all bolts after everything is in place.

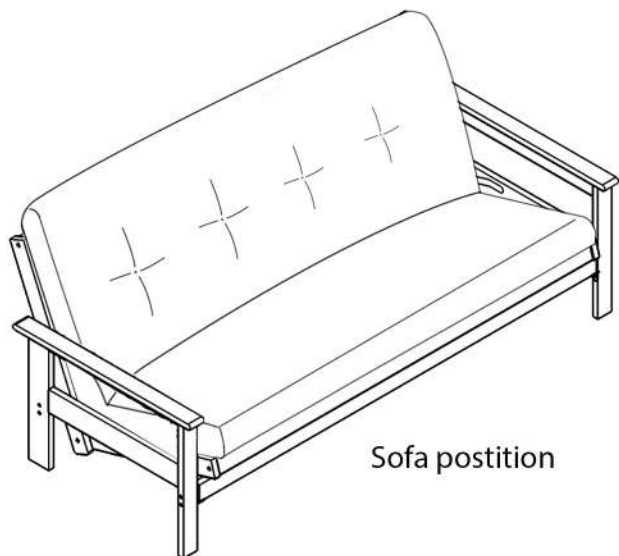


H7  
x 1

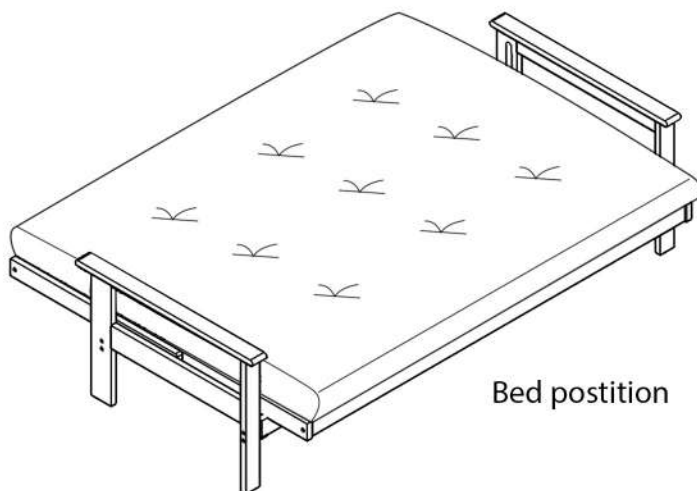


## Assembled views

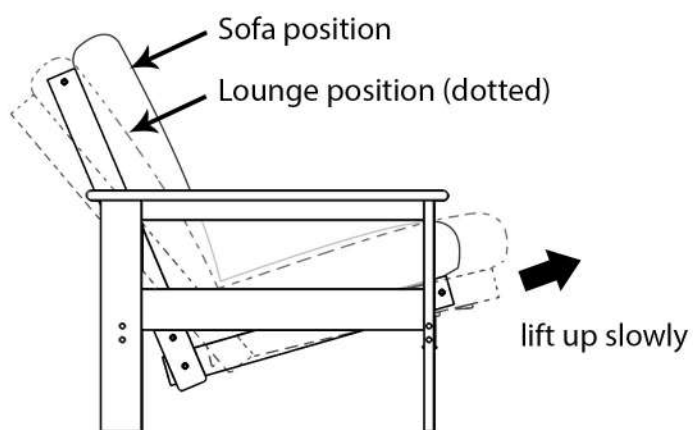
Your arm may vary.



Sofa position



Bed position

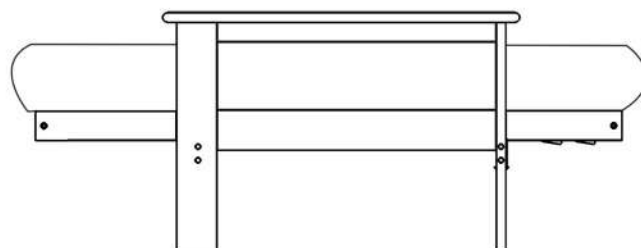


Sofa position

Lounge position (dotted)

lift up slowly

Sofa position to Lounge position.



Bed position