

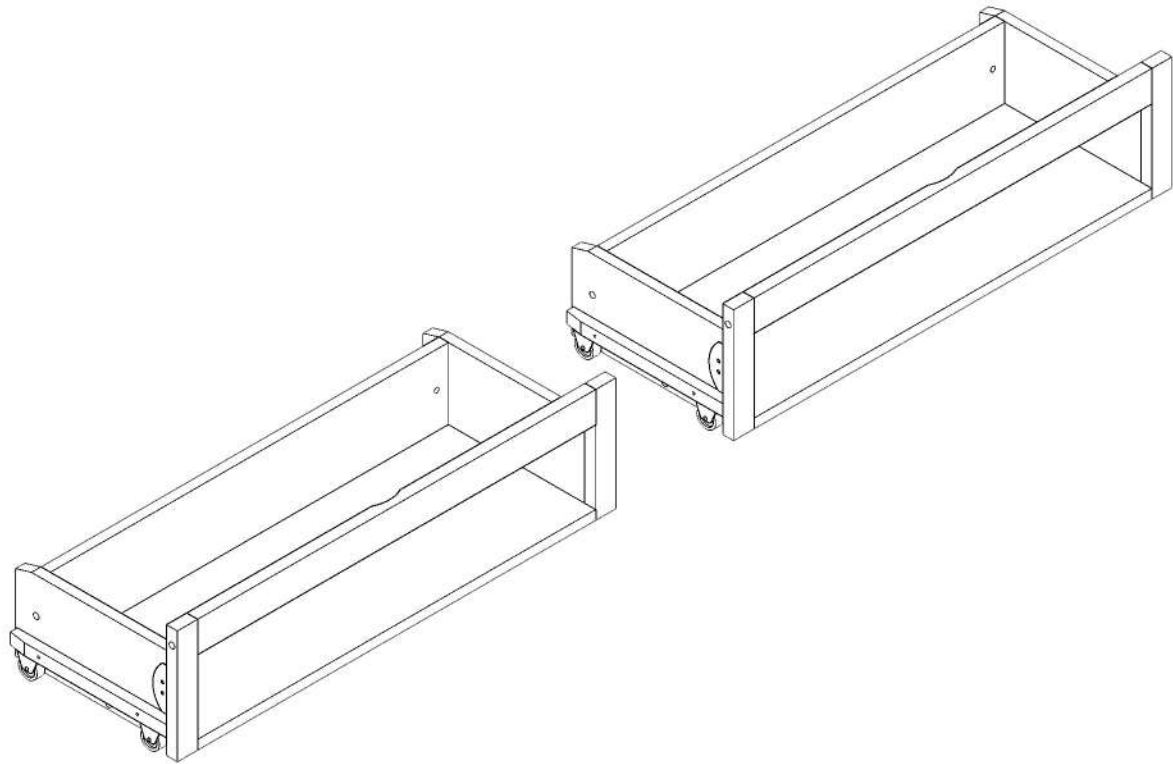


DO NOT RETURN TO RETAILER
IF YOU HAVE ANY
QUESTIONS OR CONCERNS
PLEASE CALL
KODIAK FURNITURE
AT 651-641-0281
MONDAY- FRIDAY 8AM TO 3:30 PM CST

OR EMAIL TO
info@kodiakfurniture.com
OR VISIT OUR WEBSITE AT
www.kodiakfurniture.com



Drawer No Face Assembly Instructions



Required:



Tools Needed:



Allen Key provided

Please cover floor with corrugated cardboard / paper / carpet
to avoid scratches / damages to floor

Assembly Checklist

Please make sure that you have all of the below items before you start. If any are missing, please contact us for a replacement.



Parts supplied for assembly

All Parts **x2** sets



P1



P2



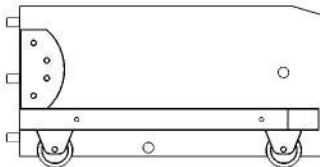
P7



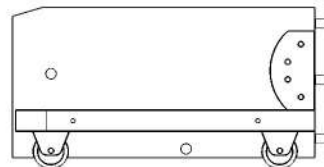
P3



P4



P5



P6

Hardware supplied for assembly



H1

x 4



H2

x 8



H3

x 8



H4

x 12

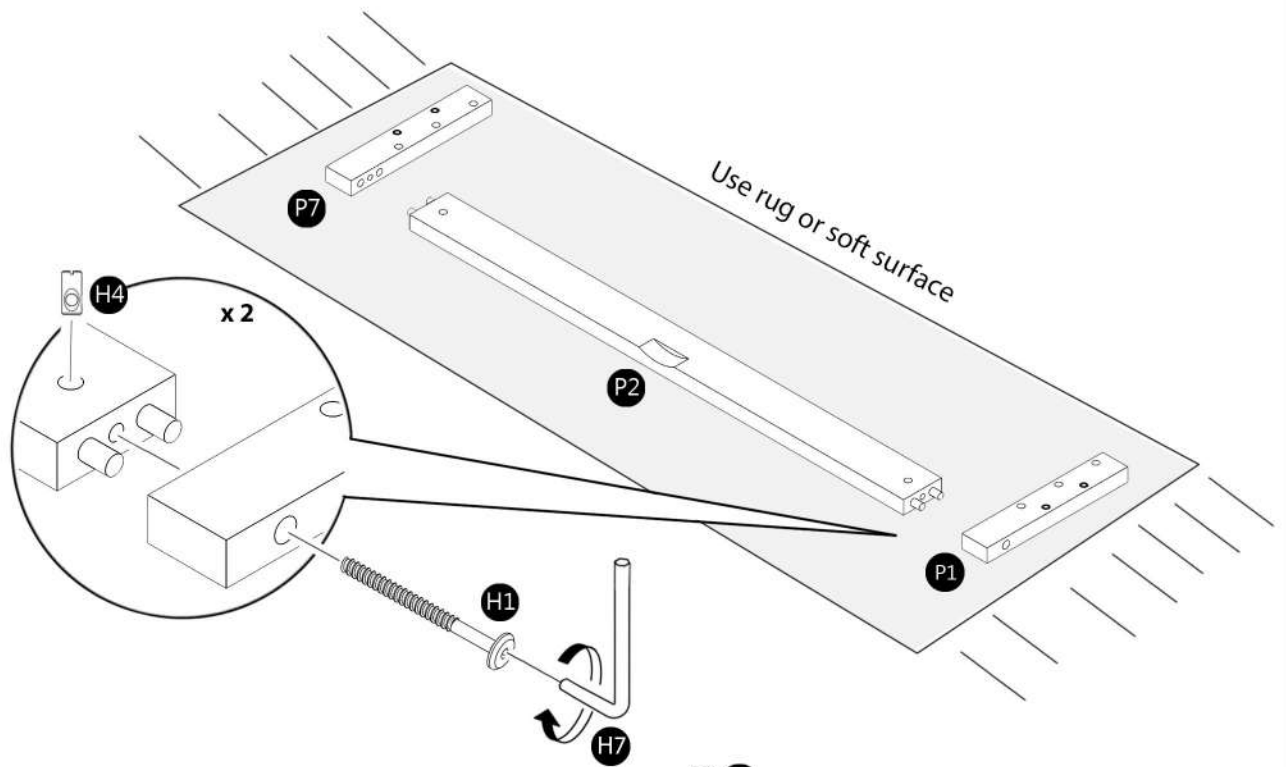
Tools required for assembly:
- Allen Key (supplied)



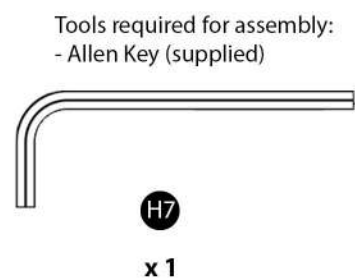
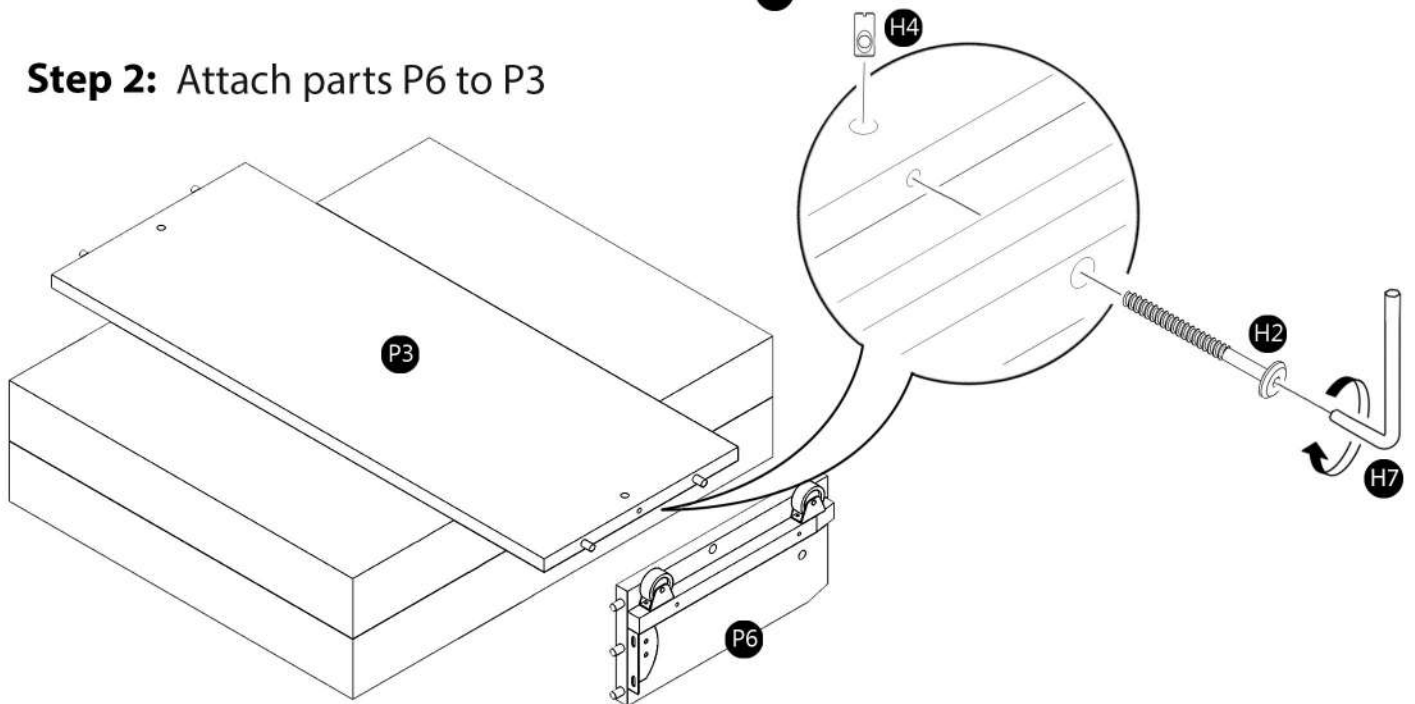
H7

x 1

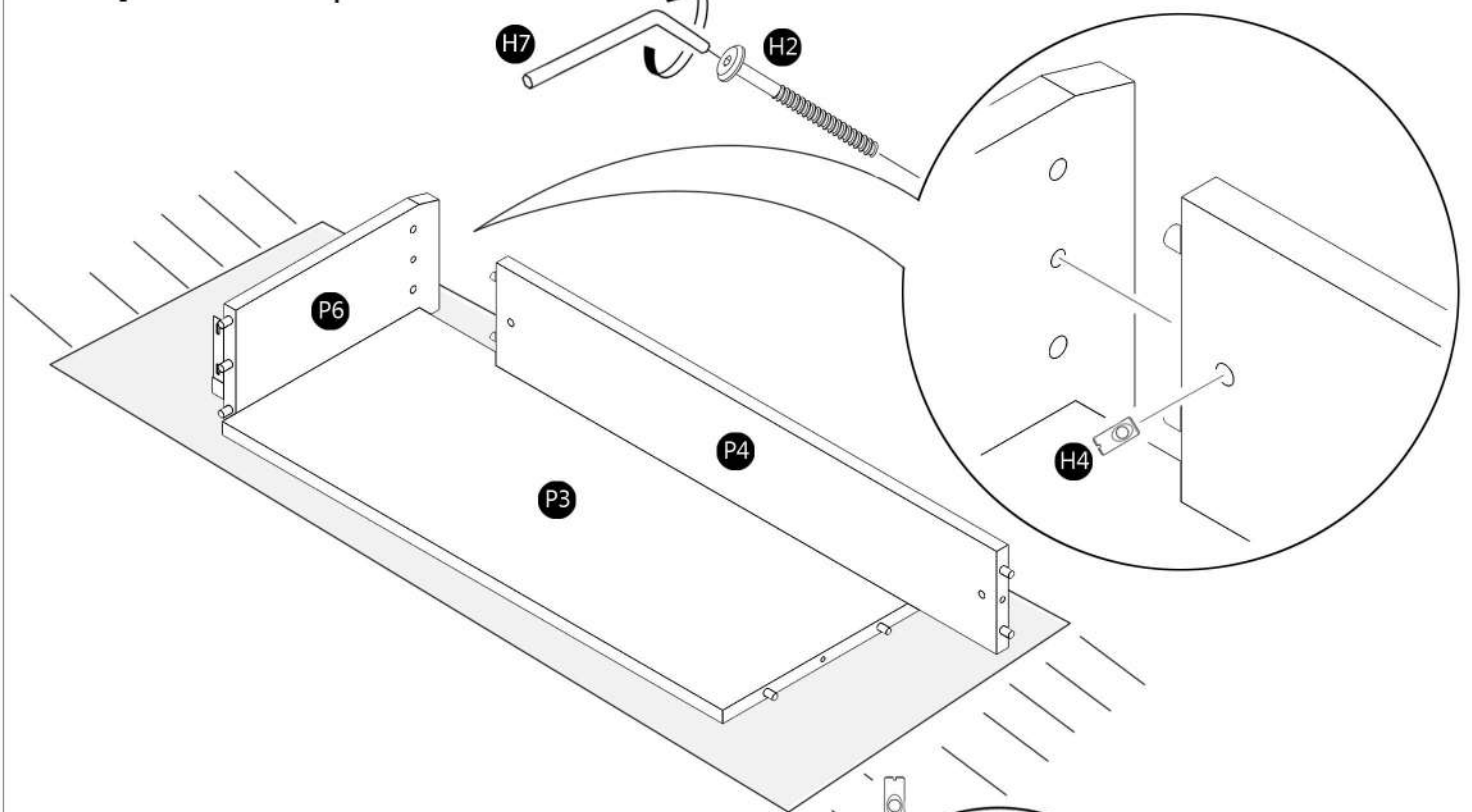
Step 1: Attach parts P1, P2 & P7 with hardware as shown



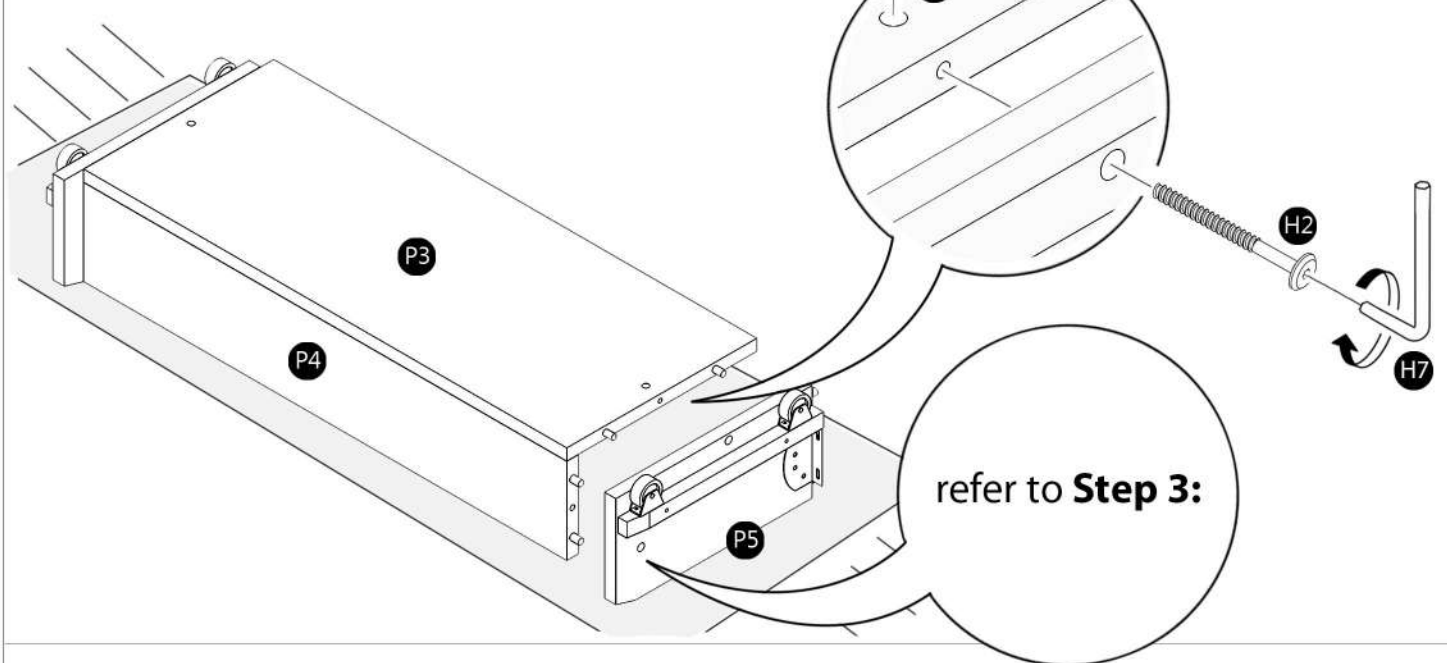
Step 2: Attach parts P6 to P3



Step 3: Attach parts P4 to P6



Step 4: Attach part P5 to P3 & P4



x 3



x 3

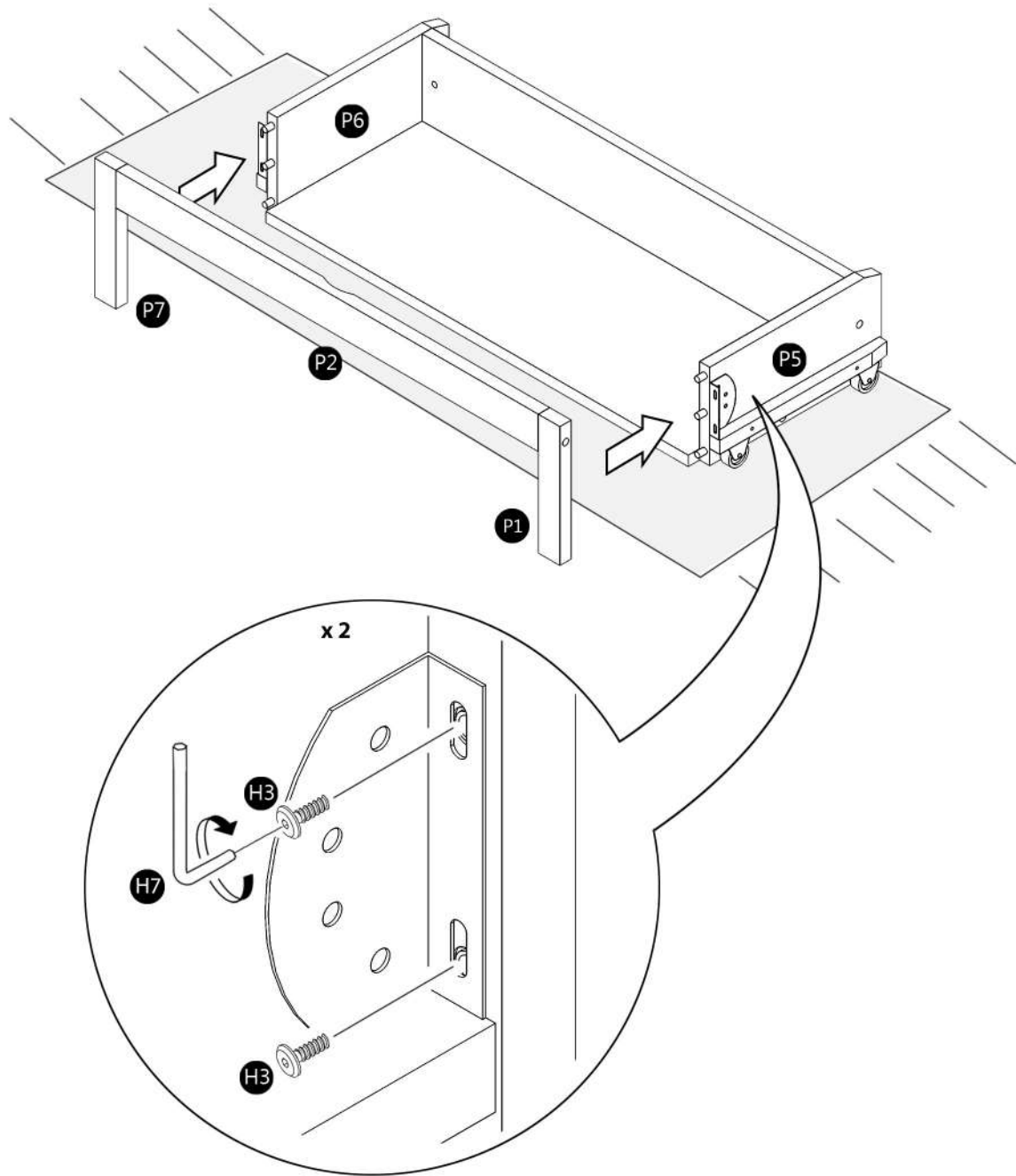


H7

x 1

Tools required for assembly:
- Allen Key (supplied)

Step 5: Attach part P1 & P7 to P5 & P6



All bolts can be tightened at this point. Repeat from step 1 to 5 for the other drawer.

Tools required for assembly:
- Allen Key (supplied)



x 4



H7

x 1