









# METAL PLATE PARTS FOR 1138A

PLEASE USE THE NEW HOLE METAL PLATE TO INSTEAD OF THE ORIGINAL METAL PLATE OF 1138A, AND THEN TO FOLLOW THE BELOW STEP TO ASSEMBLE.

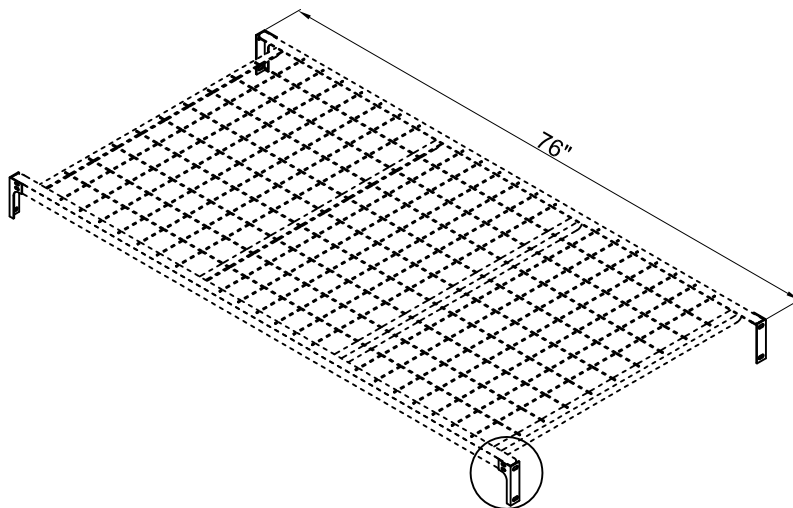
## PARTS IDENTIFICATION




- A LEFT METAL PLATE  2pcs
- B RIGHT METAL PLATE  2pcs

## Z HARDWARE LIST:

NO	DESCRIPTION	FIGURE	Q'TY
1	BOLT 1/4"X5/8"		8pcs
2	NUT 1/4"		8pcs
3	ALLEN WRENCH		1pc
4	OPEN END WRENCH		1pc

## STEP 1



- 1  8PCS
- 2  8PCS
- 3 
- 4 