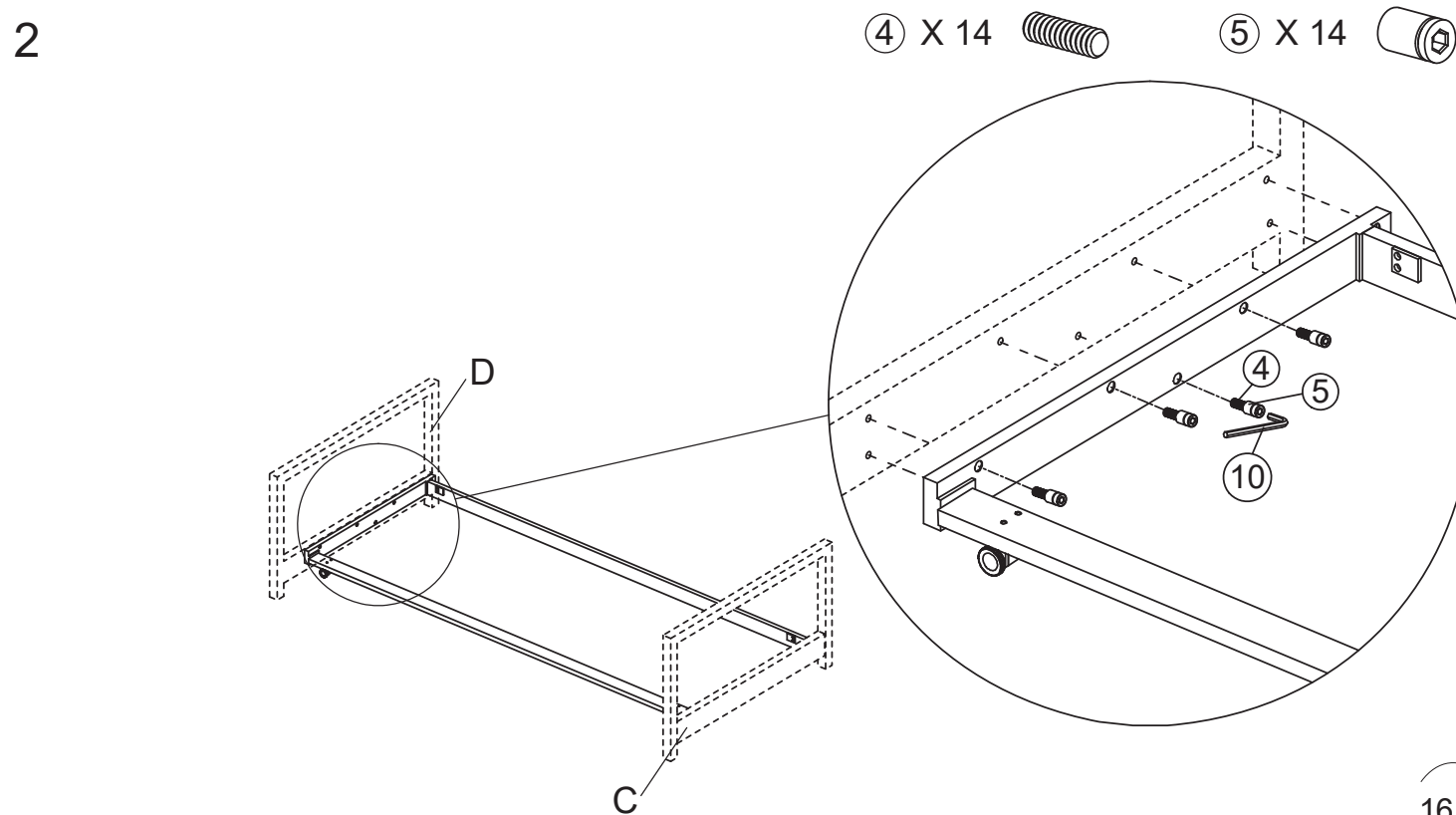
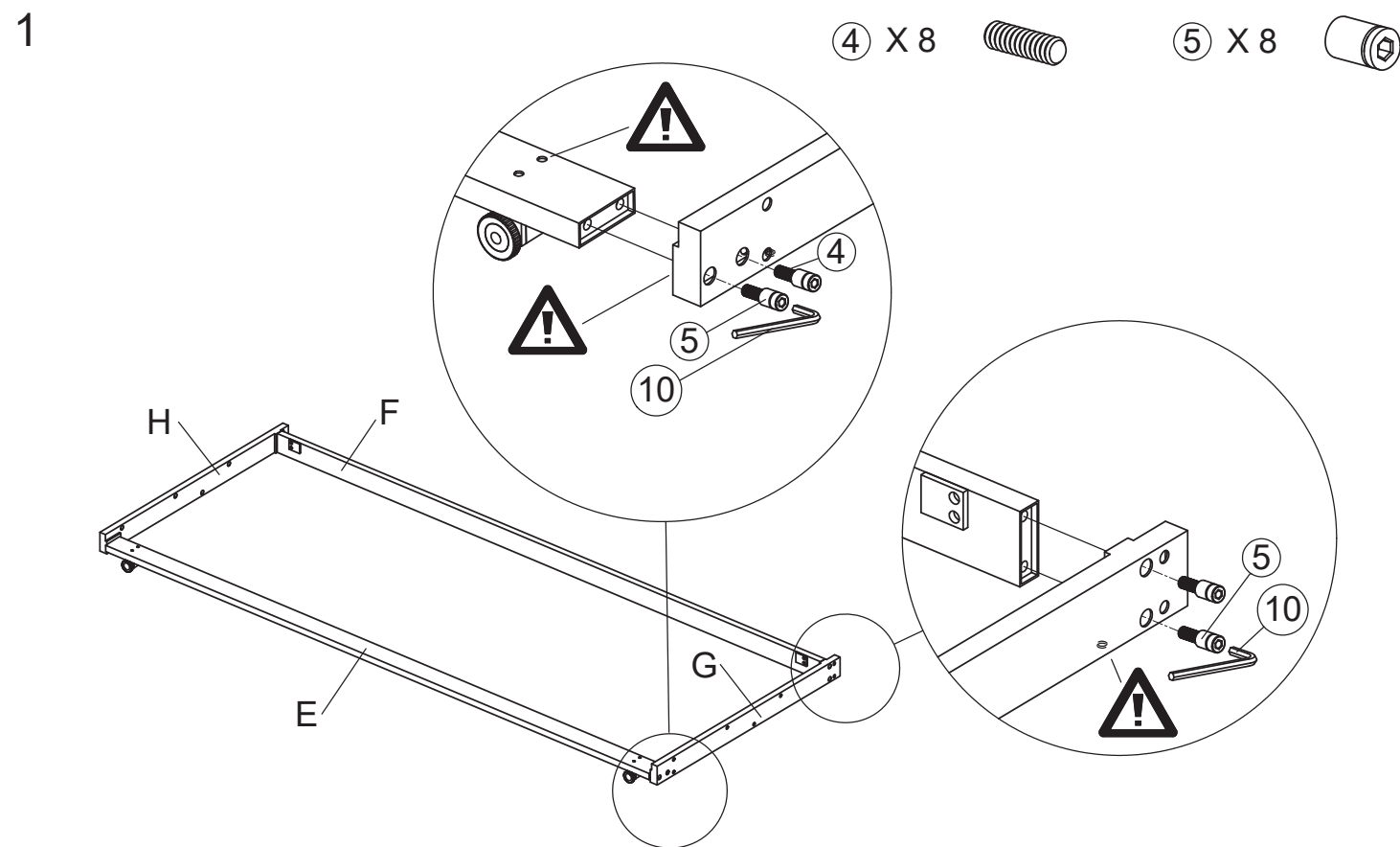
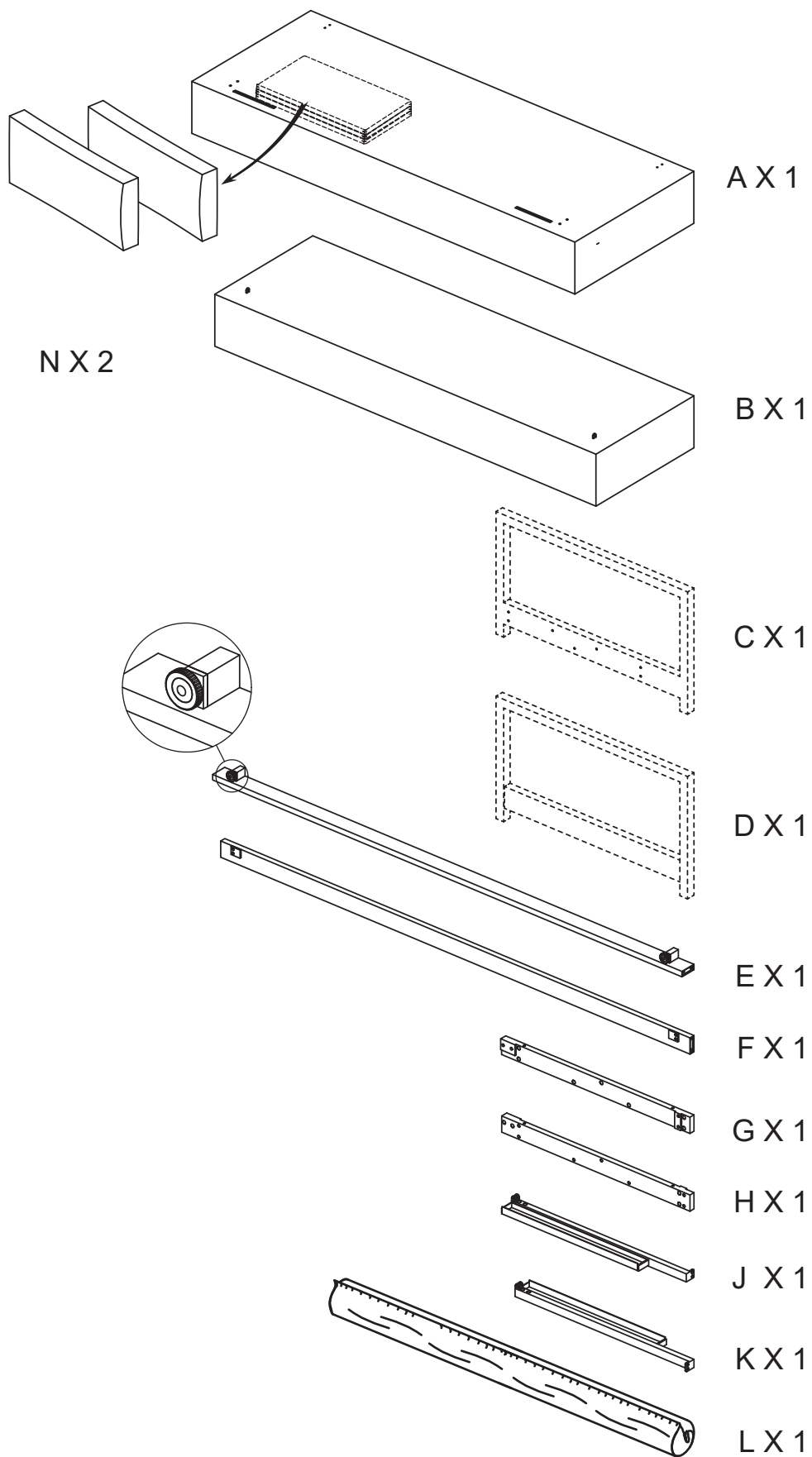


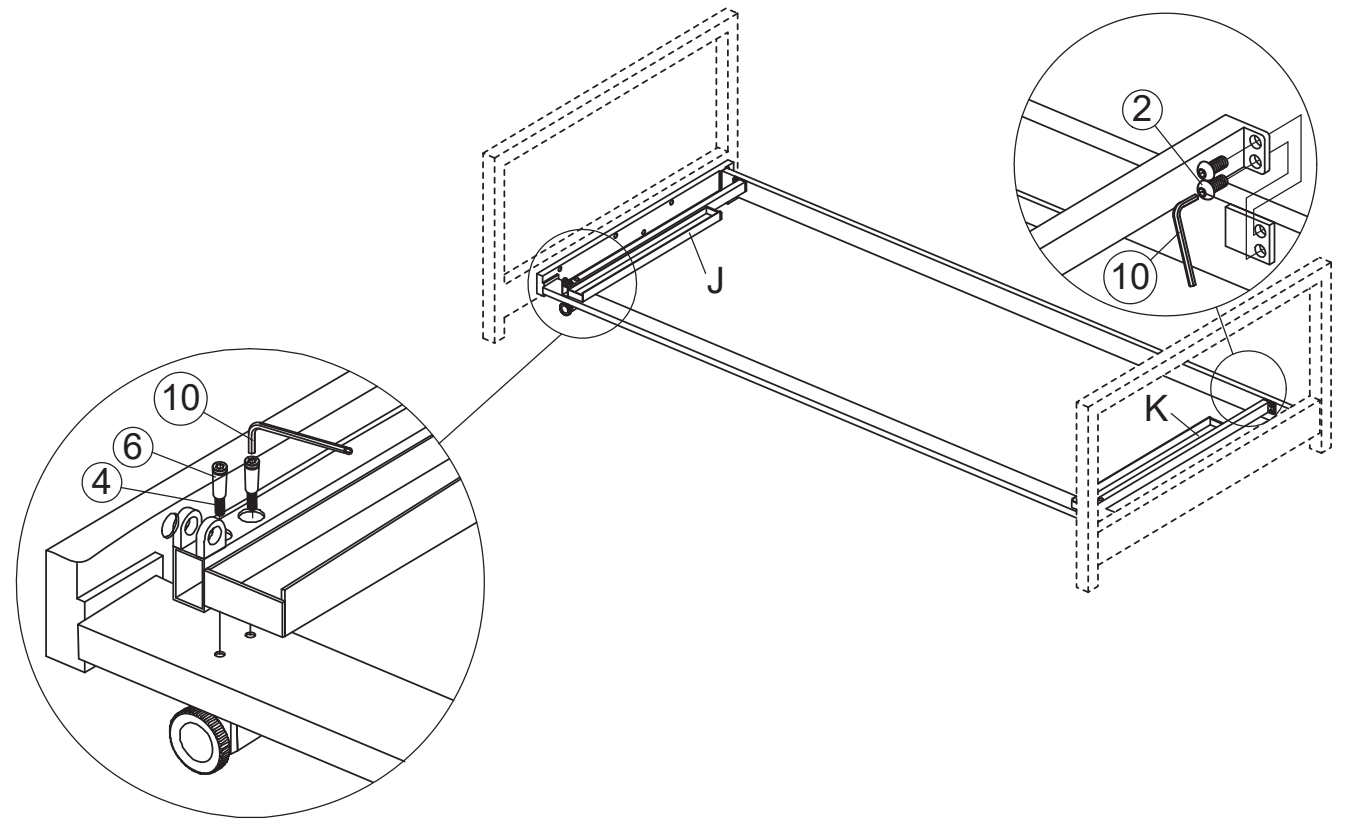


- ① X 4
- ② X 8
- ③ X 2
- ④ X 26
- ⑤ X 22
- ⑥ X 4
- ⑦ X 2
- ⑧ X 2
- ⑨ X 2
- ⑩ X 1
- ⑪ X 1
- ⑫ X 1



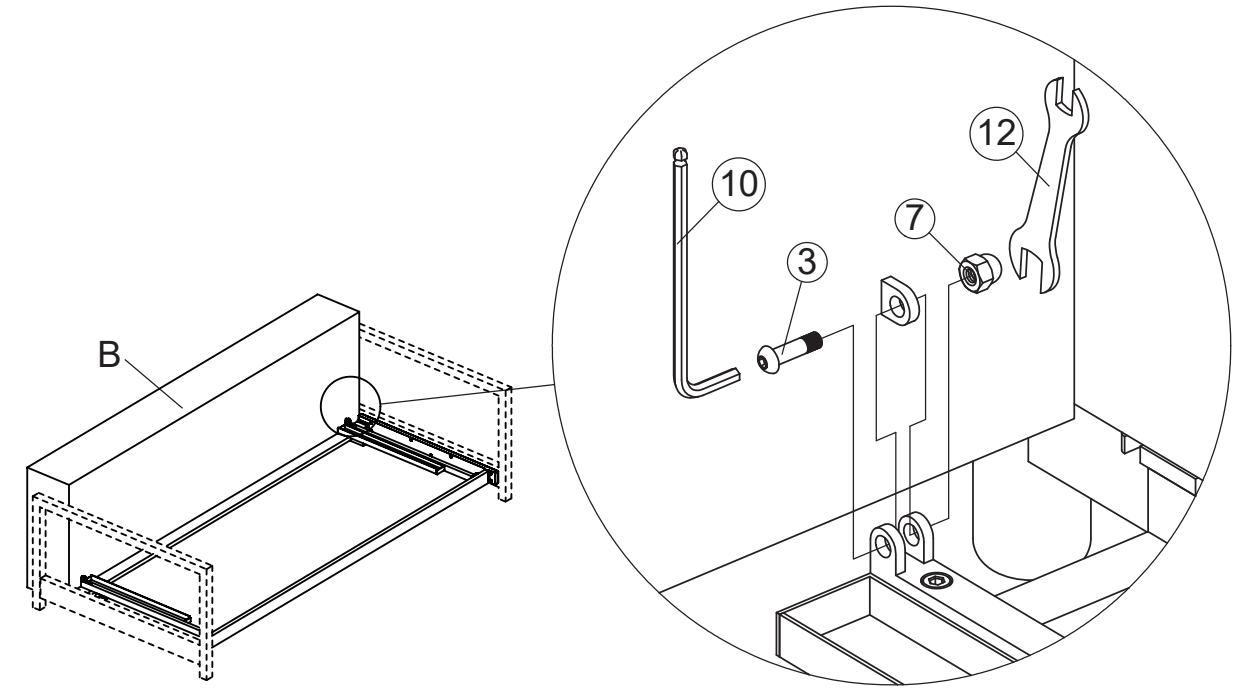
3

- ② X4
- ④ X4
- ⑥ X4



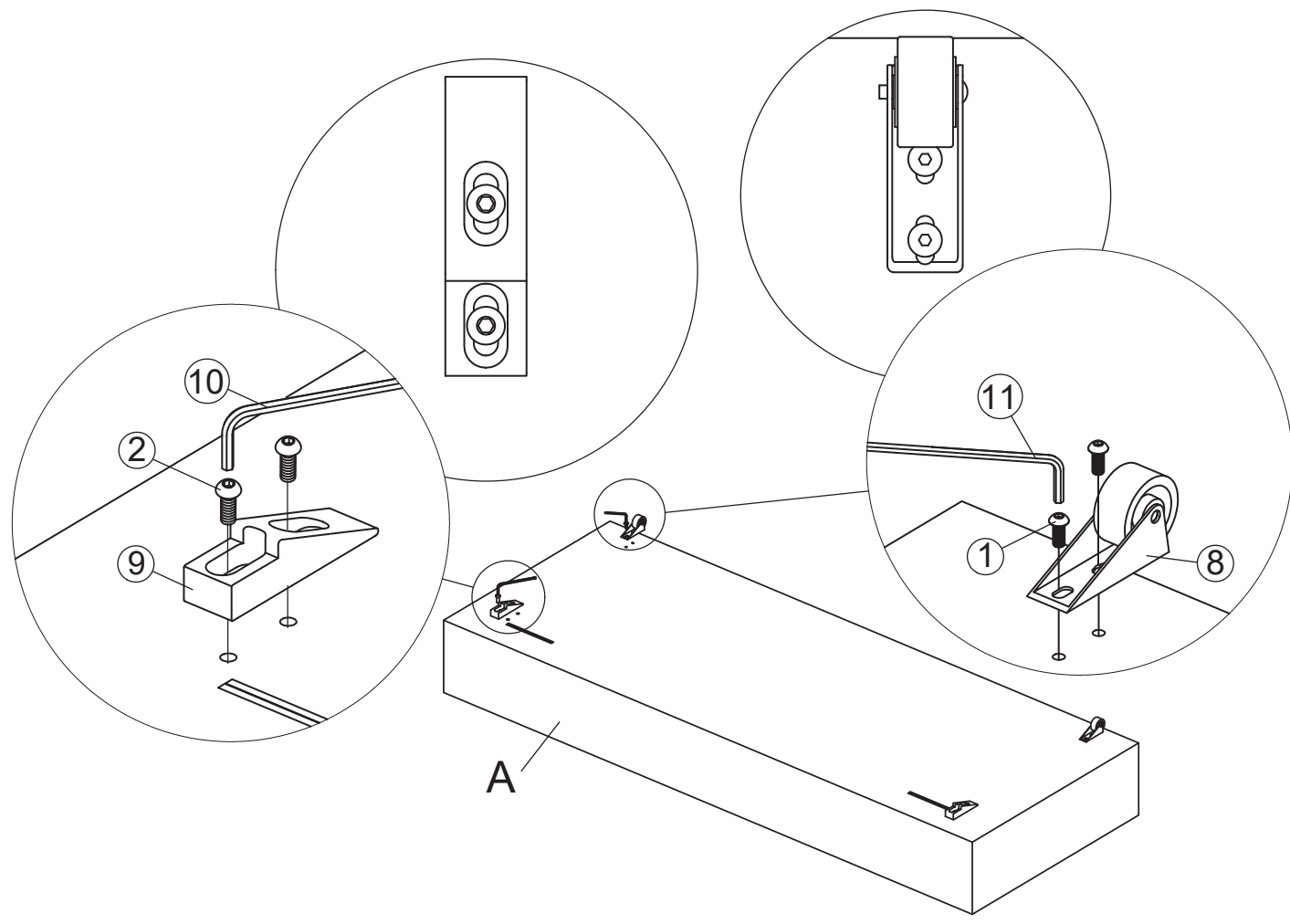
5

- ③ X2
- ⑦ X2

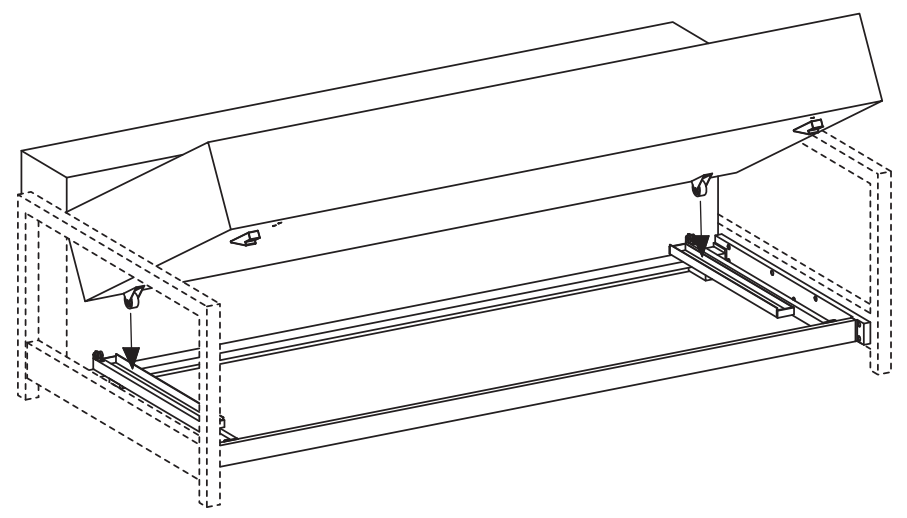


4

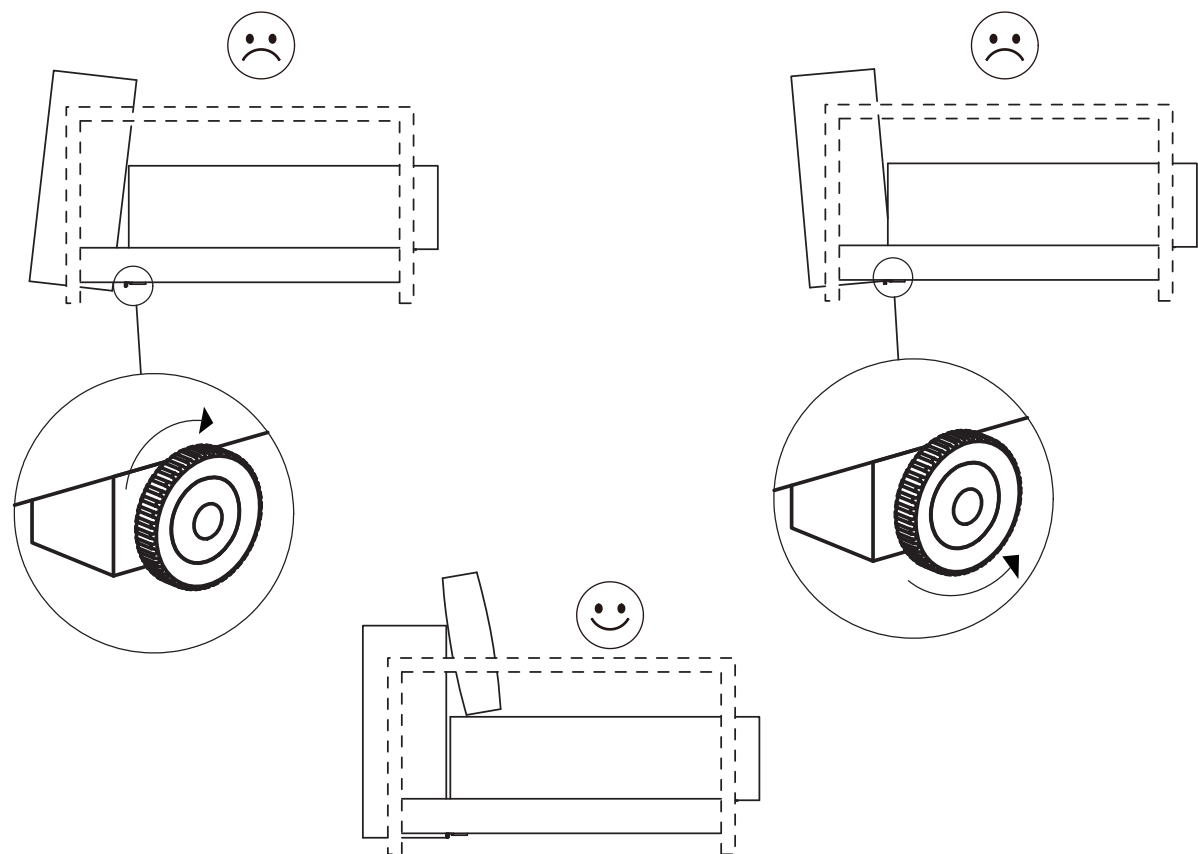
- ① X4
- ② X4
- ⑧ X2
- ⑨ X2



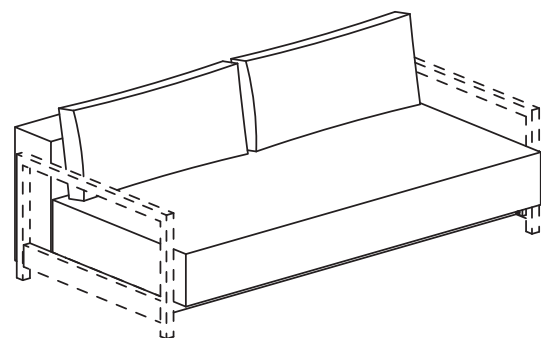
6



7

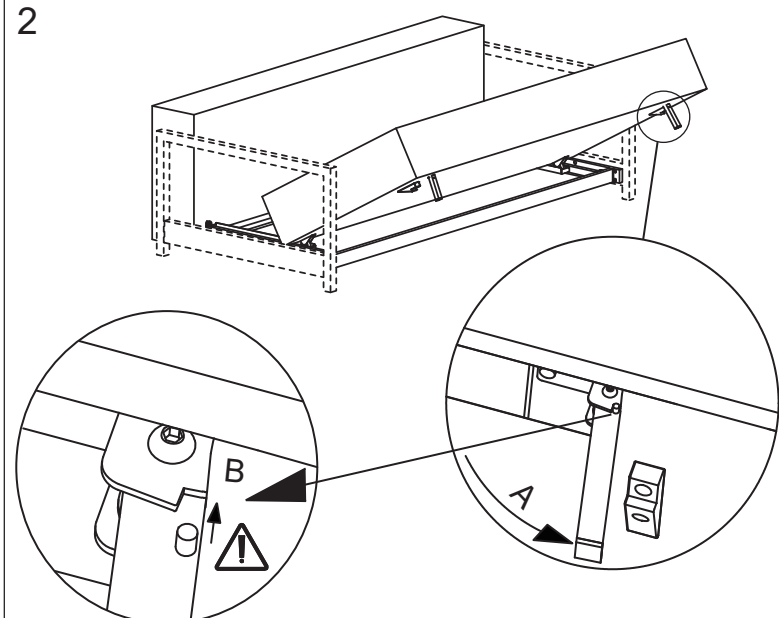


1

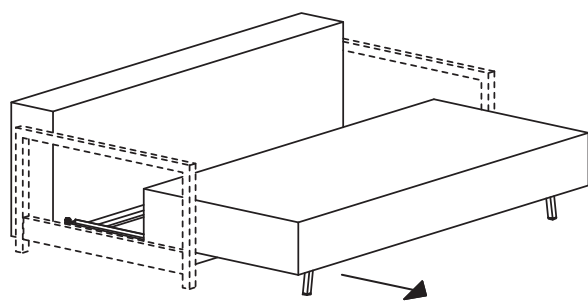


SIDDE-SITZEN-SIT-ASSISE

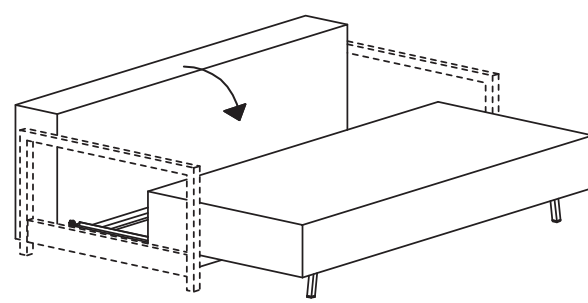
2



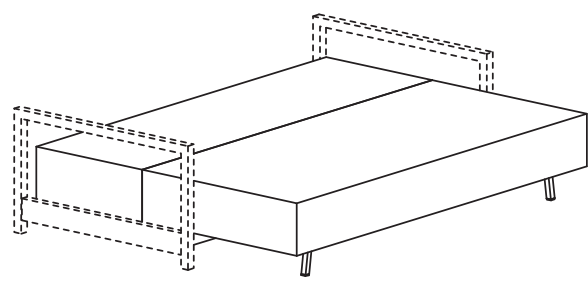
3



4



5



SOVE-SCHLAFEN-SLEEP-DORMIR

