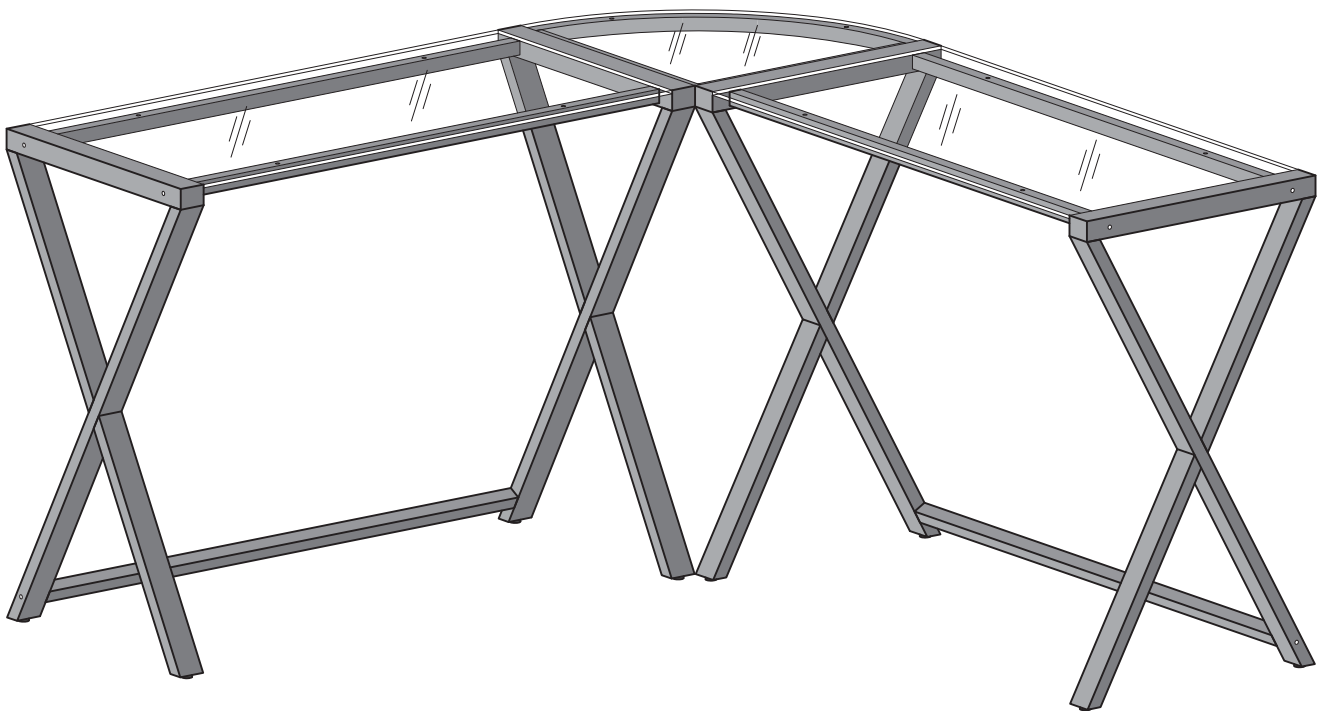


**WE** Walker  
Edison  
furniture company

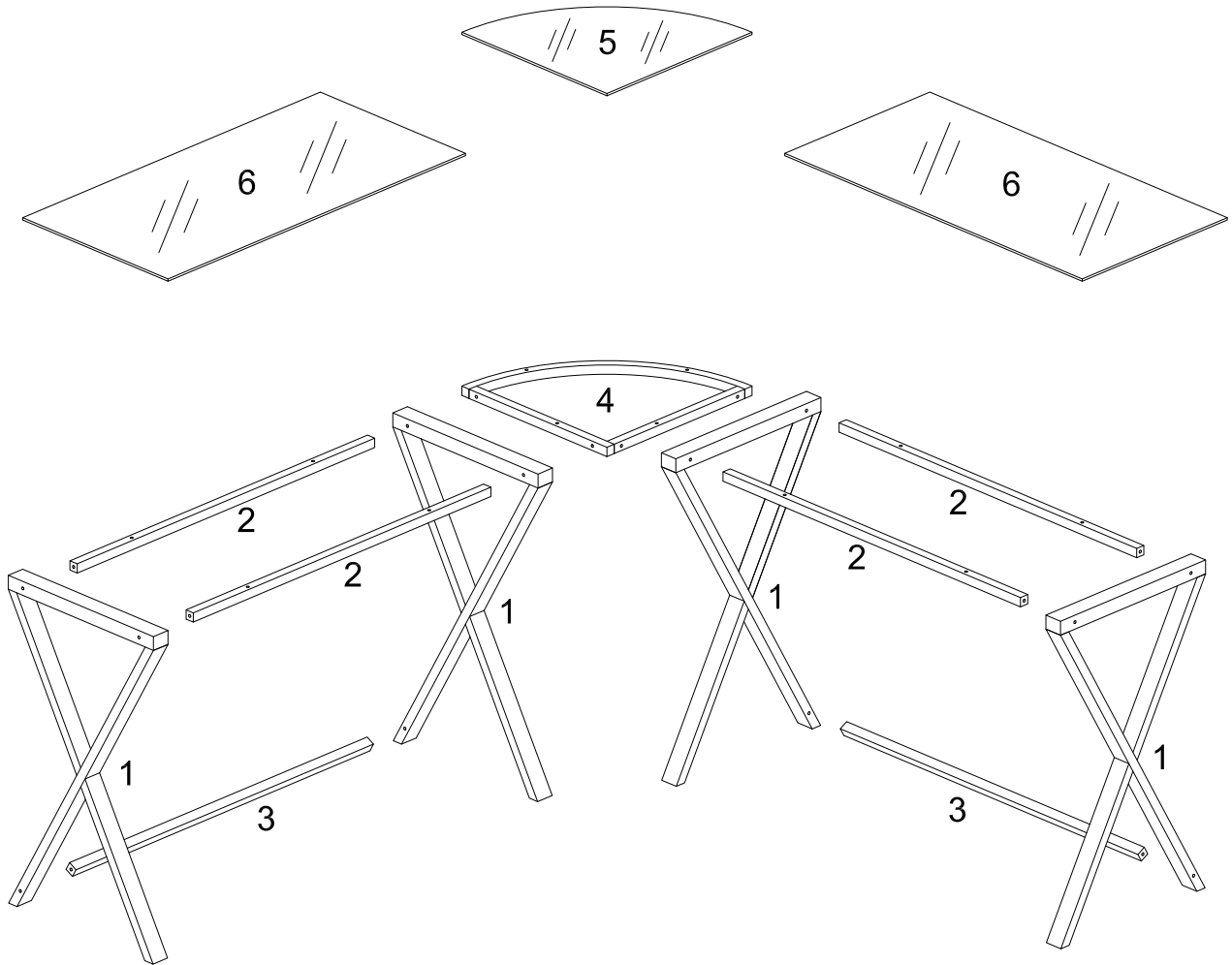
Item # :D51X29  
Assembly Instructions




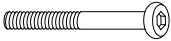

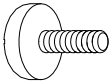

*For our most current instructions, to request missing, lost or broken parts, or for any other Customer Service issues, please visit our website at [www.walkeredison.com](http://www.walkeredison.com) or call us at 877-207-5906.*

Revised 12/2012

# Parts List

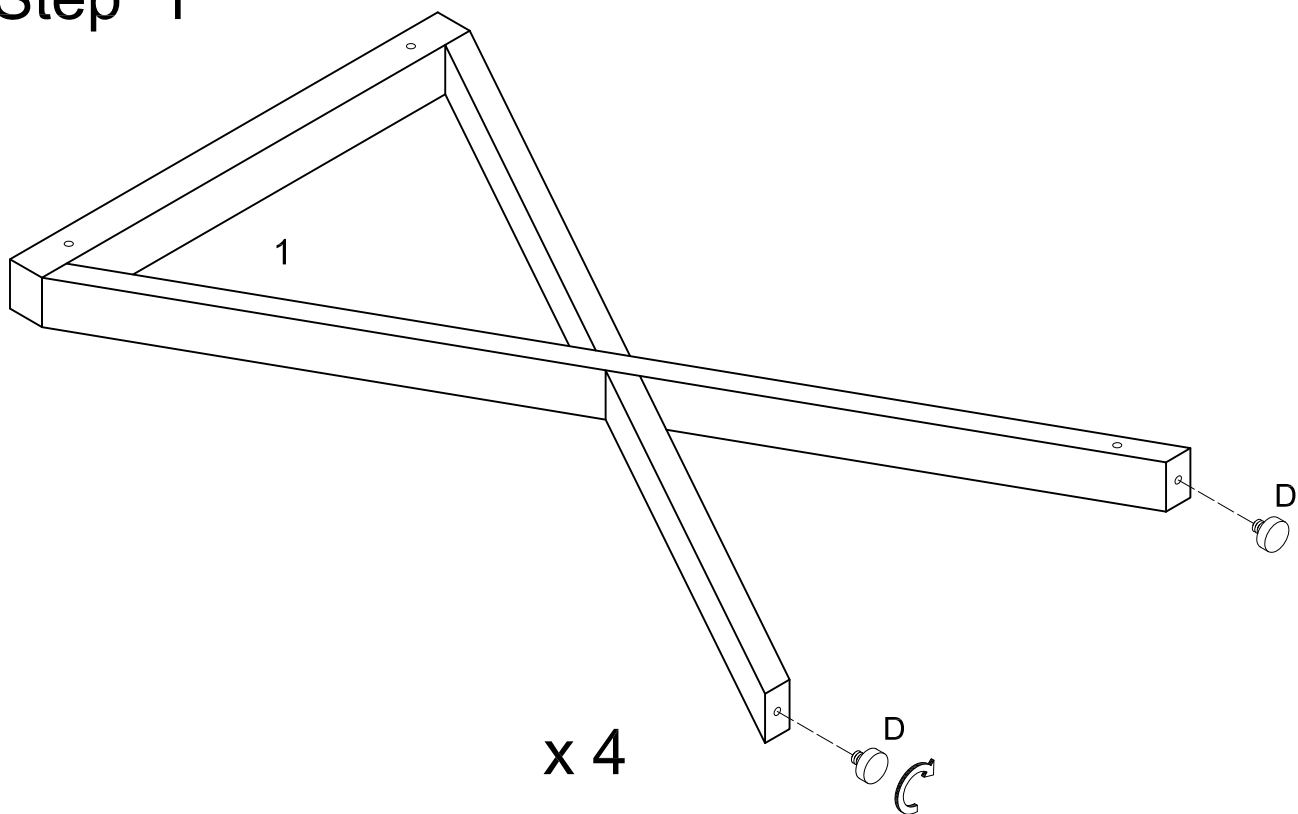


# Hardware List

A		M6*55(mm)	Short bolt	8 pcs
B		M6*70(mm)	Long bolt	4 pcs
C			Rubber suction cup	12 pcs
D			Desk feet	8 pcs
E		M4(mm)	Allen wrench	1 pc

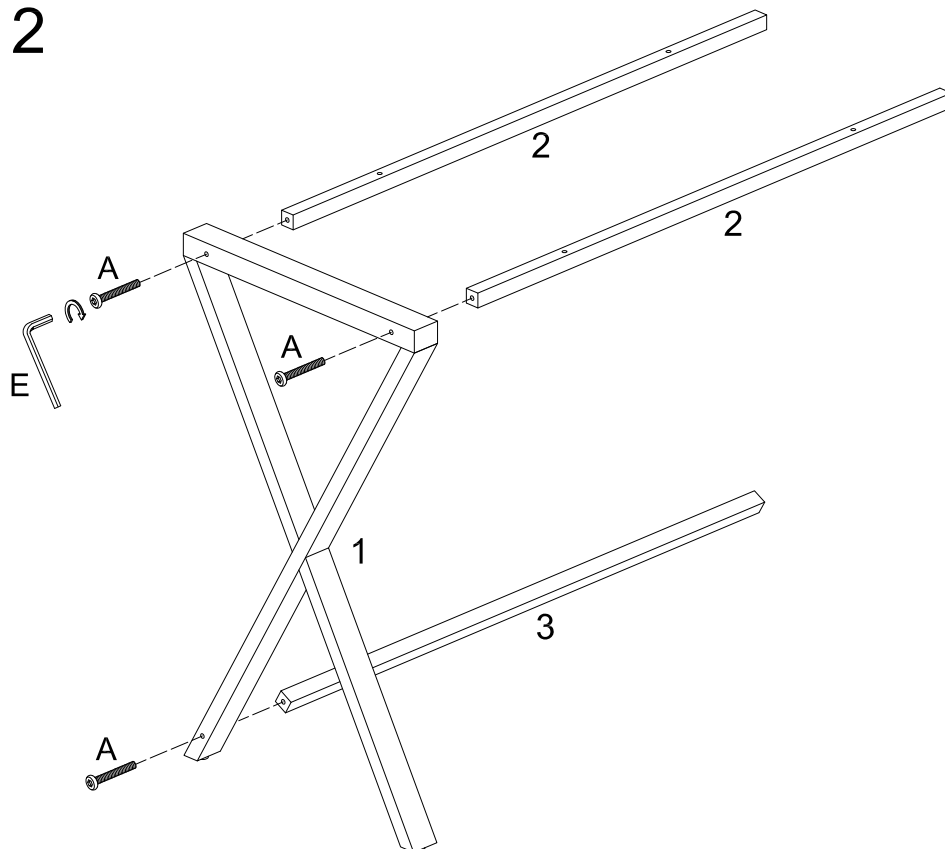
*The hardware quantities listed above are required for proper assembly.  
Some extra hardware may also have been included.*

# Step 1



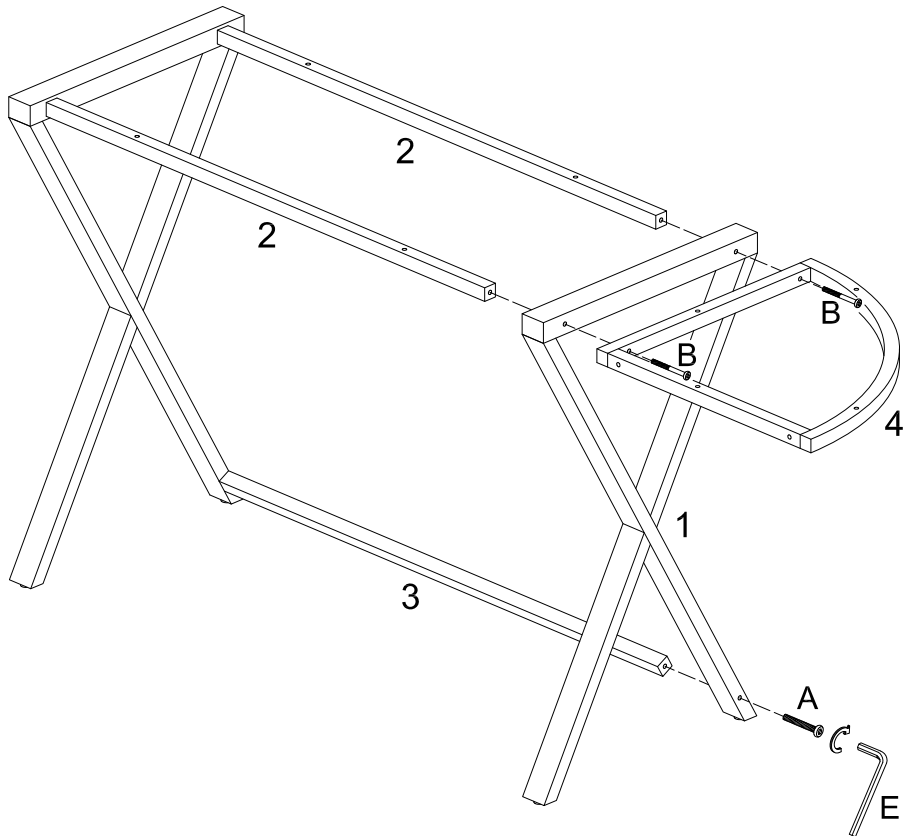
Screw feet (D) into legs (1).

# Step 2



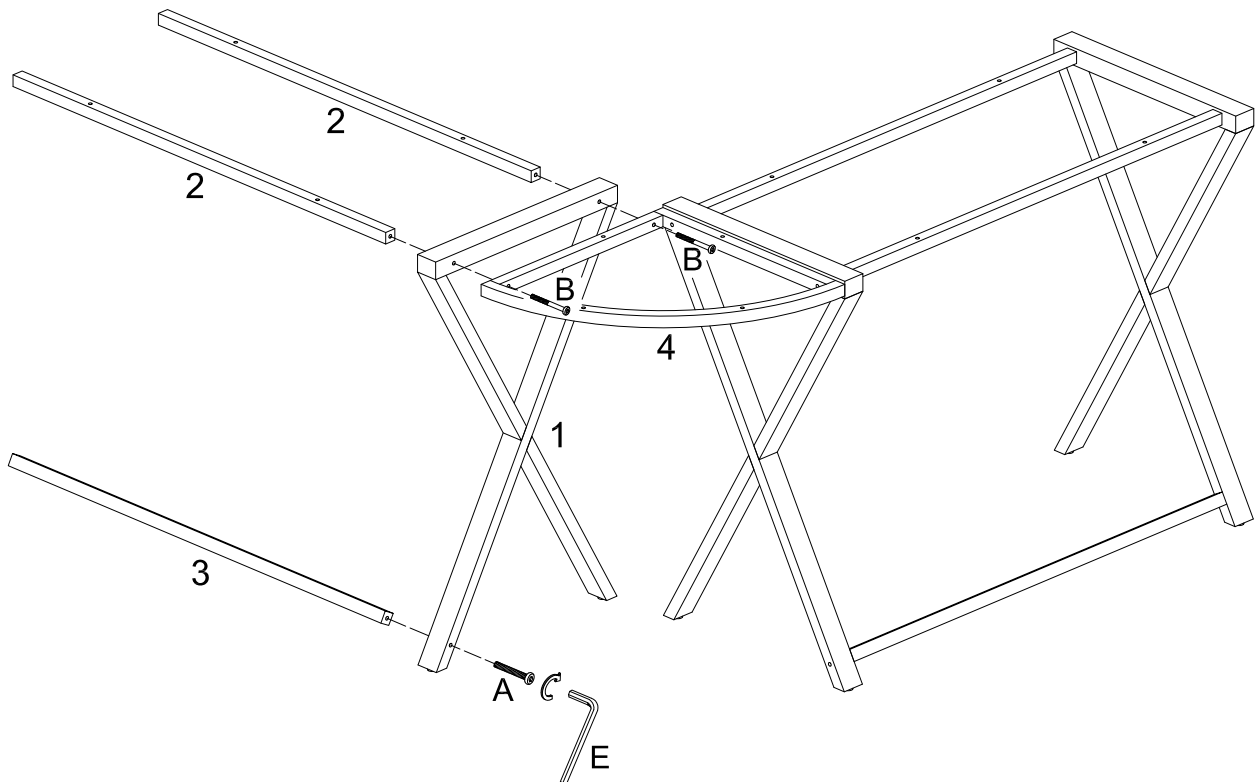
Attach upper crossbars (2) and lower crossbar (3) to legs (1) using short bolts (A) . Tighten short bolts (A) with wrench (E).

## Step 3



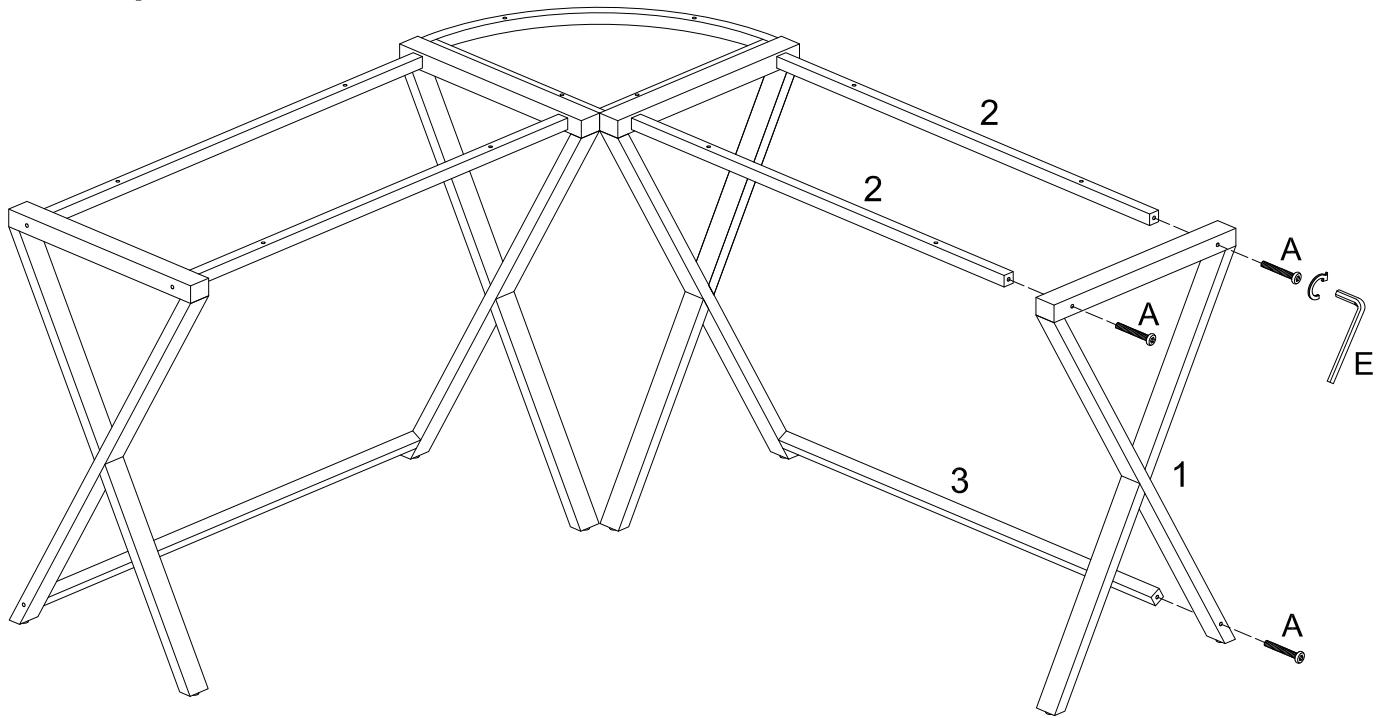
Attach leg (1) and corner frame (4) to the assembly from the previous step using long bolts (B) .Secure leg (1) to lower crossbar (3) using short bolt (A) . Tighten all bolts with wrench (E).

## Step 4



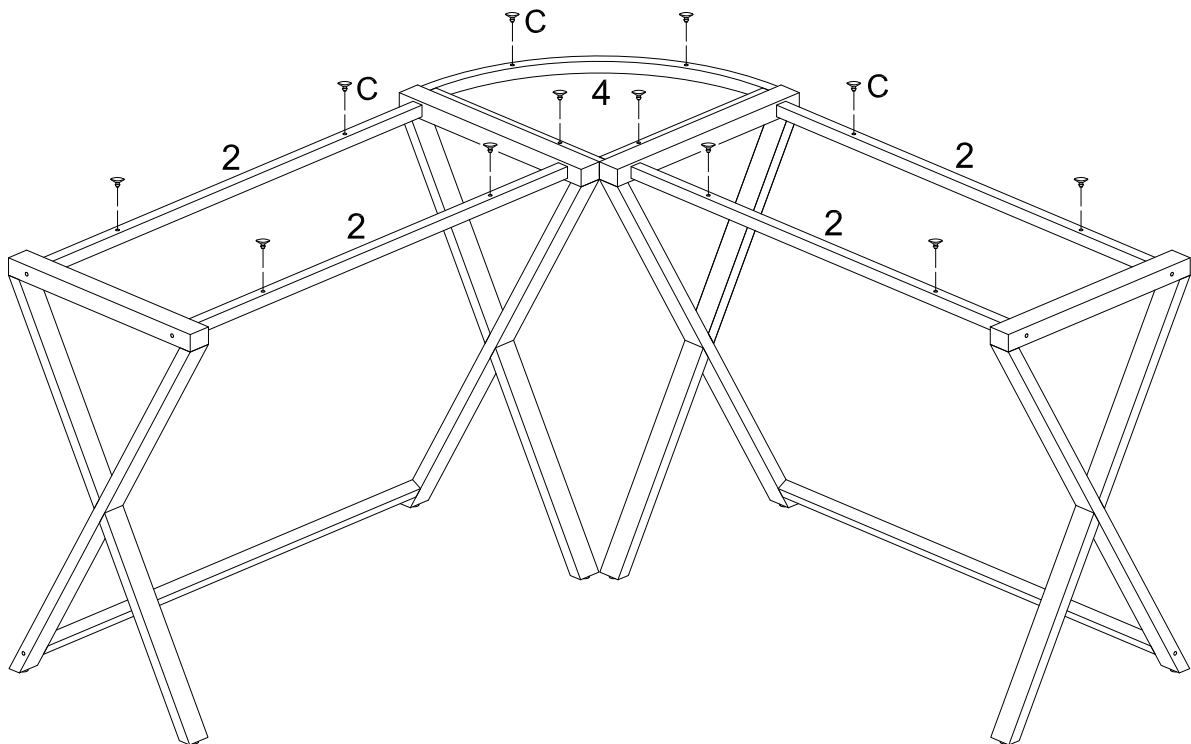
Attach leg (1) and crossbars (2) to corner frame (4) using long bolts (B) .Attach lower crossbar (3) to leg (1) using short bolt (A) . Tighten all bolts with wrench (E).

## Step 5



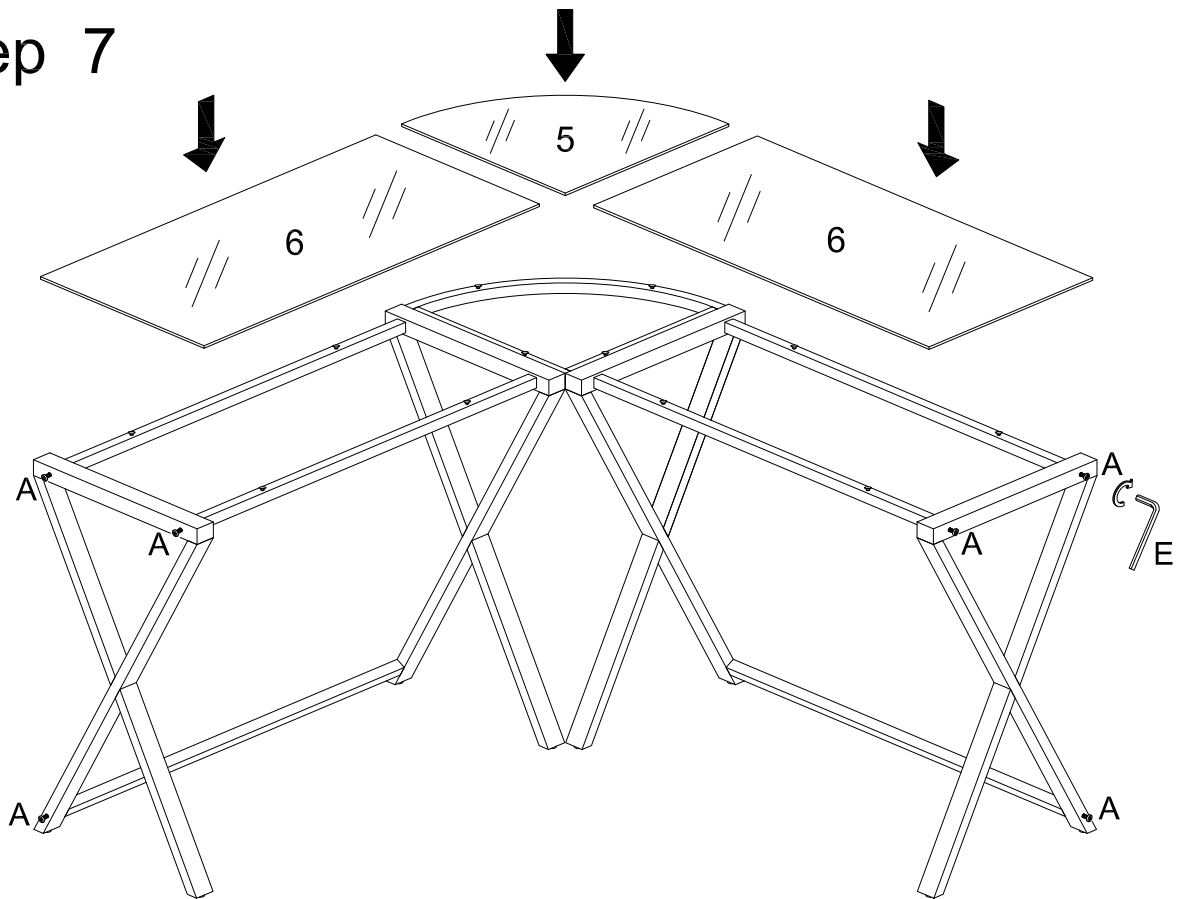
Attach leg (1) to upper crossbars (2) and lower crossbar (3) using short bolt (A) . Tighten short bolts (A) with wrench (E).

## Step 6



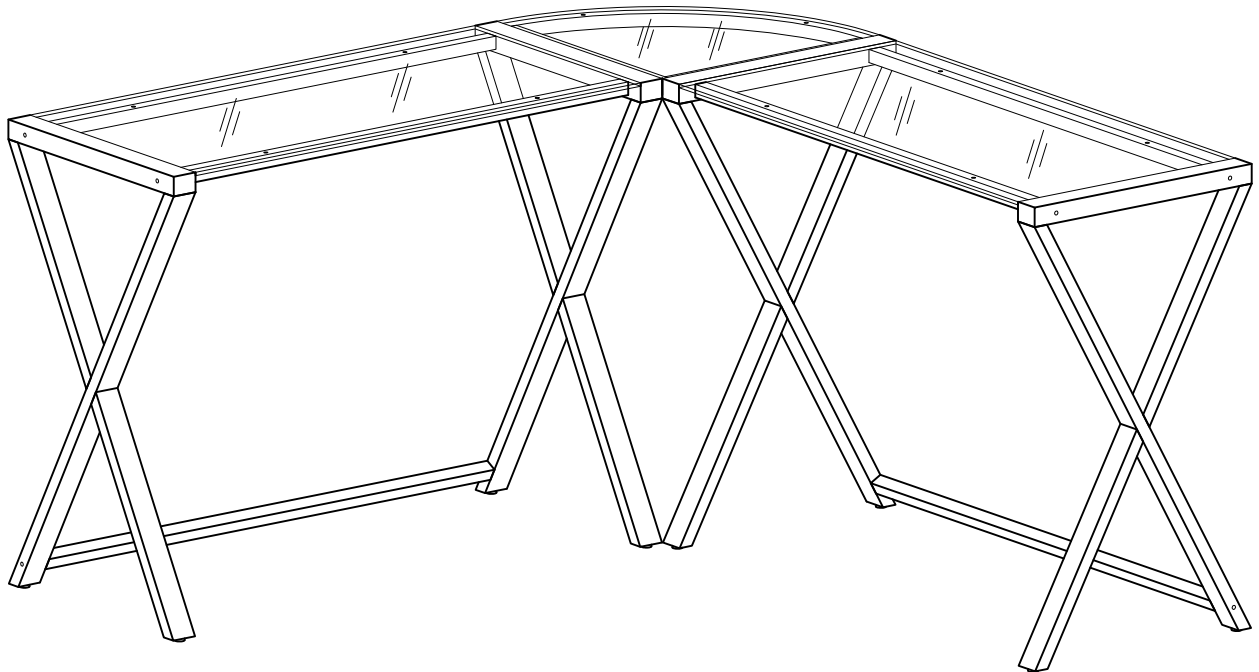
Insert rubber suction cups (C) into the desk frame as shown above.

## Step 7



Carefully lay glass (6) and corner glass (5) in place and gently press to secure.

## Step 8



## Final Assembly