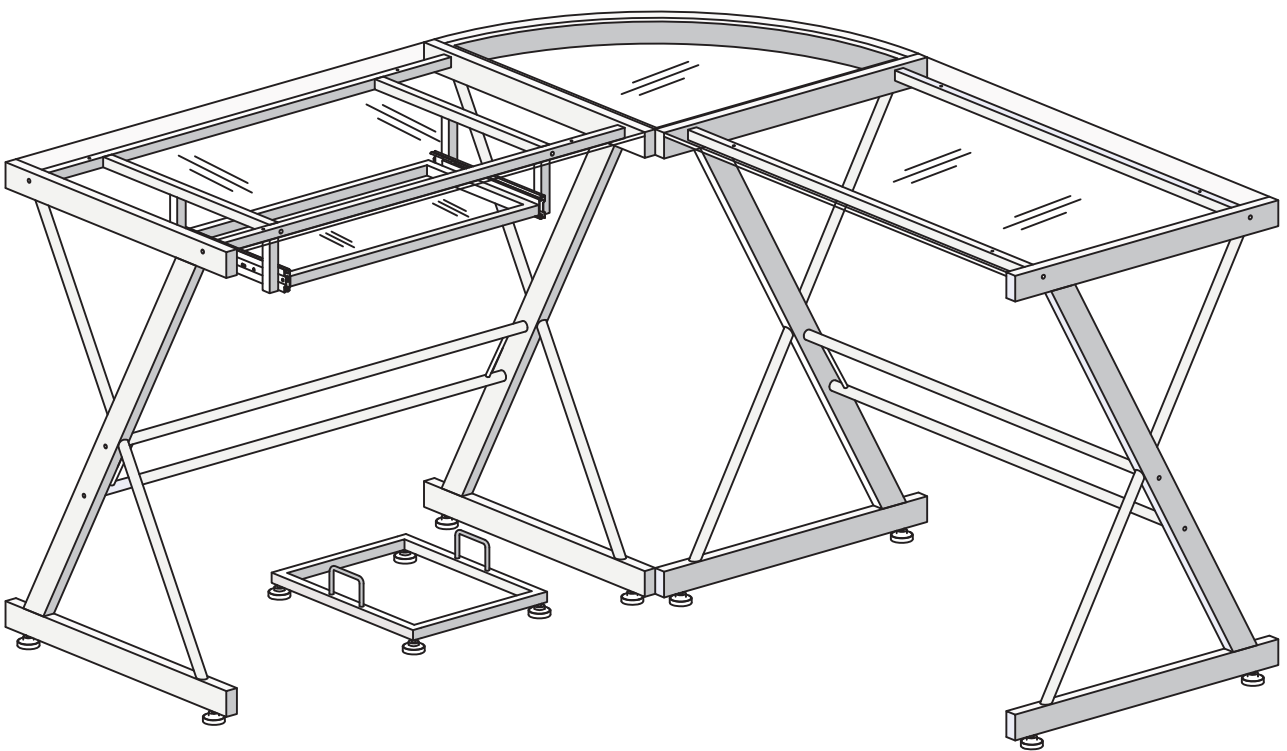


**W** Walker  
**E** Edison  
furniture company

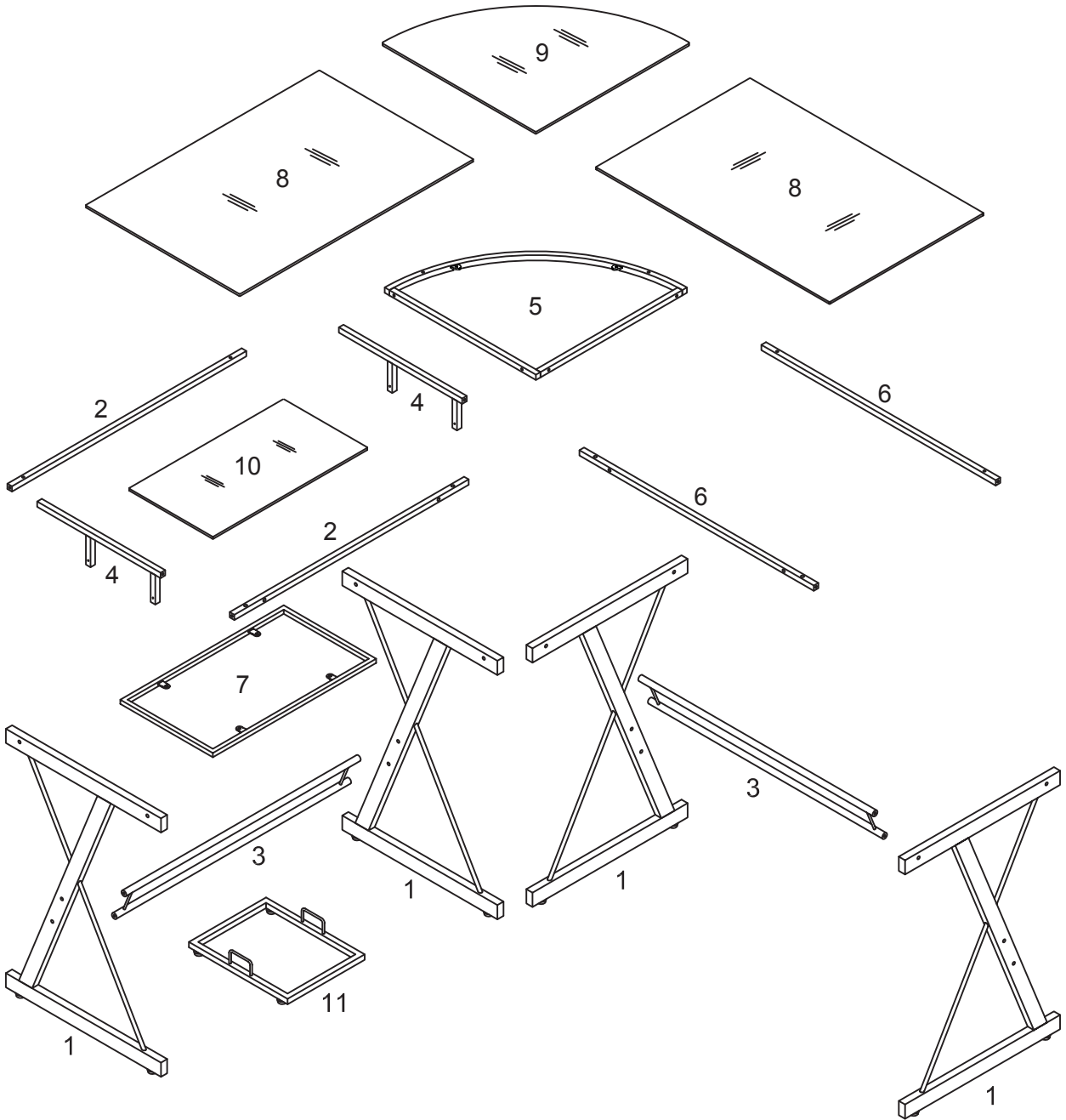
Item #: D51L29, D51Z29, D51B29  
Assembly Instructions




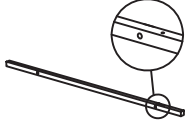

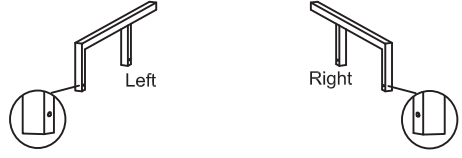


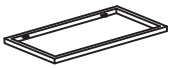




*For our most current instructions, to request missing, lost or broken parts, or for any other Customer Service issues, please visit our website at [www.walkeredison.com](http://www.walkeredison.com) or call us at 877-207-5906.*

Revised 02/2011

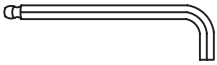


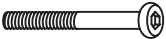

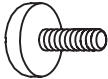
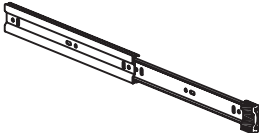
# Parts List



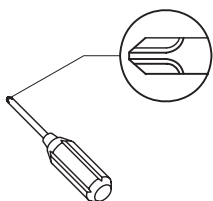
# Component List

1		Leg	4 pcs
2		Upper crossbar	2 pcs
3		Lower crossbar	2 pcs
4		Keyboard tray support	2 pcs
5		Corner frame	1 pc
6		Upper crossbar	2 pcs
7		Keyboard tray frame	1 pc
8		Glass	2 pcs
9		Corner glass	1 pc
10		Keyboard tray glass	1 pc
11		CPU stand	1 pc

# Hardware List

A		Wrench	1 pc	
B		M4*10(mm)	Short bolt	8 pcs
C		M6*45(mm)	Medium bolt	16 pcs
D		M6*60(mm)	Long bolt	4 pcs
E		Rubber suction cup	16 pcs	
F		Foot	12 pcs	
*G		Keyboard tray slider	2 pcs	

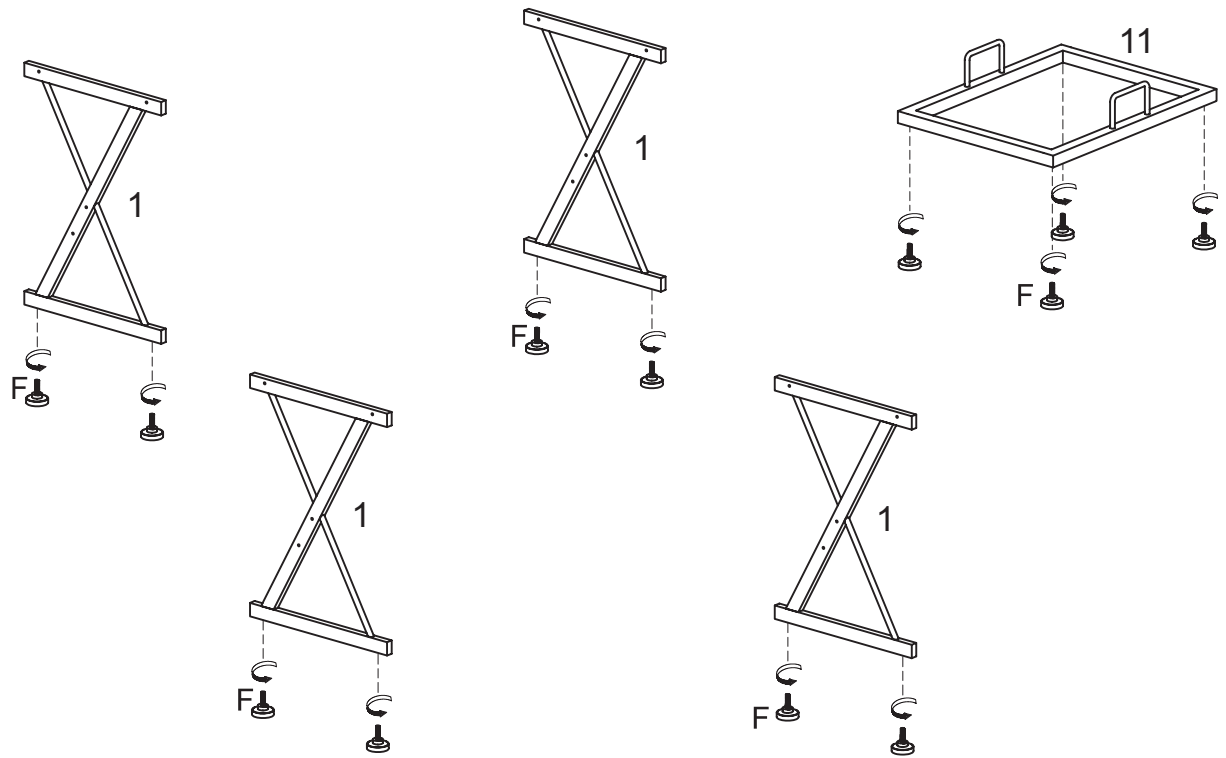
*\*Note: This piece comes preassembled for shipping purposes and must be disassembled to complete the desk assembly.*



A Phillips head screwdriver is required for assembly  
(not included)

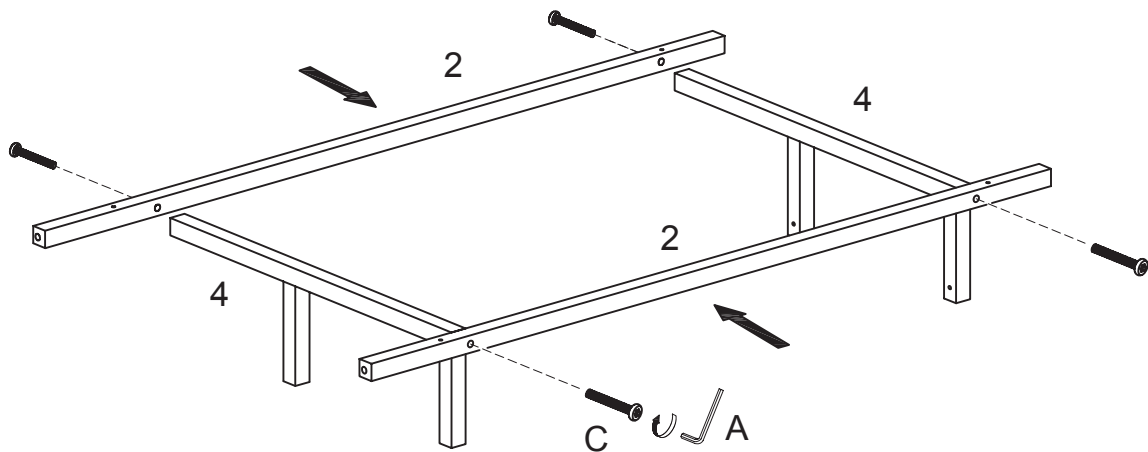
*The hardware quantities listed above are required for proper assembly.  
Some extra hardware may also have been included.*

## Step 1



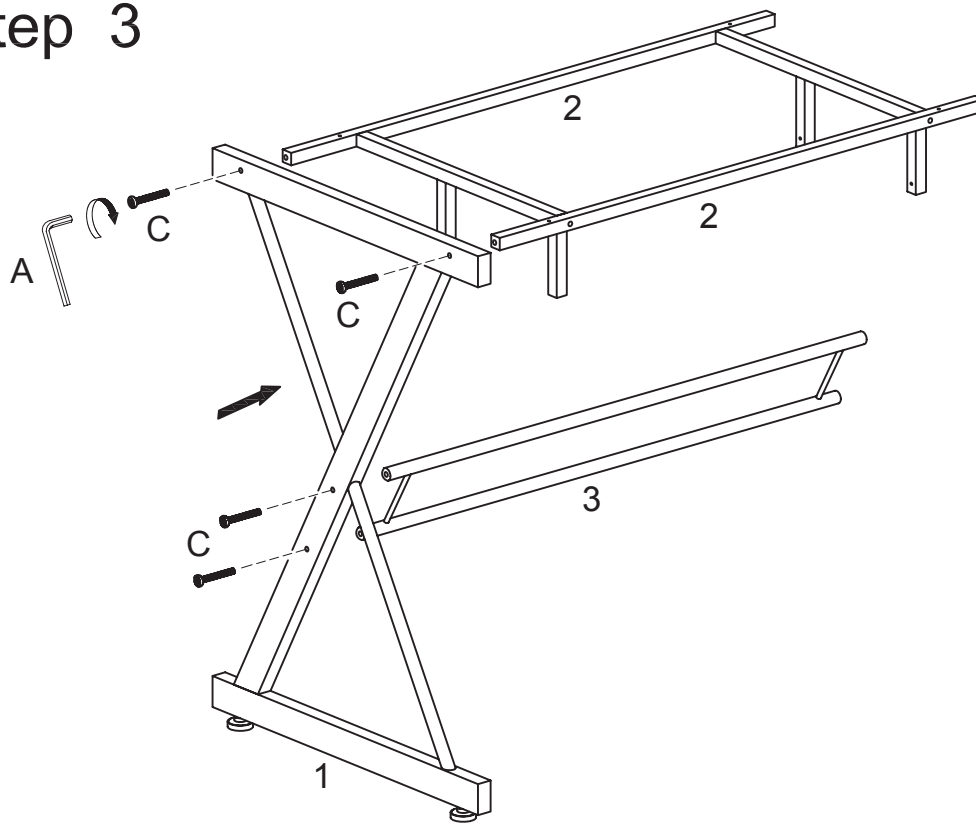
Screw feet (F) into legs (1) and CPU stand (11).

## Step 2



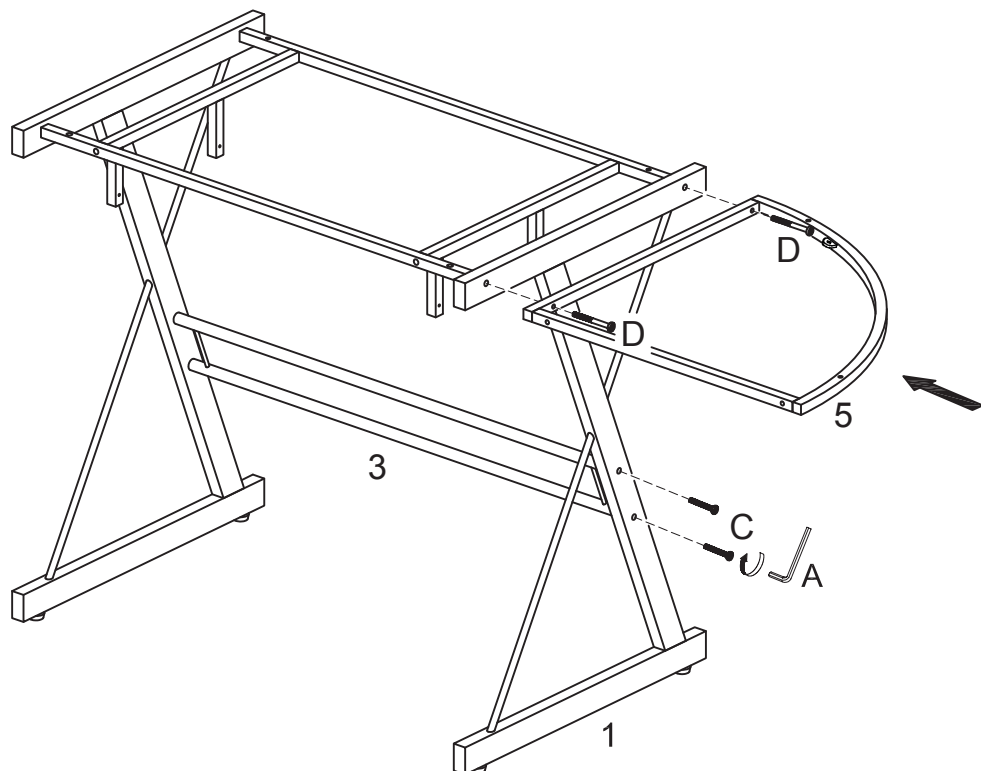
Attach upper crossbars (2) to keyboard tray supports (4) using medium bolts (C). Note the proper alignment of all bolt holes as shown above. Tighten medium bolts (C) with wrench (A).

## Step 3



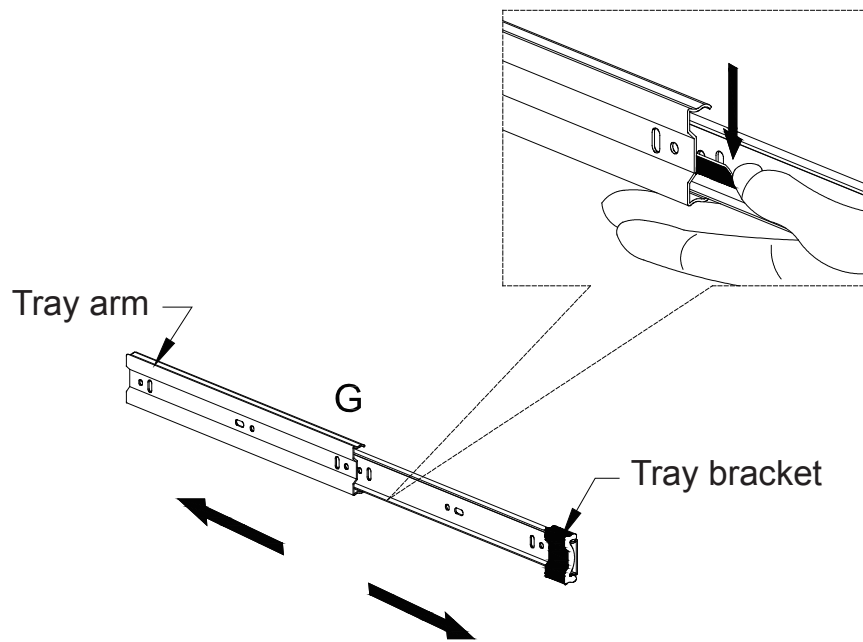
Attach upper crossbars (2) and lower crossbar (3) to leg (1) using medium bolts (C). Tighten medium bolts (C) with wrench (A).

## Step 4



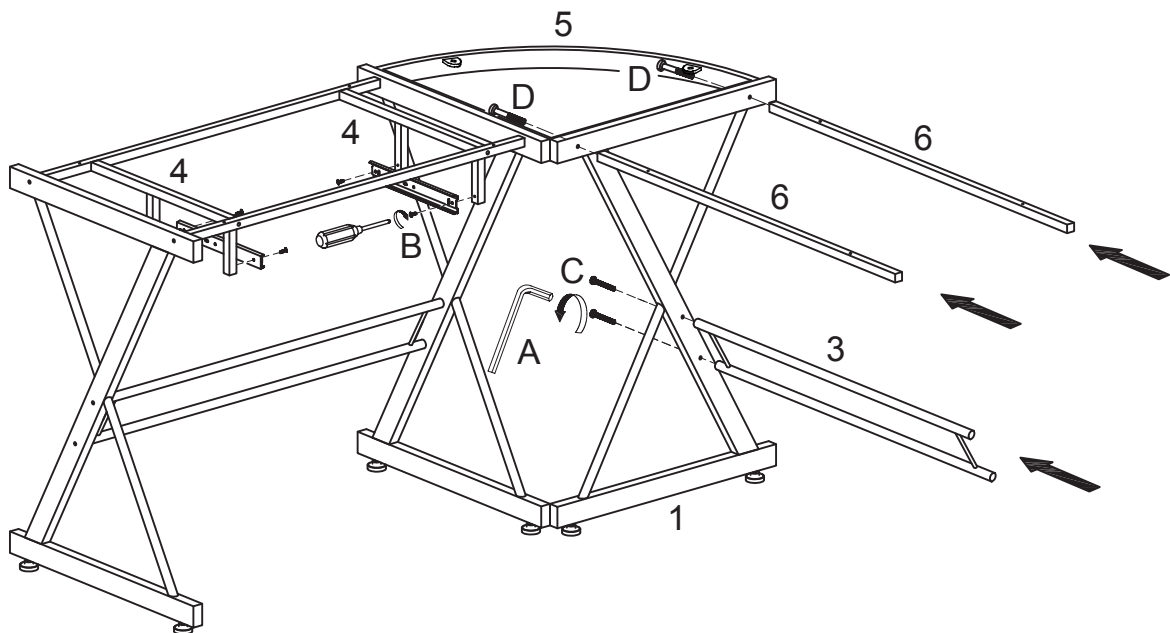
Attach leg (1) and corner frame (5) to the assembly from the previous step using long bolts (D). *Ensure that the glass supports of corner frame (5) are facing up (reference Steps 8 and 9).* Secure leg (1) to lower crossbar (3) using medium bolts (C). Tighten all bolts with wrench (A).

## Step 5



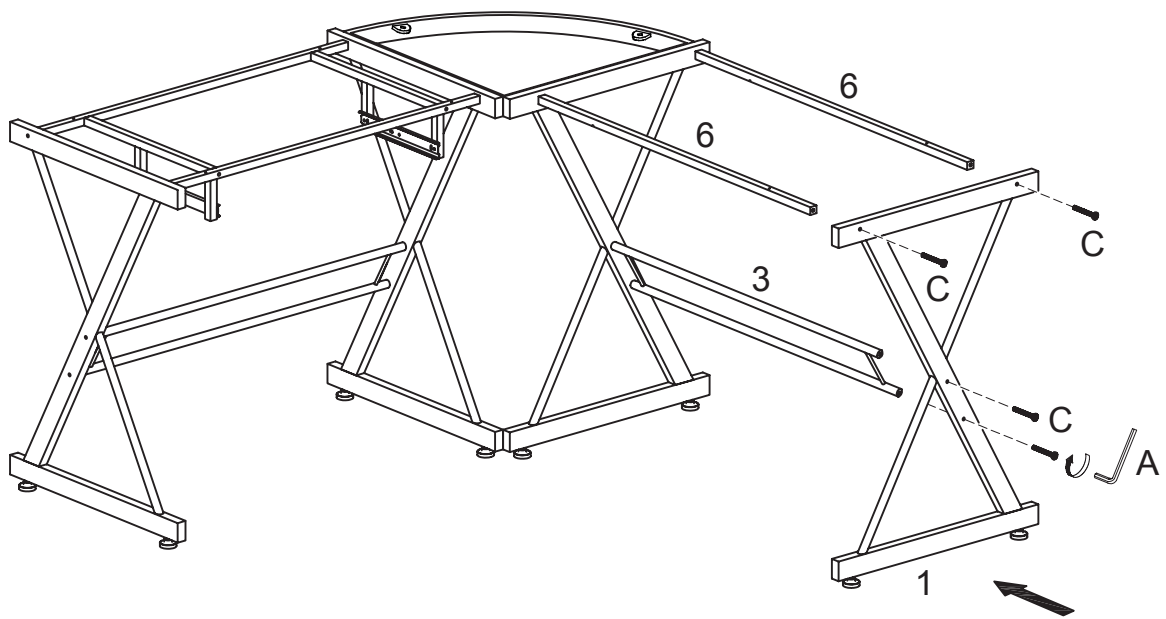
Disassemble keyboard tray slider (G) by sliding the tray arm and tray bracket apart. Depress the small lever of the tray bracket and carefully pull the two pieces apart. Repeat this process for both keyboard tray sliders (G).

## Step 6



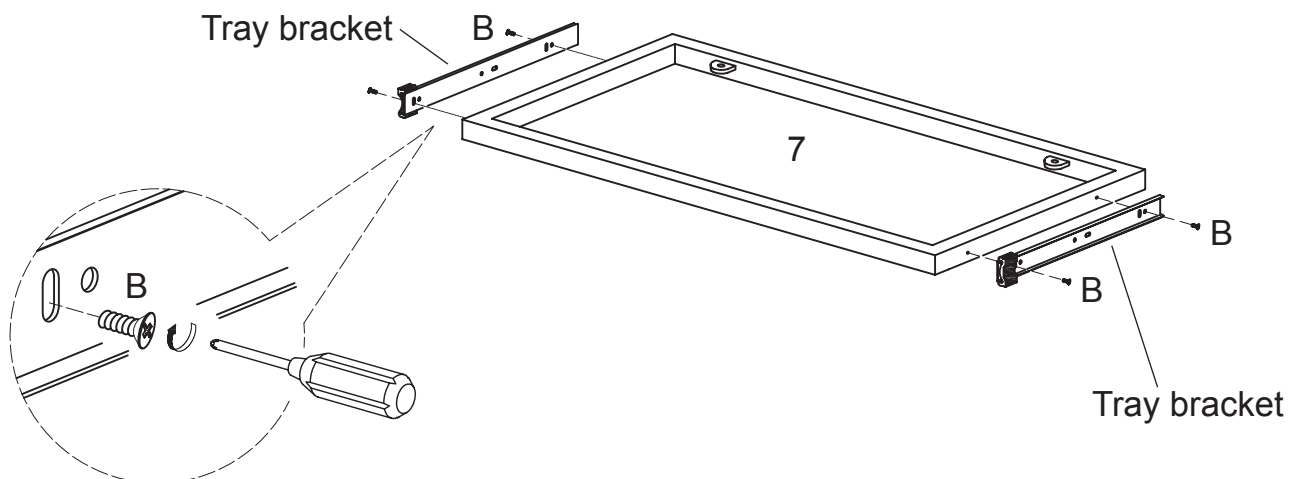
Attach the tray arms of keyboard tray sliders (G) to keyboard tray supports (4) using short bolts (B). *Ensure that the open end of each tray arm is near the front of the desk.* Tighten short bolts (B) with a screwdriver. Attach leg (1) and crossbars (6) to corner frame (5) using long bolts (D). Attach lower crossbar (3) to leg (1) using medium bolts (C). Tighten all bolts (C,D) with wrench (A).

## Step 7



Attach leg (1) to upper crossbars (6) and lower crossbar (3) using medium bolts (C). Tighten medium bolts (C) with wrench (A).

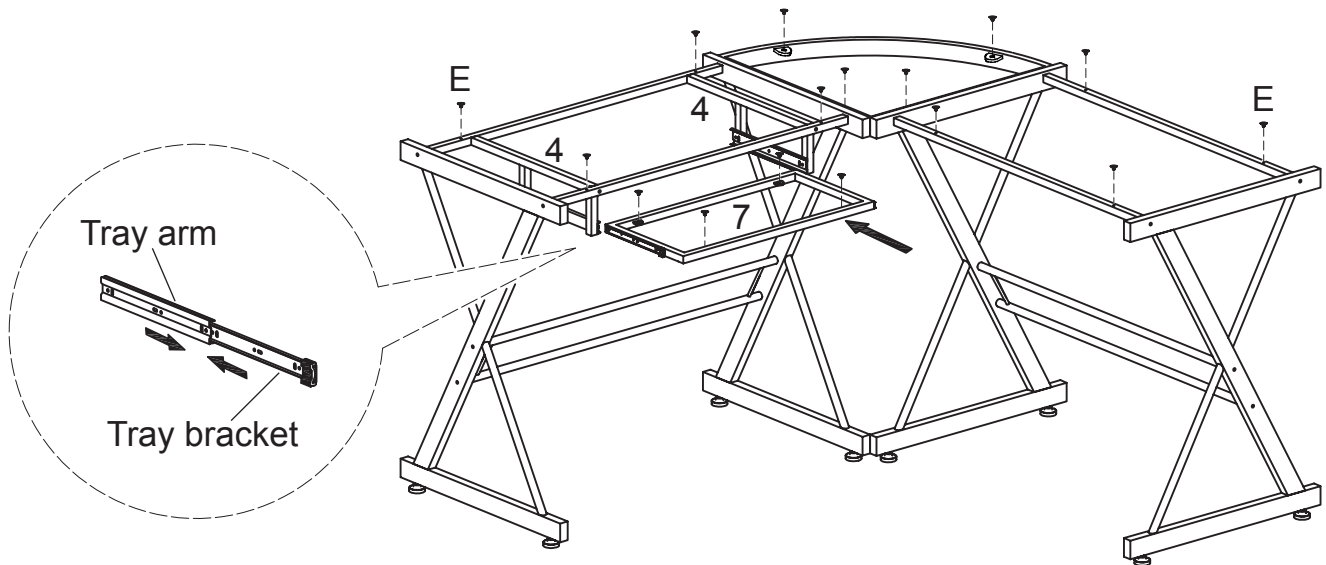
## Step 8



Attach the tray brackets of keyboard tray sliders (G) to keyboard tray frame (7) using short bolts (B). Ensure that the open end of each tray bracket is near the back of keyboard tray frame (7). Tighten short bolts (B) with a screwdriver.

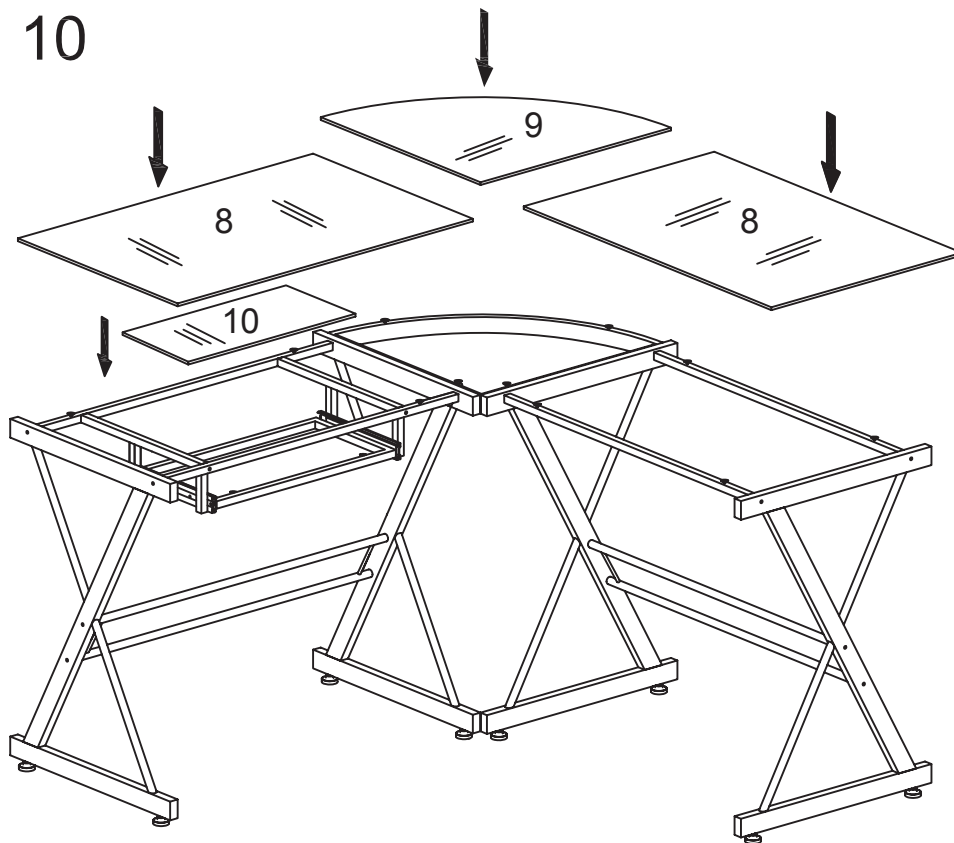


## Step 9



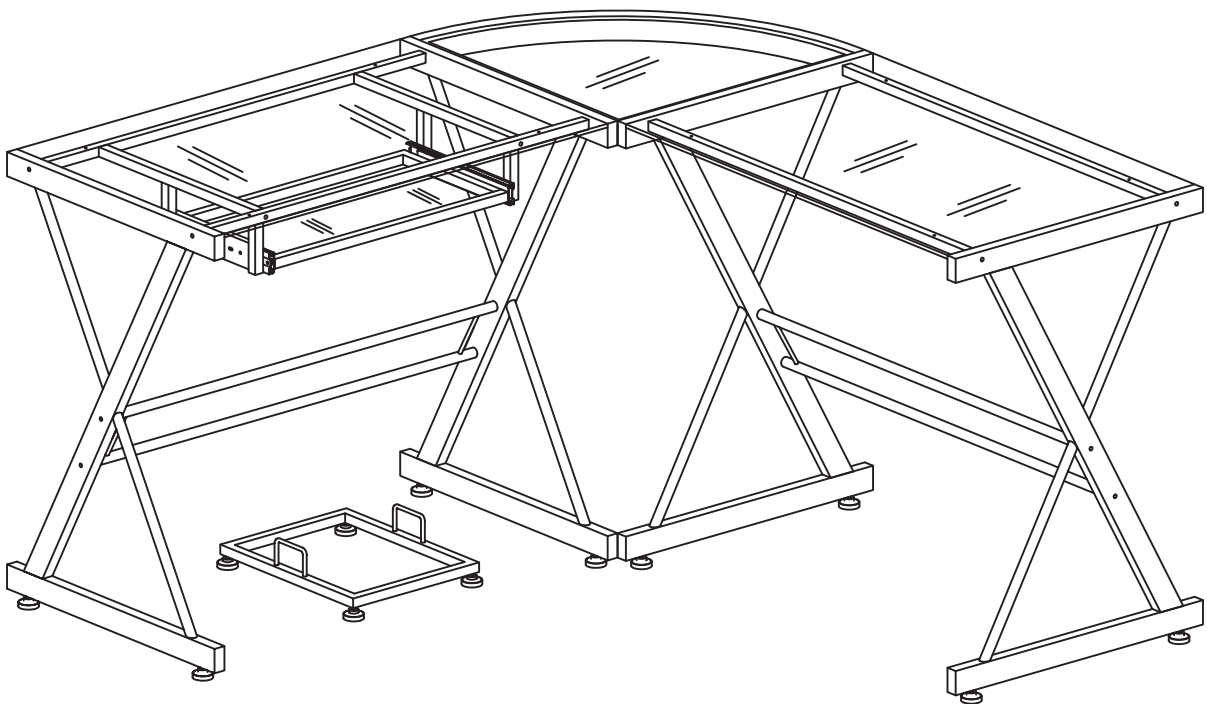
Carefully slide keyboard tray frame (7) into place. The tray brackets attached to keyboard tray frame (7) will slide into the tray arms attached to the keyboard tray supports (4). Insert rubber suction cups (E) into the desk frame as shown above.

## Step 10



Carefully lay keyboard tray glass (10) in place and gently press to secure. Carefully lay glass (8) and corner glass (9) in place and gently press to secure.

# Step 11



Final Assembly