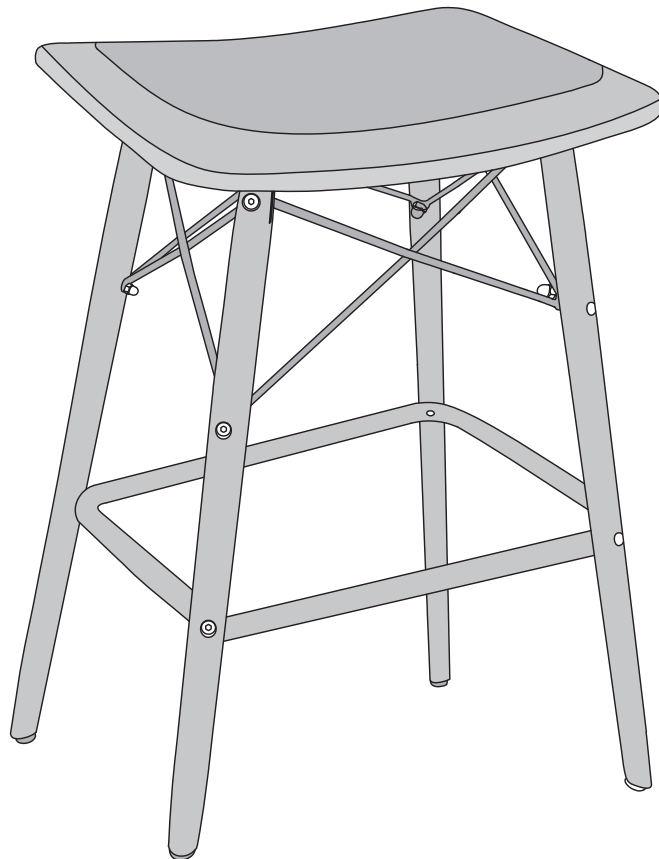


WE Walker[®]
Edison
furniture company

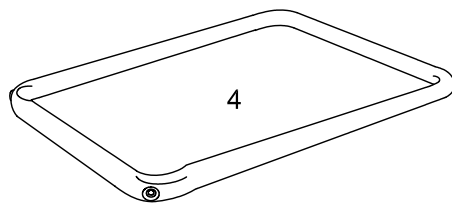
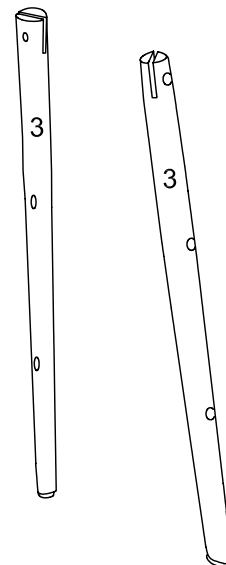
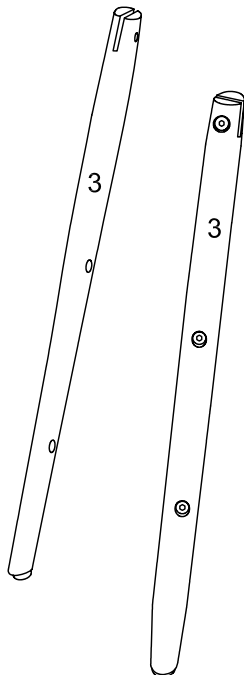
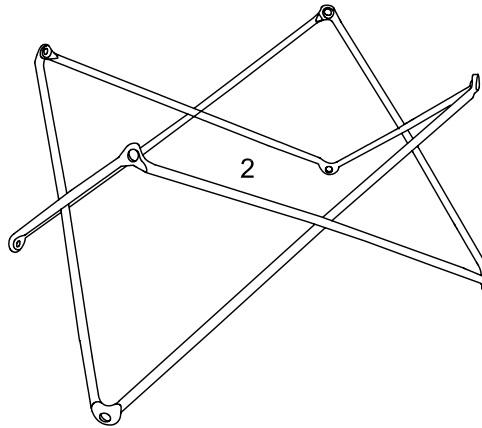
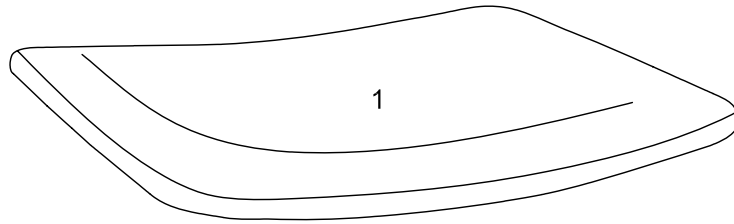
Item # : CHRM26
Assembly Instructions



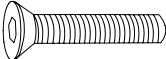
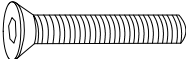

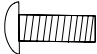






*To request missing, lost or broken parts , or for any other customer service issues,
please visit our website at www.walker-edison.com or call us at 877-207-5906.*

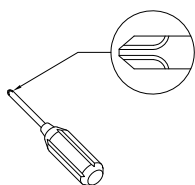
Revised 05/2016

Parts List



Hardware List

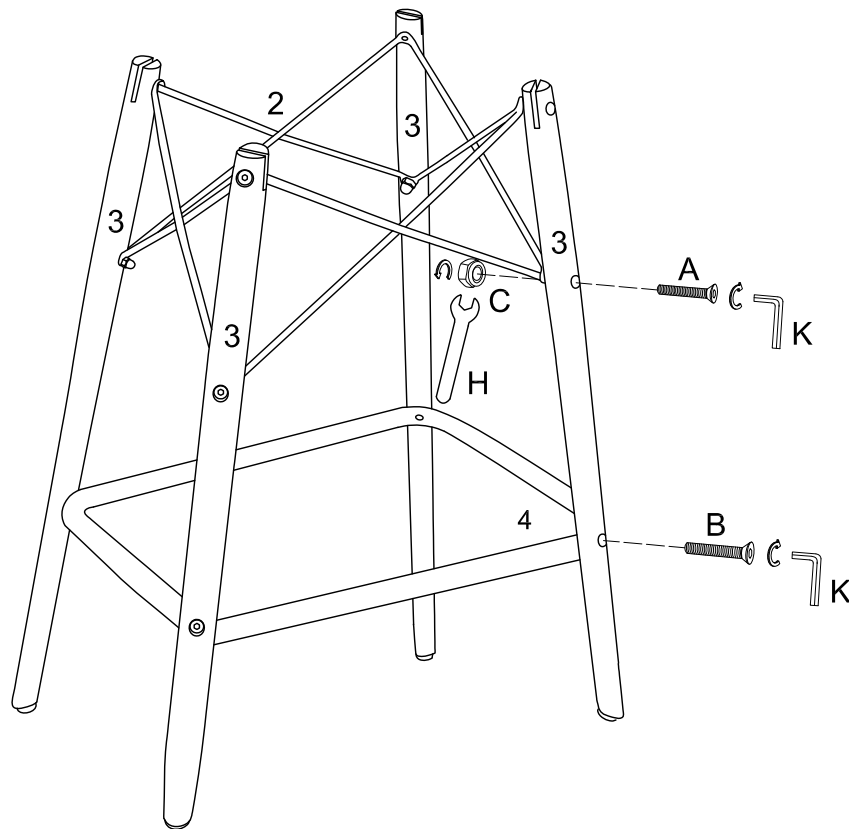
A		M6*40mm	Bolt	8 pcs
B		M6*45mm	Bolt	4 pcs
C			Nut	8 pcs
D		M6*16mm	Bolt	4 pcs
E			Spring washer	4 pcs
F			Washer	4 pcs
G			L shape metal plate	4 pcs
H		M6*30	Wrench	1 pc
J		M5mm	Wrench	1 pc
K		M4mm	Wrench	1 pc



Philips head screwdriver required for assembly
(not included)

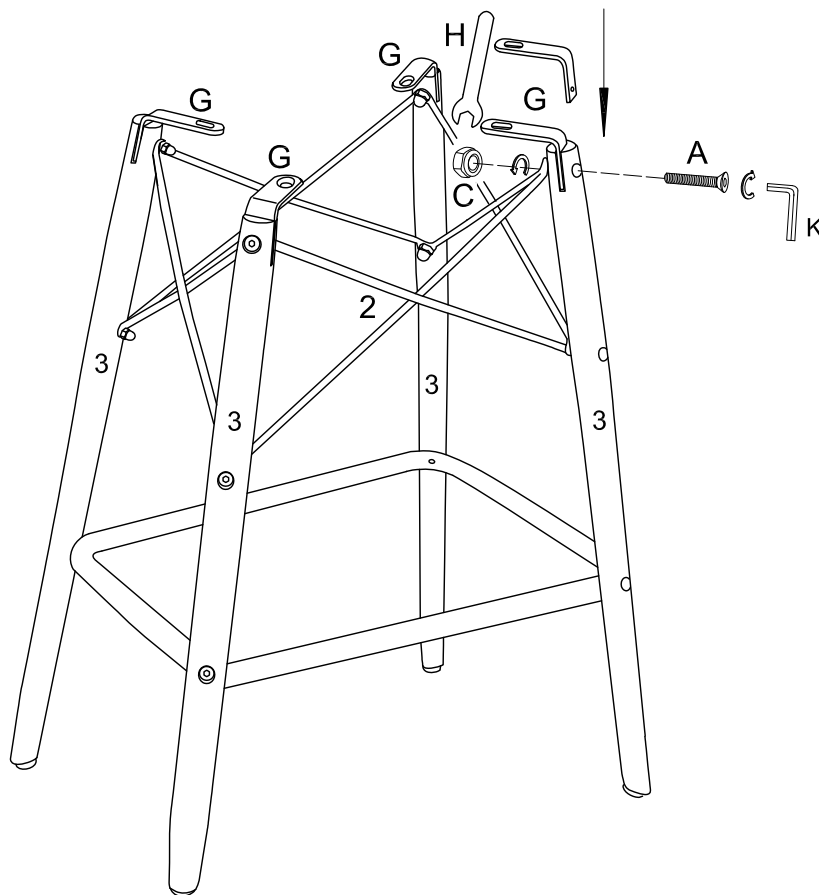
*The hardware quantities listed above are required for proper assembly.
Some extra hardware may also have been included.*

Step 1



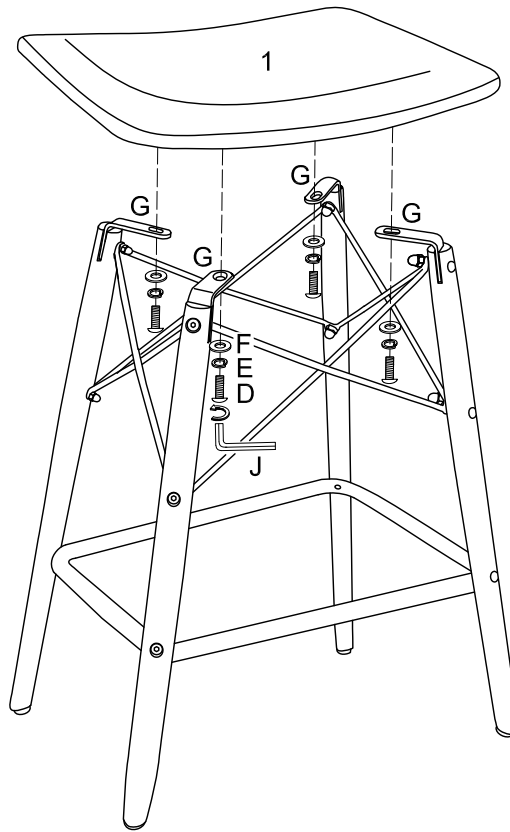
Use bolts (B) and wrench (K) to secure the metal frame (4) to the legs (3). Use bolts (A), wrench (K), nuts (C) and wrench (H) to assemble the metal frame (2) to the wooden legs (3) as shown in the diagram.

Step 2



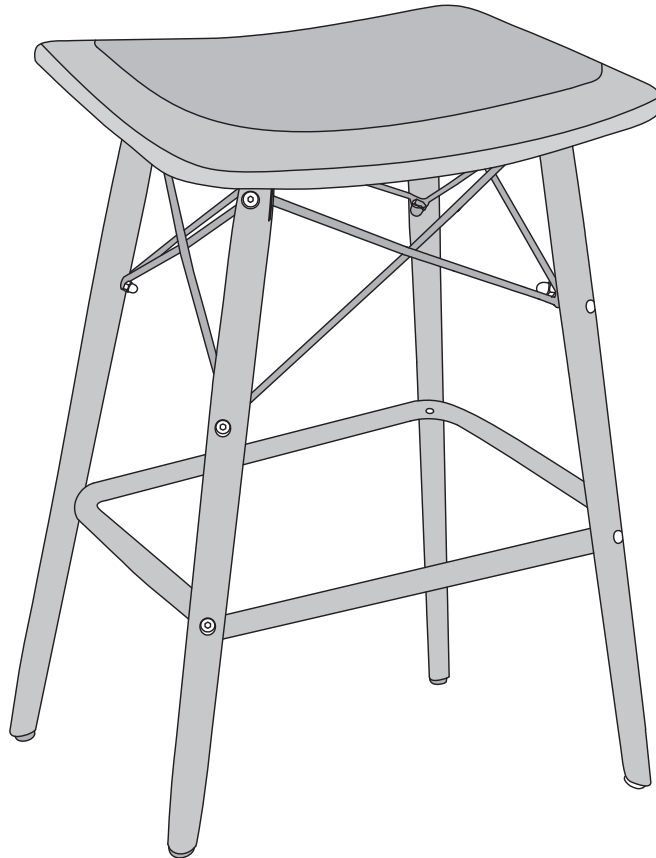
Insert the L shape metal plate (G) into the legs (3) secure it by using bolts (A), wrench (K), nuts (C) and wrench (H).

Step 3



Place the seating panel (1) on top of the L shape metal plate (G) secure it by using washers (F), spring washers (E), bolts (D) and wrench (J).

Step 4



Final Assembly