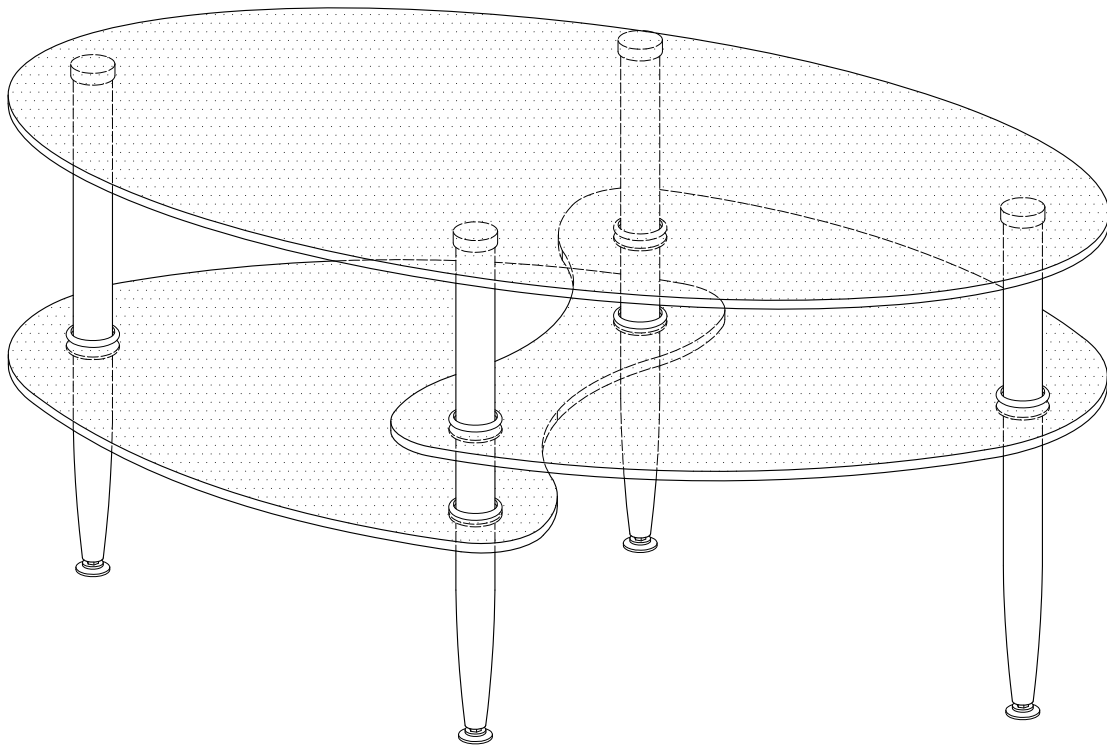


**WE** Walker  
Edison  
furniture company

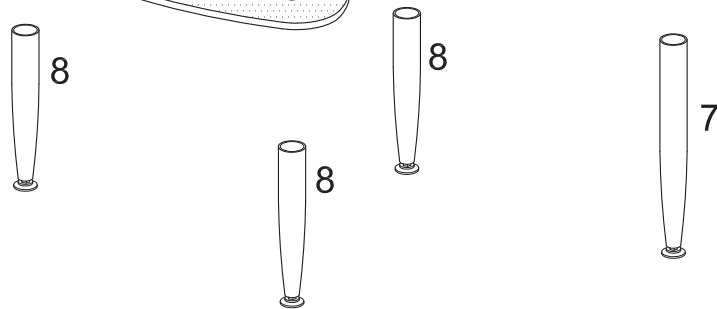
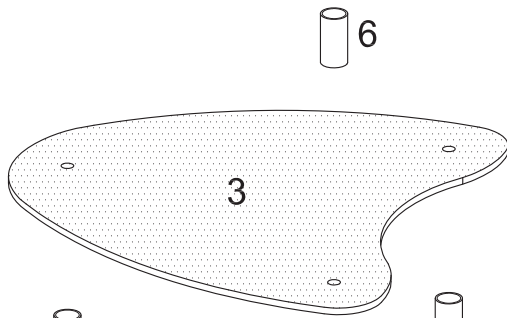
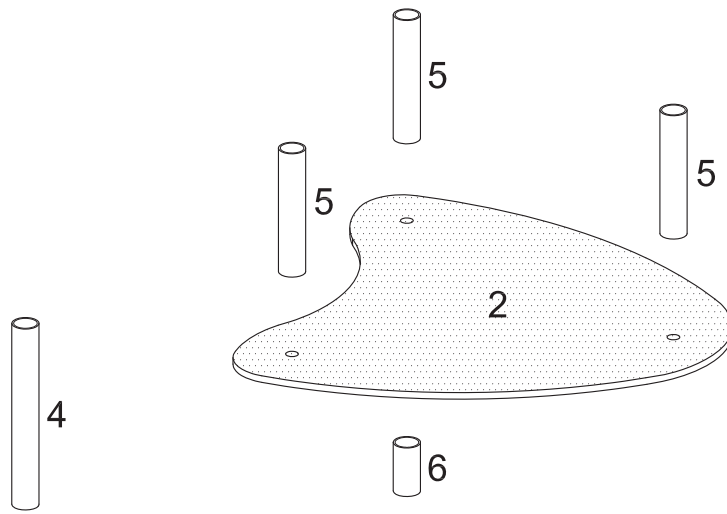
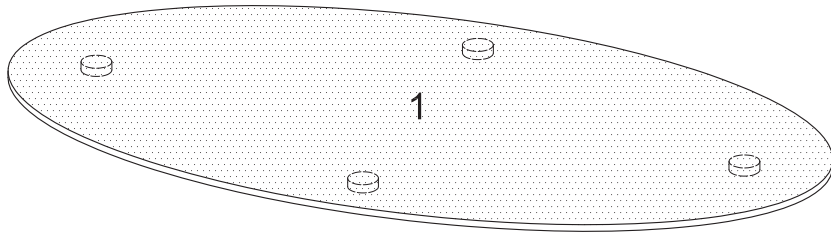
Item #: C38B4  
Assembly Instructions






*For our most current instructions, to request missing, lost or broken parts, or for any other Customer Service issues, please visit our website at [www.walkeredison.com](http://www.walkeredison.com) or call us at 877-207-5906.*

*Revised 082010*

# Parts List

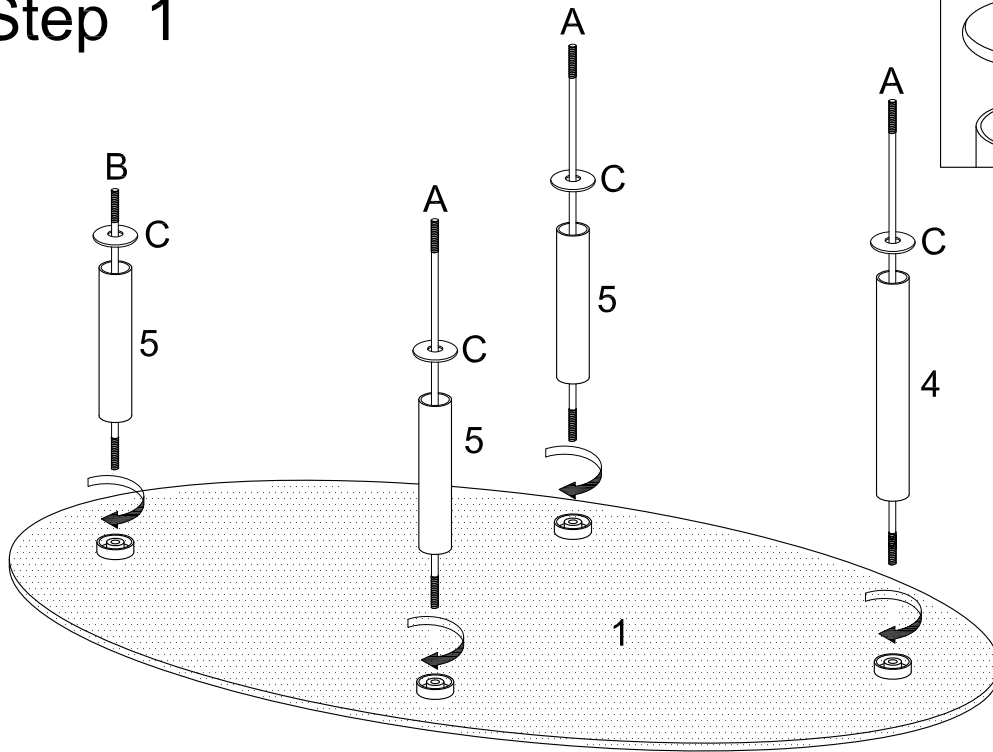


# Hardware List

A	 M8 x 260mm	Long rod	3 pcs
B	 M8 x 180mm	Short rod	1 pc
C		Decorative ring	12 pcs

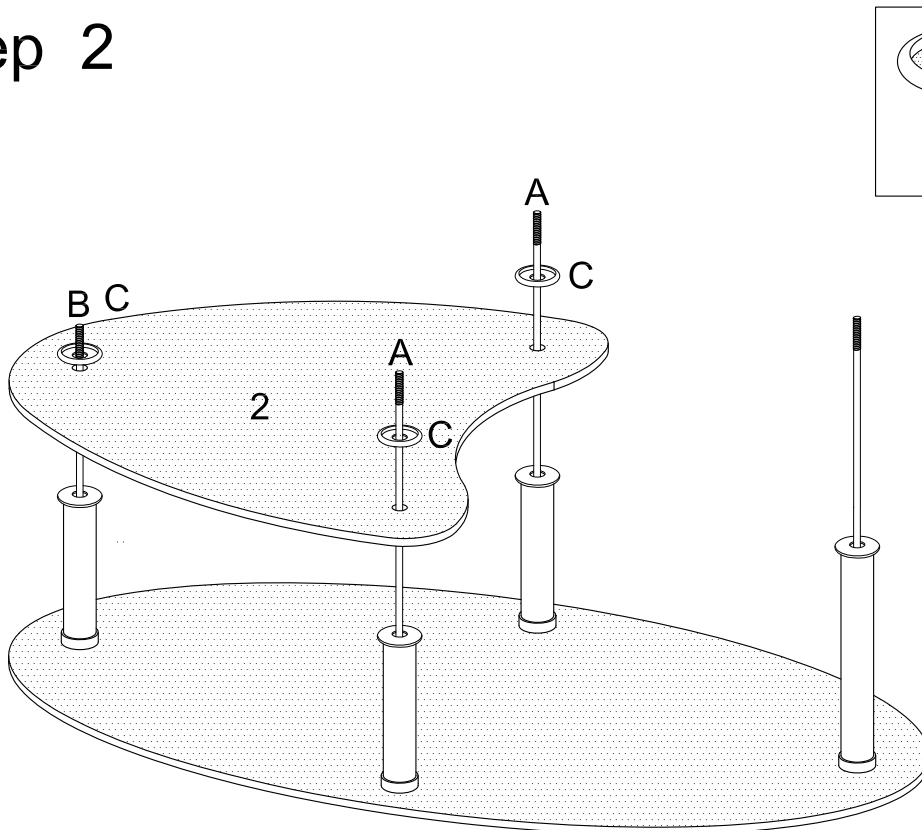
*The hardware quantities listed above are required for proper assembly. Some extra hardware may also have been included.*

# Step 1



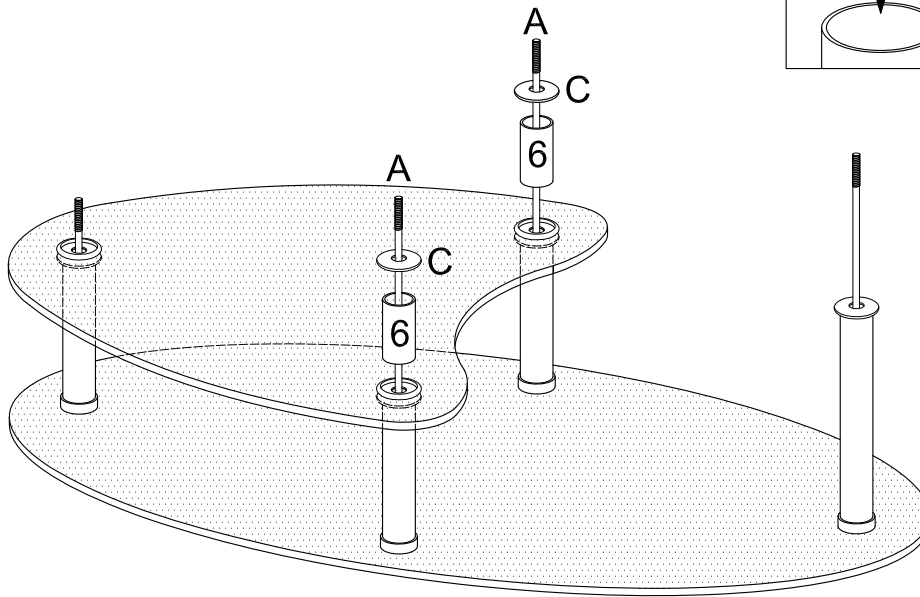
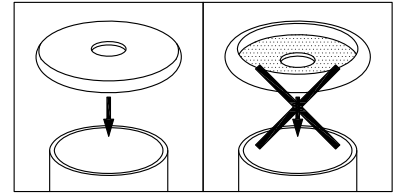
Carefully lay top glass (1) up-side-down on a soft surface. Screw short rod (B) into the left plate of top glass (1). Screw long rods (A) into the middle and right plates of top glass (1). Slide cylinders (5) onto short rod (B) and middle long rods (A). Slide cylinder (4) onto right long rod (A). Slide decorative rings (C) onto rods (A,B) and snap onto cylinders (4,5).

# Step 2



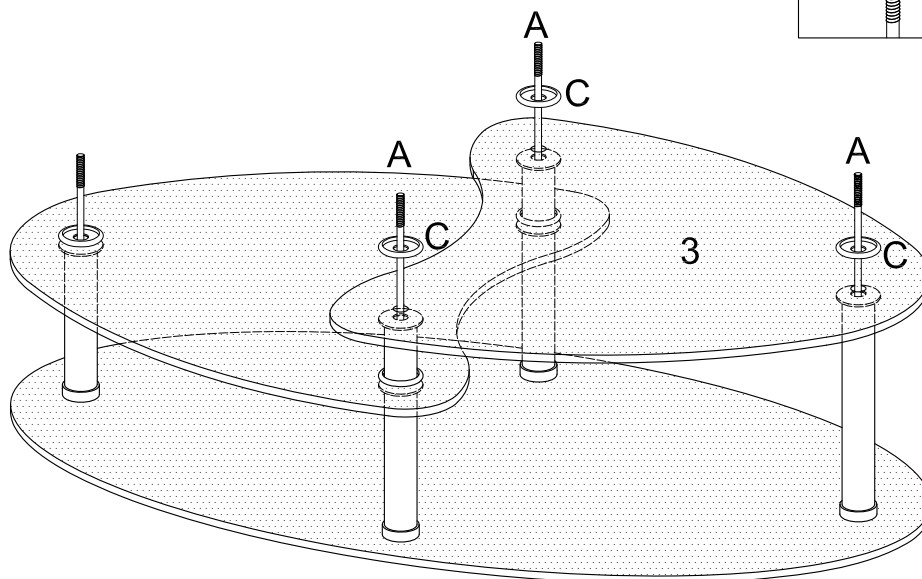
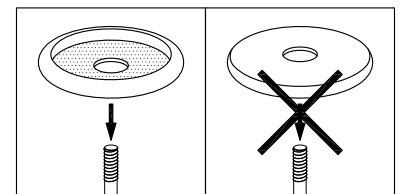
Slide glass (2) then decorative rings (C) onto short rod (B) and middle long rods (A).

# Step 3



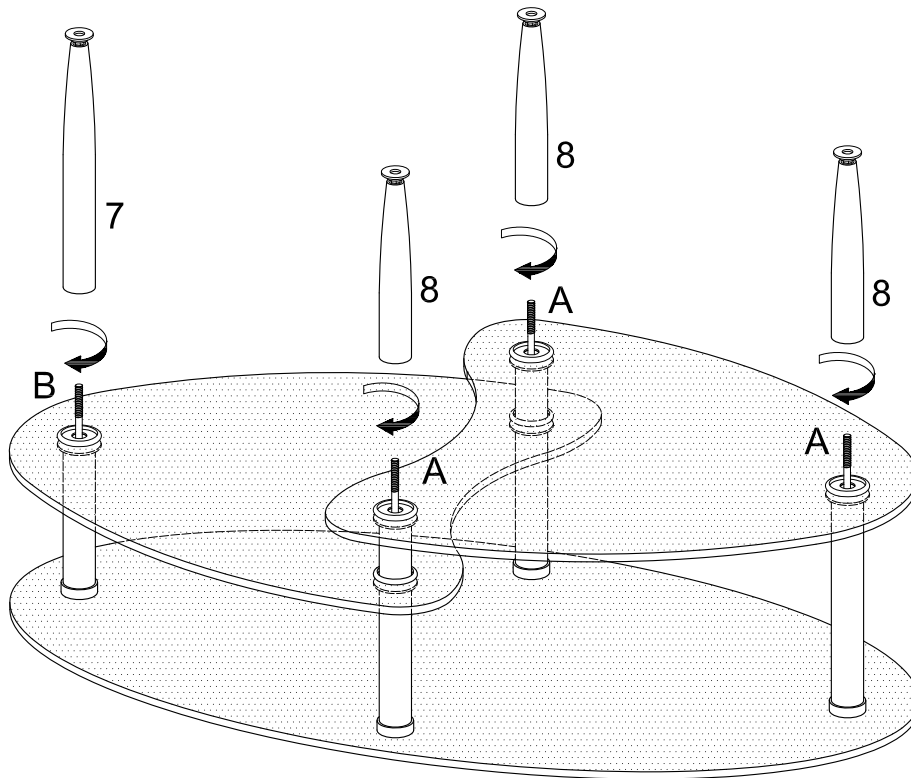
Slide cylinders (6) onto middle long rods (A). *Ensure that cylinders (6) fit snugly into the decorative rings placed in the previous step.* Slide decorative rings (C) onto middle long rods (A) and snap onto cylinders (6).

# Step 4



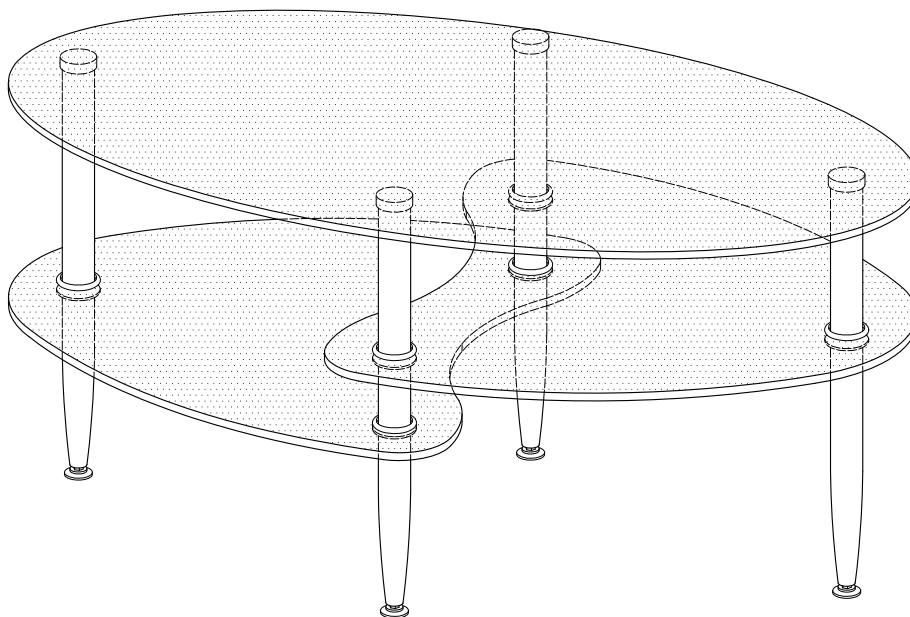
Slide glass (3) then decorative rings (C) onto long rods (A).

## Step 5



Screw leg (7) onto short rod (B). Screw legs (8) onto long rods (A). *Ensure that legs (7,8) fit snugly into the decorative rings placed in the previous step.*

## Step 6



Final Assembly