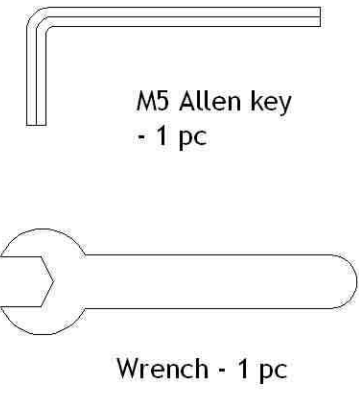
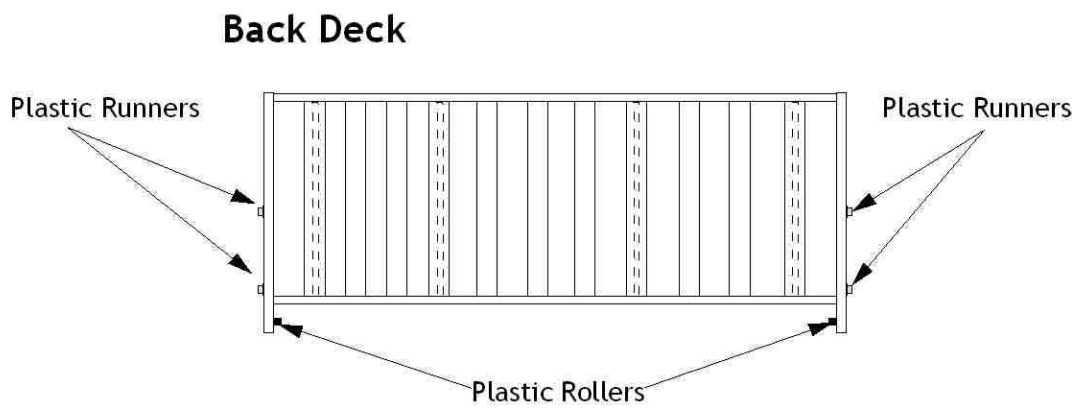


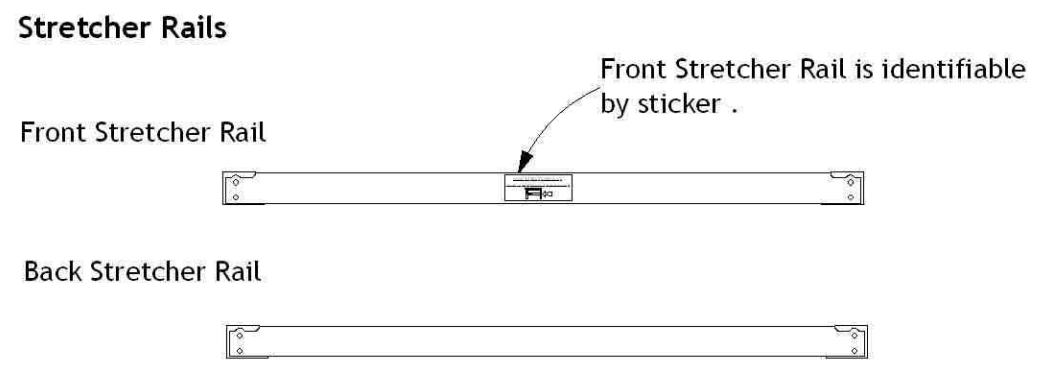
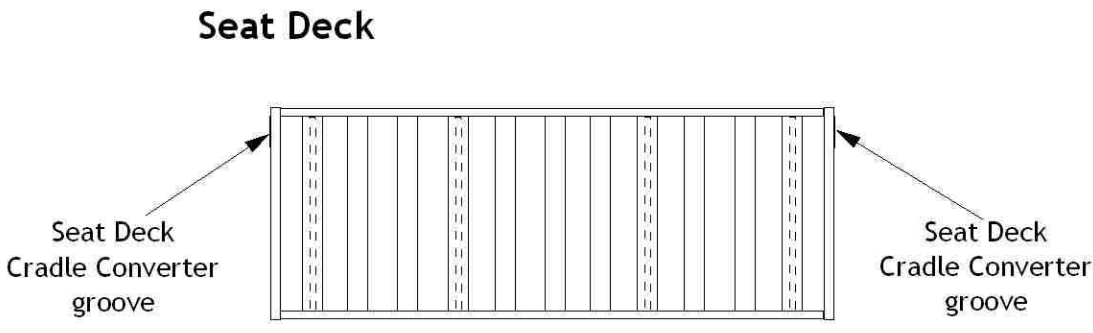
**Contents of FB4/ F04/ FC4 Bi-Fold Body box :**

\*Bi-Fold Arms and Hardware Pack are packed in a separate box.

Assembly tools (Packed in hardware pack) :



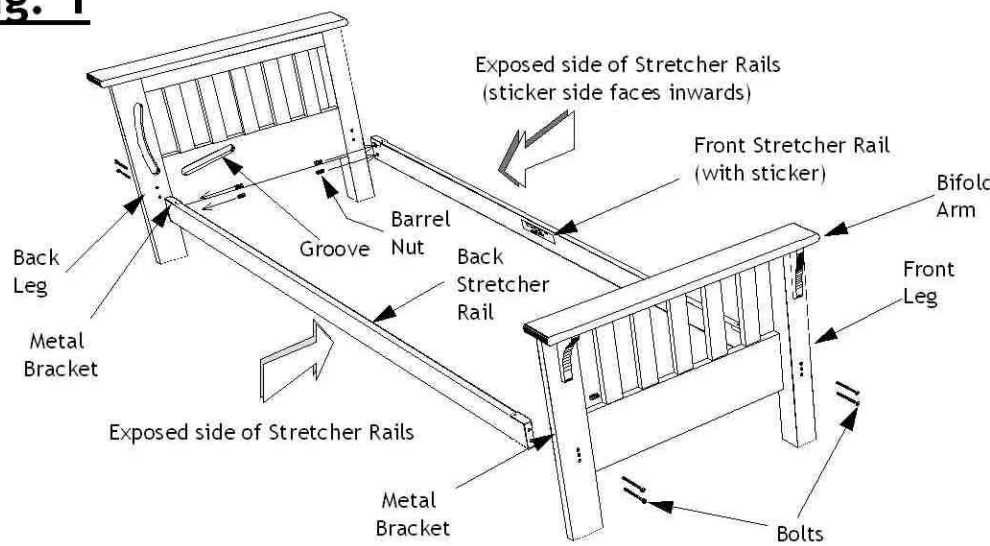
Note: Queen Size Frames will have a Support Leg attached to the Back Deck  
\*Hardware is preassembled to Back Deck Frame



Page 1

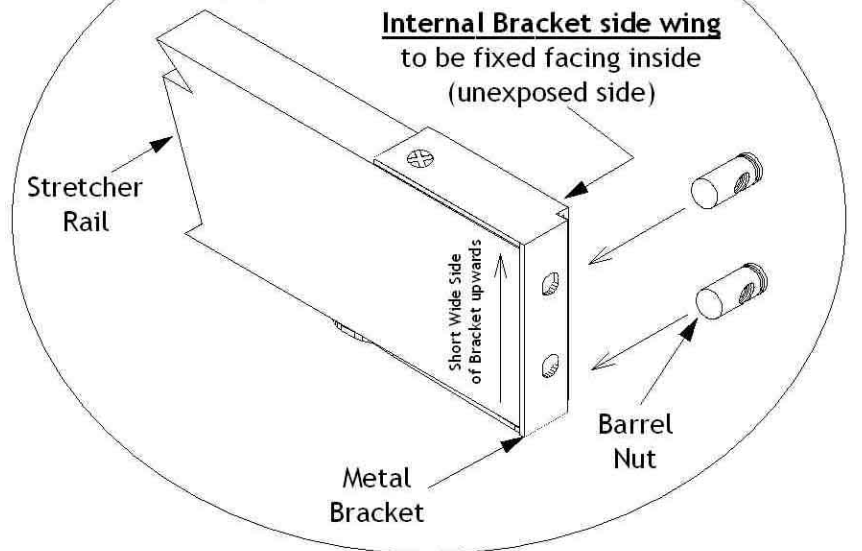
**PART A**

**Fig. 1**



Page 2

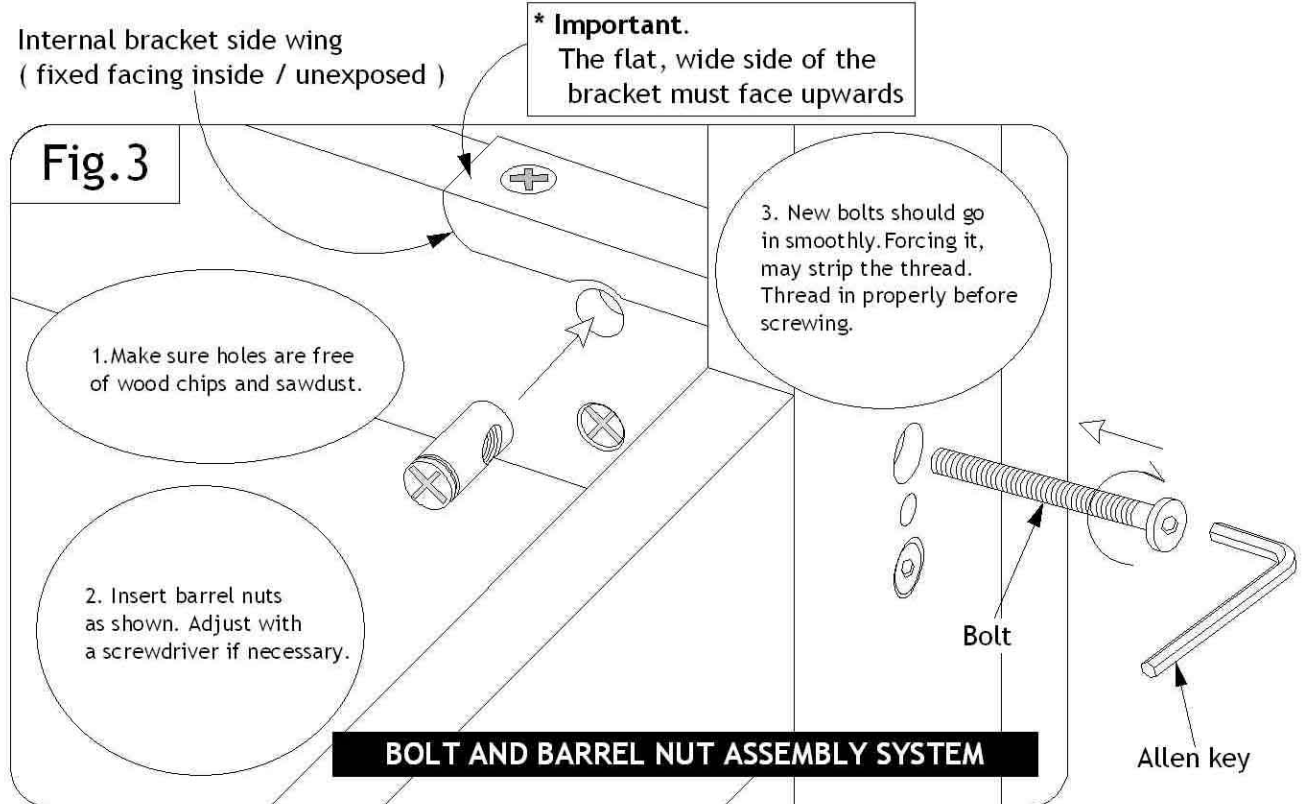
**Fig. 2**



**Step 1:** Unpack the Bi-Fold Arms and take note that the metal brackets attached to the both ends of stretcher rails have 2 different top edges.

**Step 2:** Align the stretcher rails to the arms (Fig. 1). Make sure that the short, wide side of the metal brackets face upwards while the flat trimmed edges face the exposed side (Fig. 2).

Bolt and barrel nut assembly are illustrated in figure 3. **DO NOT TIGHTEN BOLTS UNTIL END OF PART B!**



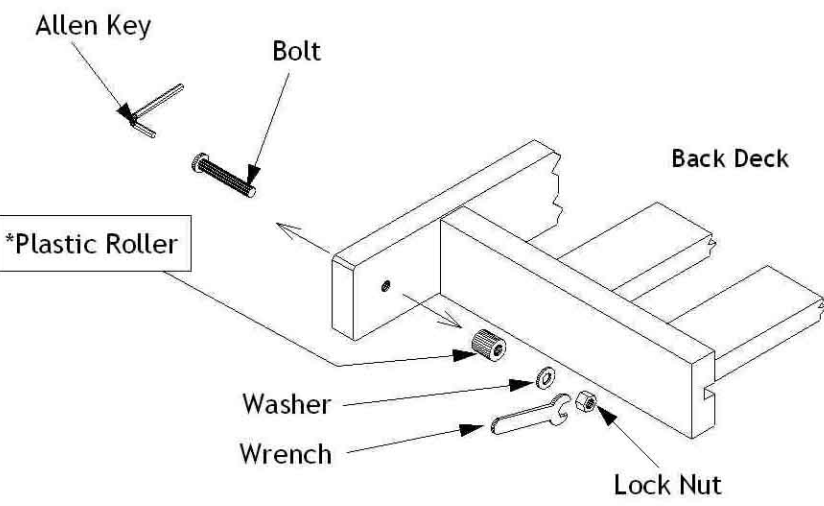
**Step 3 :** Remove one of the preassembled plastic rollers from any one side of the Back Deck as per the illustration in Fig. 4.

**PART B**

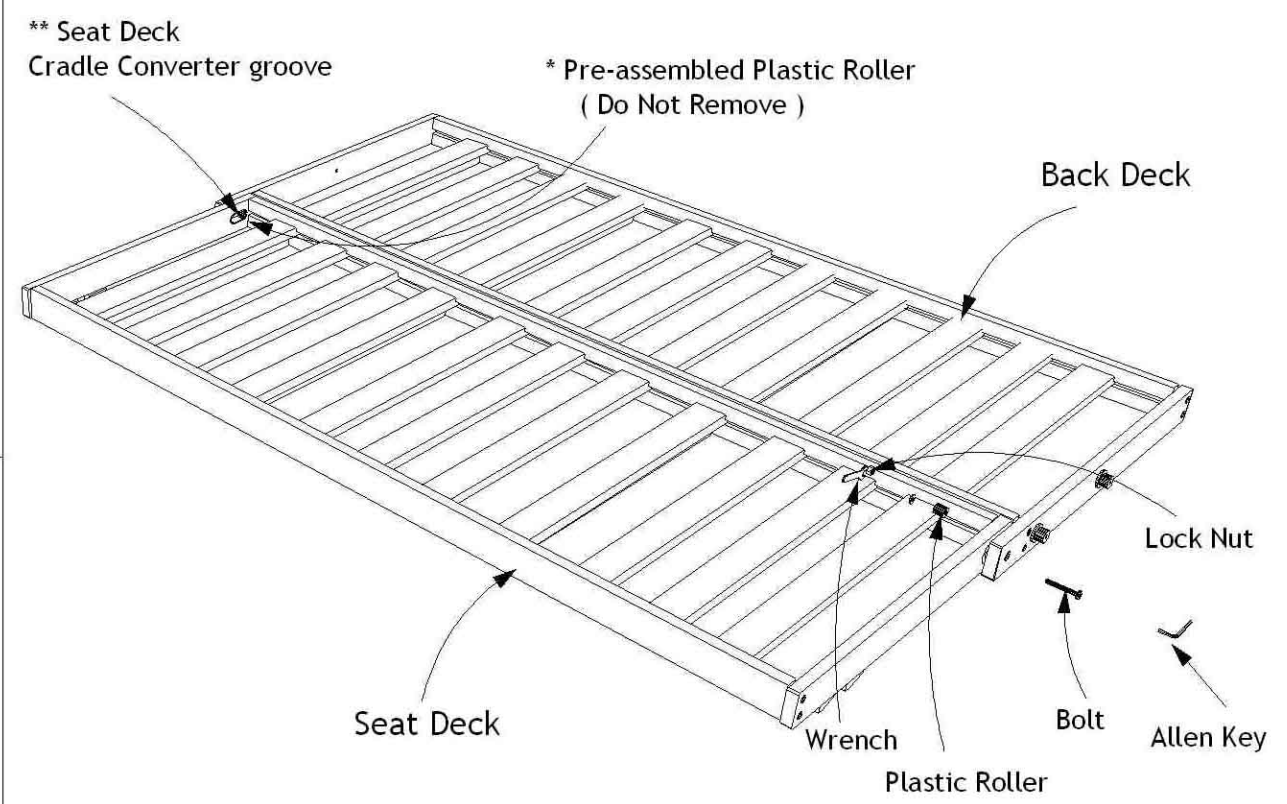
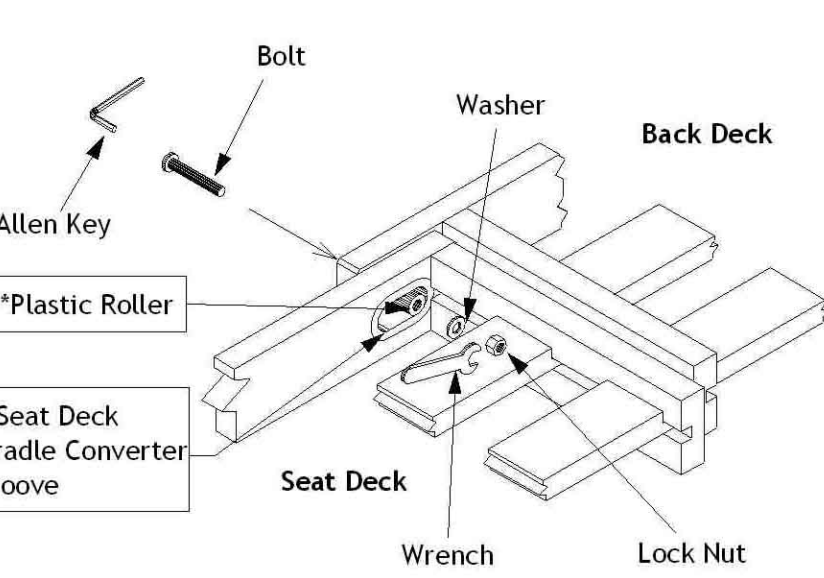
**Step 4:** After removing one of the rollers, lay the back deck flat and have someone hold it in position. Align the Seat Deck Cradle Converter groove to the plastic roller which is still in place and push to fit as shown in Fig. 5.

Page 3

**Fig. 4 : Removing the pre-assembled plastic roller**



**Fig. 6 : Plastic Roller Assembly**

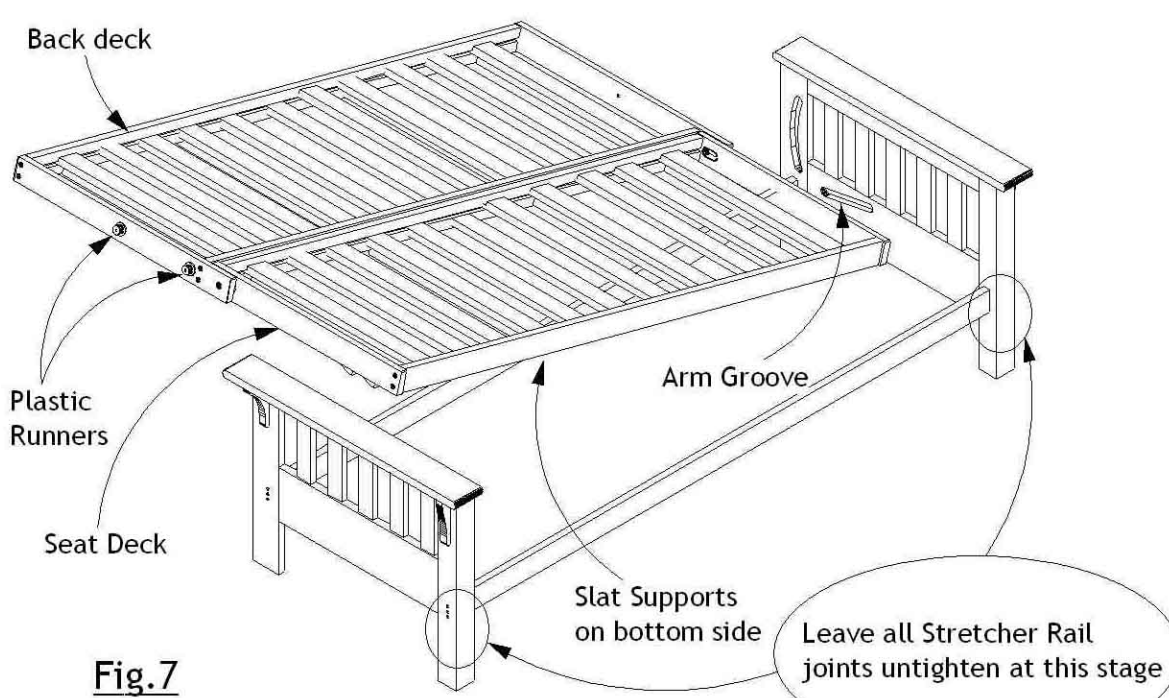
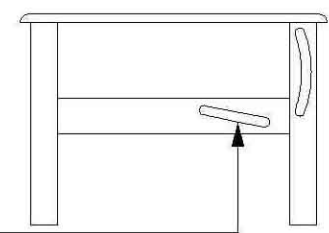


**Step 5:** Level the seat deck into position and then reinstall the other piece of roller as shown in Fig. 6.

Note : Use M5 Allen keys and Wrench to turn both Bolts and Lock Nuts to tighten Plastic Rollers. The Allen Key and Wrench are packed inside the hardware bag of body box .

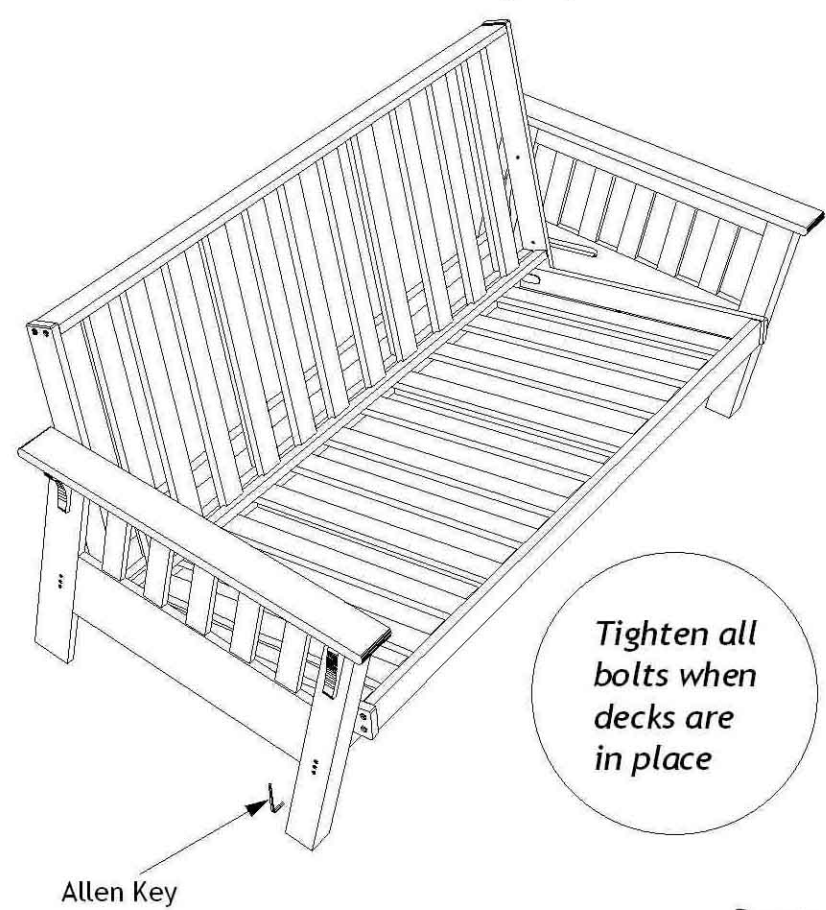
**For F02/FB2/FC2 style Groove**

The grooves on your arms will look like this...



**Fig.7**

**Step 7 (Fig.8)** Once the decks are in place, tighten all the bolts and secure the Bi-Fold Body in place.



**Fig.8**

Page 4

**Step 6 (Fig. 7)** This step can be tricky and would require two or more people. Place the assembled decks between the arms. Ease in one end of the Plastic Runners into the grooves first and then gently lower and position the other end and fit the plastic runners into the grooves of the arms. Make sure that the rear side ( with slat supports ) is facing downwards.

\* Be careful :The plastic runners can damage the arm rest if handled roughly.