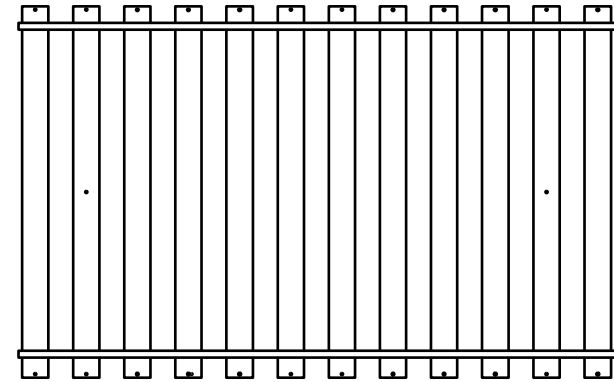
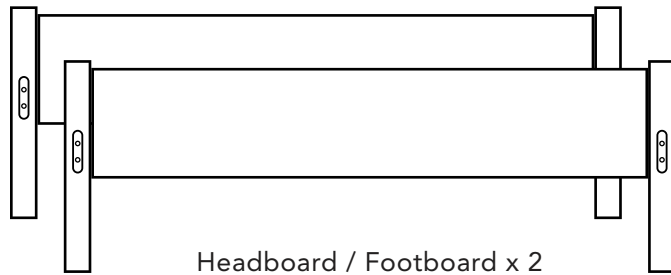


Assembly Instructions for Basic Bed, Full & Queen

1A

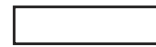
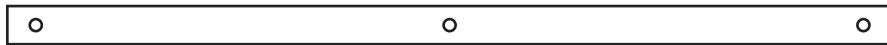
Watch our assembly videos at www.stratafurniture.com/videos.html

Parts in Box 1 of 2:



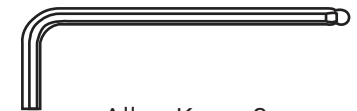
1B

Parts in Box 2 of 2:



1C

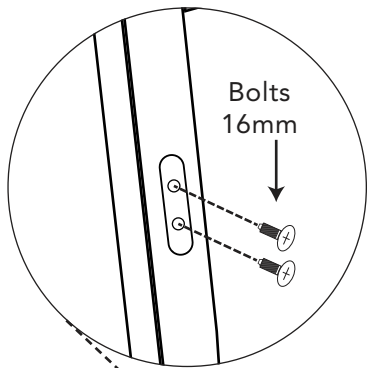
Hardware in Box 2 of 2:



Assembly Instructions for Platform Bed, Full & Queen

2A

Insert 16mm Bolts into Headboard and Footboard.
Leave bolts loose!

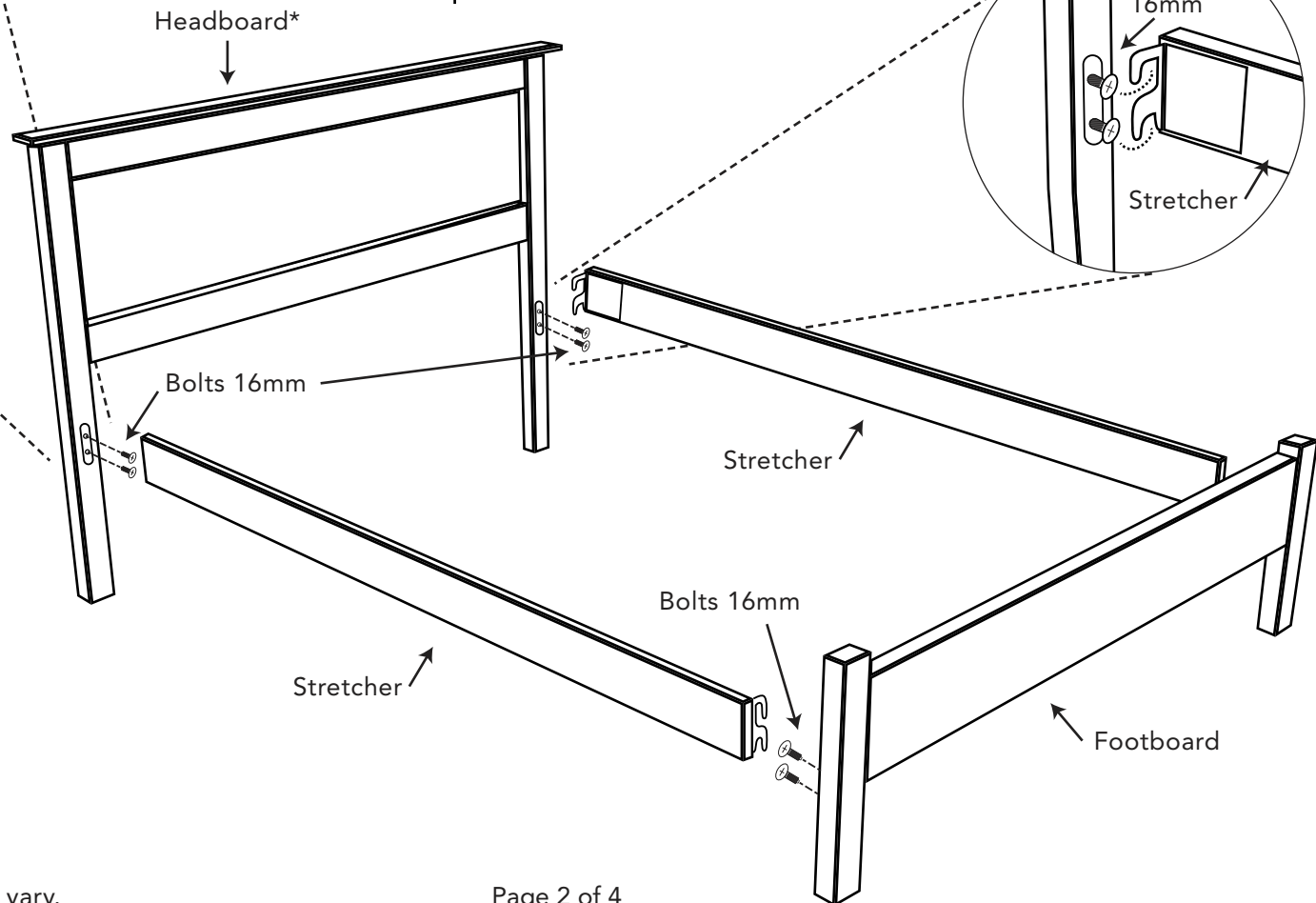
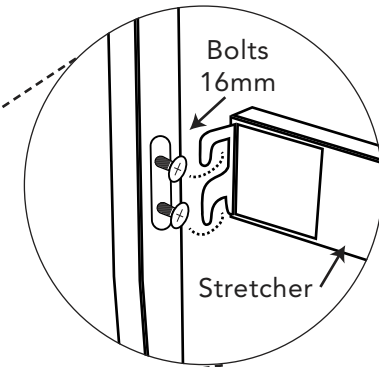


2B

Connect the Stretchers to the Headboard and Footboard.

Drop Stretcher bracket over 16mm Bolts on Headboard and Footboard as shown.

Tighten all 16mm Bolts with Allen Key.

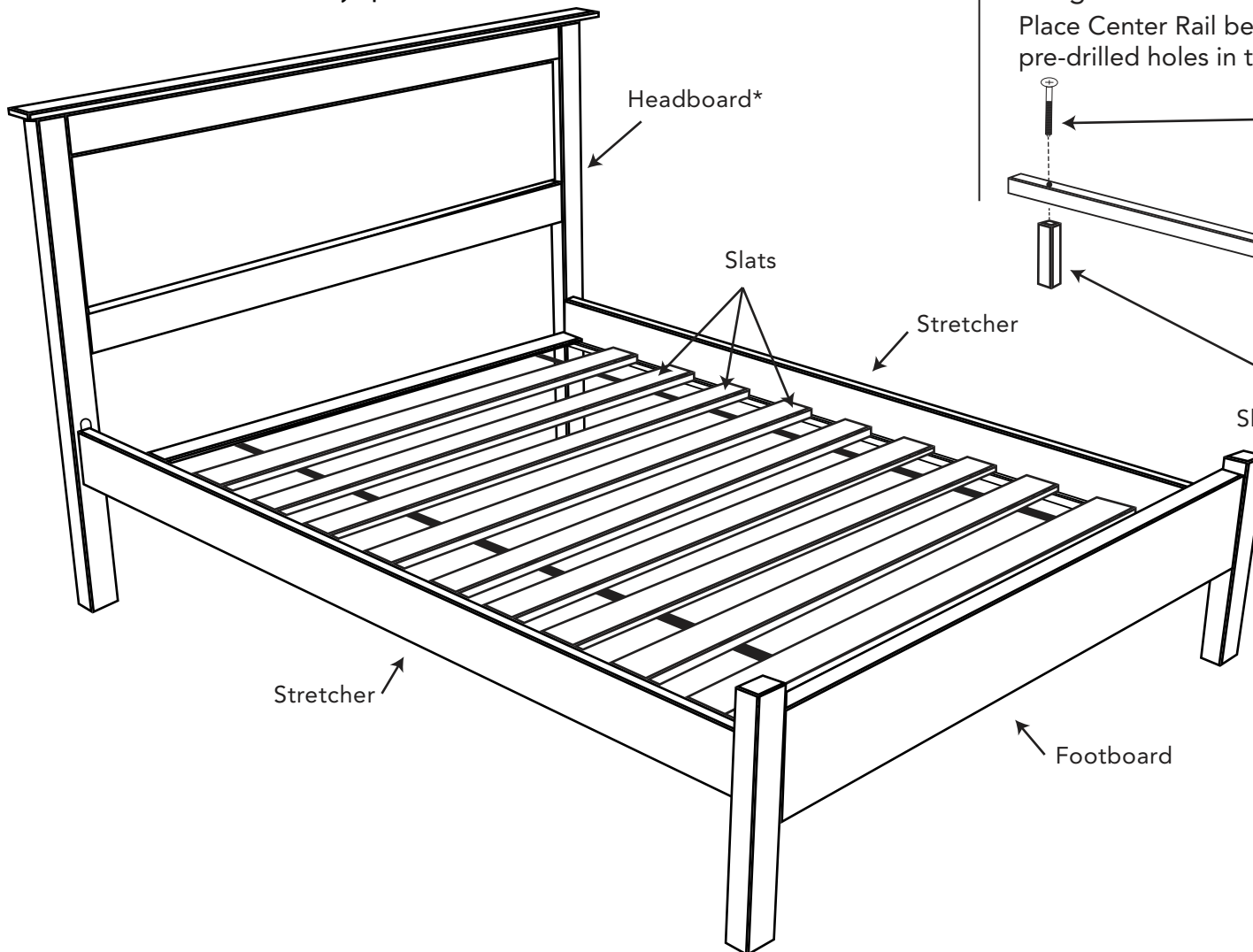


*Headboard style may vary.

Assembly Instructions for Platform Bed, Full & Queen

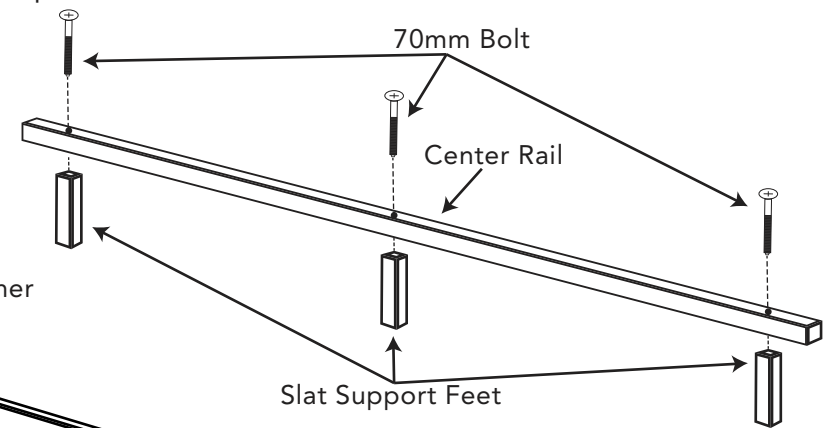
3A

Roll slats out on top of Stretchers with Strip-side down.
Make sure slats are evenly spaced!



3B

Attach the Slat Support Feet to the Center Rail using the 70mm Bolts as shown.
Place Center Rail beneath the slats so it aligns with pre-drilled holes in the slats.

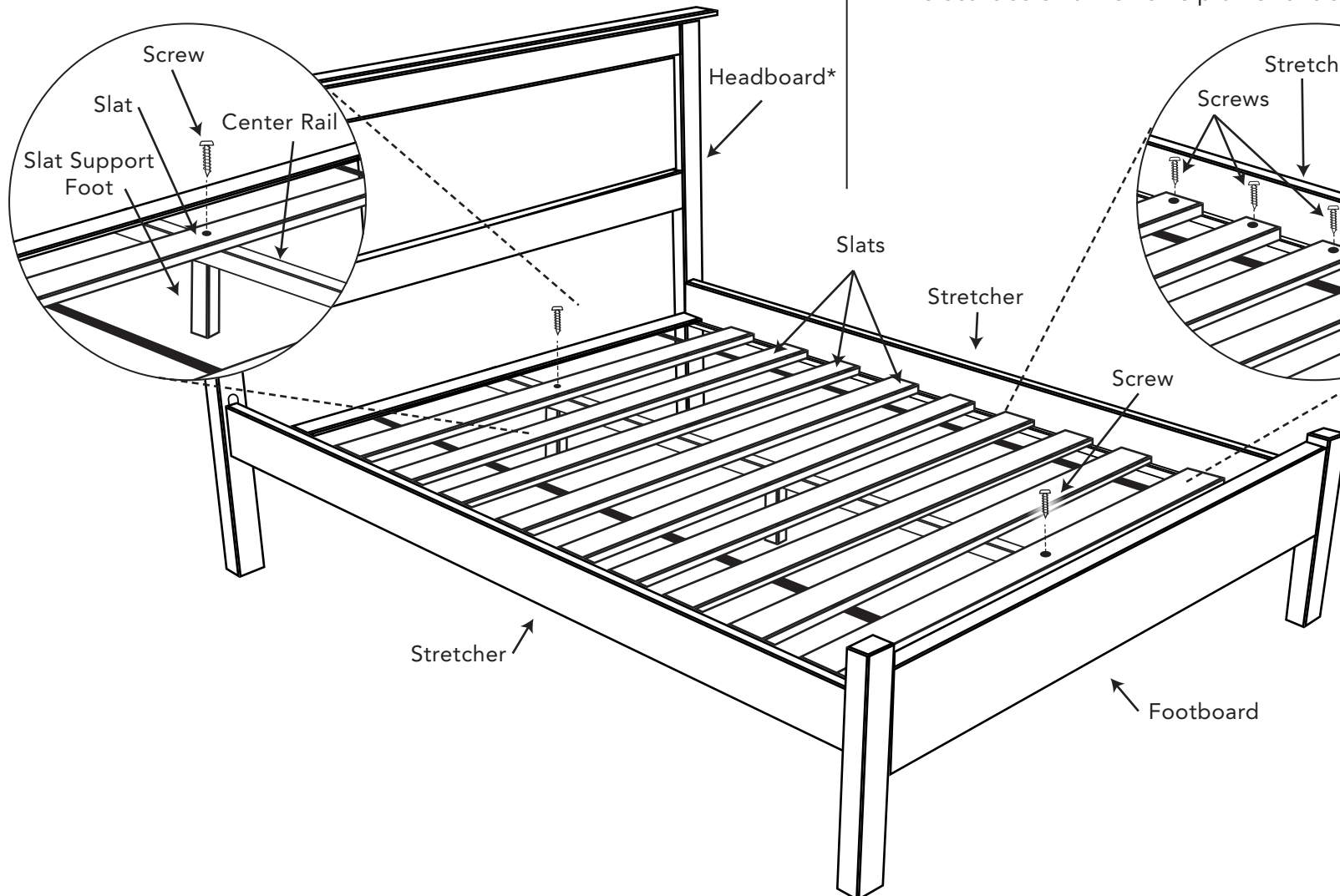


*Headboard style may vary.

Assembly Instructions for Platform Bed, Full & Queen

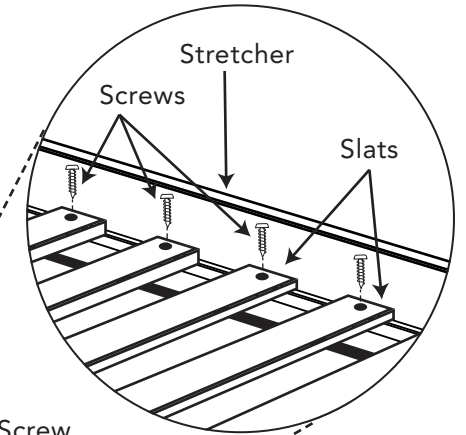
4A

Using two Screws, attach Center Rail to slats as shown.



4B

Attach Slats to Stretchers using Screws as shown. An electric screwdriver is helpful for this step.



*Headboard style may vary.