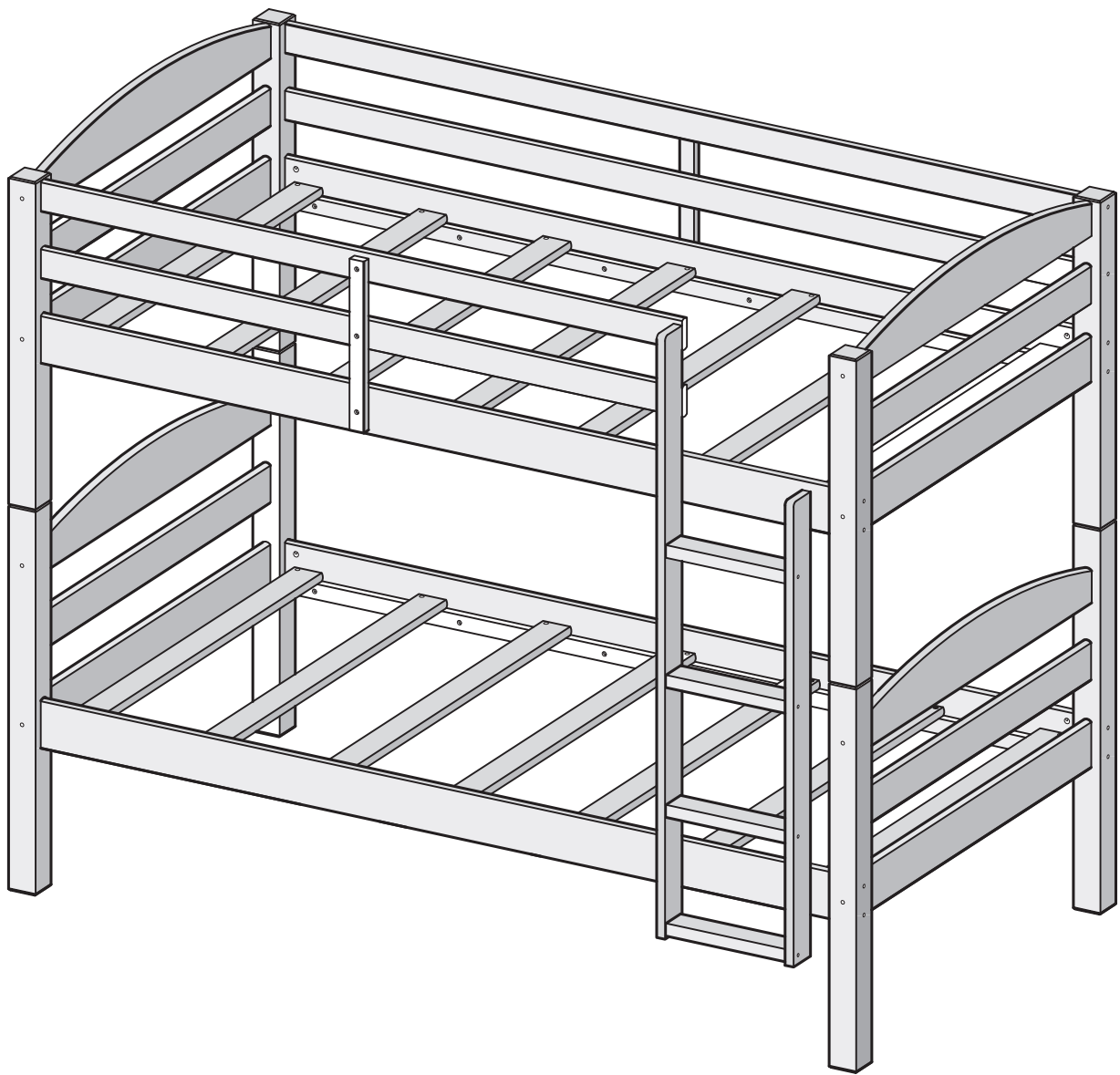




Walker
Edison

furniture company

Item #: BWSTOT
Assembly Instructions



For our most current instructions, to request missing, lost or broken parts, or for any other Customer Service issues, please visit our website at www.walkeredison.com or call us at 877-207-5906.

Revised 01/2011



Instruction Manual

IMPORTANT INFORMATION READ BEFORE ASSEMBLING THIS PRODUCT

Follow the information on the warning labels found on the bunk bed and on the packaging. Do not remove the warning label from the bed.

Use only a mattress with the dimensions 74-75 in. L x 37.5-38.5 in. W x 6 in. H on the upper bunk. A mattress with the same dimensions is also recommended for the lower bunk.

The surface of the mattress must be at least 5 in. (127mm) below the upper edge of the guardrails. Mattress must not exceed the maximum thickness of 6 in.

Always use the recommended size of mattress or mattress support, or both, to help prevent the likelihood of entrapment or falls.

The use of a water or sleep flotation mattress is prohibited.

Replacement parts, including additional guardrails, may be obtained from any of Walker Edison Furniture Company's dealers or by contacting us online at www.walkerredison.com.

DO NOT use substitute parts. Contact the manufacturer or dealer for replacement parts.

Always use guardrails on the upper bunk. If the bunk bed will be placed next to a wall, the guardrail running the full length of the bed should be placed against the wall to prevent entrapment between the bed and the wall.

Periodically check that the guardrails, ladders and other components of the bed are in their proper position, free from damage, and that all connectors are tight.

Always use the ladder to access the upper bunk.

DO NOT allow children under 6 years of age to use the upper bunk.

DO NOT allow horseplay on or under the bed. Prohibit jumping on the bed.

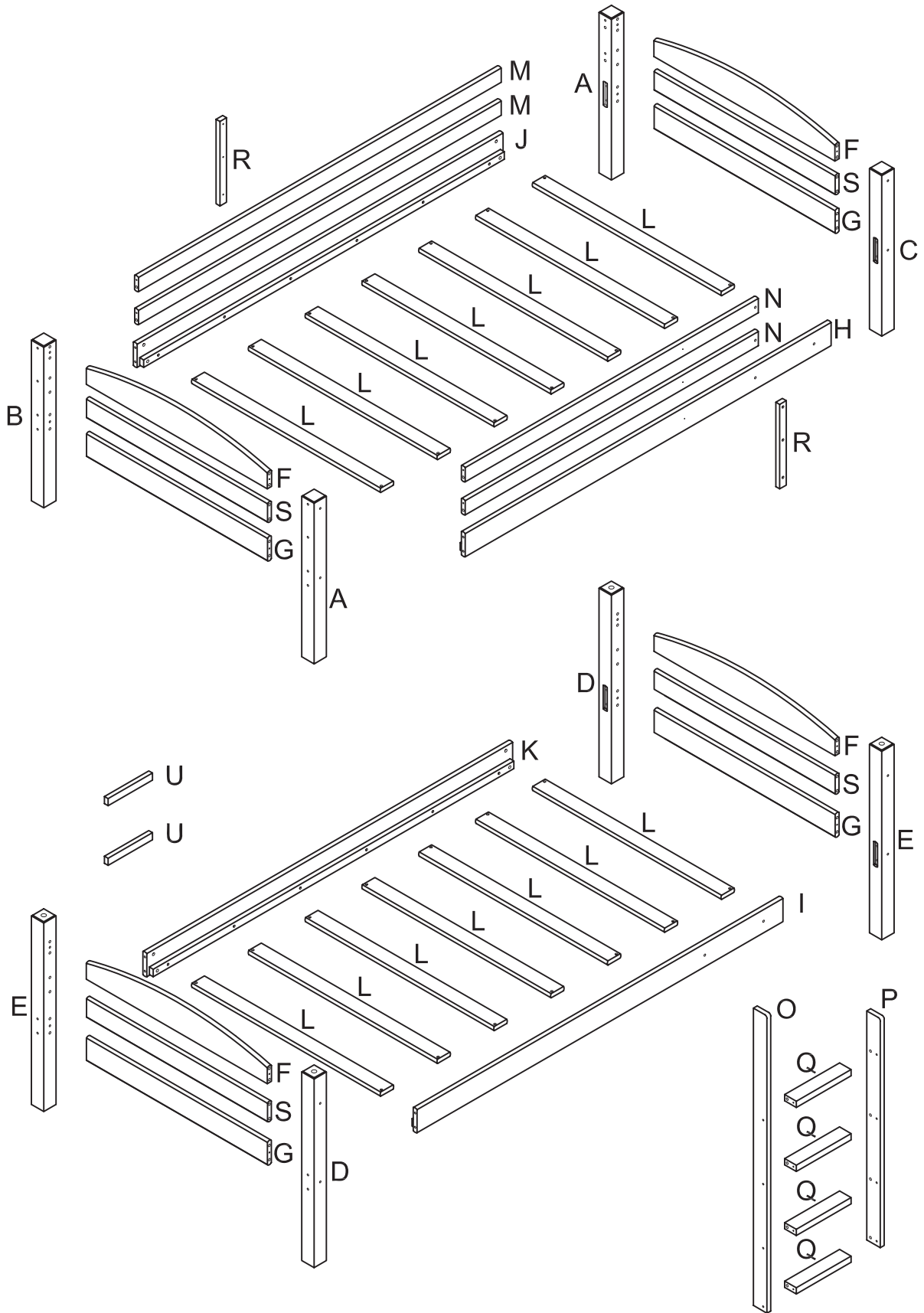
Prohibit more than one person on the upper bunk.

The use of a night light may provide an added safety precaution for a child using the upper bunk.


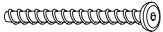







STRANGULATION HAZARD – Never attach or hang items to any part of the bunk bed that are not designed for use with the bed; including but not limited to hooks, belts and jump ropes.

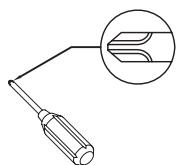
Keep these instructions for future reference.

Parts List



Hardware List

1		Ø1/4"x100	Joint connector	16 pcs
2		Ø6.5x48	Wood joint connector	14 pcs
3		Ø6.5x100	Wood joint connector	22 pcs
4		Ø4x35	Flat head wood screw	28 pcs
5		Ø4x30	Flat head wood screw	6 pcs
6		Ø19x95	Wood dowel	4 pcs
7		Ø10x50	Wood dowel	62 pcs
8		Ø11.8x15	Barrel nut	16 pcs
9		M4	Hex key	1 pc



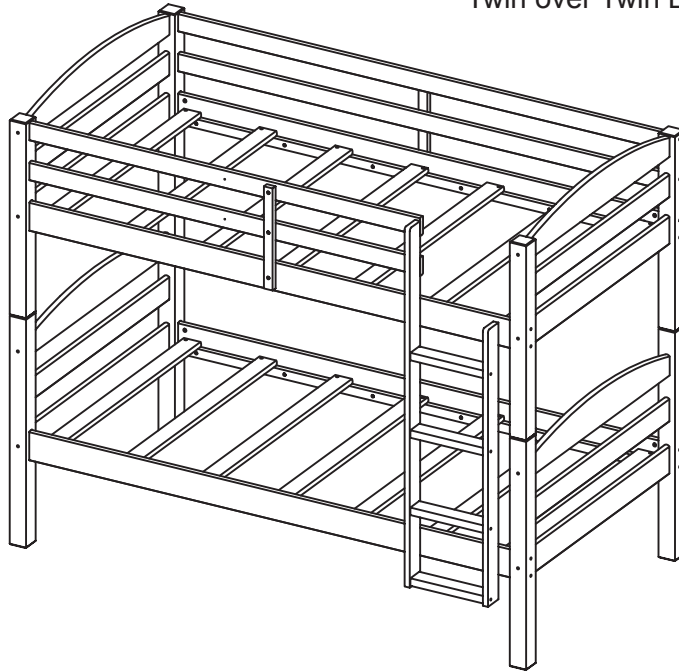
Philips head screwdriver required for assembly
(not included)

*The hardware quantities listed above are required for proper assembly.
Some extra hardware may also have been included.*

Assembly Options

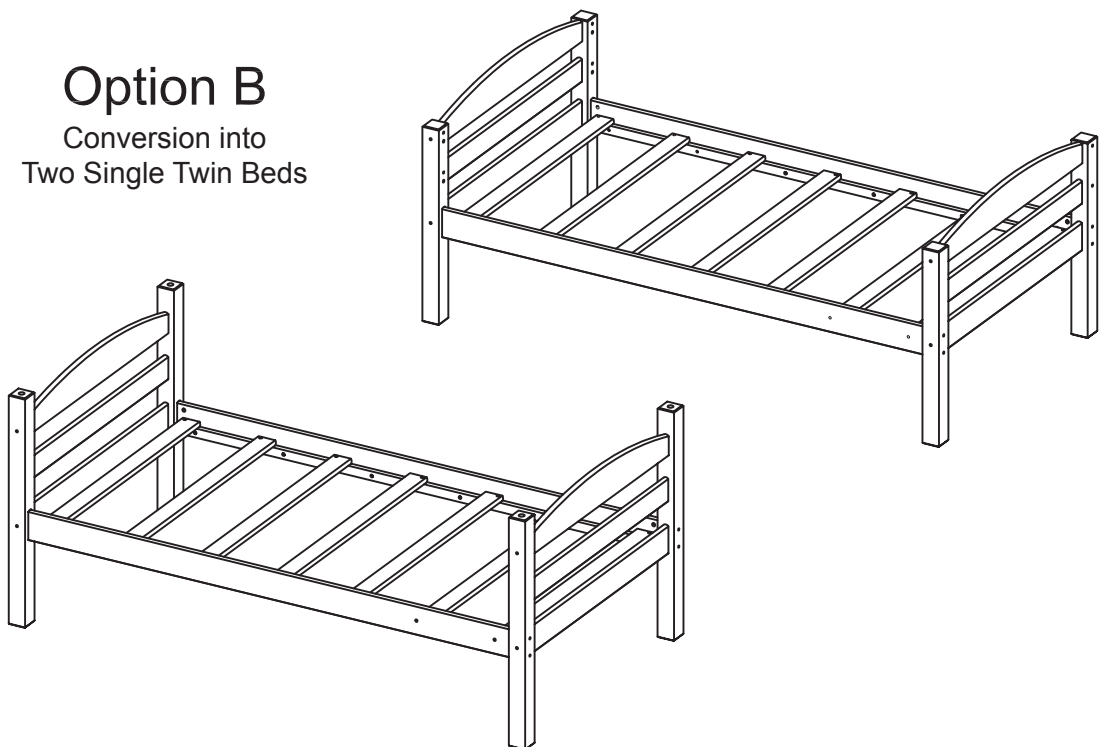
Option A

Twin over Twin Bunk Bed

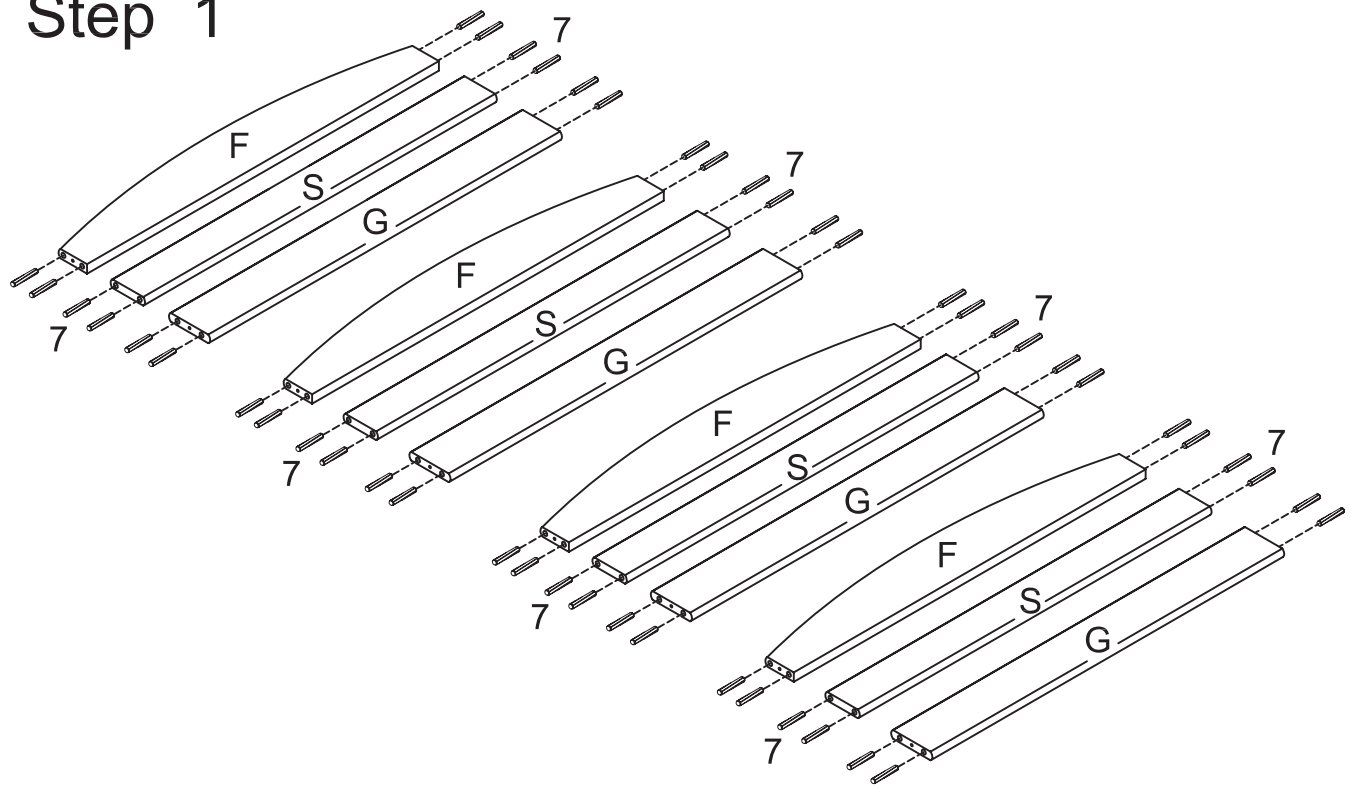


Option B

Conversion into
Two Single Twin Beds

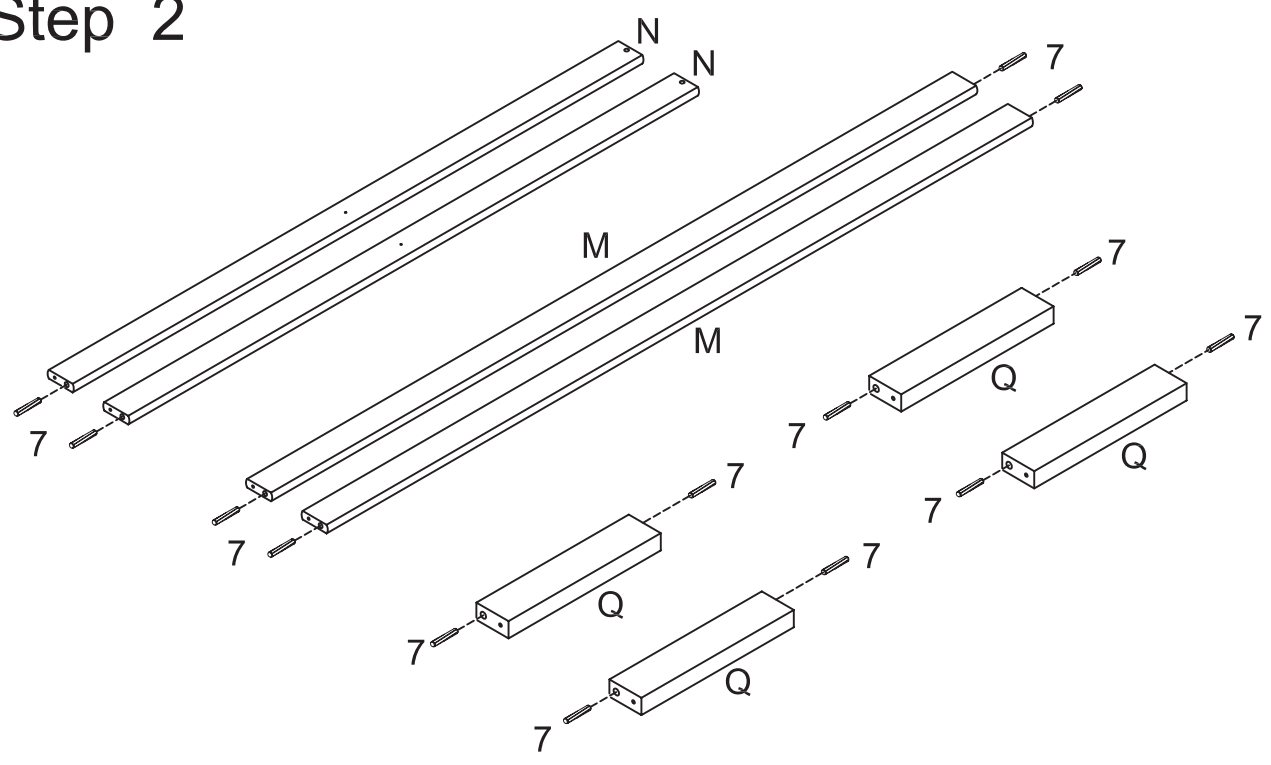


Step 1



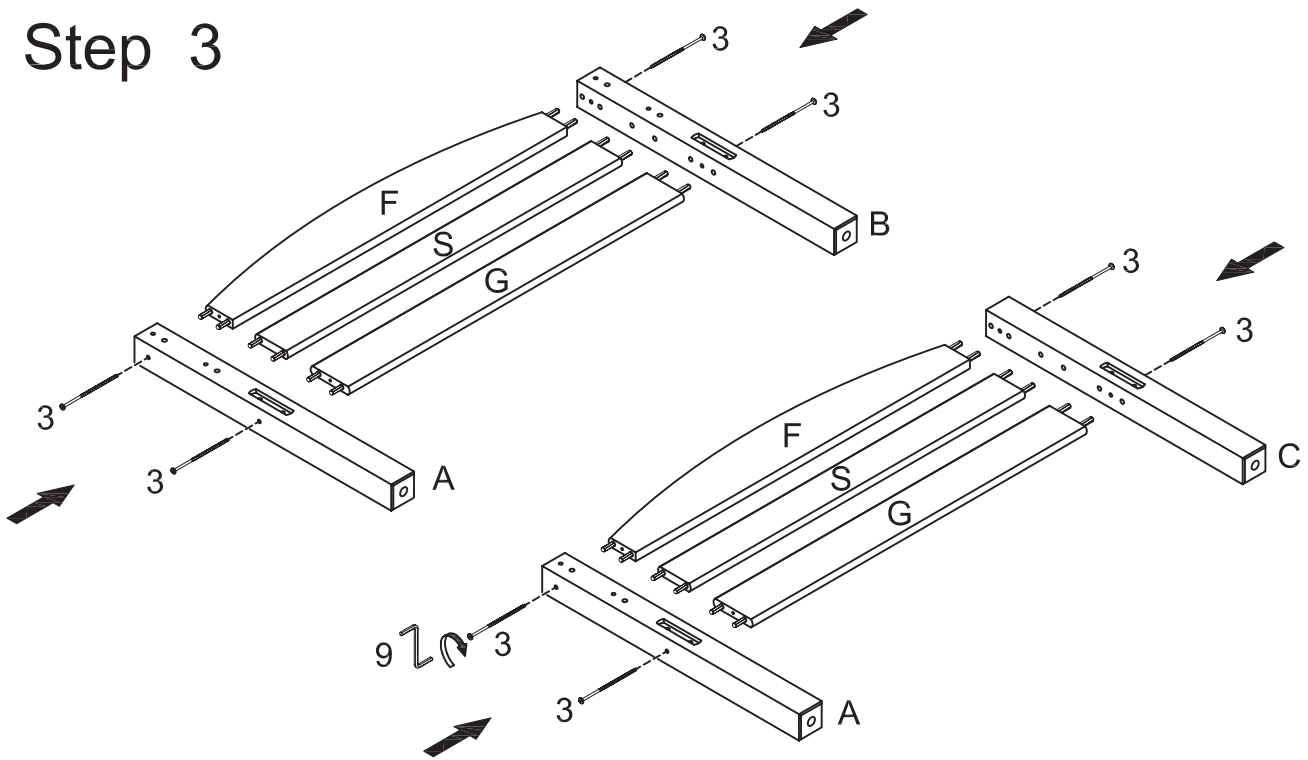
Insert wood dowels (7) into slats (F,S,G).

Step 2



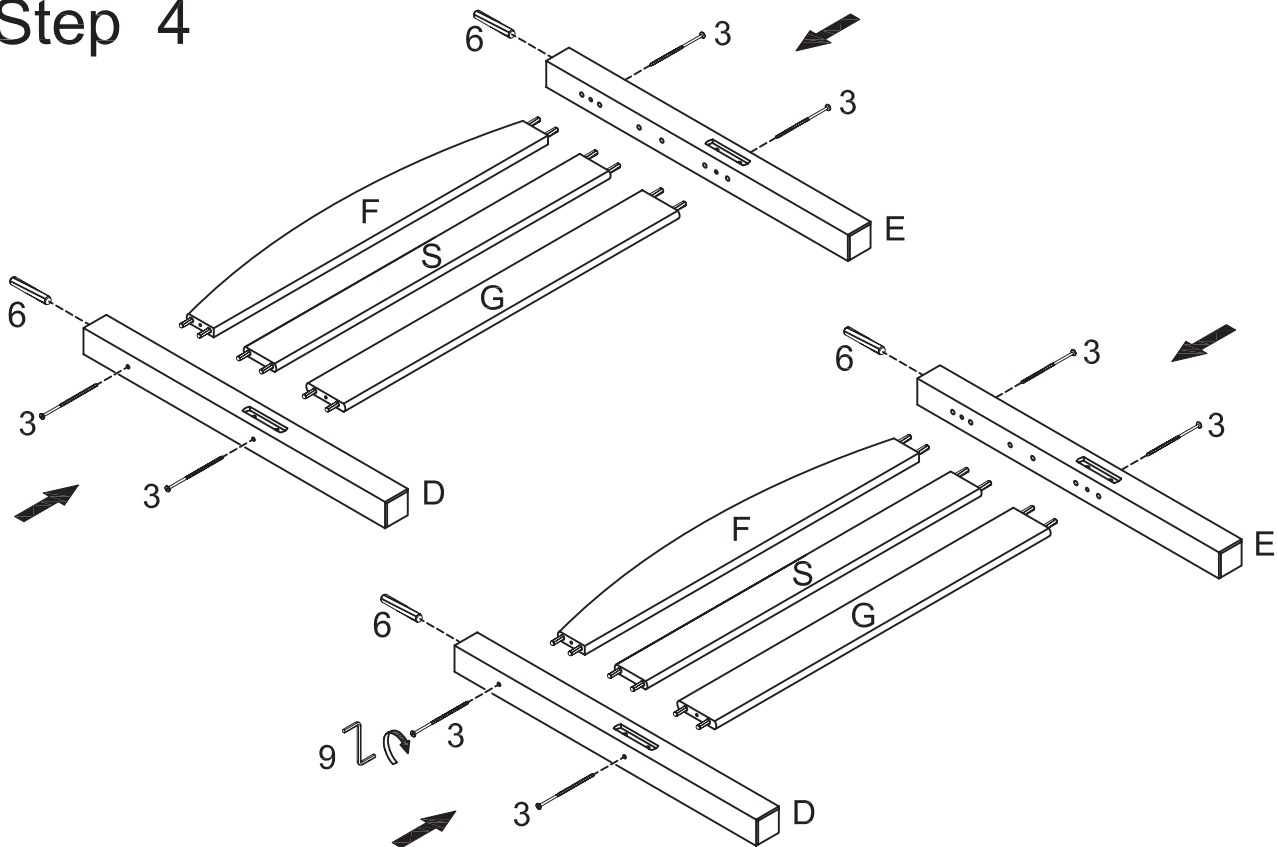
Insert wood dowels (7) into guardrails (M,N) and ladder rungs (Q).

Step 3



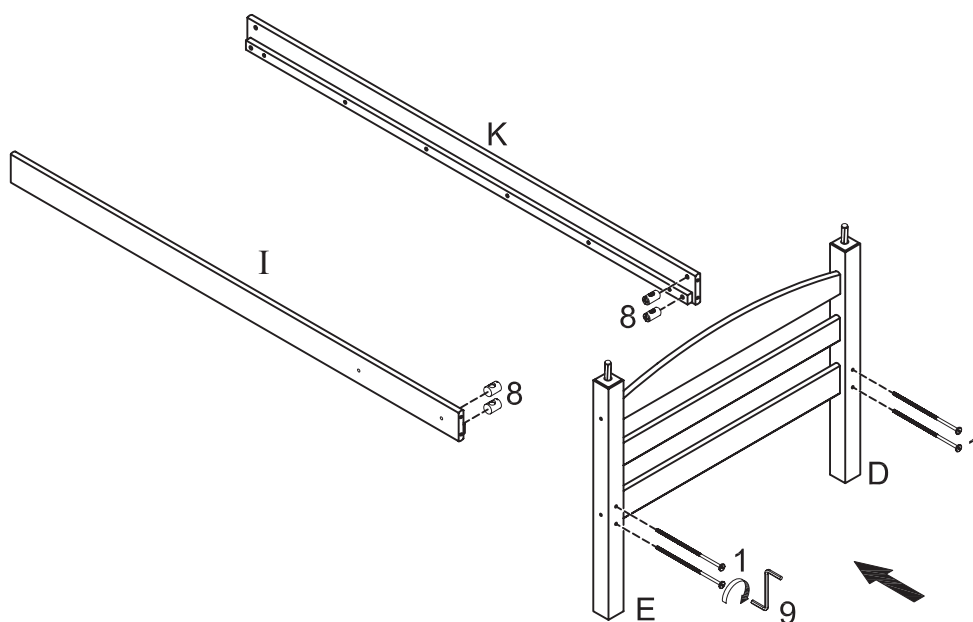
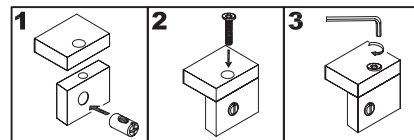
Attach legs (A,B) to slats (F,S,G) using wood joint connectors (3). Attach legs (A,C) to slats (F,S,G) using wood joint connectors (3). *Only two wood joint connectors (3) will be used at each leg.*

Step 4



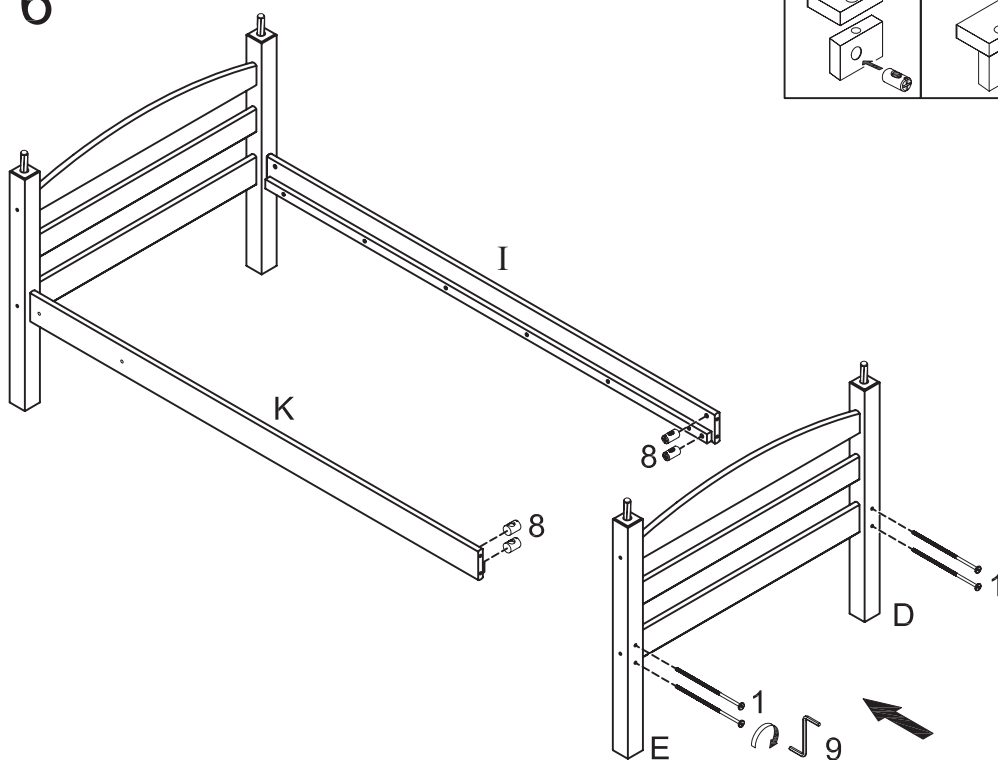
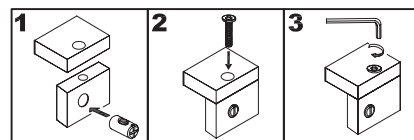
Attach first set of legs (D,E) to slats (F,S,G) using wood joint connectors (3). Attach second set of legs (D,E) to slats (F,S,G) using wood joint connectors (3). Insert wood dowels (6) into both sets of legs (D,E).

Step 5



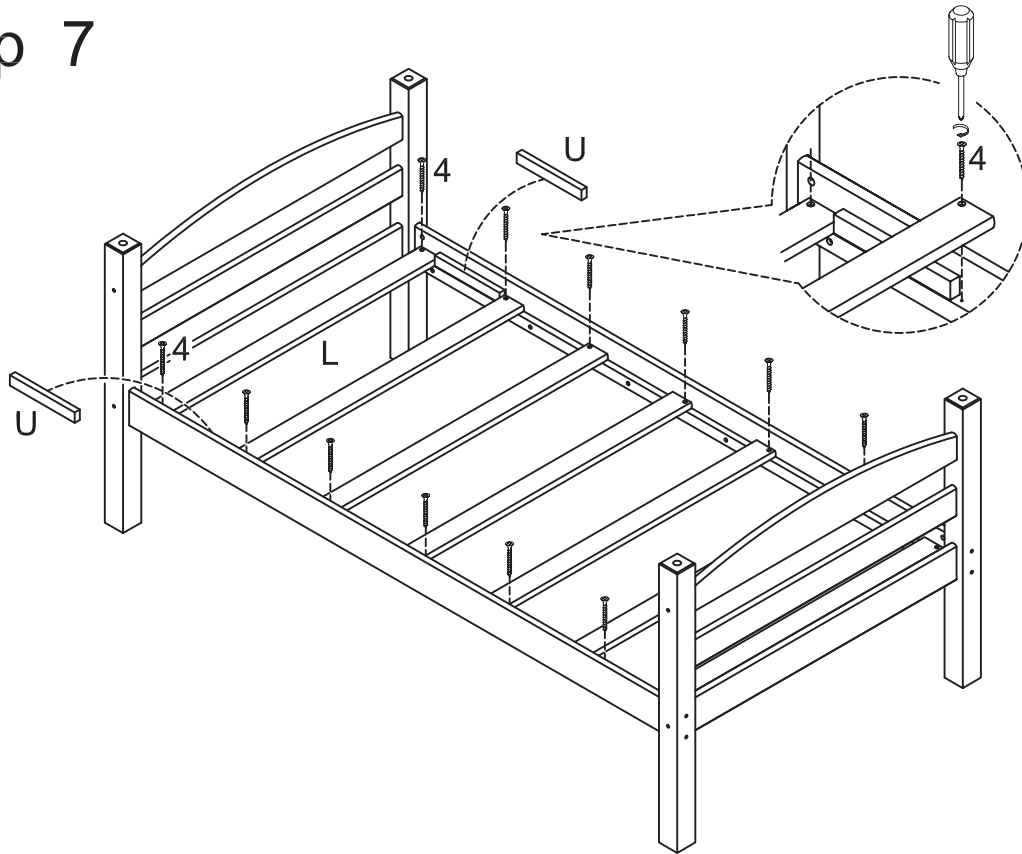
Insert barrel nuts (8) into crossbeams (I,K). Attach crossbeams (I,K) to first set of legs (D,E) using joint connectors (1). *Joint connectors (1) will screw into barrel nuts (8).*

Step 6



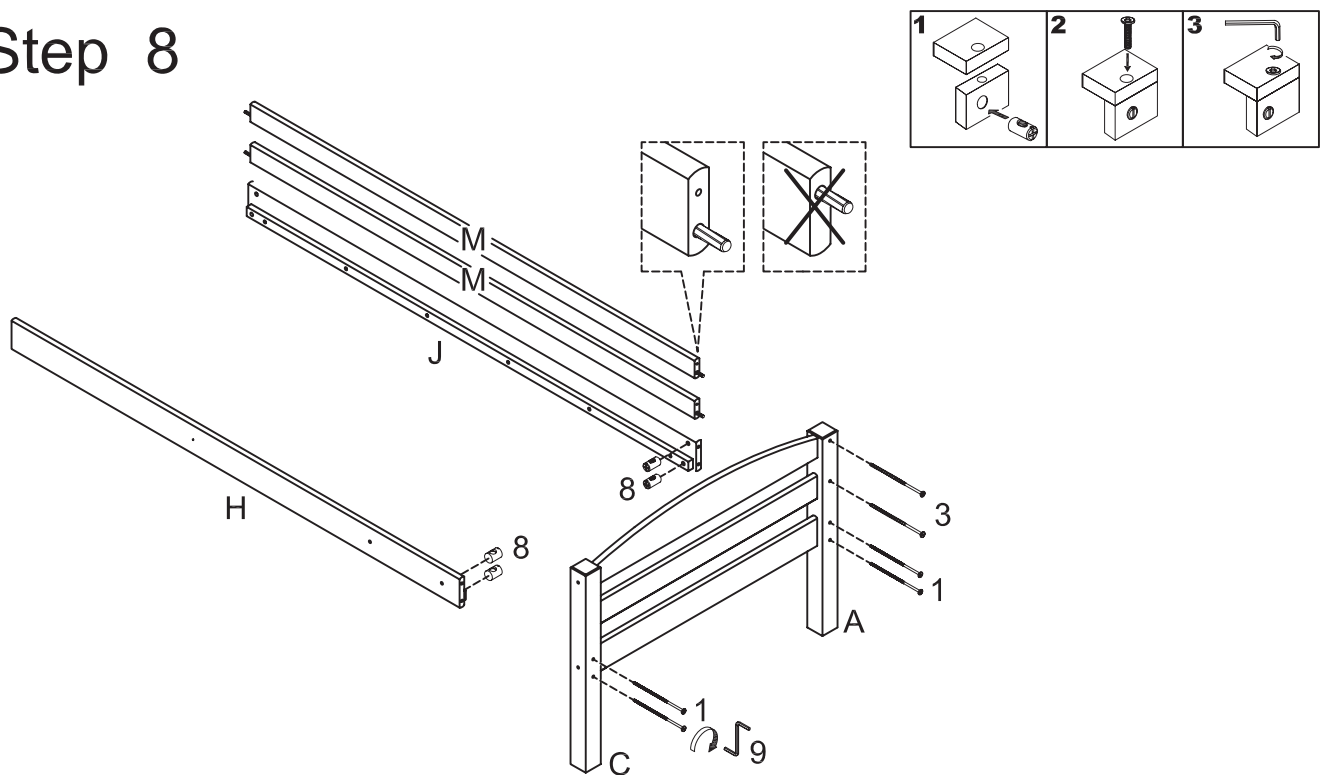
Insert barrel nuts (8) into crossbeams (I,K). Attach second set of legs (D,E) to crossbeams (I,K) using joint connectors (1).

Step 7



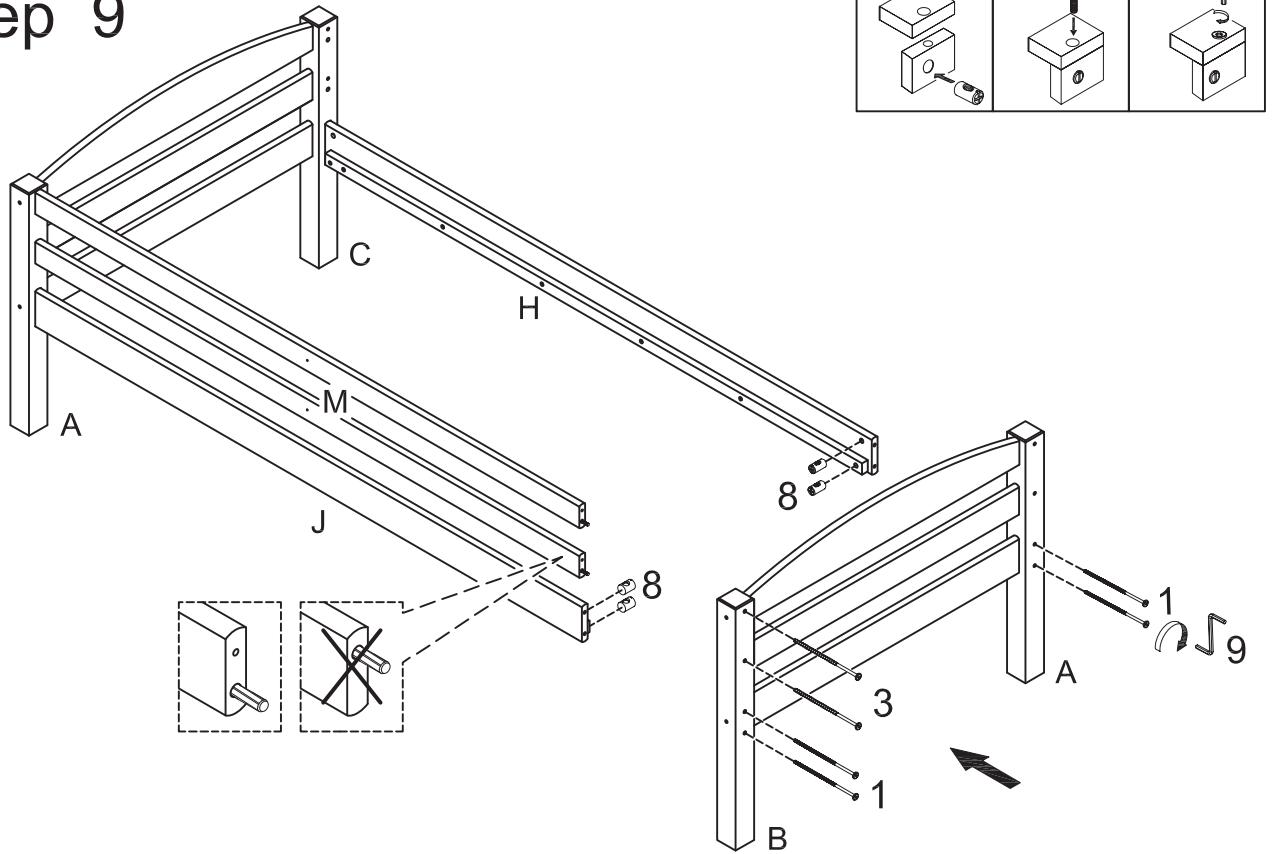
Secure mattress supports (L) to the bed assembly from the previous step using flat head wood screws (4). Use spacers (U) as guides to space mattress supports (L) evenly.

Step 8



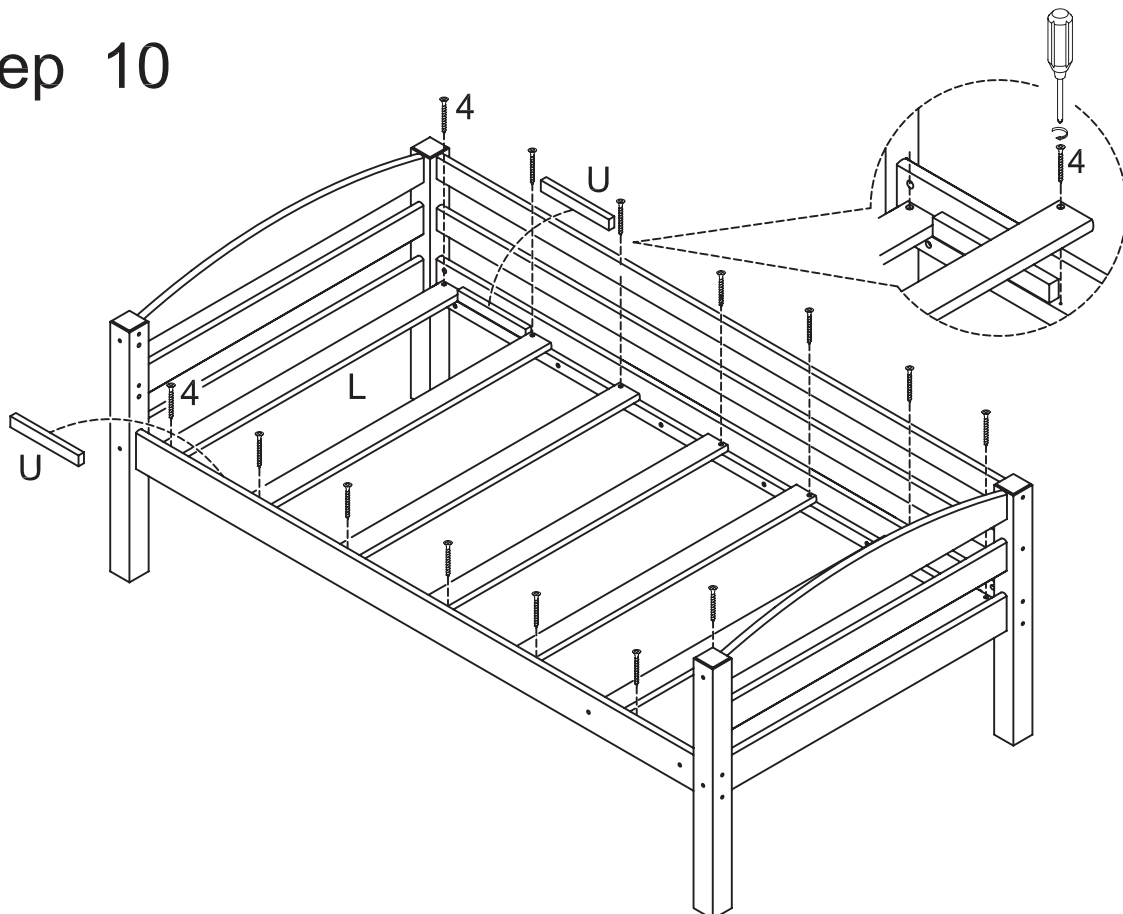
Insert barrel nuts (8) into crossbeams (H,J). Attach crossbeams (H,J) to legs (A,C) using joint connectors (1). Joint connectors (1) will screw into barrel nuts (8). Secure guardrails (M) to leg (A) using wood joint connectors (3). Wood dowels (7) will be in the bottom holes of guardrails (M) and wood joint connectors (3) will screw into the top holes of guardrails (M).

Step 9



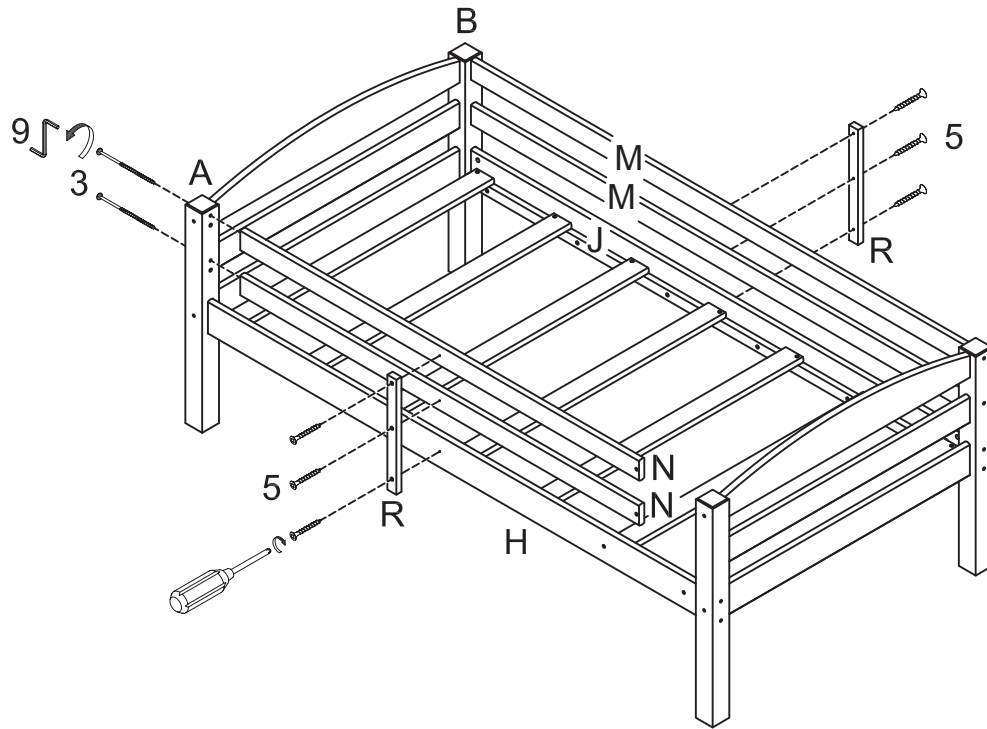
Insert barrel nuts (8) into crossbeams (H,J). Attach legs (A,B) to crossbeams (H,J) using joint connectors (1). Secure guardrails (M) to leg (B) using wood joint connectors (3).

Step 10



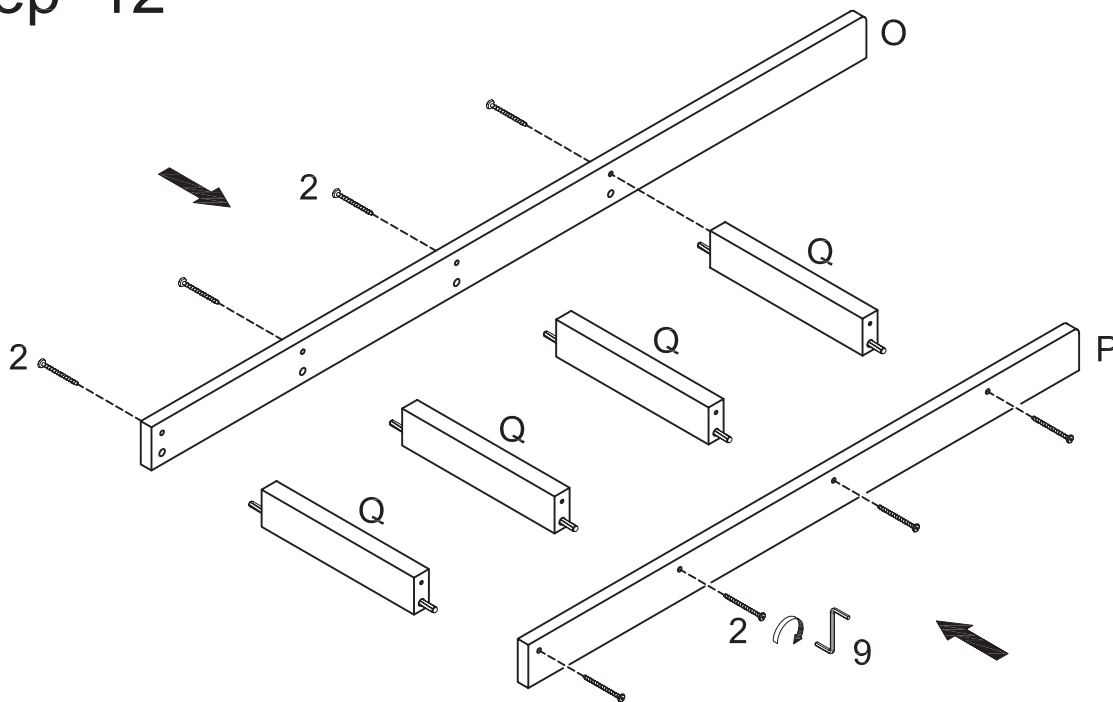
Secure mattress supports (L) to the bed assembly from the previous step using flat head wood screws (4). Use spacers (U) as guides to space mattress supports (L) evenly.

Step 11



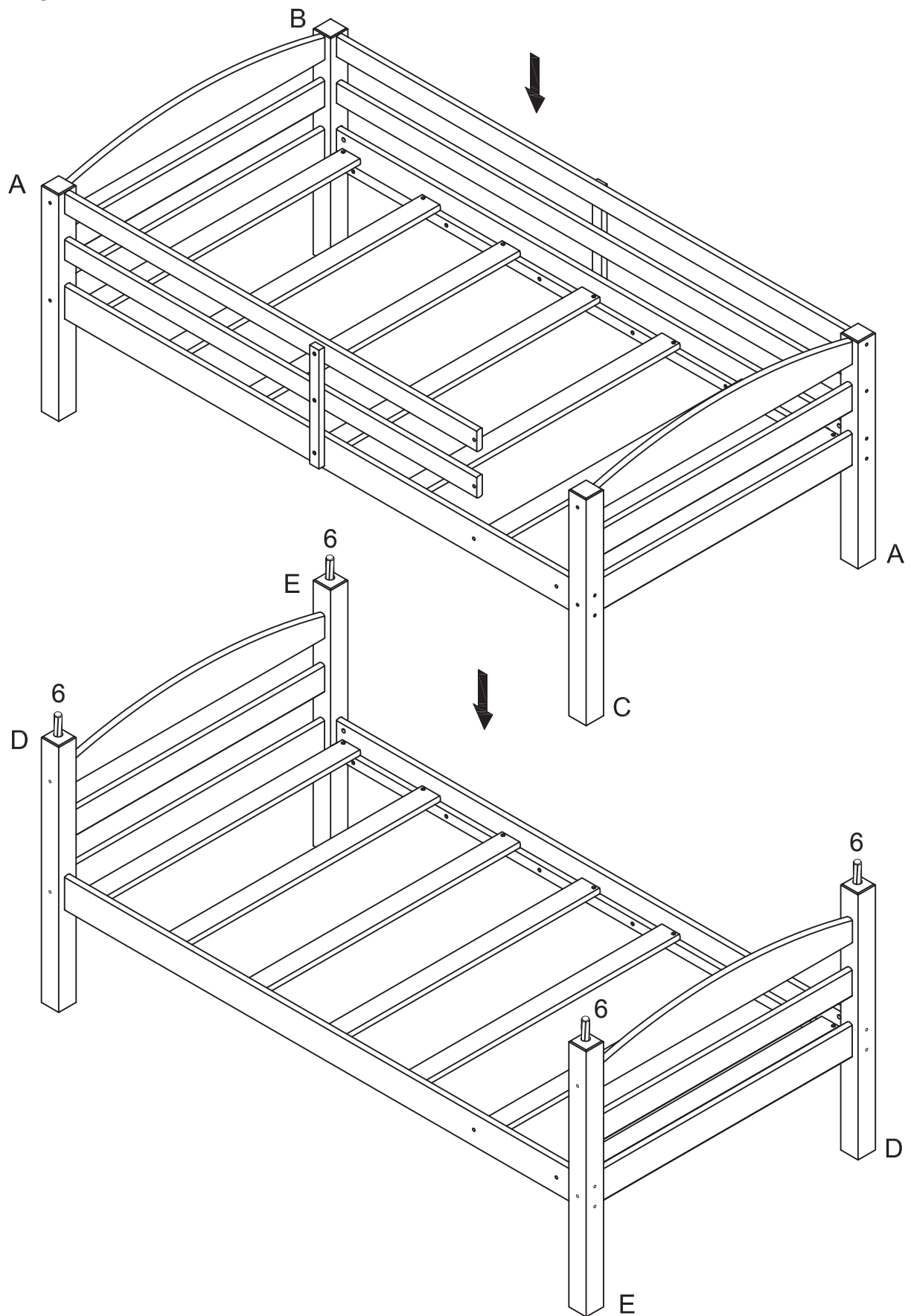
Attach guardrails (N) to leg (A) using wood joint connectors (3). Attach first guardrail support (R) to crossbeam (H) and guardrails (N) using flat head wood screws (5). Attach second guardrail support (R) to crossbeam (J) and guardrails (M) using flat head wood screws (5).

Step 12



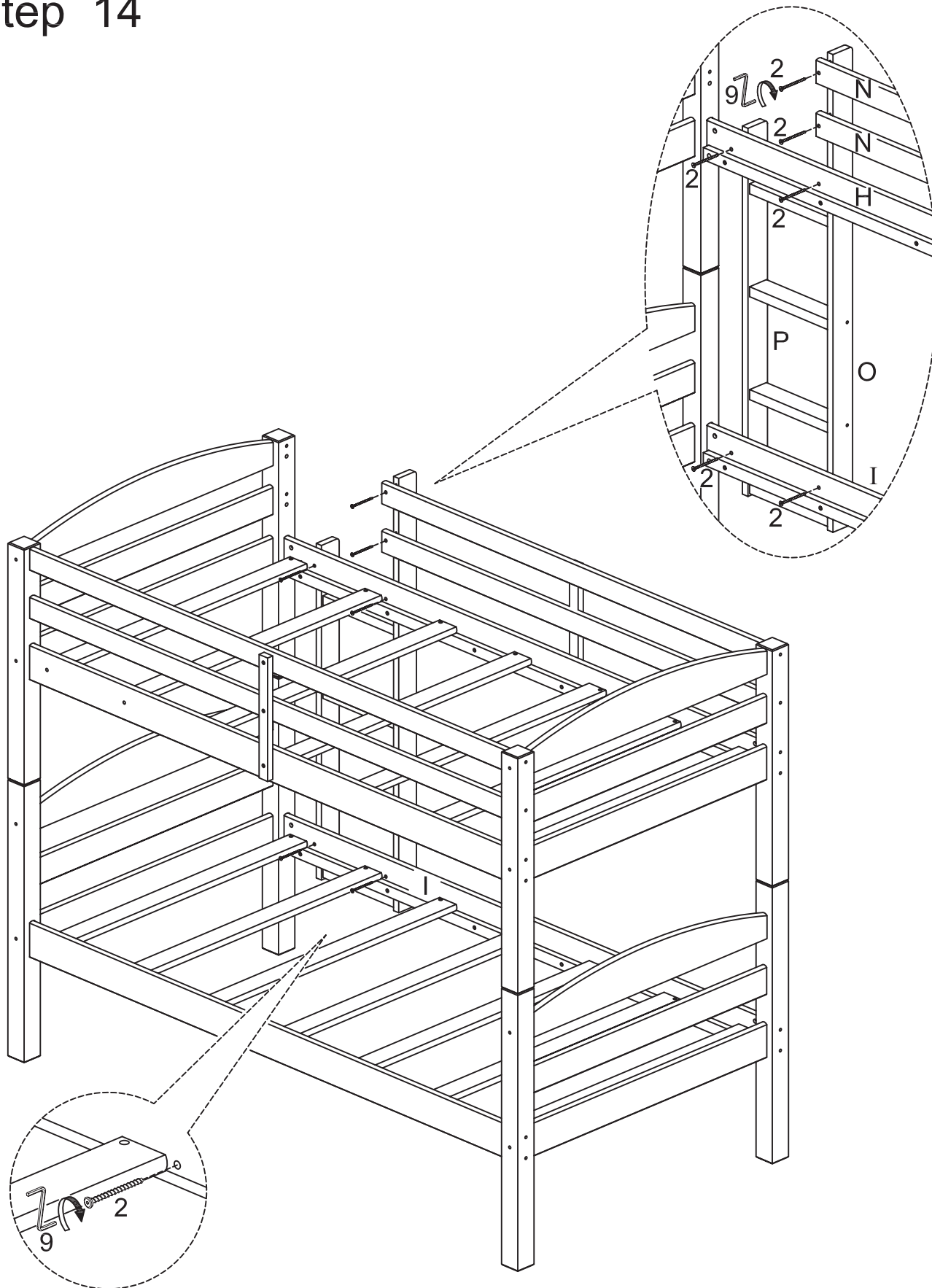
To build the ladder, attach ladder side rails (O,P) to ladder rungs (Q) using wood joint connectors (2).

Step 13



Carefully lift and place the upper bunk assembly onto the lower bunk assembly using wood dowels (6) as guides.

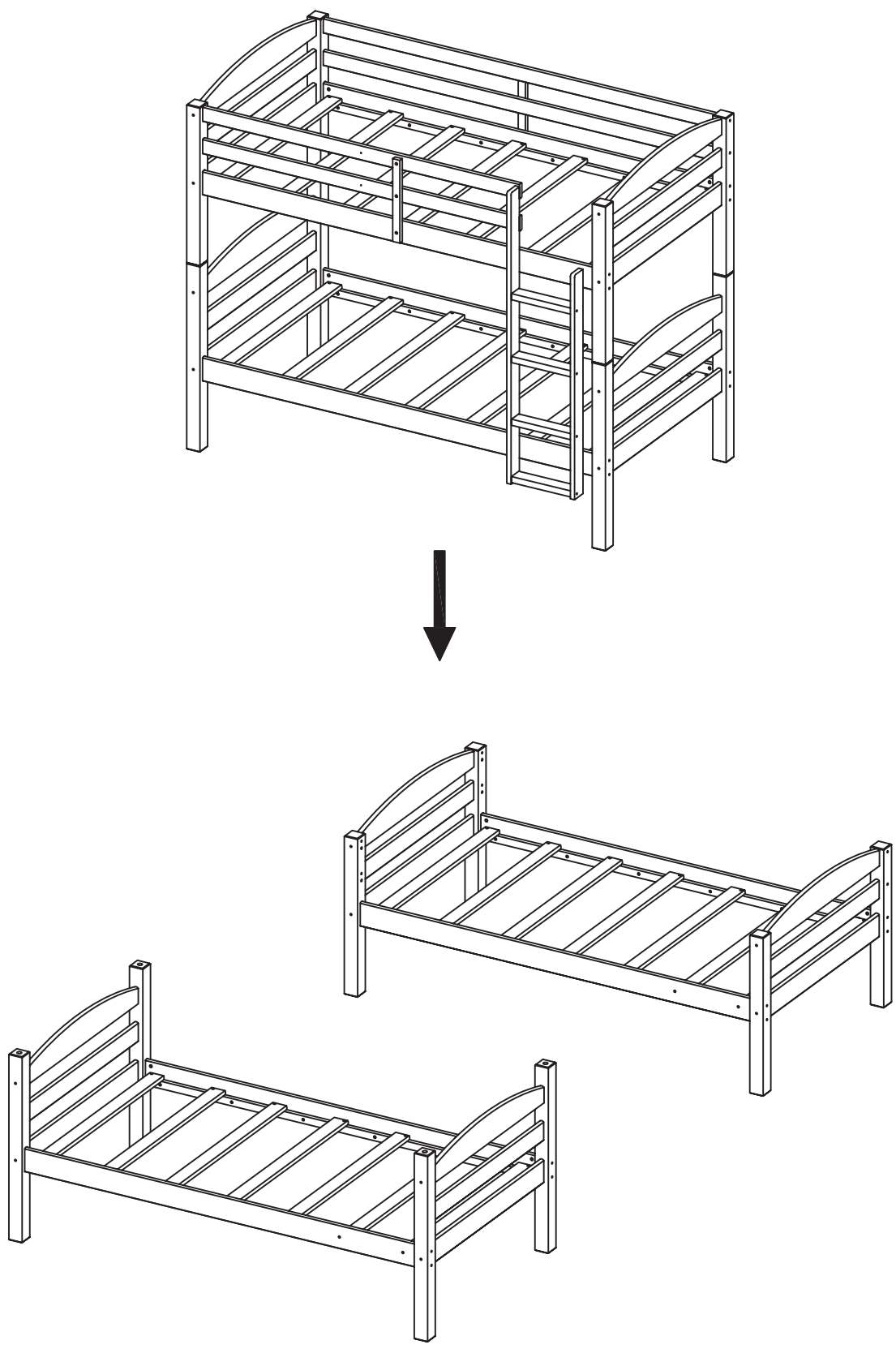
Step 14



Attach the ladder to the bunk bed assembly using wood joint connectors (2).

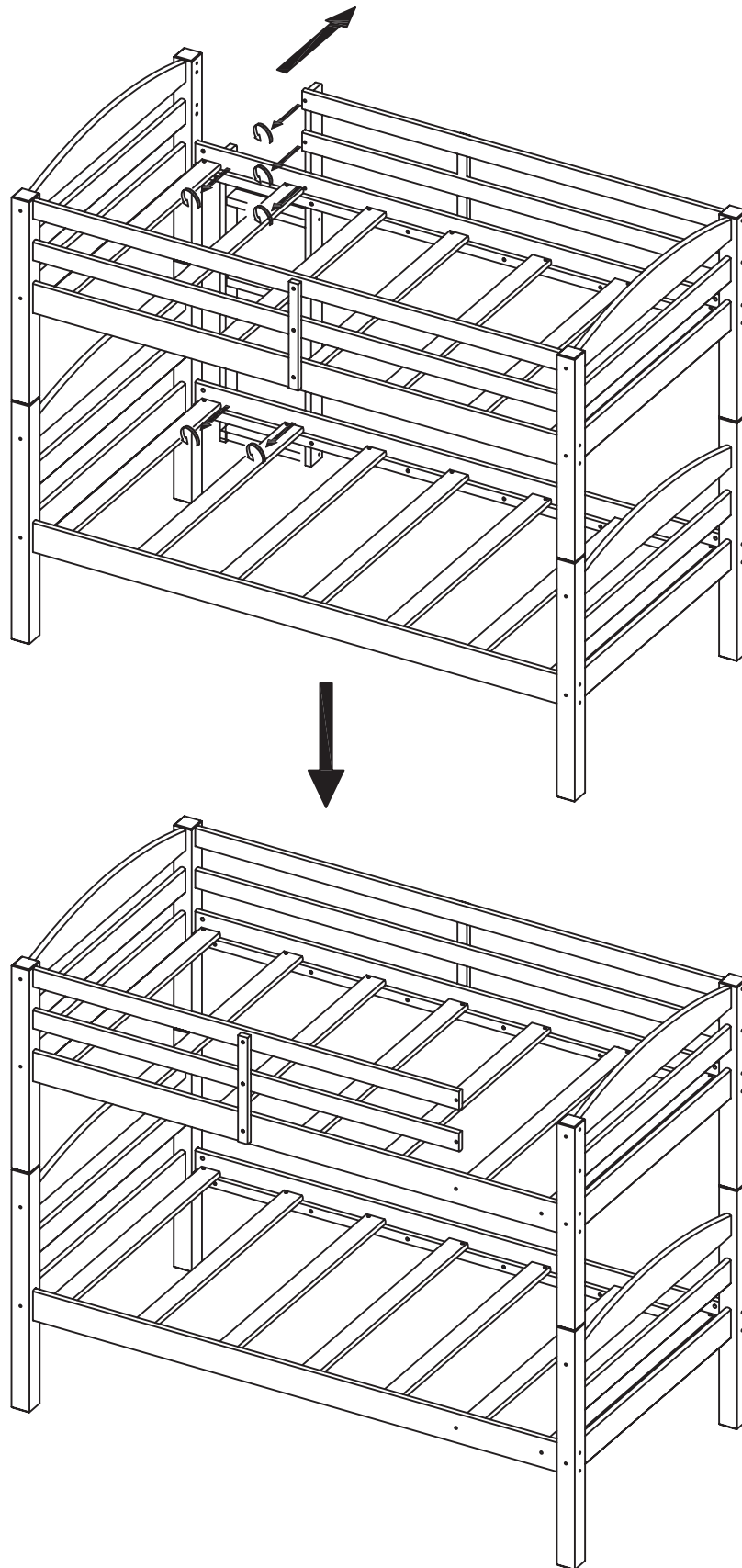
Option A Final Assembly

Step 15



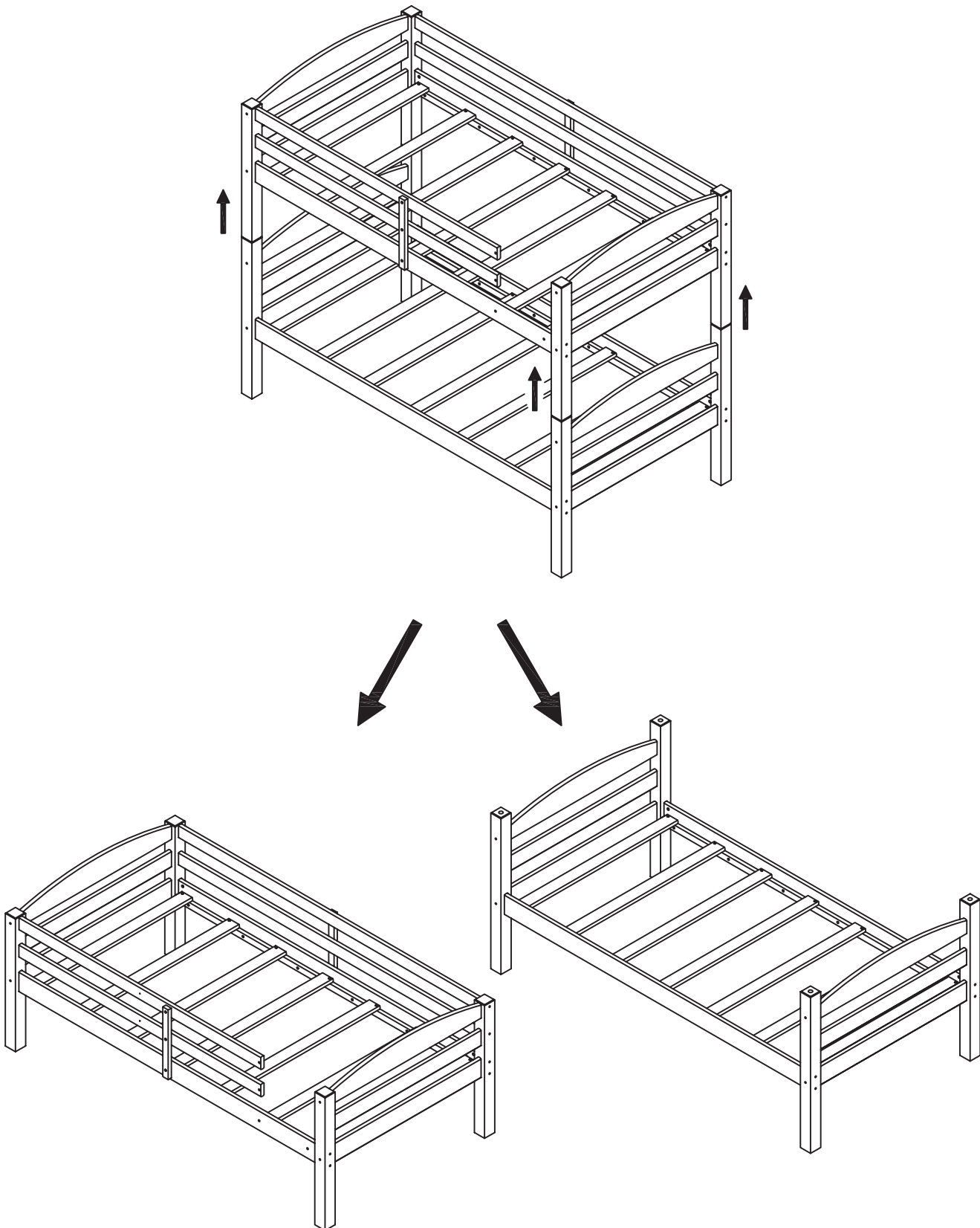
Option B
Conversion into Two Single Twin Beds

Step 16



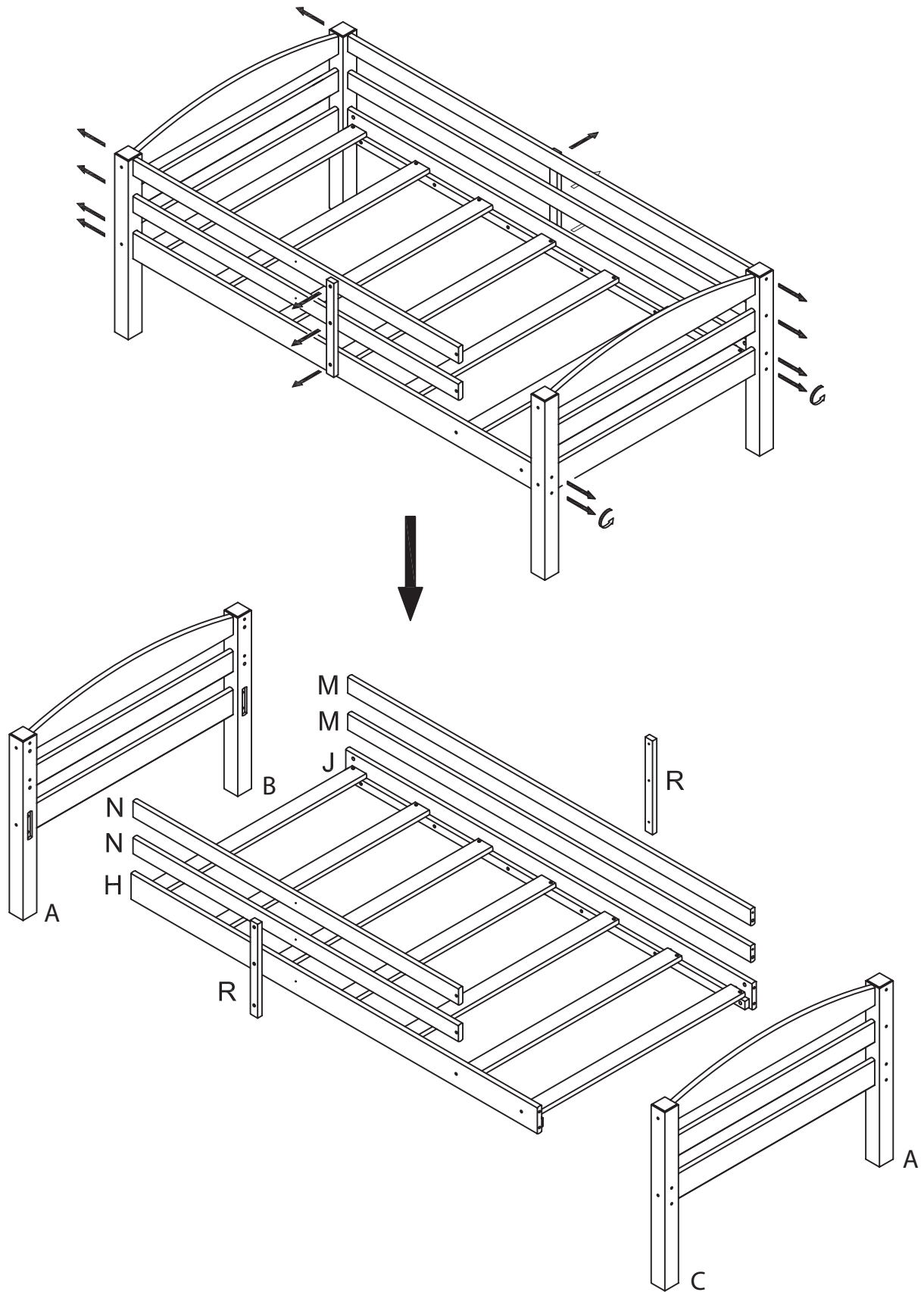
Loosen the appropriate hardware and remove the ladder from the bunk bed assembly.

Step 17



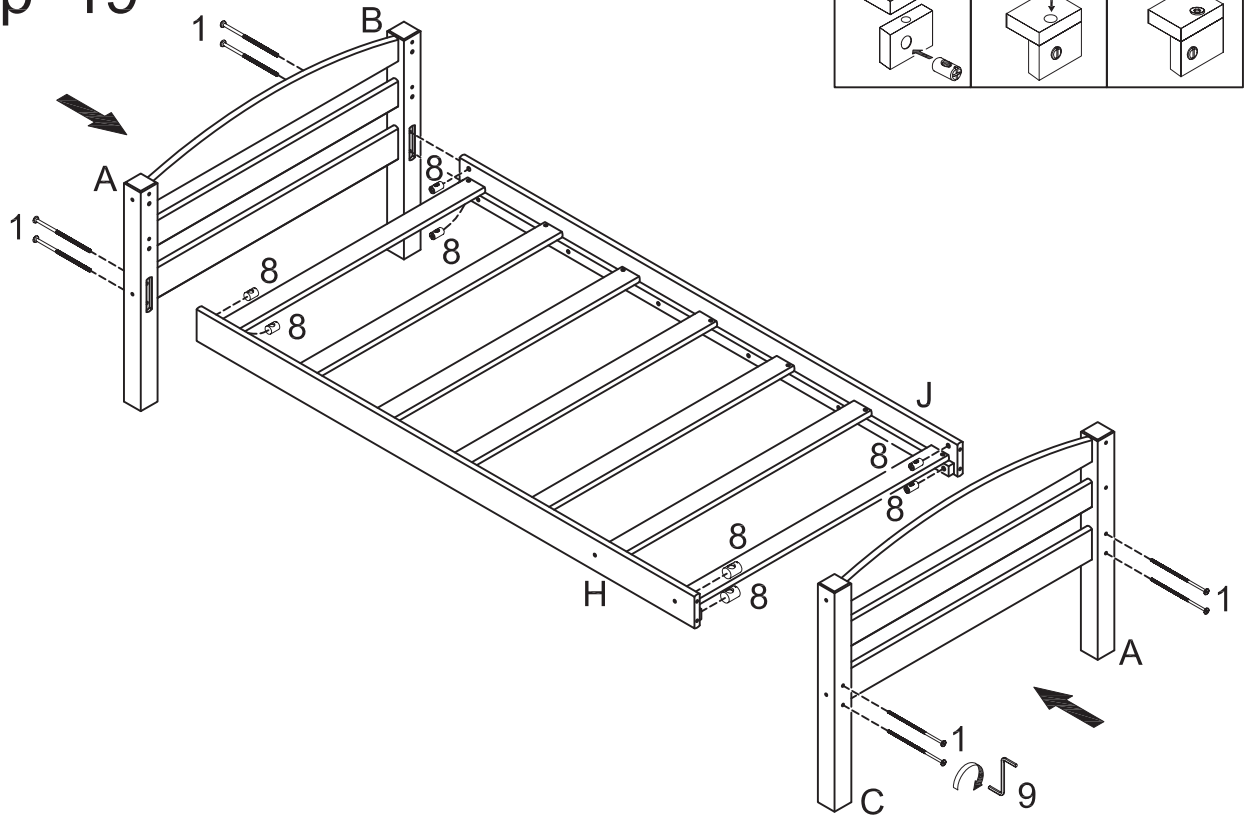
Carefully lift the upper bunk off of the lower bunk.

Step 18



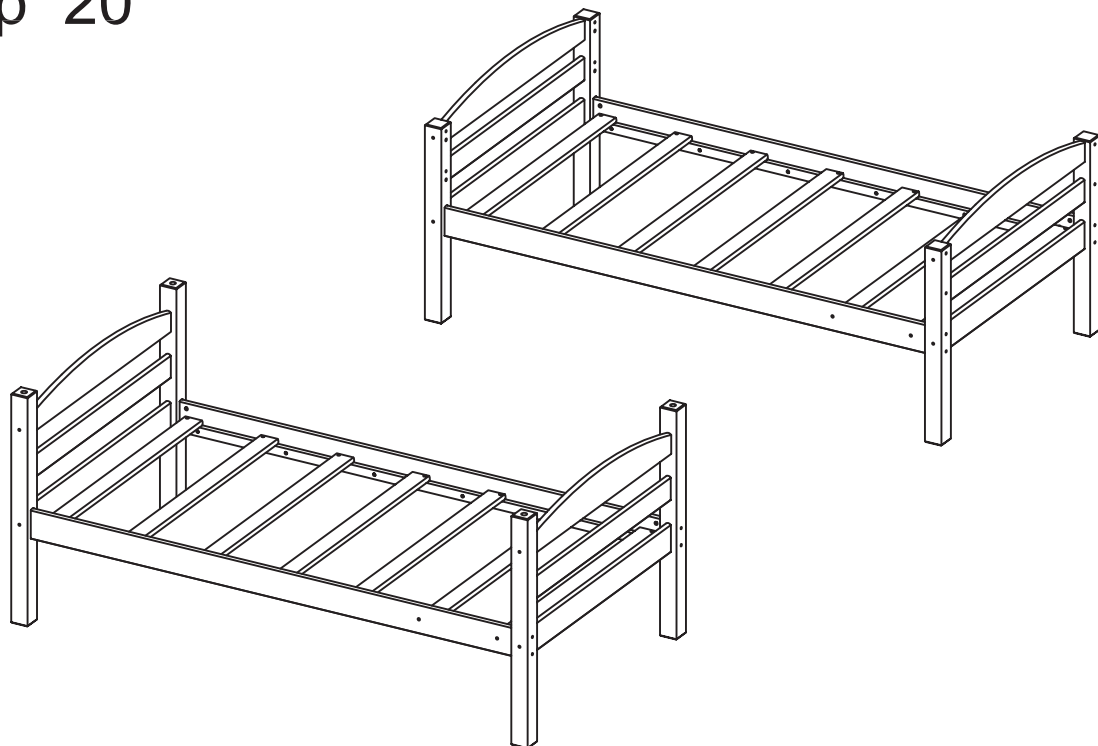
Loosen the appropriate hardware of the upper bunk so that the guardrails and leg assemblies are no longer connected to the bed assembly.

Step 19



Insert barrel nuts (8) into either end of crossbeams (H,J). Attach legs (A,B) and legs (A,C) to crossbeams (H,J) using joint connectors (1). Joint connectors (1) will screw through the bottom set of holes on each leg and into barrel nuts (8).

Step 20



Option B
Final Assembly