

**W** Walker  
Edison  
furniture company

Item #: BTOT  
Assembly Instructions



*For our most current instructions, to request missing, lost or broken parts, or for any other Customer Service issues, please visit our website at [www.walkeredison.com](http://www.walkeredison.com) or call us at 877-207-5906.*

Revised 02/2011



## Instruction Manual

### ***IMPORTANT INFORMATION READ BEFORE ASSEMBLING THIS PRODUCT***

Follow the information on the warning labels found on the bunk bed and on the packaging. Do not remove the warning label from the bed.

Use only a mattress with the dimensions 74-75 in.L x 37.5-38.5 in.W x 9 in.H on the upper bunk. A mattress with the same dimensions (74-75 in.L x 37.5-38.5 in.W x 9 in.H) is recommended for the lower bunk.

The surface of the mattress must be at least 5 in. (127mm) below the upper edge of the guardrails. Mattress must not exceed the maximum thickness of 9 in.

Always use the recommended size of mattress or mattress supports, or both, to help prevent the likelihood of entrapment or falls.

The use of a water or sleep flotation mattress is prohibited.

Replacement parts, including additional guardrails, may be obtained from any of Walker Edison Furniture Company's dealers or by contacting us online at [www.walkerredison.com](http://www.walkerredison.com).

DO NOT use substitute parts. Contact the manufacturer or dealer for replacement parts.

Always use guardrails on the upper bunk. If the bunk bed will be placed next to a wall, the guardrail running the full length of the bed should be placed against the wall to prevent entrapment between the bed and the wall.

Periodically check that the guardrails, ladders and other components of the bed are in their proper position, free from damage and that all connectors are tight.

Always use the ladder to access the upper bunk.

DO NOT allow children under 6 years of age to use the upper bunk.

DO NOT allow horseplay on or under the bed. Prohibit jumping on the bed.

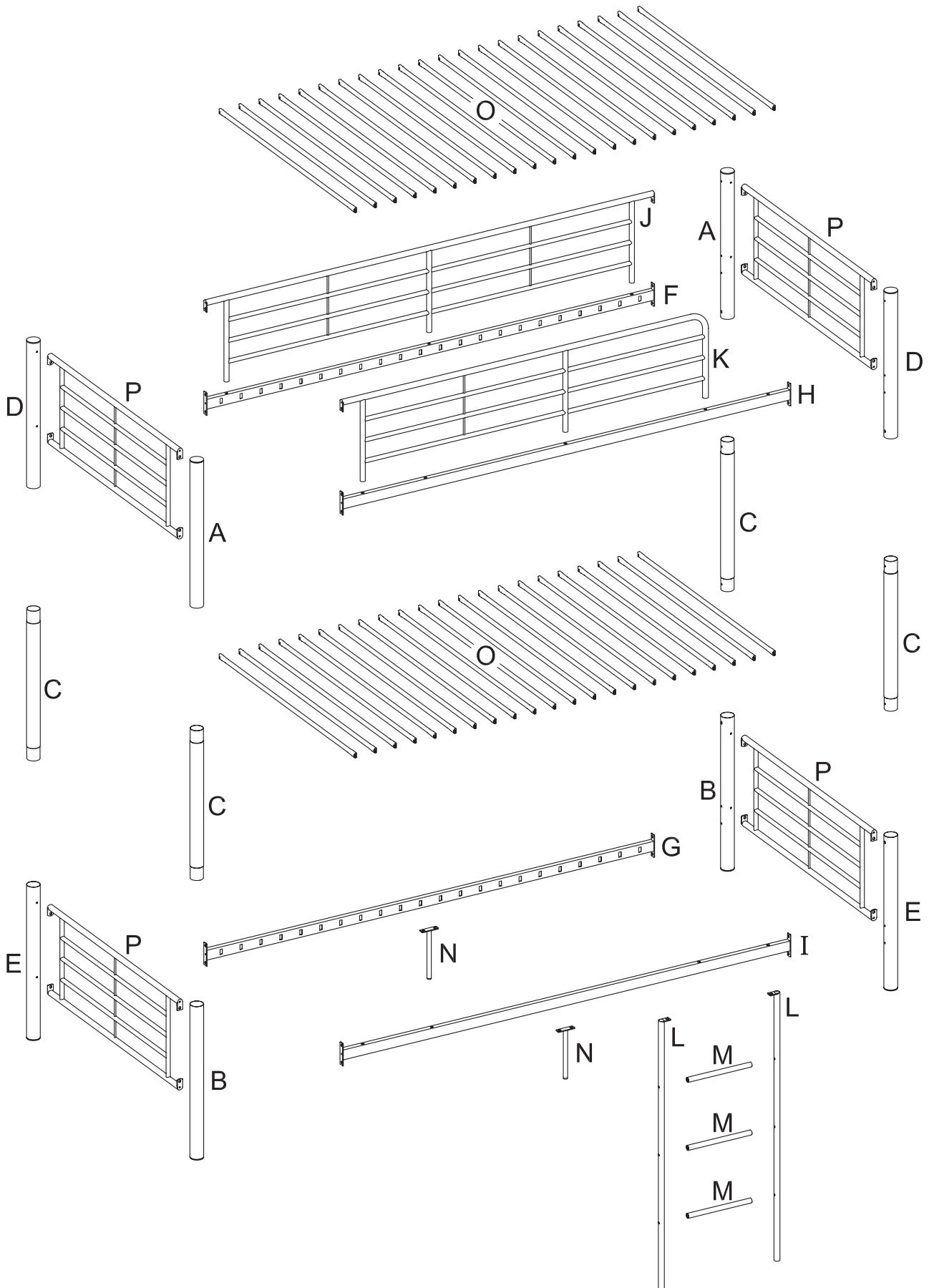
Prohibit more than one person on the upper bunk.

The use of a night light may provide an added safety precaution for a child using the upper bunk.




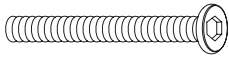
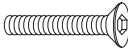

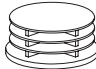
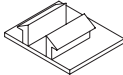
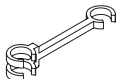

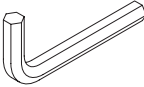
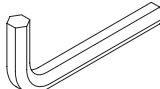
**STRANGULATION HAZARD** – Never attach or hang items to any part of the bunk bed that are not designed for use with the bed; including but not limited to hooks, belts and jump ropes.

Keep these instructions for future reference.

# Parts List



# Hardware List

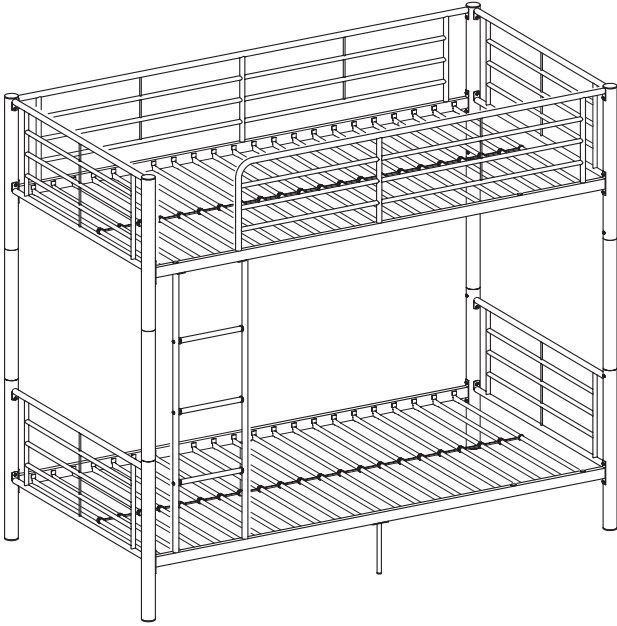
1		Ø1/4"x5/8"	Small bolt	49 pcs
2		Ø16	Small washer	48 pcs
3		Ø18	Large washer	8 pcs
4		Ø5/16"x2-1/4"	Large bolt	8 pcs
5		Ø1/4"x1-1/4"	Medium bolt	6 pcs
6			Washer	6 pcs
7			Plastic end cap	8 pcs
8			Plastic tab lock	88 pcs
9			Plastic link	42 pcs
10			Plastic plug	24 pcs
11		M4.0mm	Small wrench	1 pc
12		M5.0mm	Large wrench	1 pc

*The hardware quantities listed above are required for proper assembly.  
Some extra hardware may also have been included.*

# Assembly Options

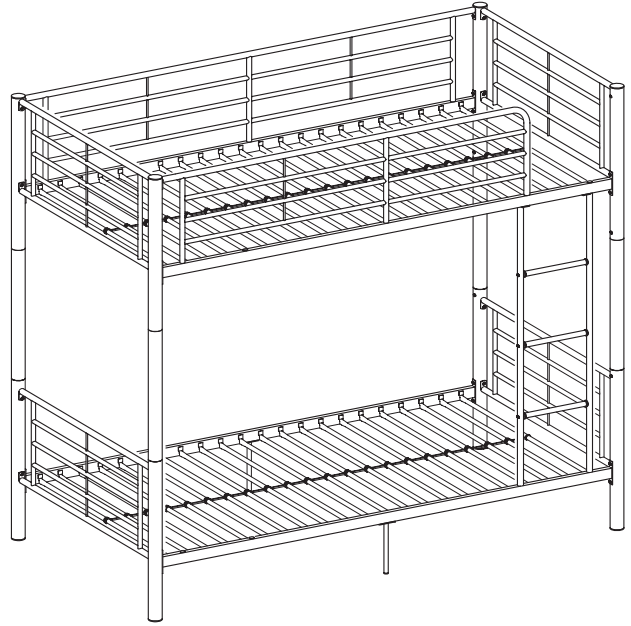
## Option A (Ladder Left)

To build this option, follow steps 1 through 10 then steps 11A through 13A.



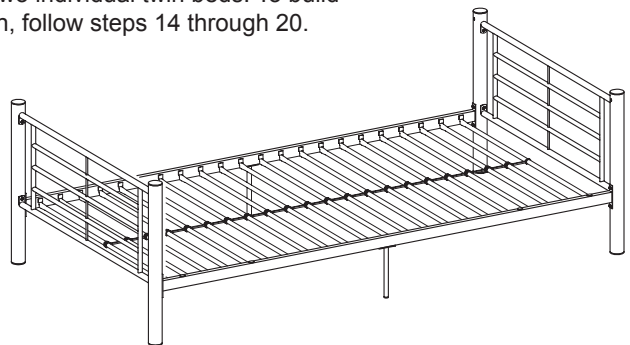
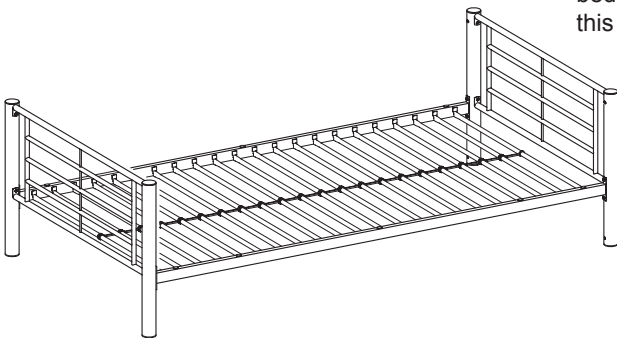
## Option B (Ladder Right)

To build this option, follow steps 1 through 10 then steps 11B through 13B.

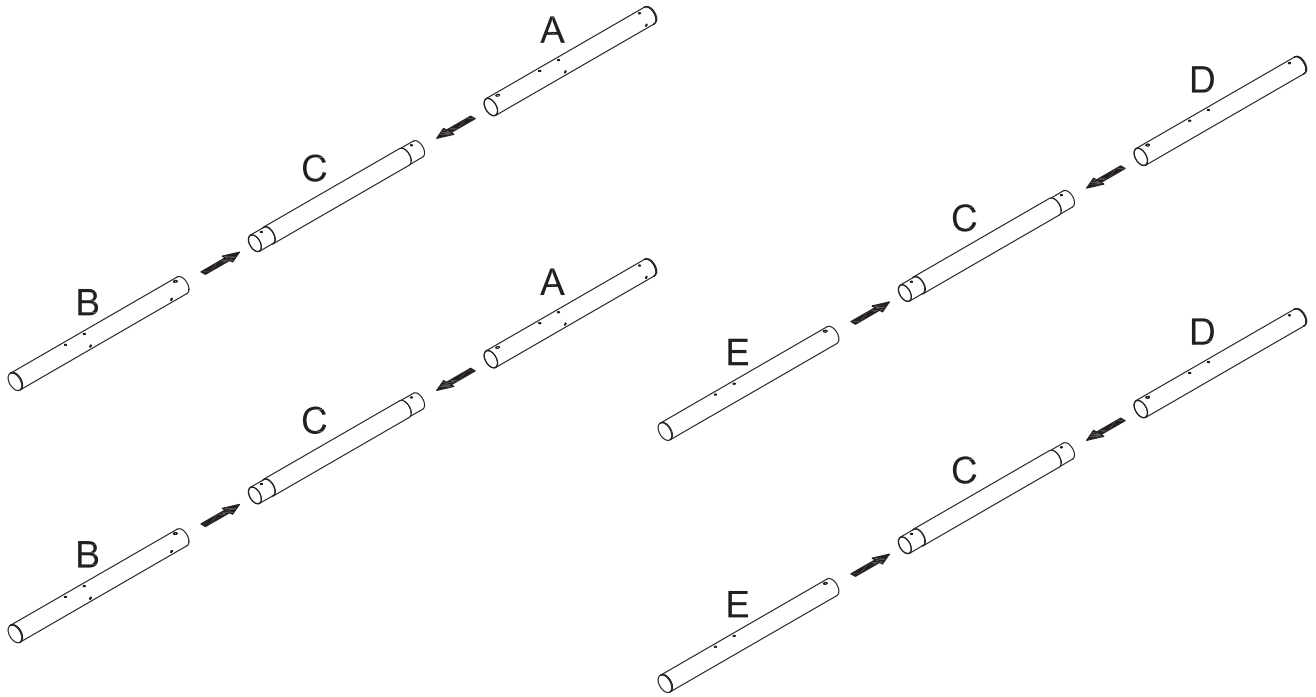


## Option C (Two Twin Beds)

This option shows how to separate the bunk bed into two individual twin beds. To build this option, follow steps 14 through 20.

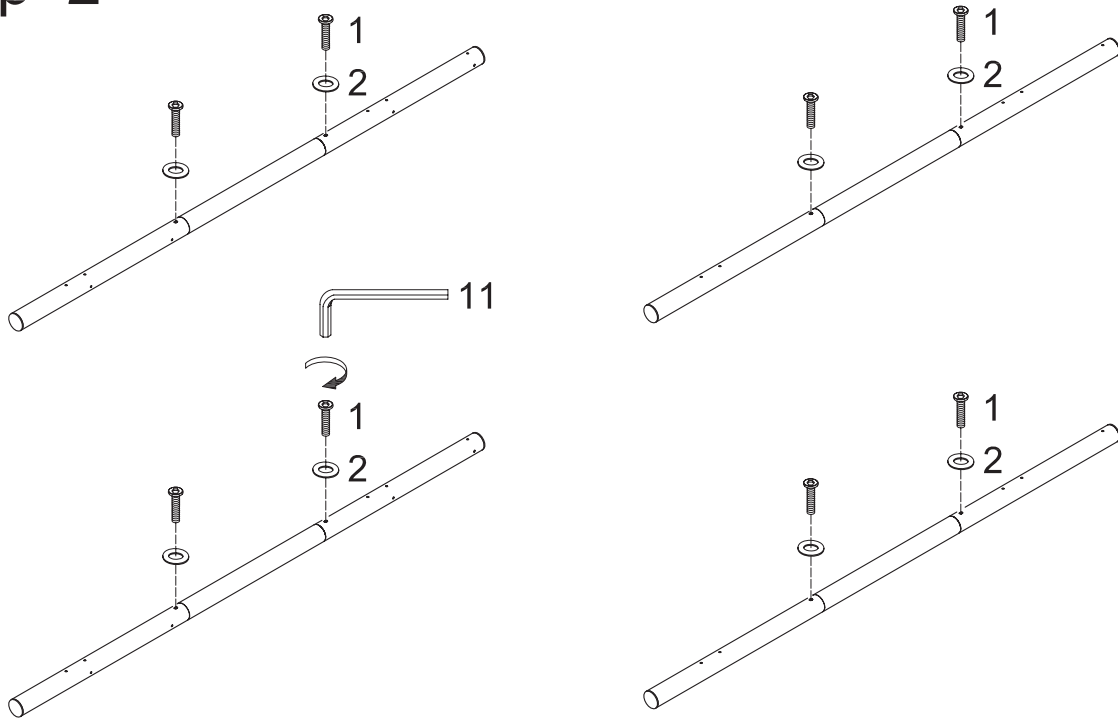


# Step 1



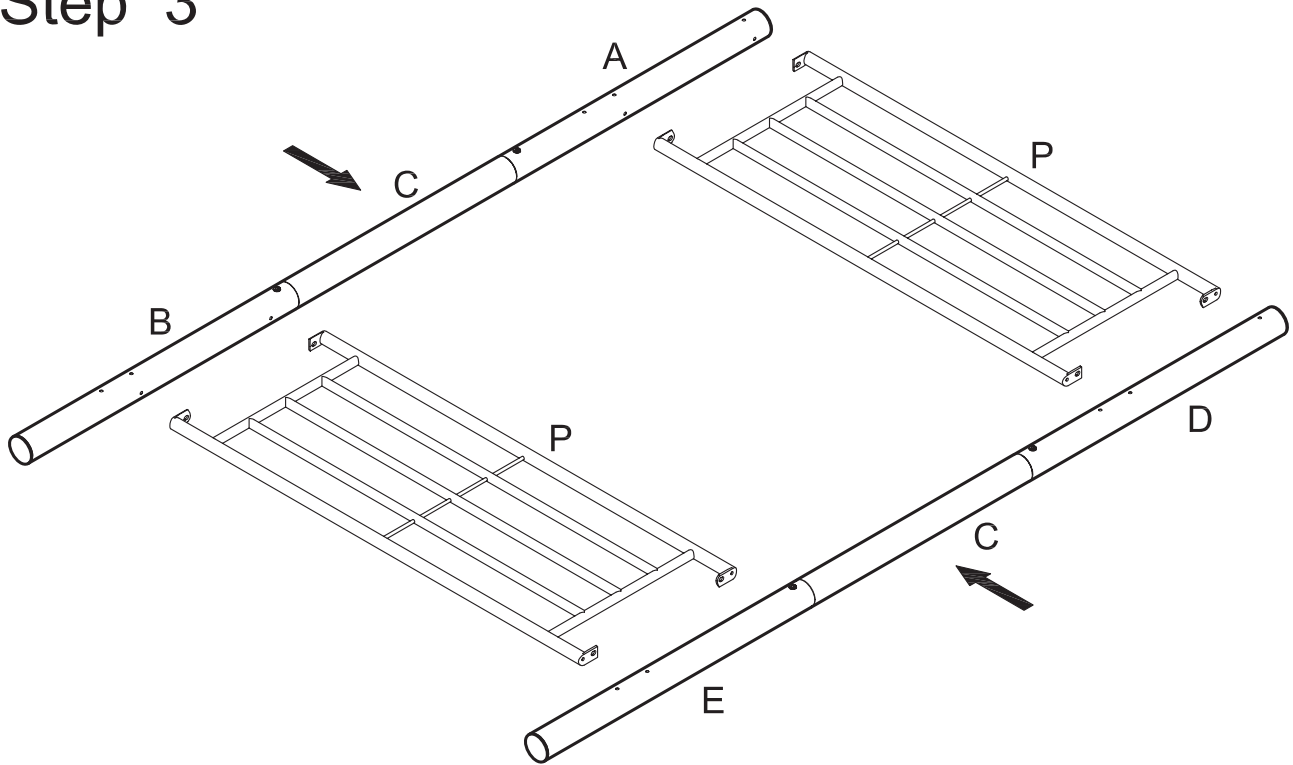
Slide post sections (A,B) and post sections (D,E) onto post sections (C). *Ensure that the holes of all post sections align as shown above.*

# Step 2



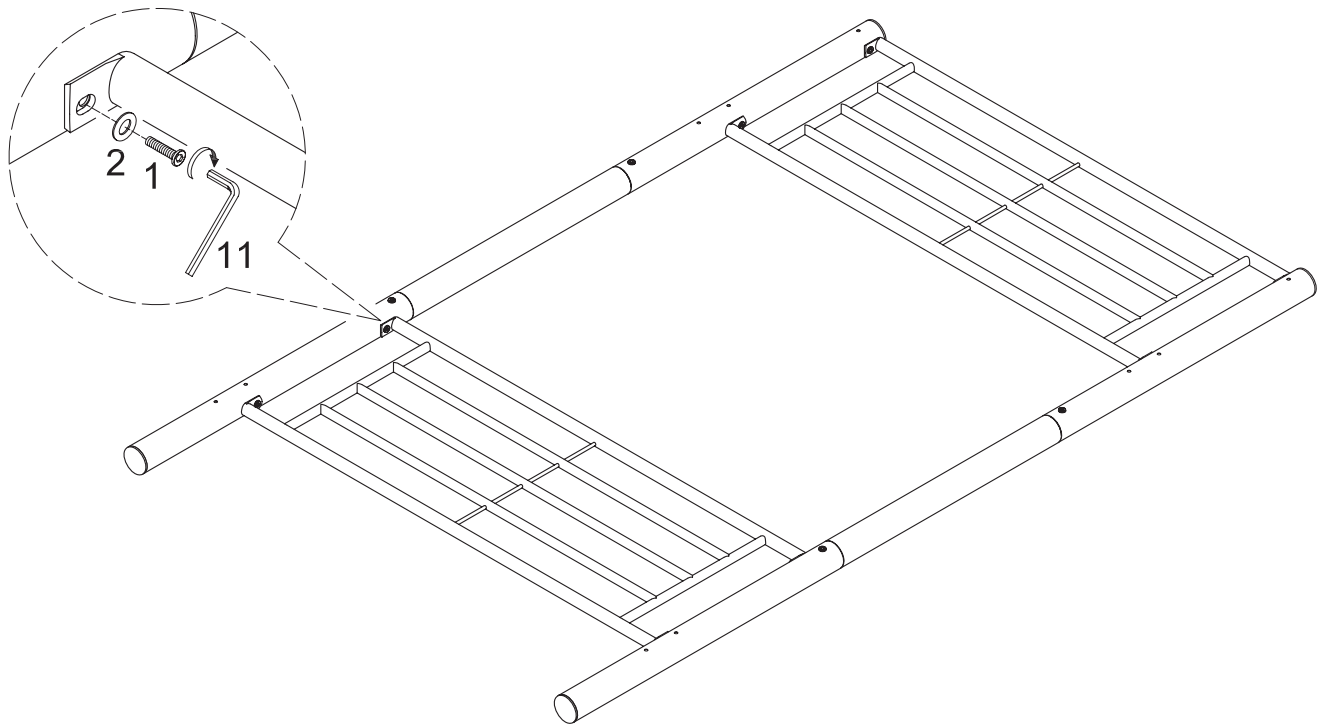
Secure the post sections from STEP 1 together using small bolts (1) with small washers (2). Tighten small bolts (1) with small wrench (11).

## Step 3



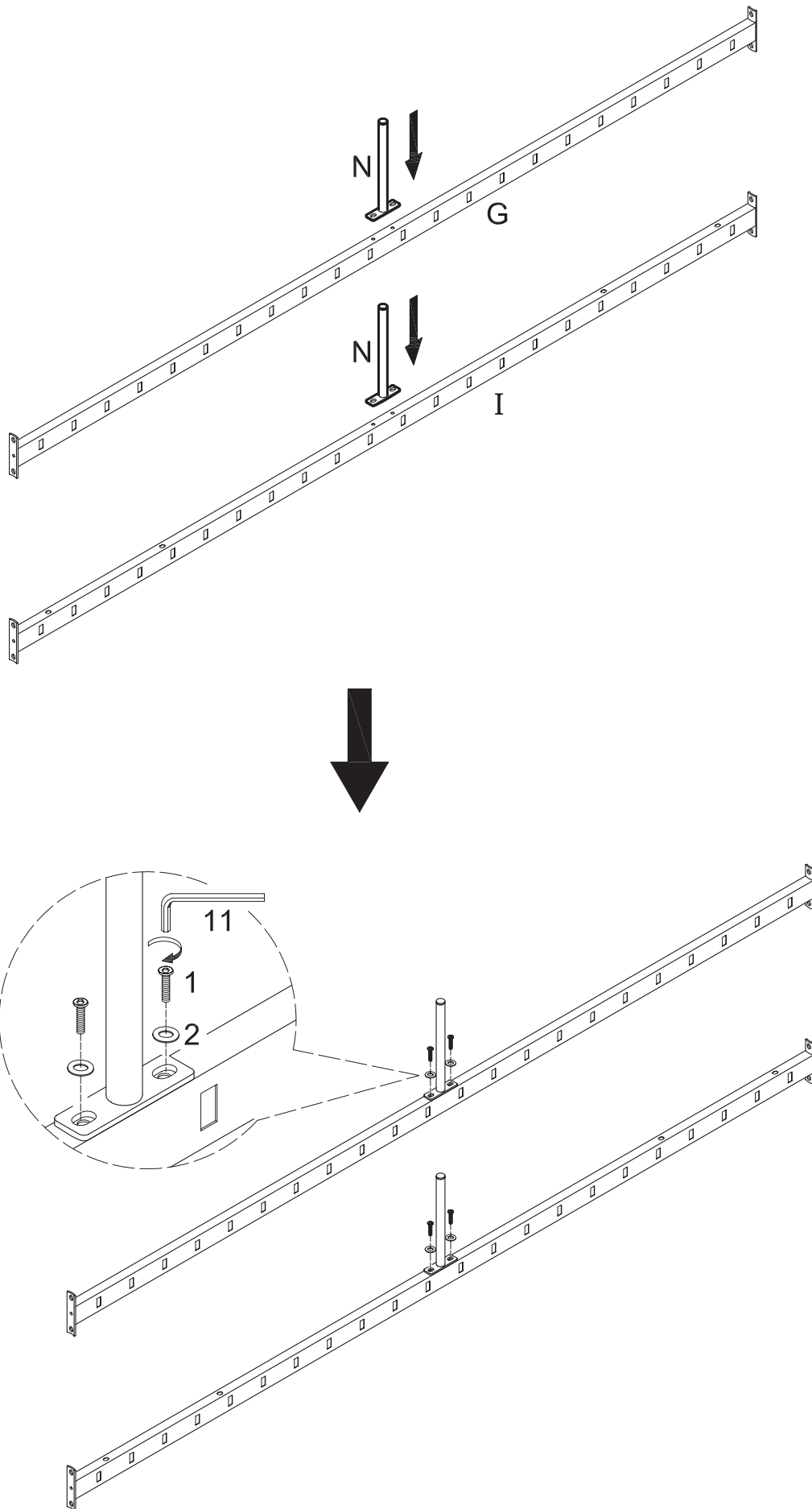
Place guardrails (P) between the assembled posts from STEP 2. Repeat this step for both sets of guardrails and posts.

## Step 4



Secure guardrails (P) to the assembled posts from STEP 2 using small bolts (1) with small washers (2). Tighten small bolts (1) with small wrench (11). Repeat this step for both sets of guardrails and posts.

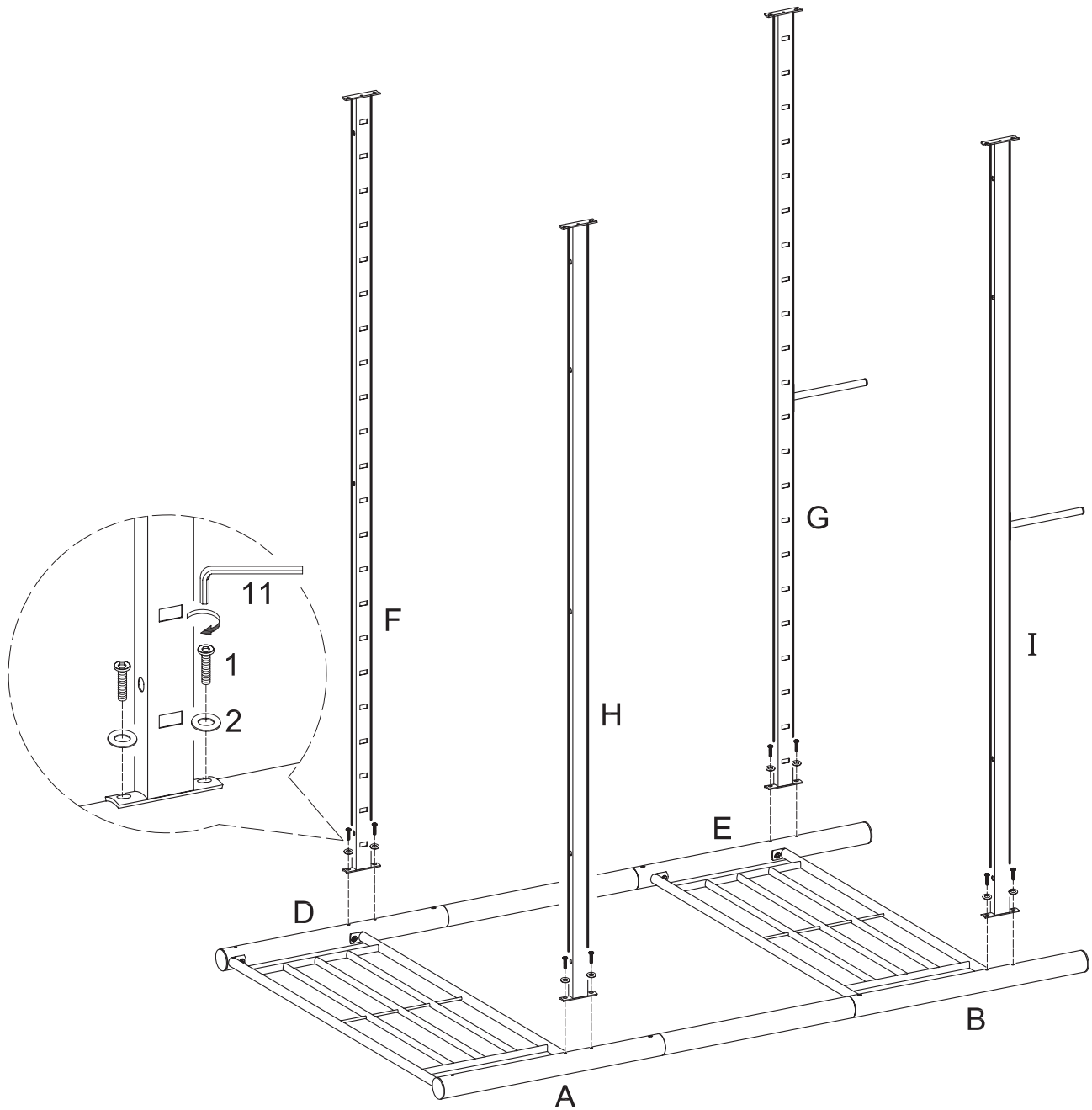
# Step 5



Attach support legs (N) to crossbars (G,I) using small bolts (1) with small washers (2). Tighten small bolts (1) with small wrench (11).

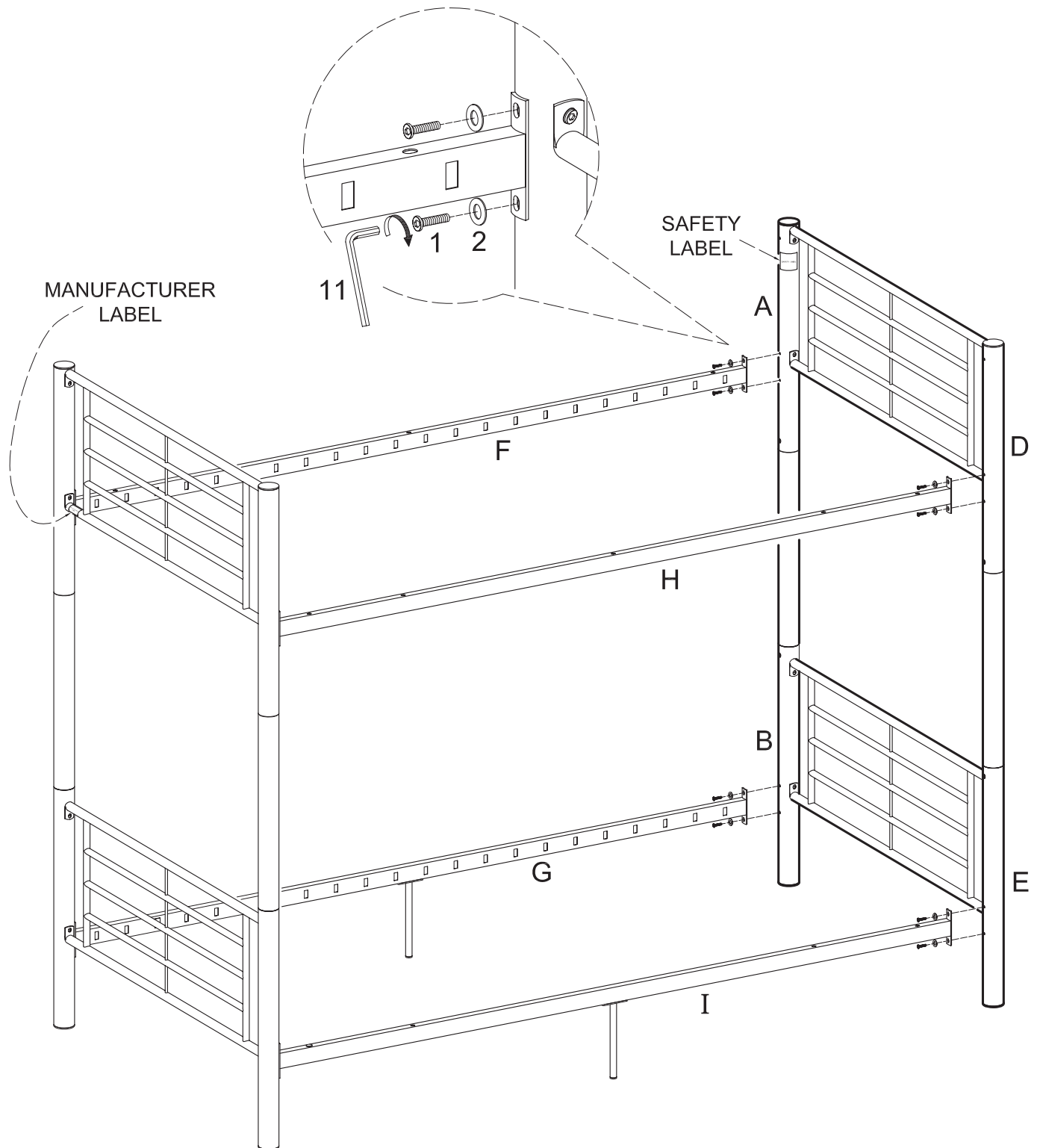


# Step 6



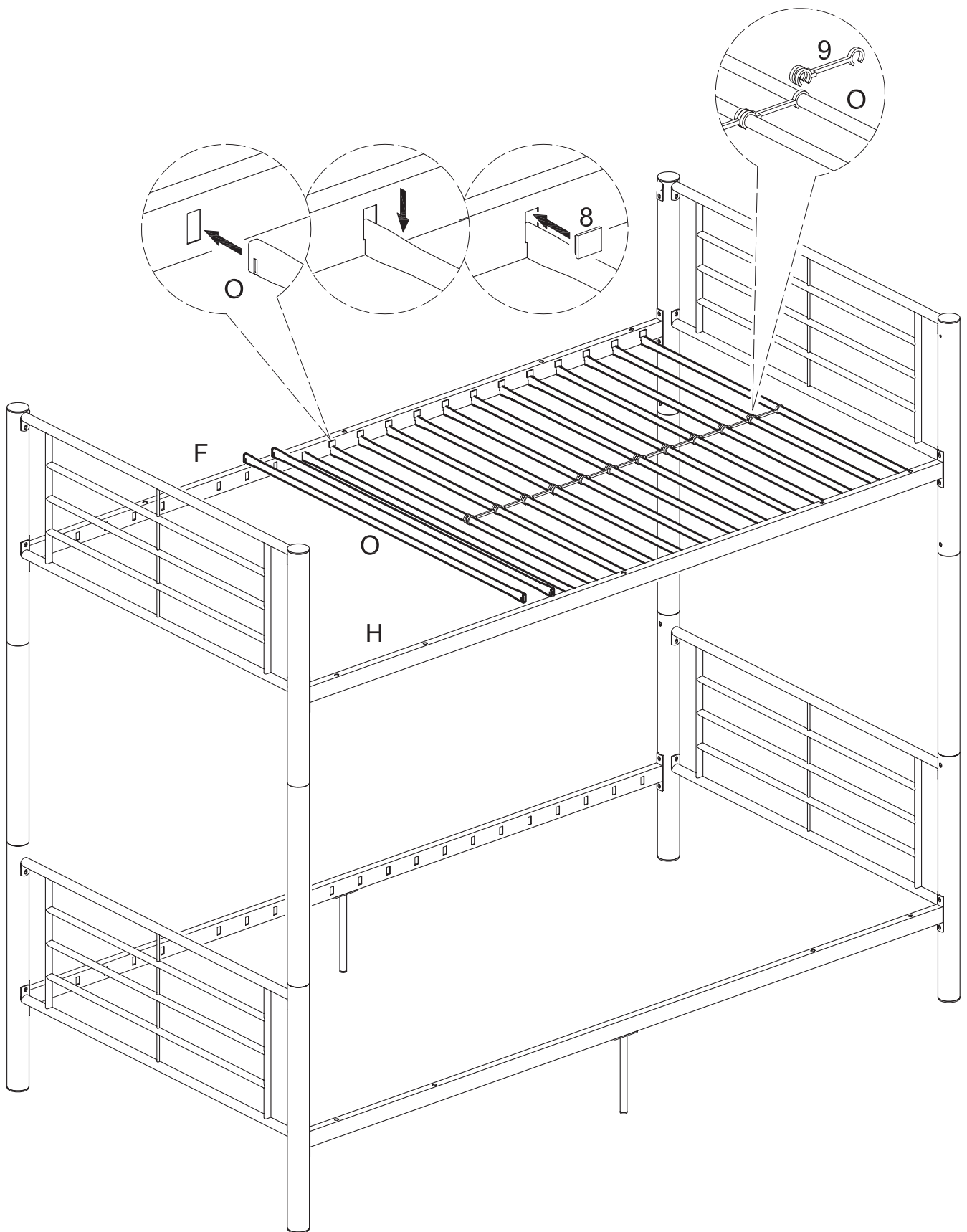
Attach crossbars (F,G,H,I) to corresponding post sections (D,E,A,B) as shown above using small bolts (1) with small washers (2). Tighten small bolts (1) with small wrench (11).

# Step 7



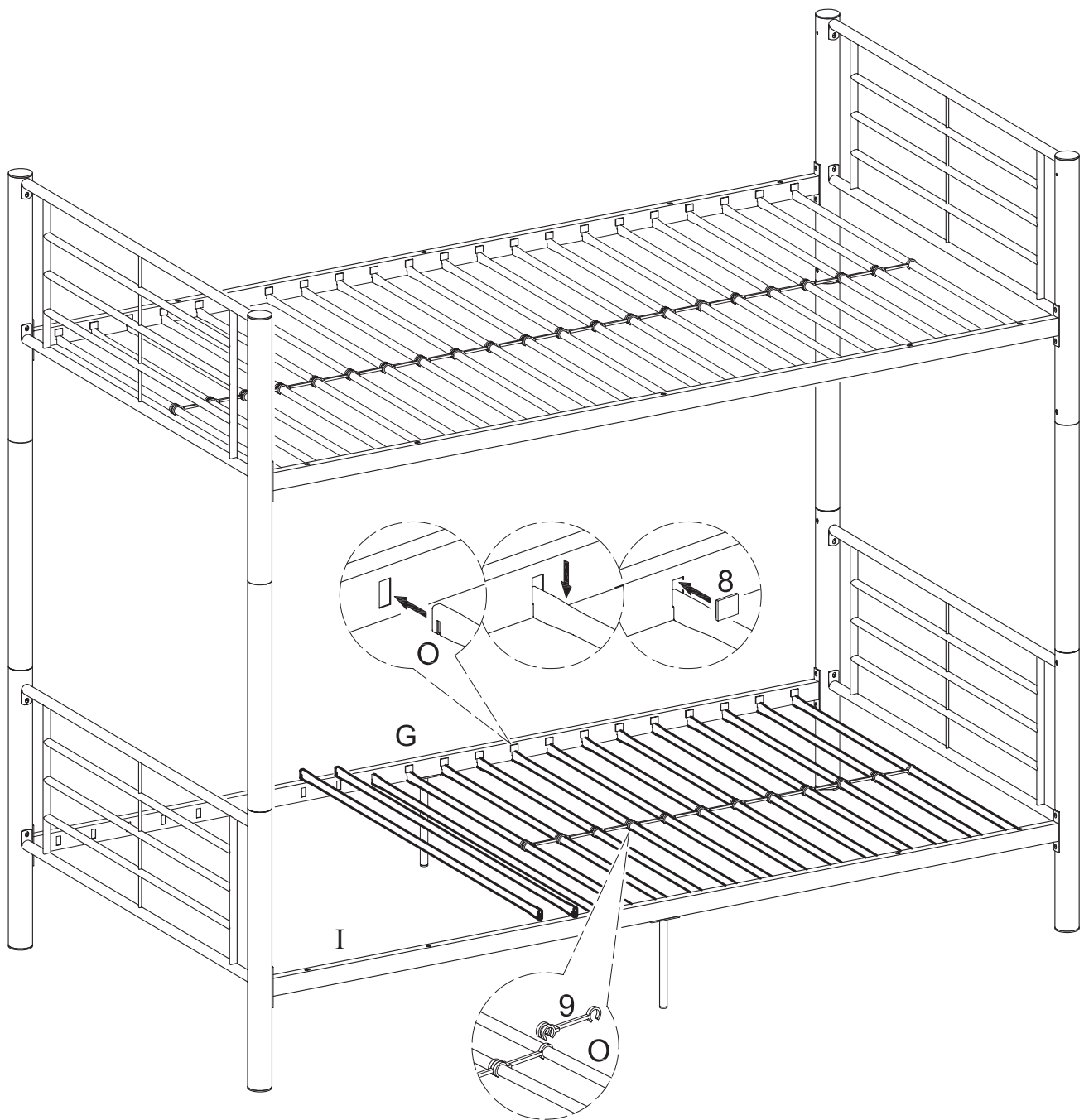
Attach crossbars (F,G,H,I) to corresponding post sections (A,B,D,E) as shown above using small bolts (1) with small washers (2). Tighten small bolts (1) with small wrench (11). *Ensure that the Manufacturer and Safety Labels are positioned as shown above.*

# Step 8



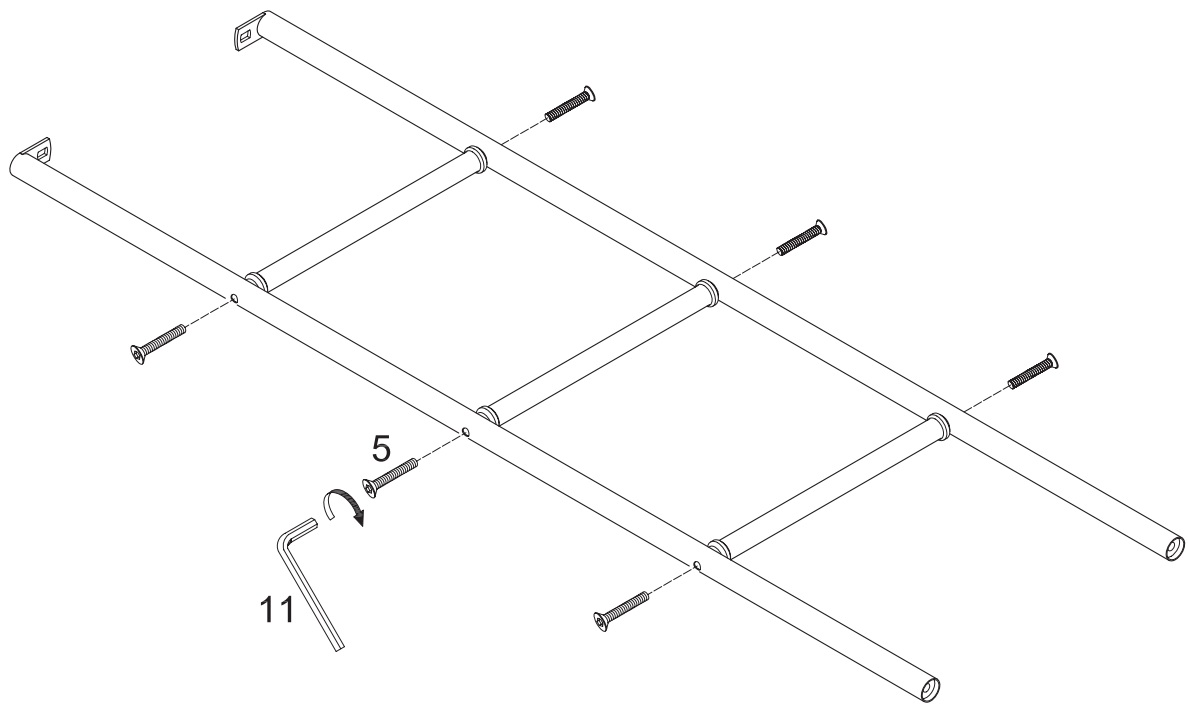
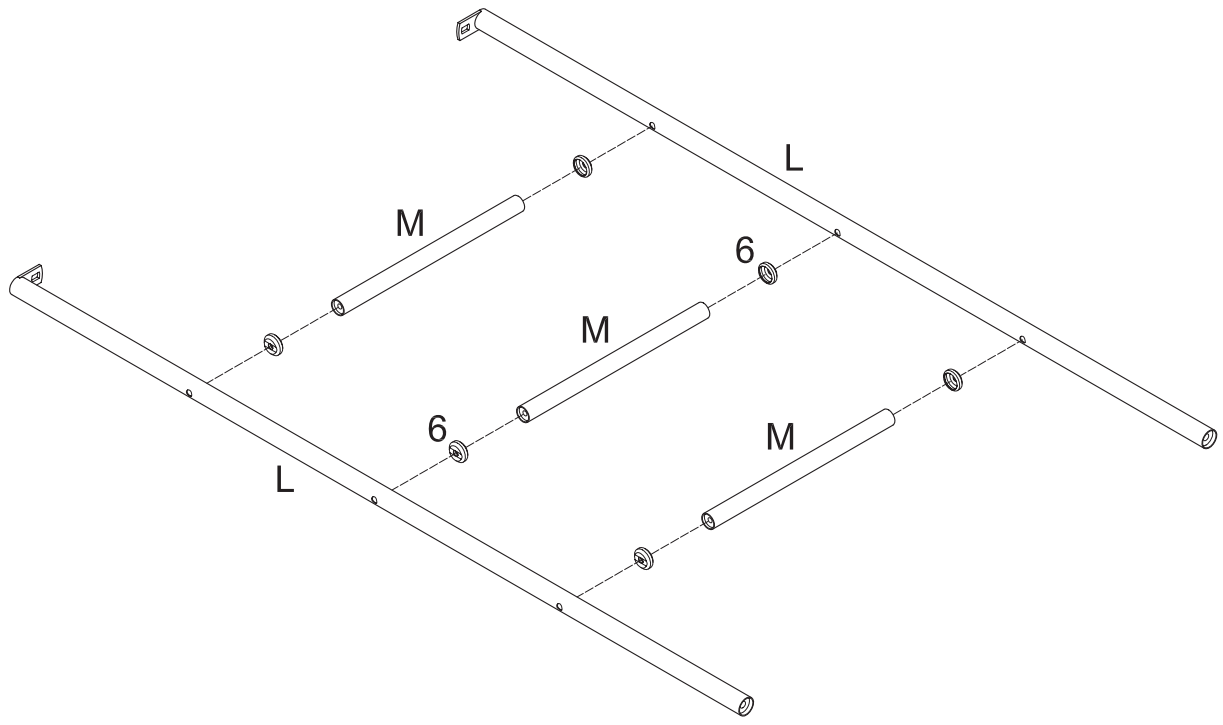
Insert mattress support bars (O) into the slots of crossbars (F,H). Secure mattress support bars (O) by snapping plastic tab locks (8) into the slots of crossbars (F,H). *It may be necessary to apply more pressure to some plastic tab locks than others.* Snap plastic links (9) onto mattress support bars (O).

## Step 9



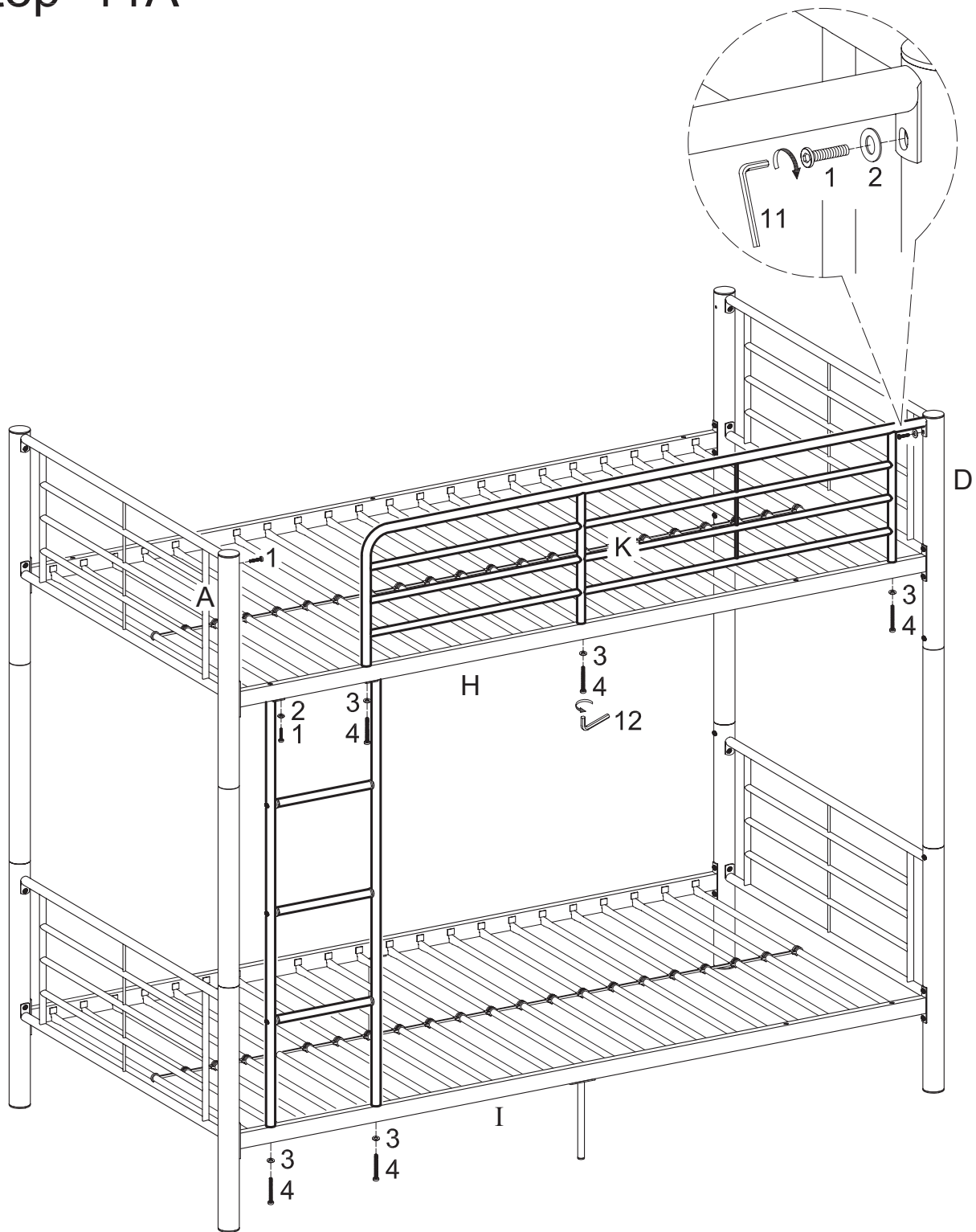
Insert mattress support bars (O) into the slots of crossbars (G,I). Secure mattress support bars (O) by snapping plastic tab locks (8) into the slots of crossbars (G,I). *It may be necessary to apply more pressure to some plastic tab locks than others.* Snap plastic links (9) onto mattress support bars (O).

# Step 10



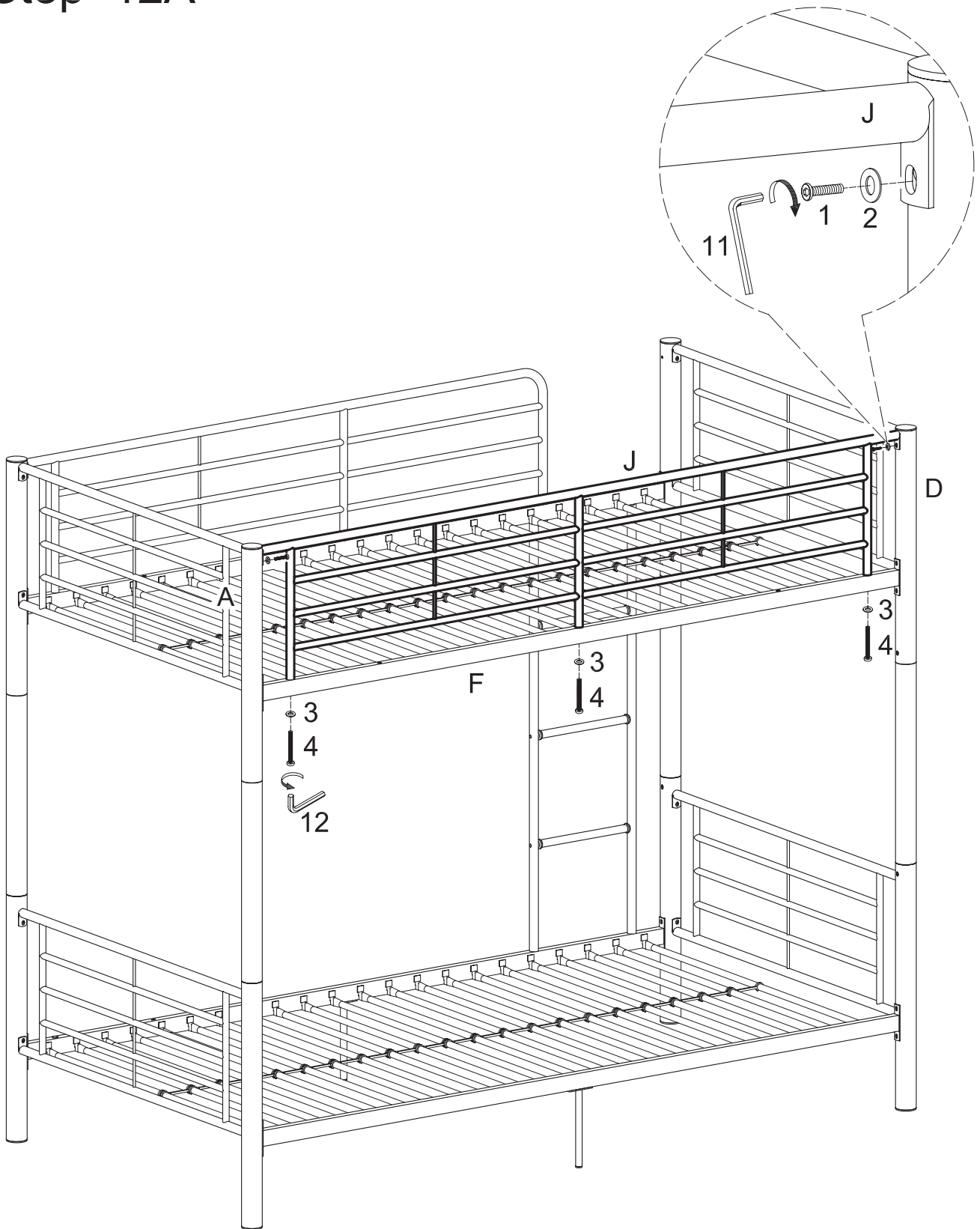
Attach ladder rungs (M) to ladder rails (L) using medium bolts (5) with washers (6). Tighten medium bolts (5) with wrench (11).

# Step 11A



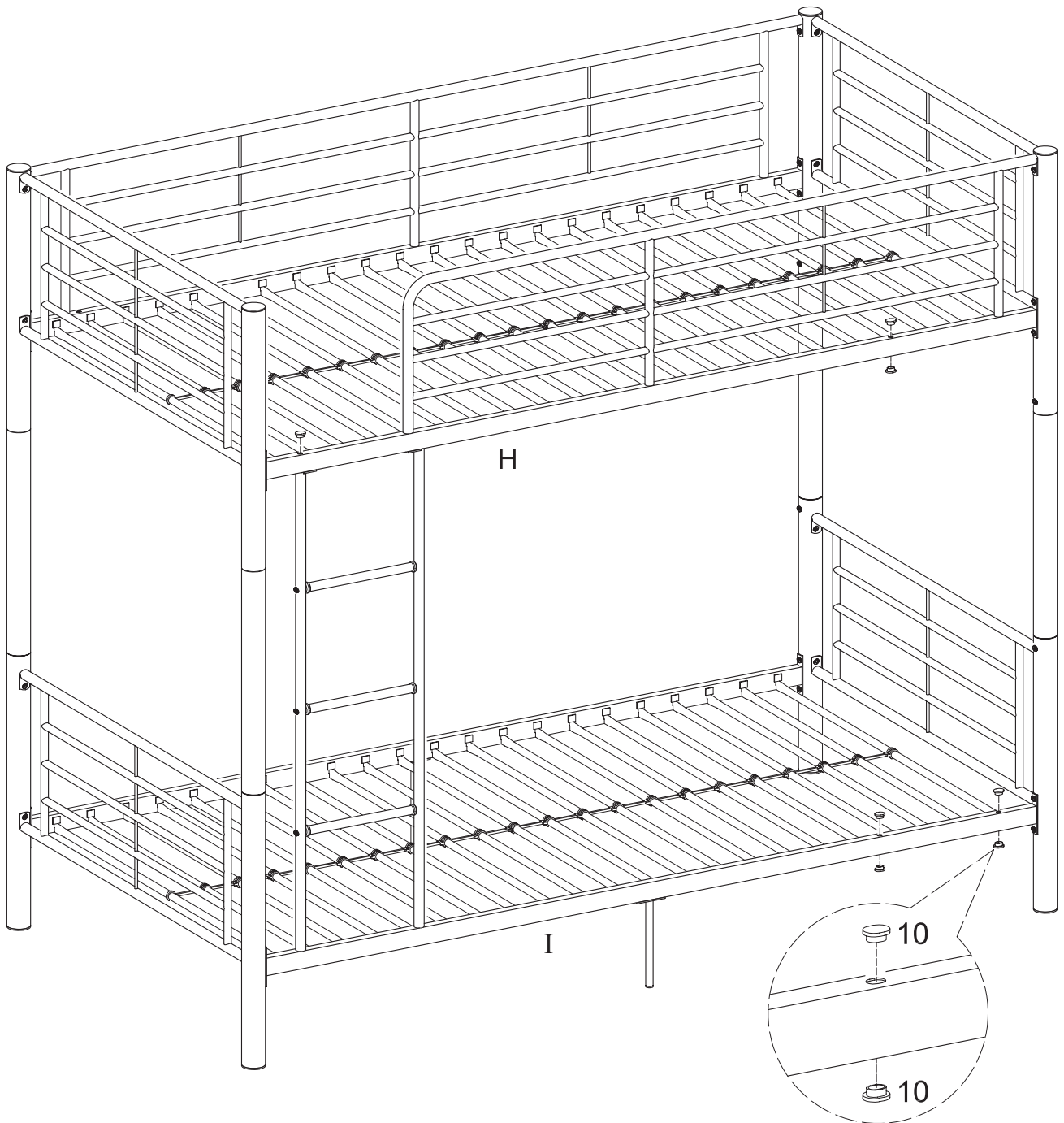
In this step you will attach guardrail (K) and the ladder to the bunk bed. Attach the top right corner of guardrail (K) to post section (D) using small bolt (1) with small washer (2). Attach the top left corner of the ladder to crossbar (H) using small bolt (1) with small washer (2). Secure guardrail (K) and the top right corner of the ladder to crossbar (H) using large bolts (4) with large washers (3). Note that guardrail (K) and the ladder will share a single large bolt (4) where the two pieces meet at crossbar (H). Secure the bottom of the ladder to crossbar (I) using large bolts (4) with large washers (3). Screw small bolt (1) into post section (A). Tighten all bolts with wrenches (11,12).

# Step 12A



Secure guardrail (J) to the bunk bed using small bolts (1) with small washers (2) at post sections (A,D), and large bolts (4) with large washers (3) at crossbar (F). Tighten all bolts with wrenches (11,12).

# Step 13A

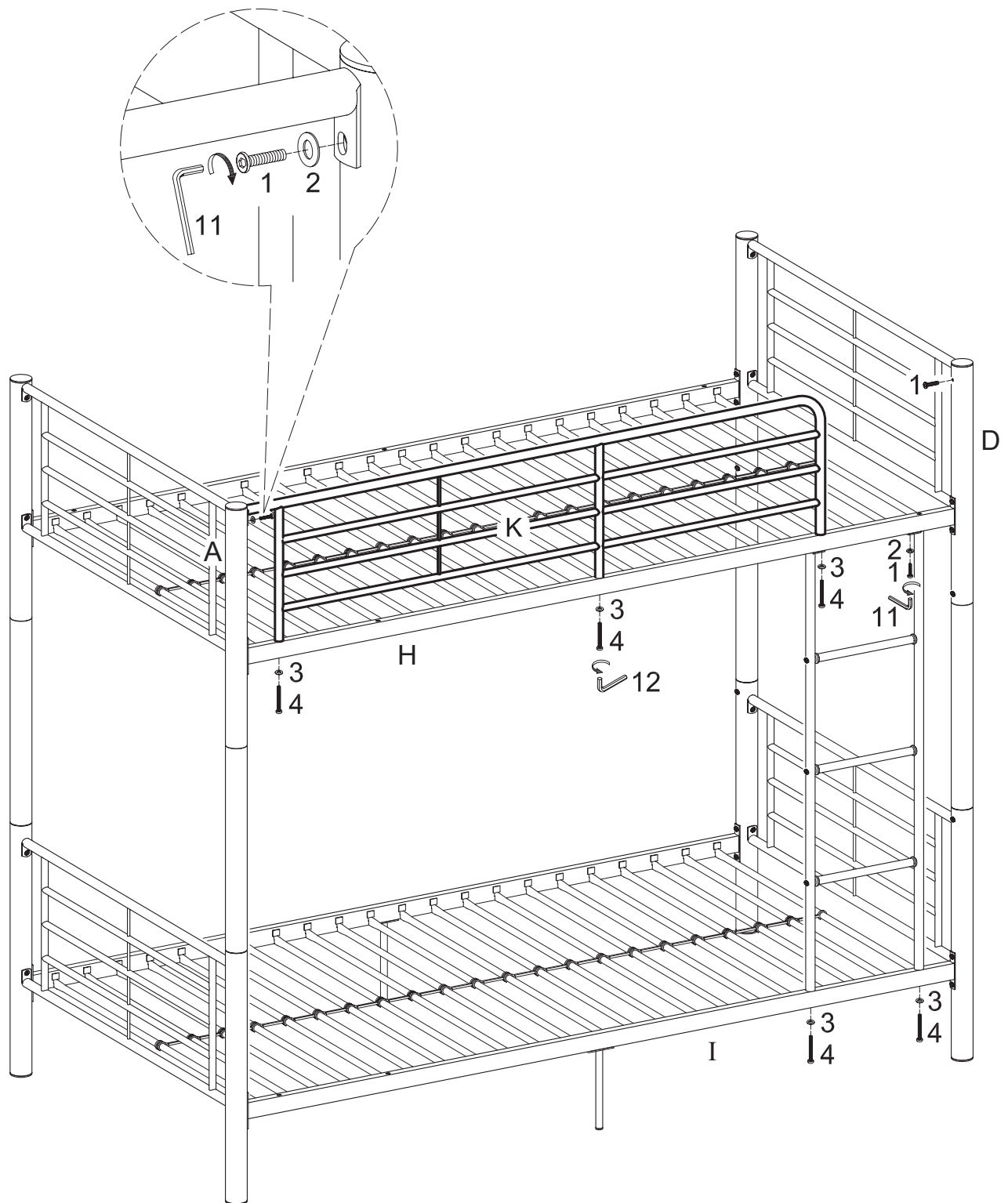


Insert plastic plugs (10) into crossbars (H,I).

Option A Final Assembly

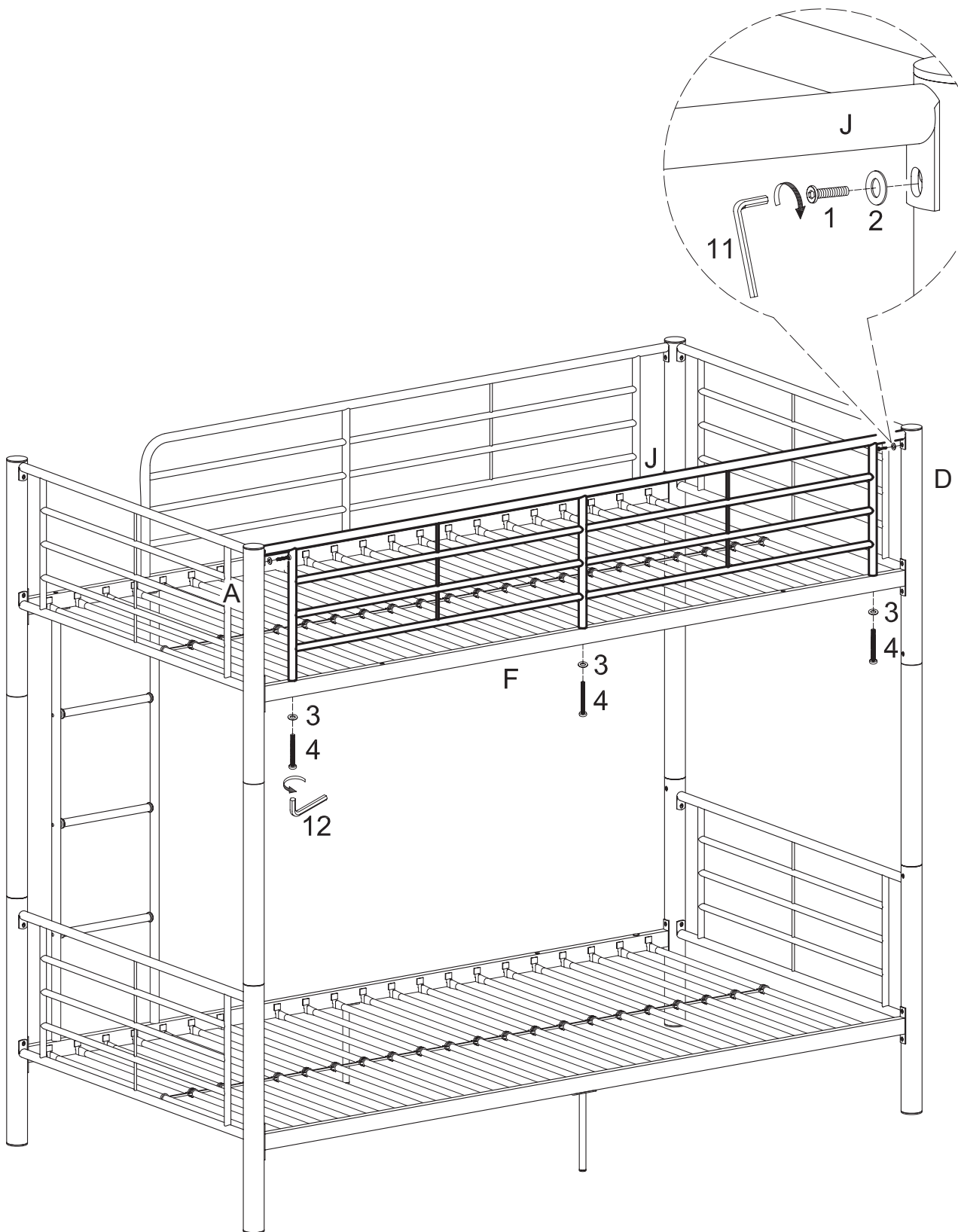


# Step 11B



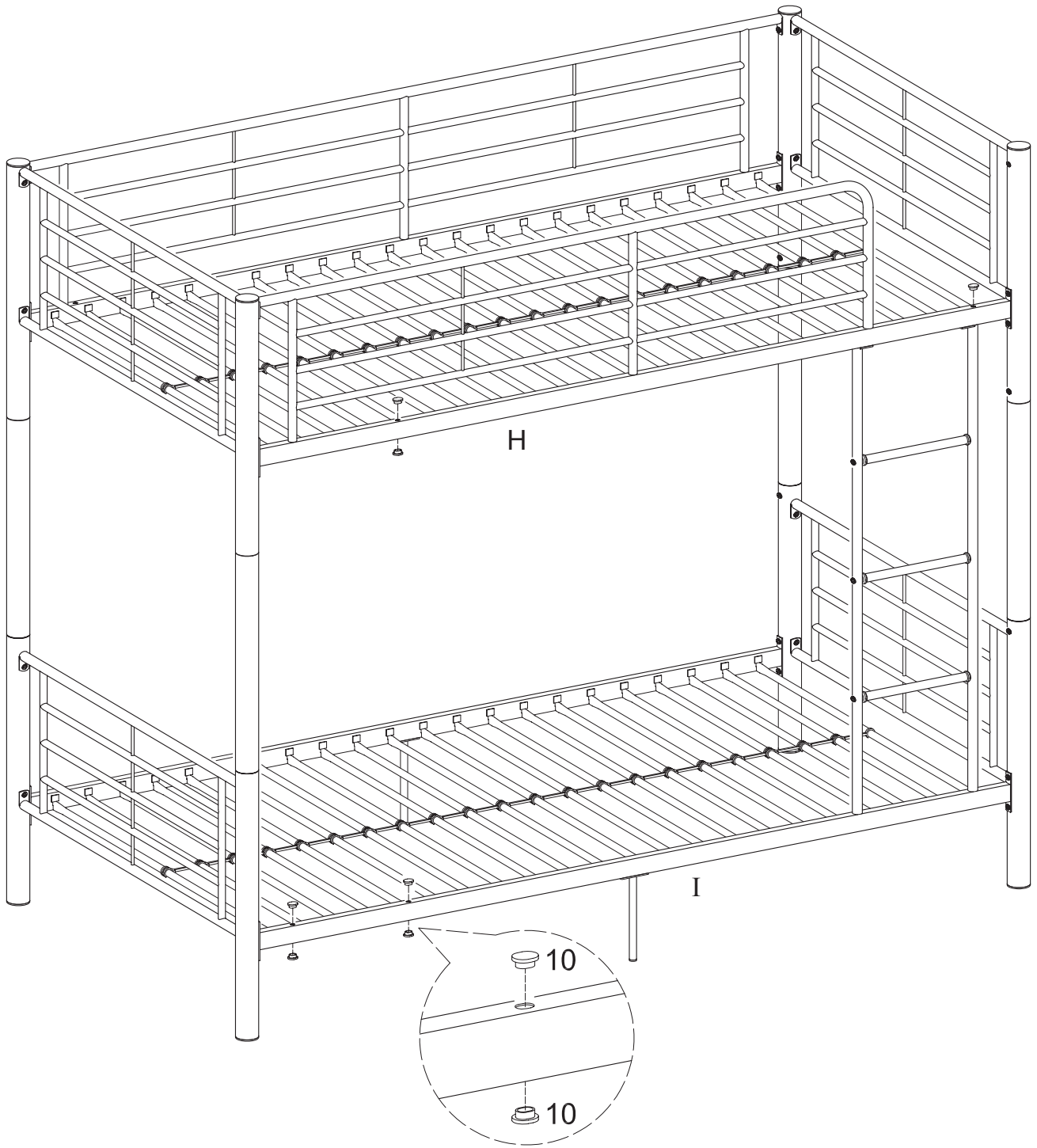
In this step you will attach guardrail (K) and the ladder to the bunk bed. Attach the top left corner of guardrail (K) to post section (A) using small bolt (1) with small washer (2). Attach the top right corner of the ladder to crossbar (H) using small bolt (1) with small washer (2). Secure guardrail (K) and the top left corner of the ladder to crossbar (H) using large bolts (4) with large washers (3). *Note that guardrail (K) and the ladder will share a single large bolt (4) where the two pieces meet at crossbar (H).* Secure the bottom of the ladder to crossbar (I) using large bolts (4) with large washers (3). Screw small bolt (1) into post section (D). Tighten all bolts with wrenches (11,12).

# Step 12B



Secure guardrail (J) to the bunk bed using small bolts (1) with small washers (2) at post sections (A,D), and large bolts (4) with large washers (3) at crossbar (F). Tighten all bolts with wrenches (11,12).

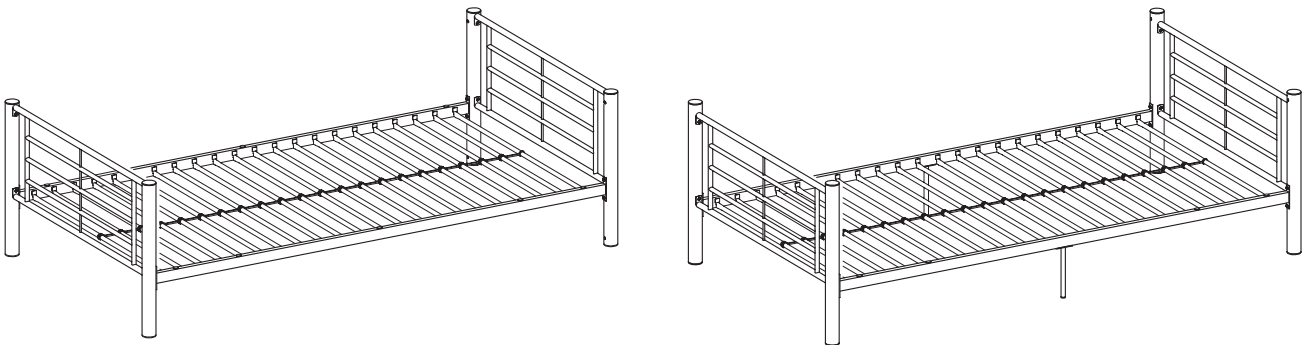
# Step 13B



Insert plastic plugs (10) into crossbars (H,I).

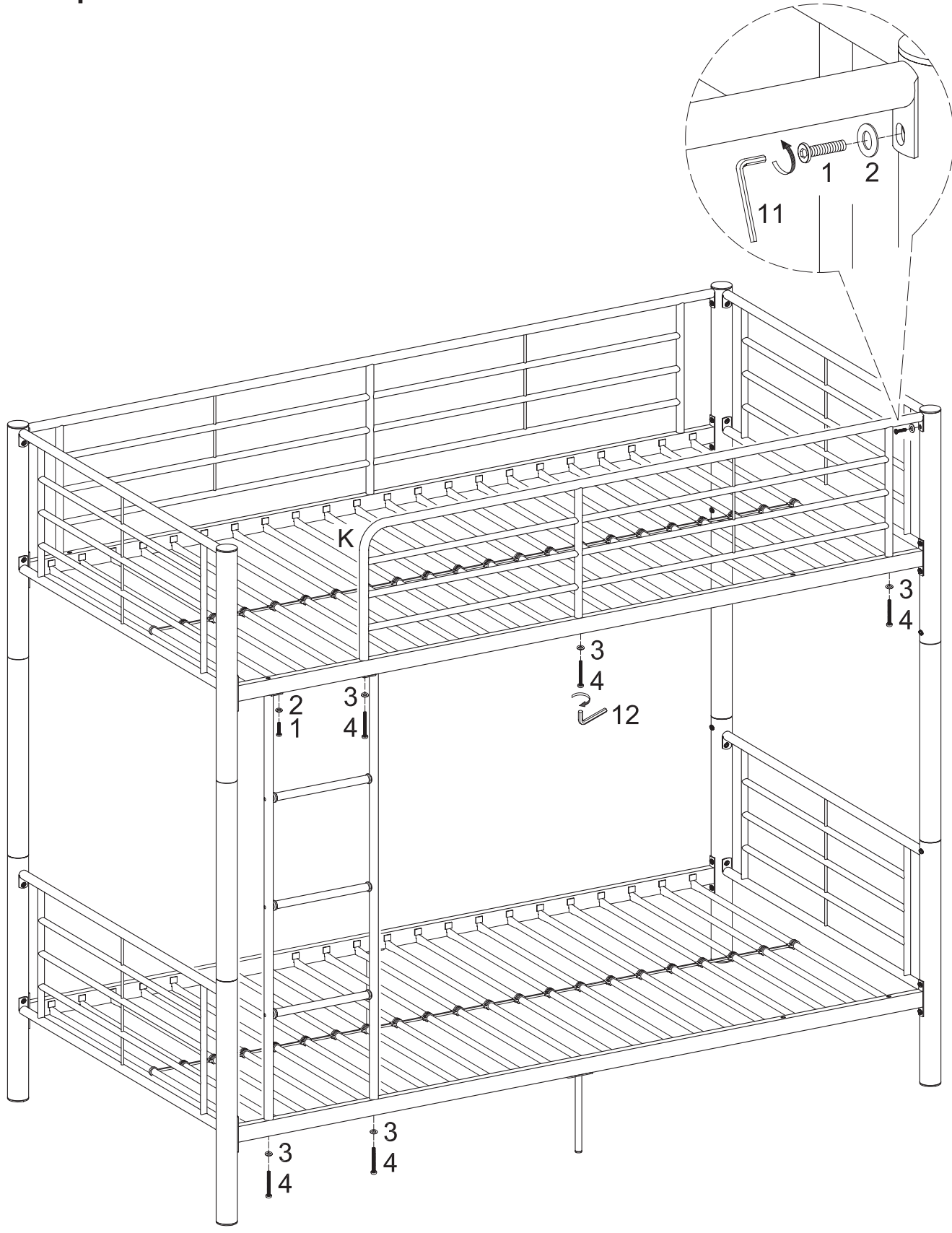
Option B Final Assembly

# Step 14



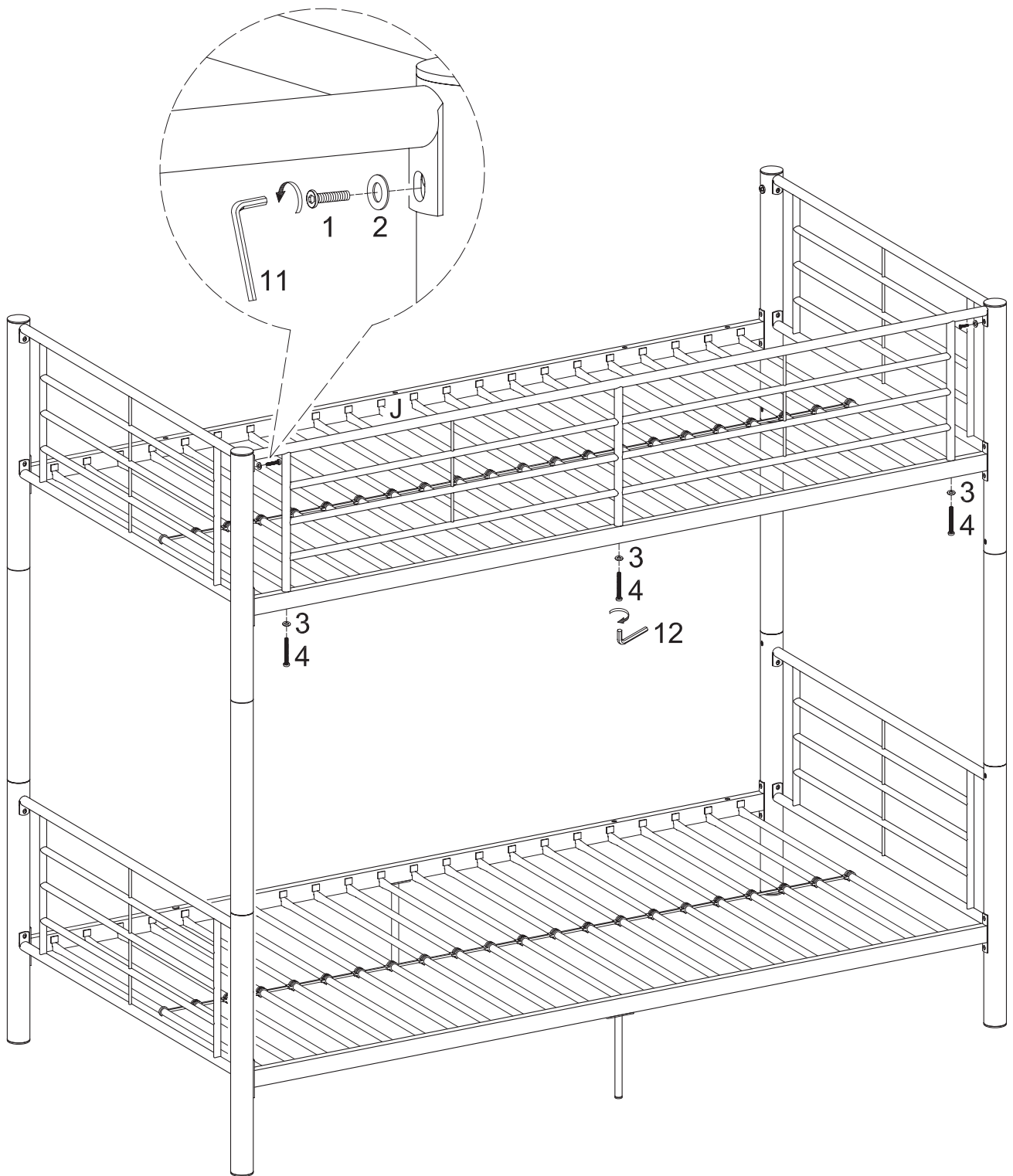
OPTION C

# Step 15



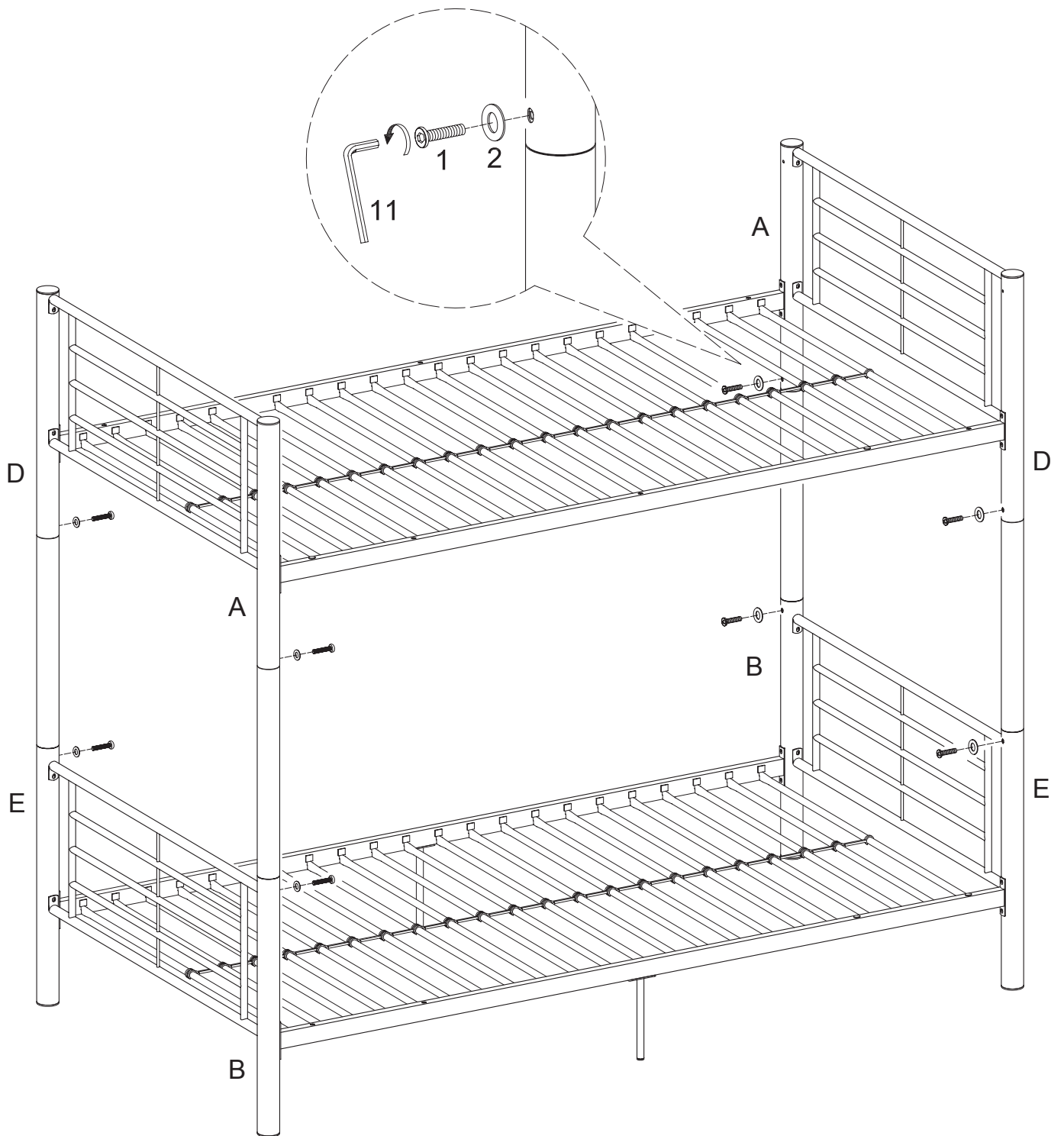
Detach guardrail (K) and the ladder from the bunk bed by loosening all connecting bolts as shown above.

# Step 16



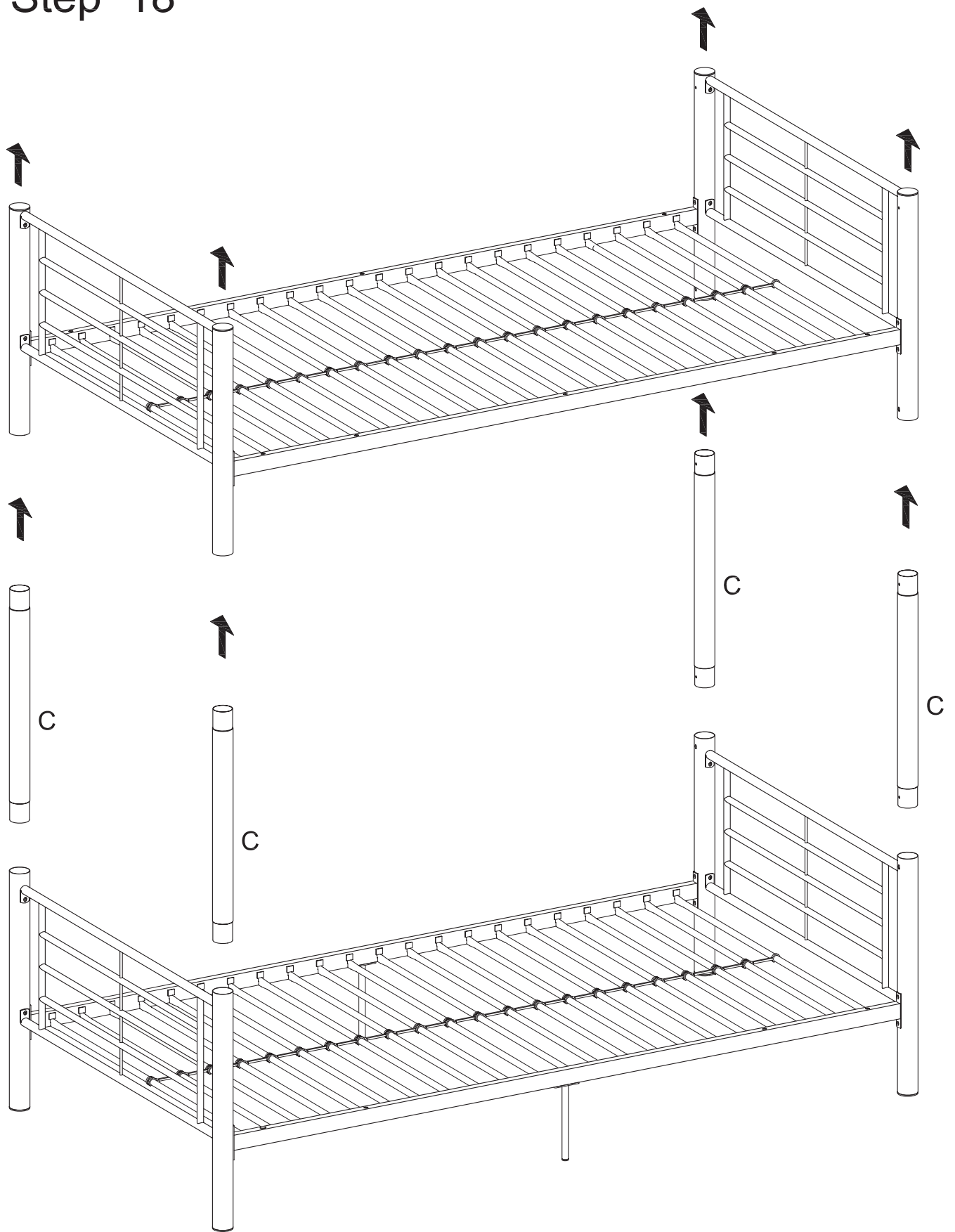
Detach guardrail (J) from the bunk bed by loosening all connecting bolts as shown above.

# Step 17



Loosen and remove the connecting bolts at post sections (A,B,D,E).

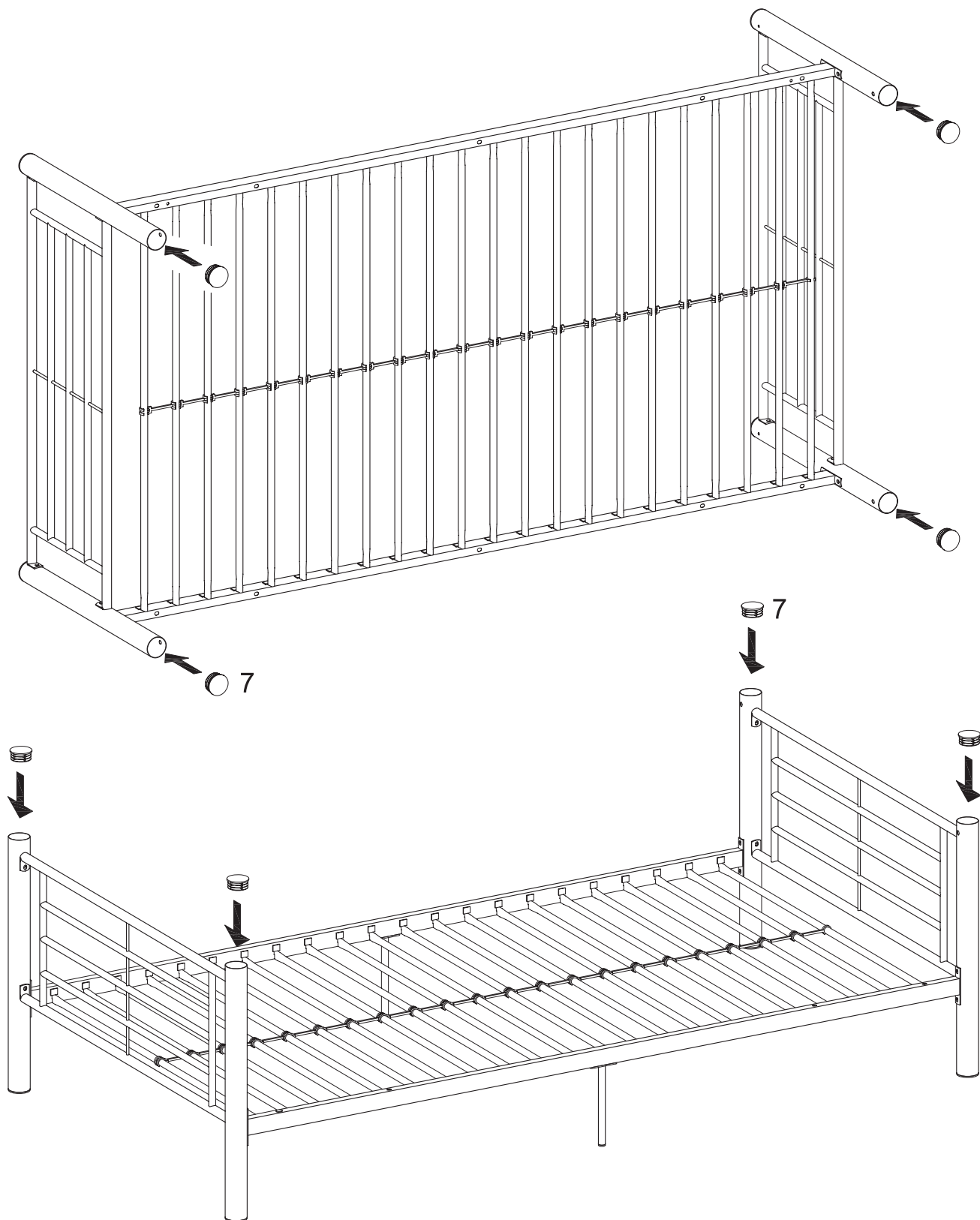
# Step 18



Carefully lift the upper bunk off the lower bunk. Remove post sections (C) from the bed assembly.

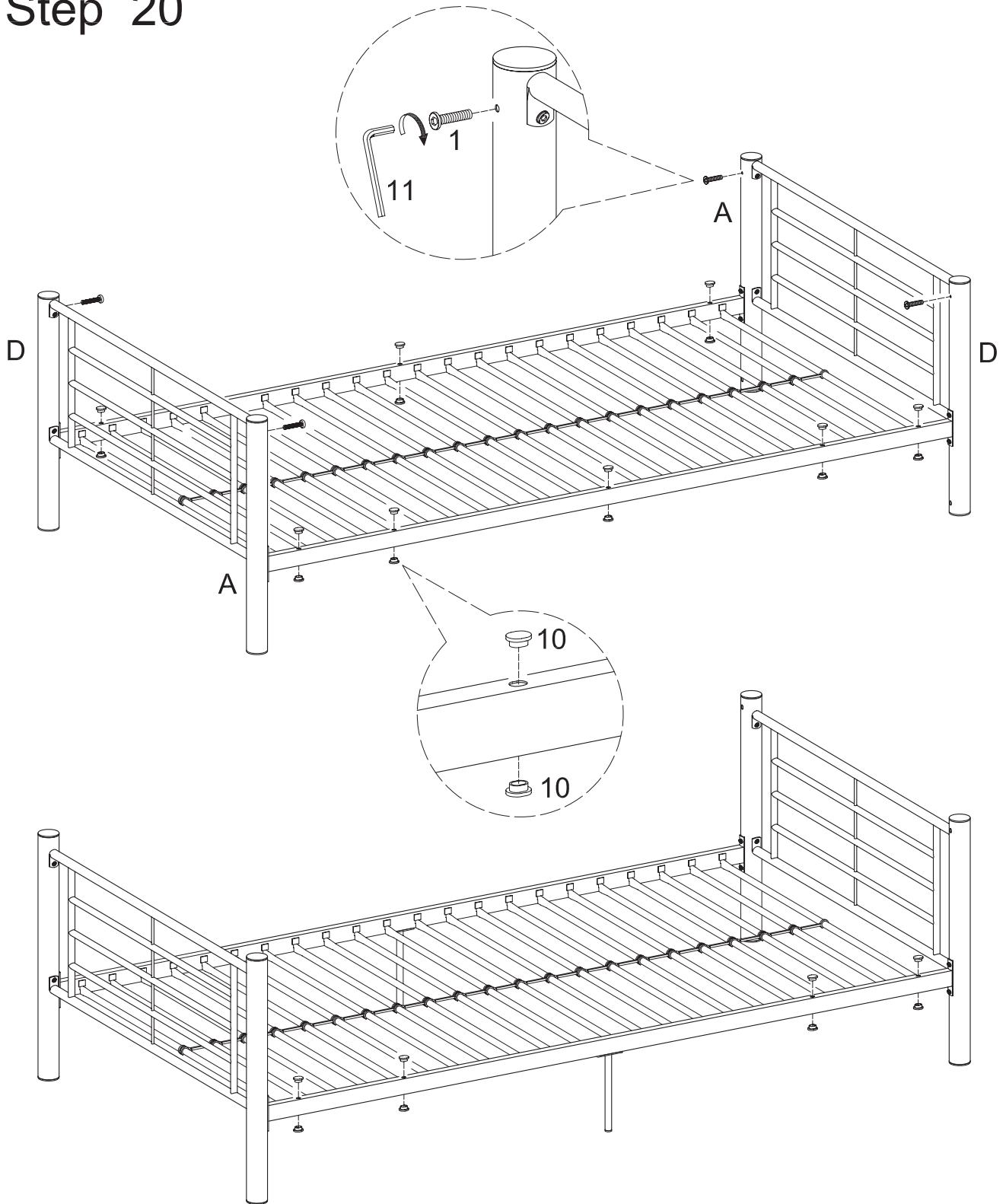


# Step 19



Insert plastic end caps (7) into the open ends of the bed posts.

# Step 20



Screw bolts (1) into posts (A,D). Insert plastic plugs (10) into both bed frames as shown above.

## Option C Final Assembly