

W Walker
Edison
furniture company

Item #: BTOD
Assembly Instructions



For our most current instructions, to request missing, lost or broken parts, or for any other Customer Service issues, please visit our website at www.walkeredison.com or call us at 877-207-5906.

Revised 11/2011



Instruction Manual

IMPORTANT INFORMATION READ BEFORE ASSEMBLING THIS PRODUCT

Follow the information on the warning labels found on the bunk bed and on the packaging. Do not remove the warning labels from the bed.

Use only a mattress with the dimensions 74-75 in.L x 37.5-38.5 in.W x 9 in.H on the upper bunk.

The surface of the mattress must be at least 5 in. (127mm) below the upper edge of the guardrails. Mattress must not exceed the maximum thickness of 9 in.

Always use the recommended size of mattress or mattress support, or both, to help prevent the likelihood of entrapment or falls.

The use of a water or sleep flotation mattress is prohibited.

Replacement parts, including additional guardrails, may be obtained from any of Walker Edison Furniture Company's dealers or by contacting us online at www.walker-edison.com.

DO NOT use substitute parts. Contact the manufacturer or dealer for replacement parts.

Always use guardrails on the upper bunk. If the bunk bed will be placed next to a wall, the guardrail running the full length of the bed should be placed against the wall to prevent entrapment between the bed and the wall.

Periodically check that the guardrails, ladders and other components of the bed are in their proper position, free from damage and that all connectors are tight.

Always use the ladder to access the upper bunk.

DO NOT allow children under 6 years of age to use the upper bunk.

DO NOT allow horseplay on or under the bed. Prohibit jumping on the bed.

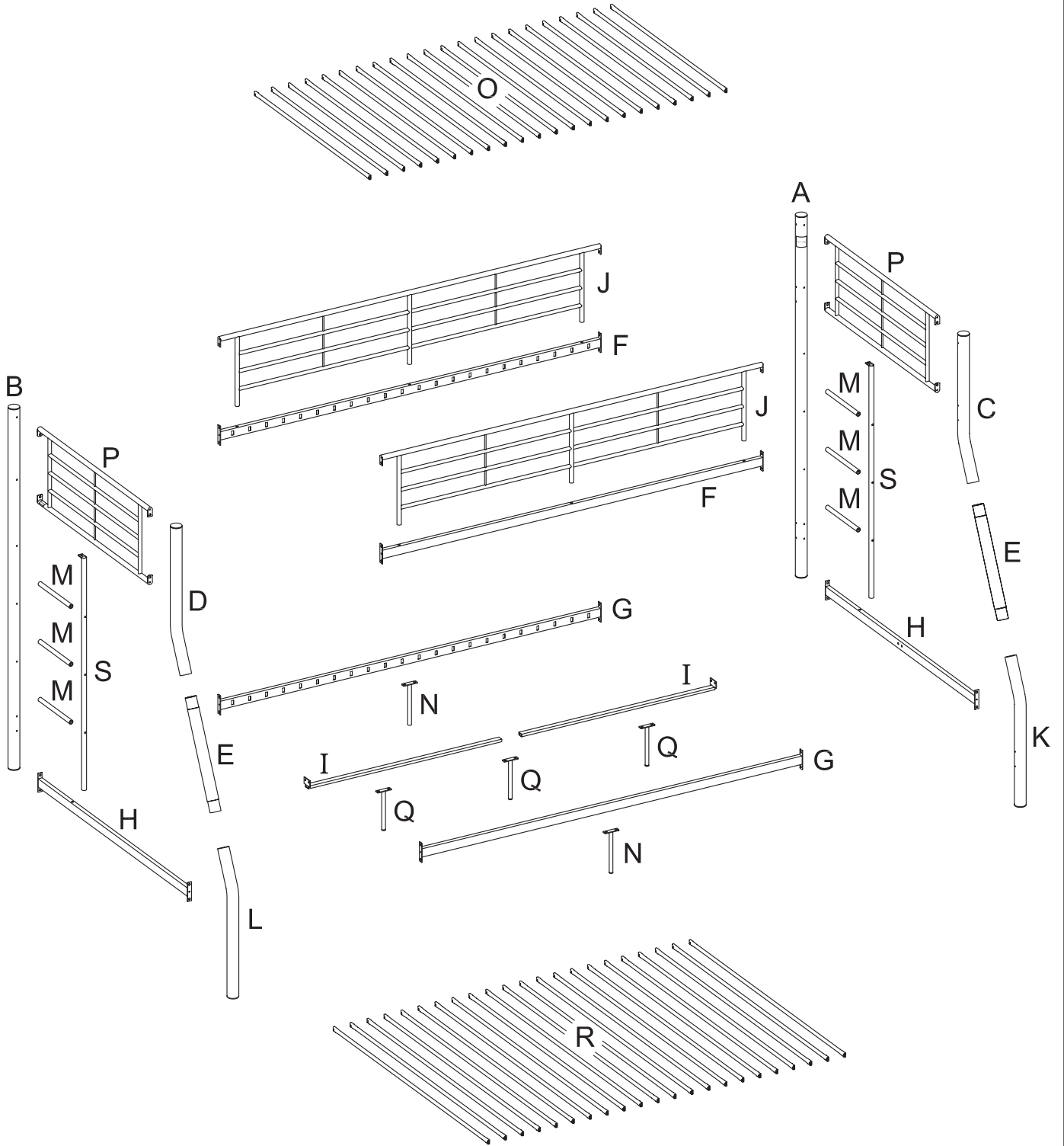
Prohibit more than one person on the upper bunk.

The use of a night light may provide an added safety precaution for a child using the upper bunk.



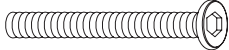
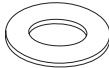




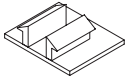
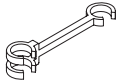


STRANGULATION HAZARD – Never attach or hang items to any part of the bunk bed that are not designed for use with the bed; including but not limited to hooks, belts and jump ropes.

Keep these instructions for future reference.

Parts List

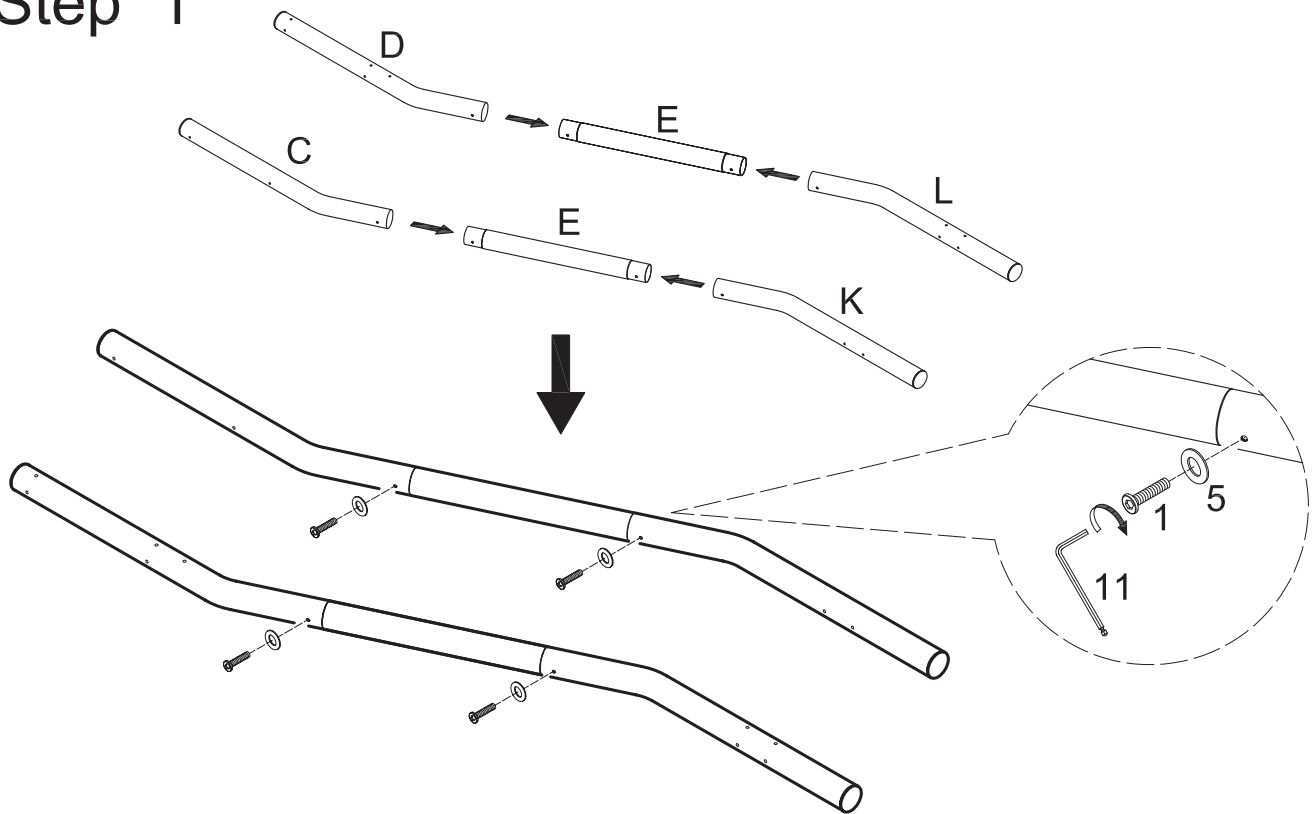


Hardware List

1		Ø1/4"x5/8"	Medium bolt	50 pcs
2		Ø1/4"x1/2"	Small bolt	6 pcs
3		Ø5/16"x2-1/4"	Large bolt	8 pcs
4		Ø18	Large washer	8 pcs
5		Ø16	Small washer	56 pcs
6		Ø1/4"x1"	Double-sided screw	6 pcs
7		Ø1/4"x1-1/4"	Bolt	6 pcs
8			Washer	12 pcs
9			Plastic tab lock	88 pcs
10			Plastic link	42 pcs
11		M4.0mm	Small wrench	1 pc
12		M5.0mm	Large wrench	1 pc

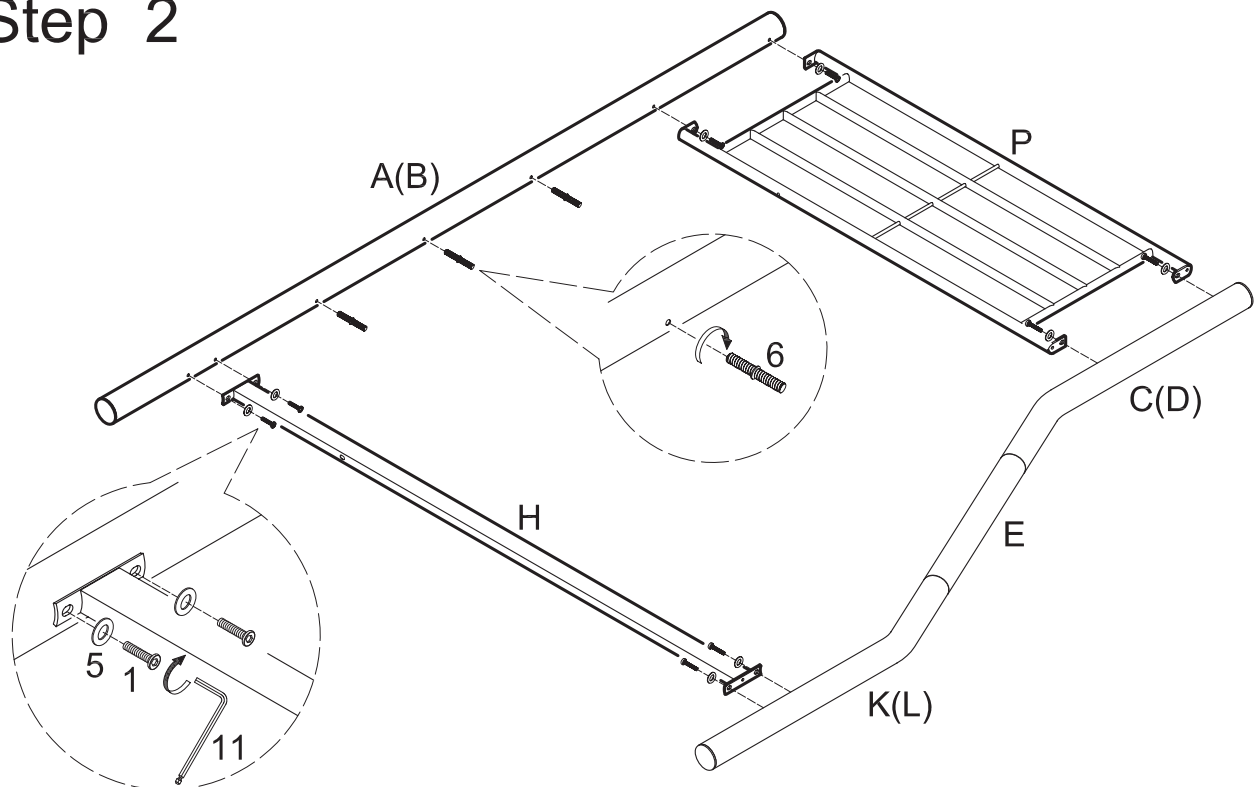
*The hardware quantities listed above are required for proper assembly.
Some extra hardware may also have been included.*

Step 1



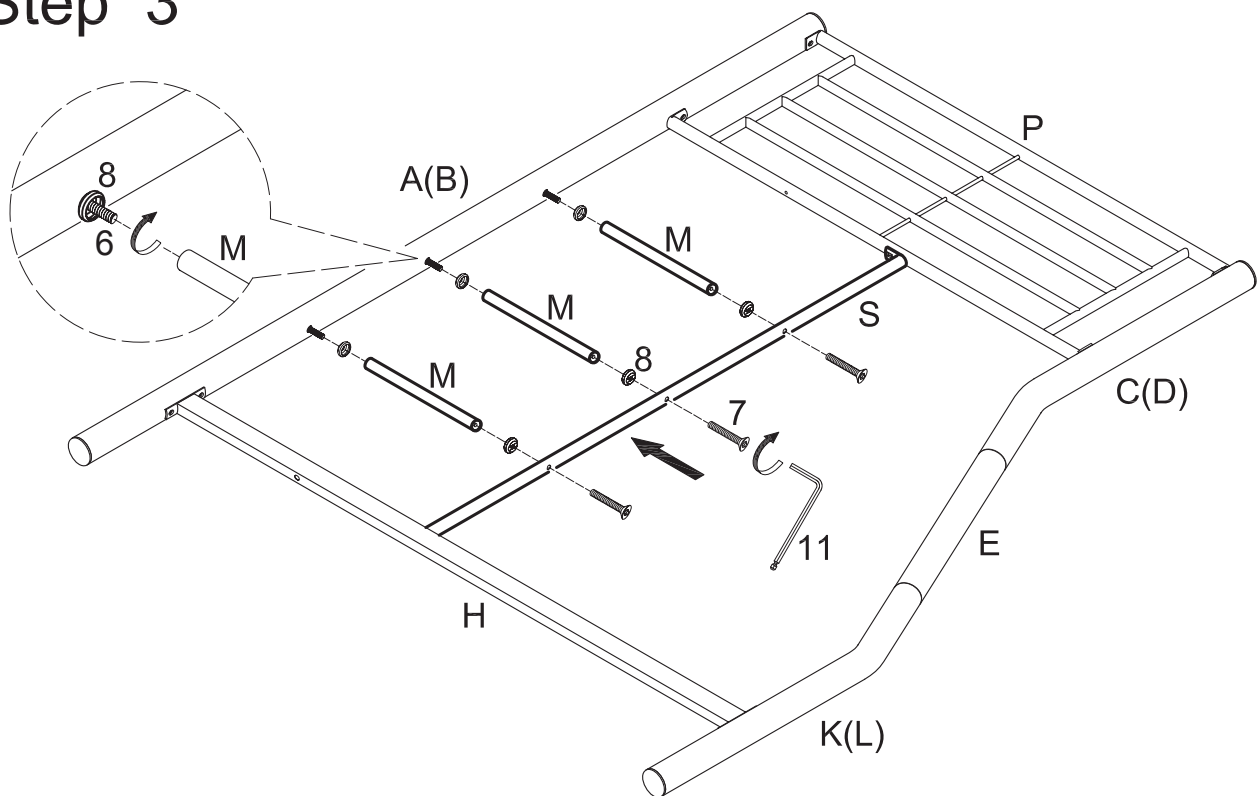
Slide curved post sections (C,K) and curved post sections (D,L) onto post sections (E). Secure the post sections together using medium bolts (1) with small washers (5). Tighten medium bolts (1) with small wrench (11).

Step 2



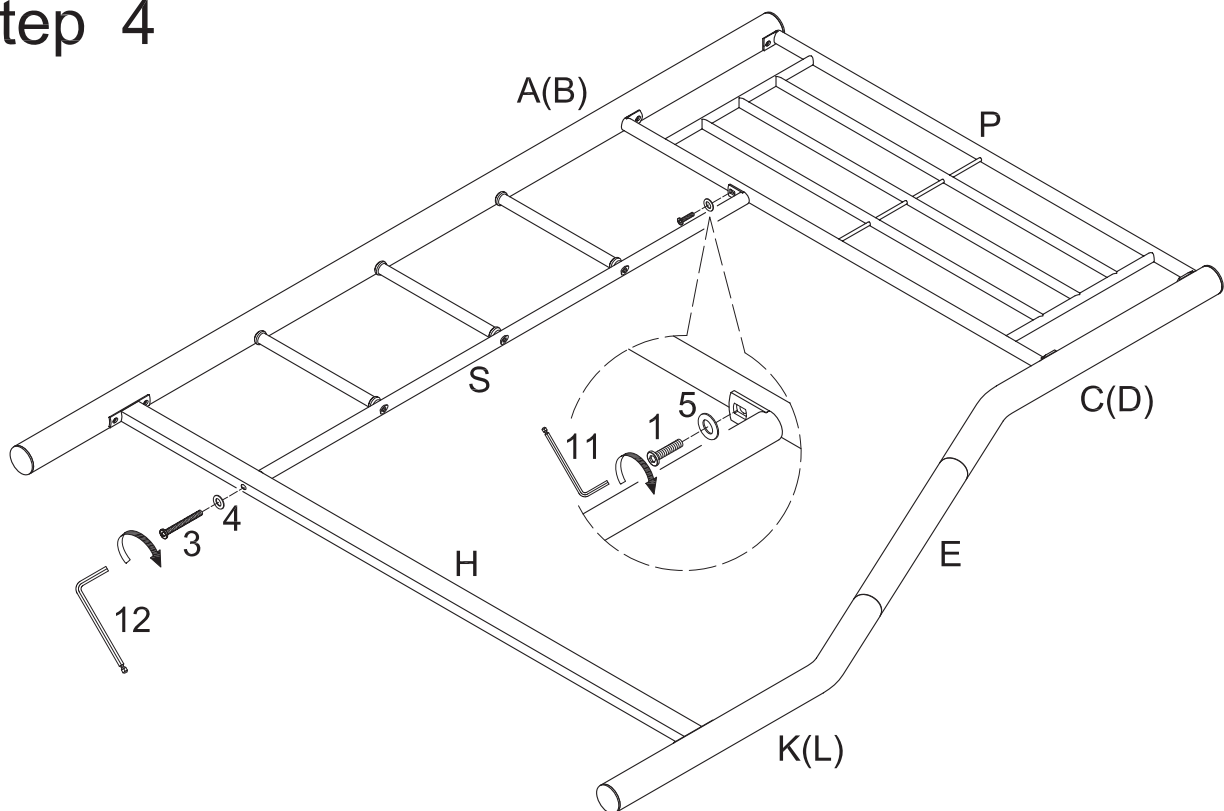
Screw double-sided screws (6) into post (A). Attach guardrail (P) to post (A) and curved post section (C) using medium bolts (1) with small washers (5). Attach crossbar (H) to post (A) and curved post section (K) using medium bolts (1) with small washers (5). Tighten medium bolts (1) with small wrench (11). Repeat this step with post (B) and curved post sections (D,L) on the opposite side of the bunk bed.

Step 3



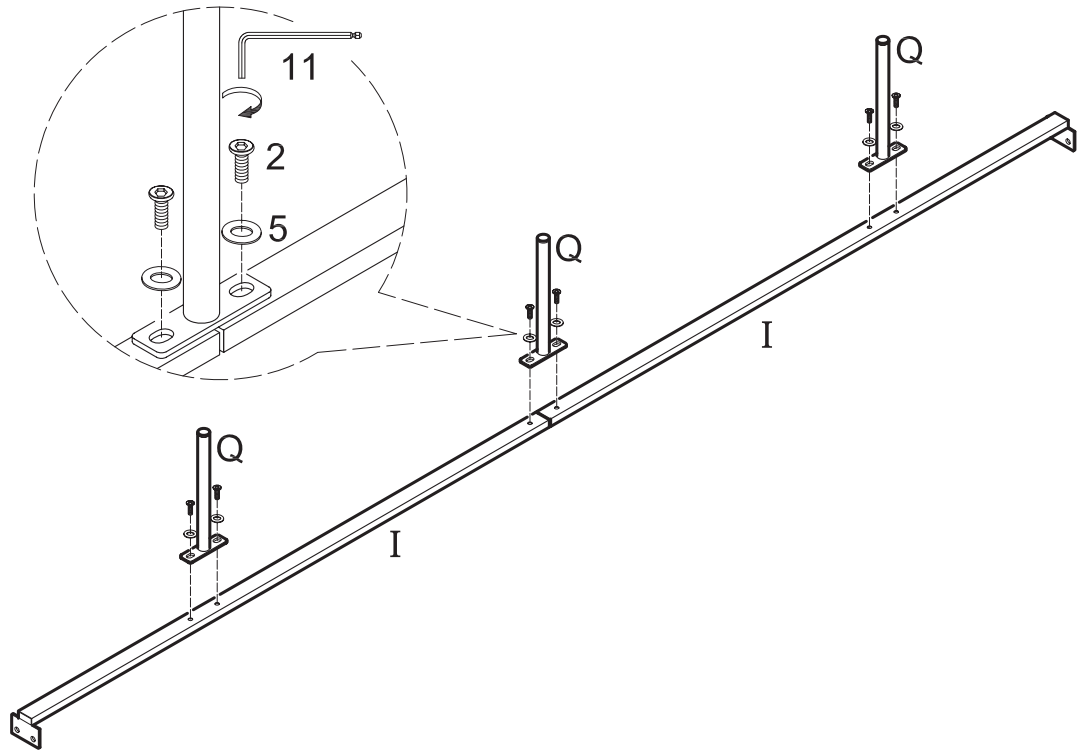
Slide washers (8) onto double-sided screws (6). Screw ladder rungs (M) onto double-sided screws (6). Attach ladder rail (S) to ladder rungs (M) using bolts (7) with washers (8). Tighten bolts (7) with small wrench (11). Repeat this step on the opposite side of the bunk bed.

Step 4



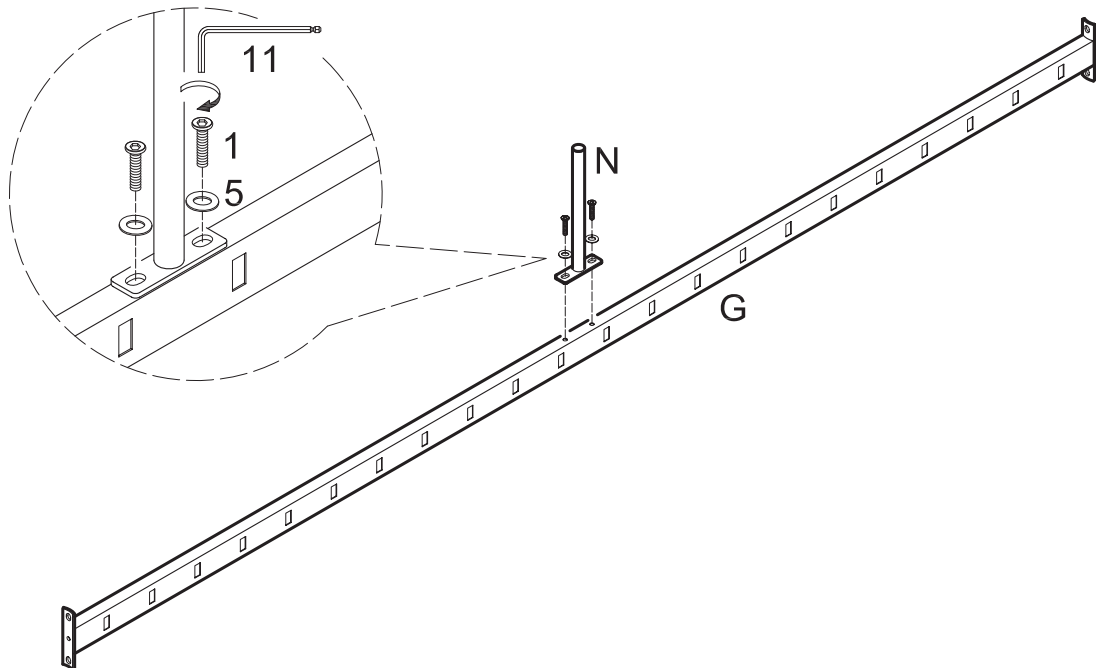
Secure ladder rail (S) to guardrail (P) using medium bolt (1) with small washer (5). Secure ladder rail (S) to crossbar (H) using large bolt (3) with large washer (4). Tighten bolts with wrenches (11,12). Repeat this step on the opposite side of the bunk bed.

Step 5



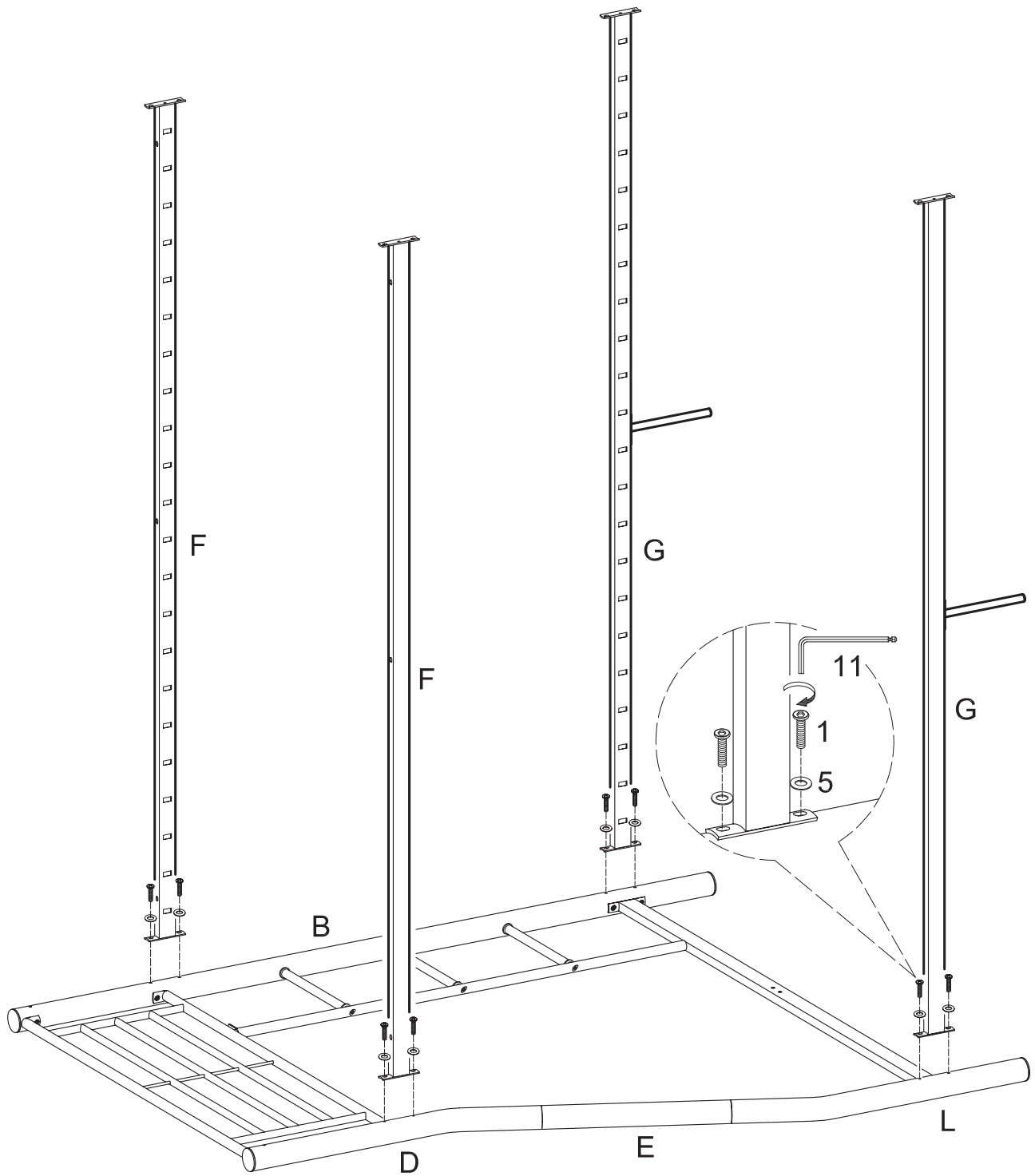
Attach support legs (Q) to support bars (I) using small bolts (2) with small washers (5). Tighten small bolts (2) with small wrench (11).

Step 6



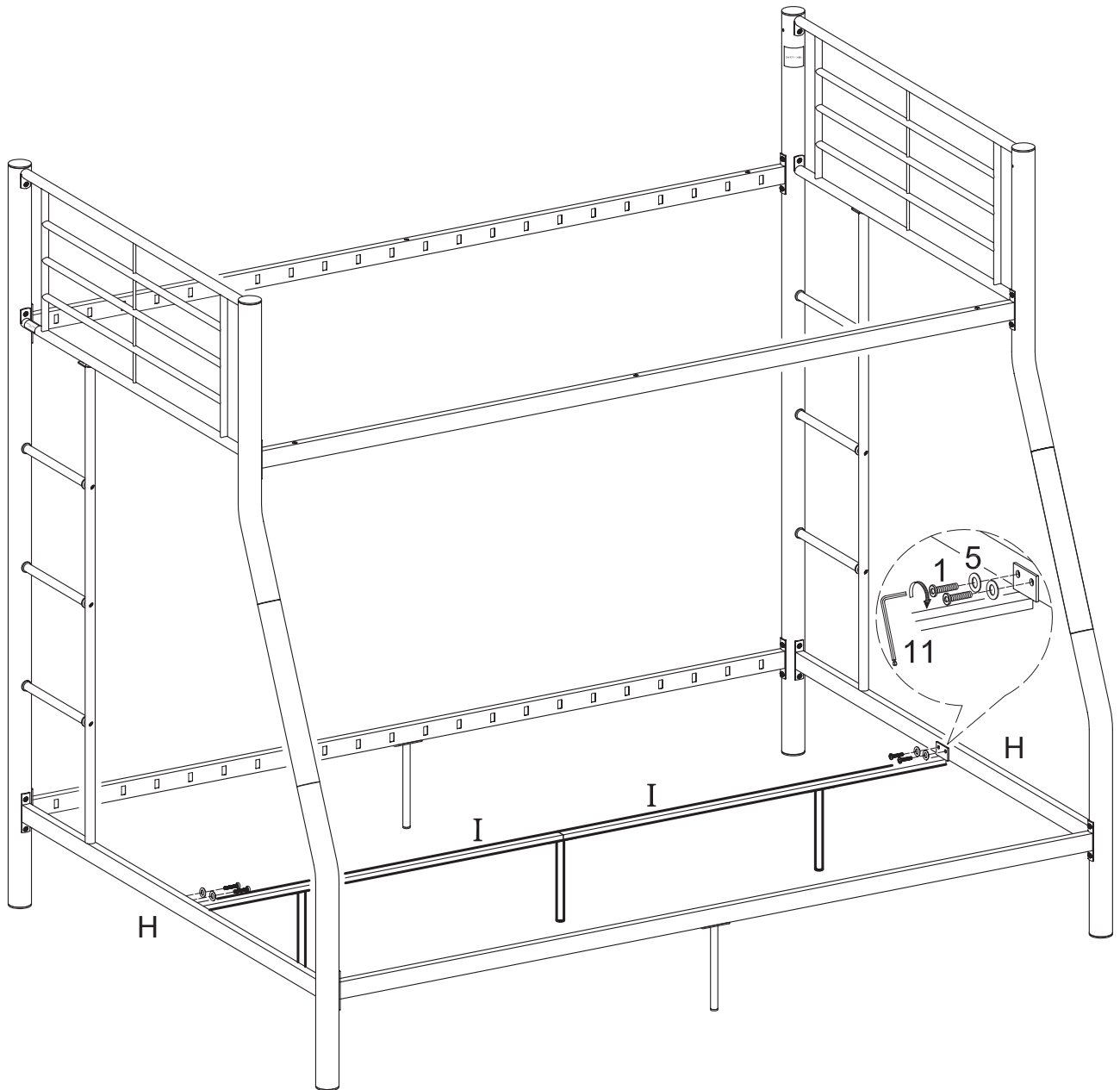
Attach support leg (N) to crossbar (G) using medium bolts (1) with small washers (5). Tighten medium bolts (1) with small wrench (11). Repeat this step for second crossbar (G).

Step 7



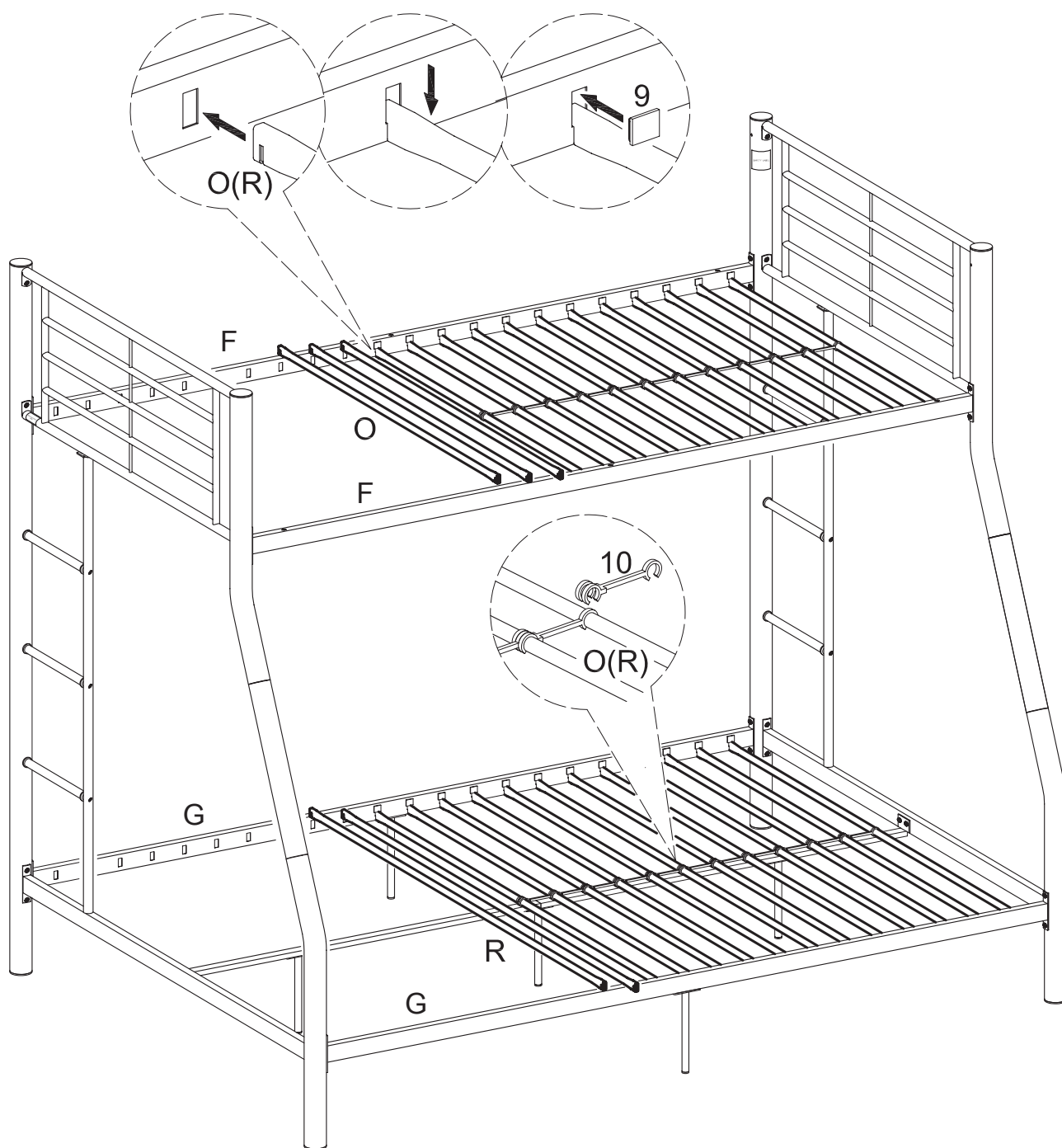
Attach crossbars (F,G) to post (B) and to curved post sections (D,L) using medium bolts (1) with small washers (5). Tighten medium bolts (1) with small wrench (11).

Step 9



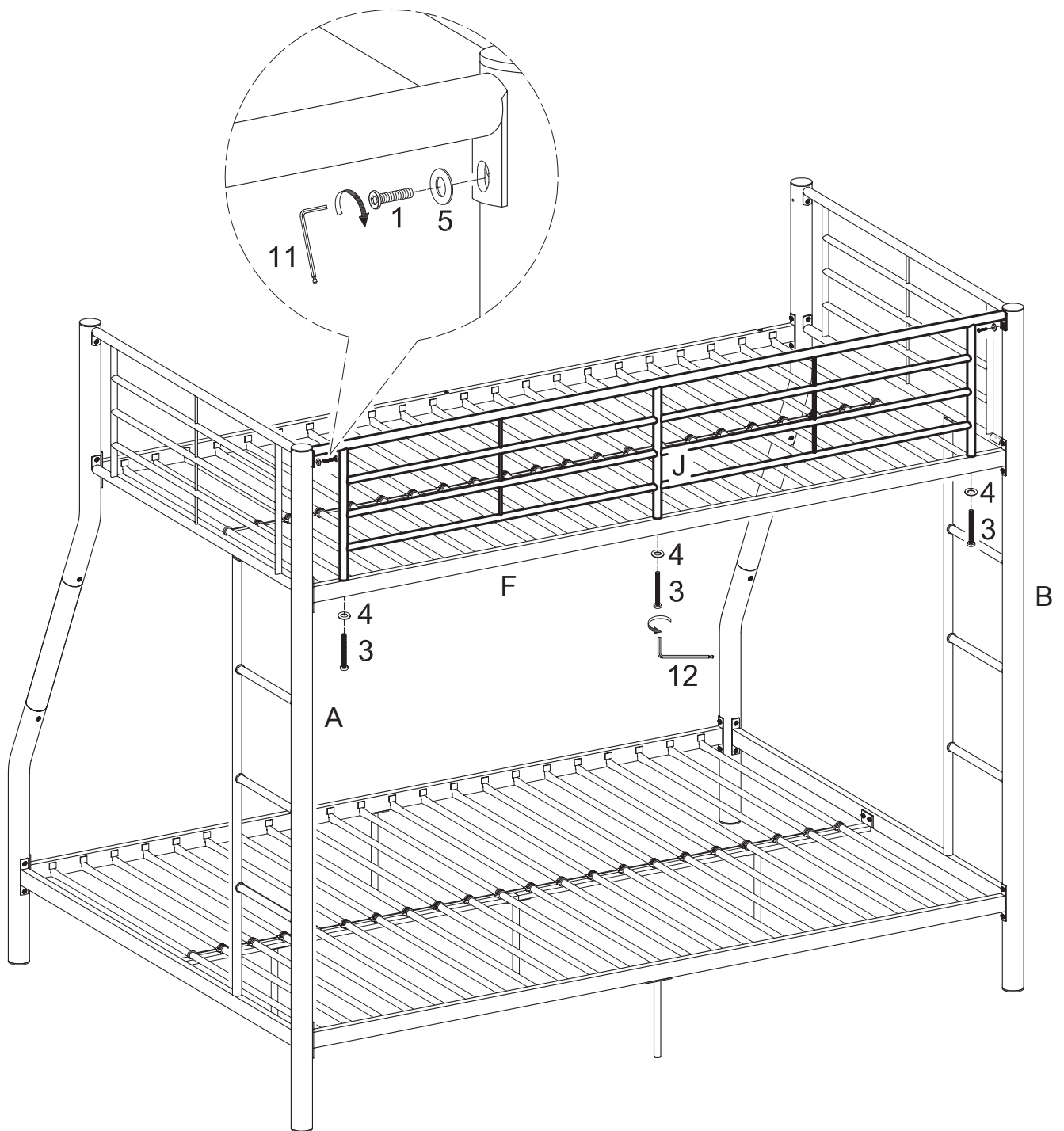
Attach support bars (I) to crossbars (H) using medium bolts (1) with small washers (5). Tighten medium bolts (1) with small wrench (11).

Step 10



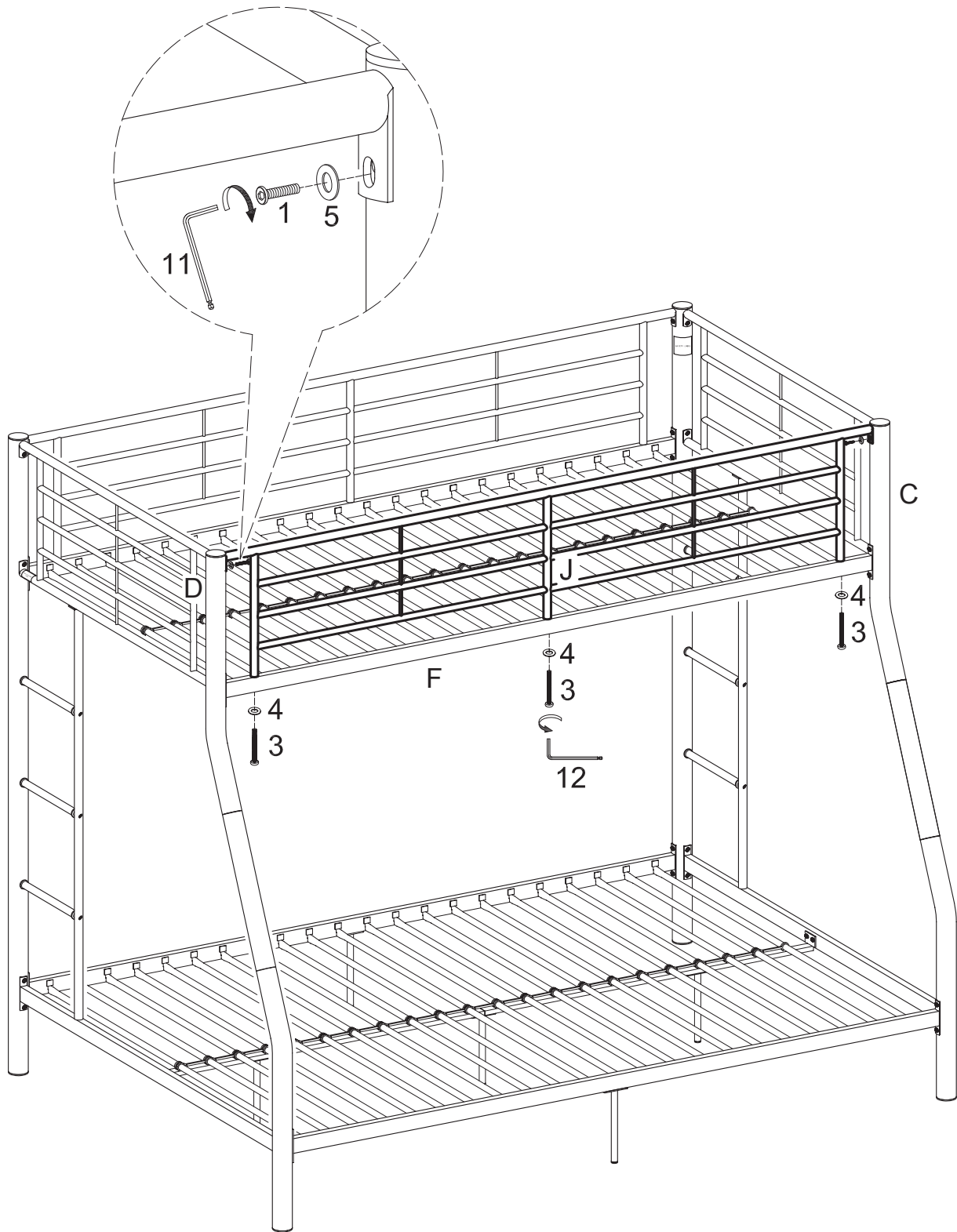
Insert mattress support bars (O) into the slots of crossbars (F). Insert mattress support bars (R) into the slots of crossbars (G). Secure mattress support bars (O,R) by snapping plastic tab locks (9) into the slots of crossbars (F,G). *It may be necessary to apply more pressure to some plastic tab locks than others.* Snap plastic links (10) onto mattress support bars (O,R).

Step 11



Attach guardrail (J) to the back of the bunk bed using medium bolts (1) with small washers (5) at posts (A,B), and large bolts (3) with large washers (4) at crossbar (F). Tighten all bolts with wrenches (11,12).

Step 12



Attach guardrail (J) to the front of the bunk bed using medium bolts (1) with small washers (5) at curved post sections (C,D), and large bolts (3) with large washers (4) at crossbar (F). Tighten all bolts with wrenches (11,12).

Final Assembly