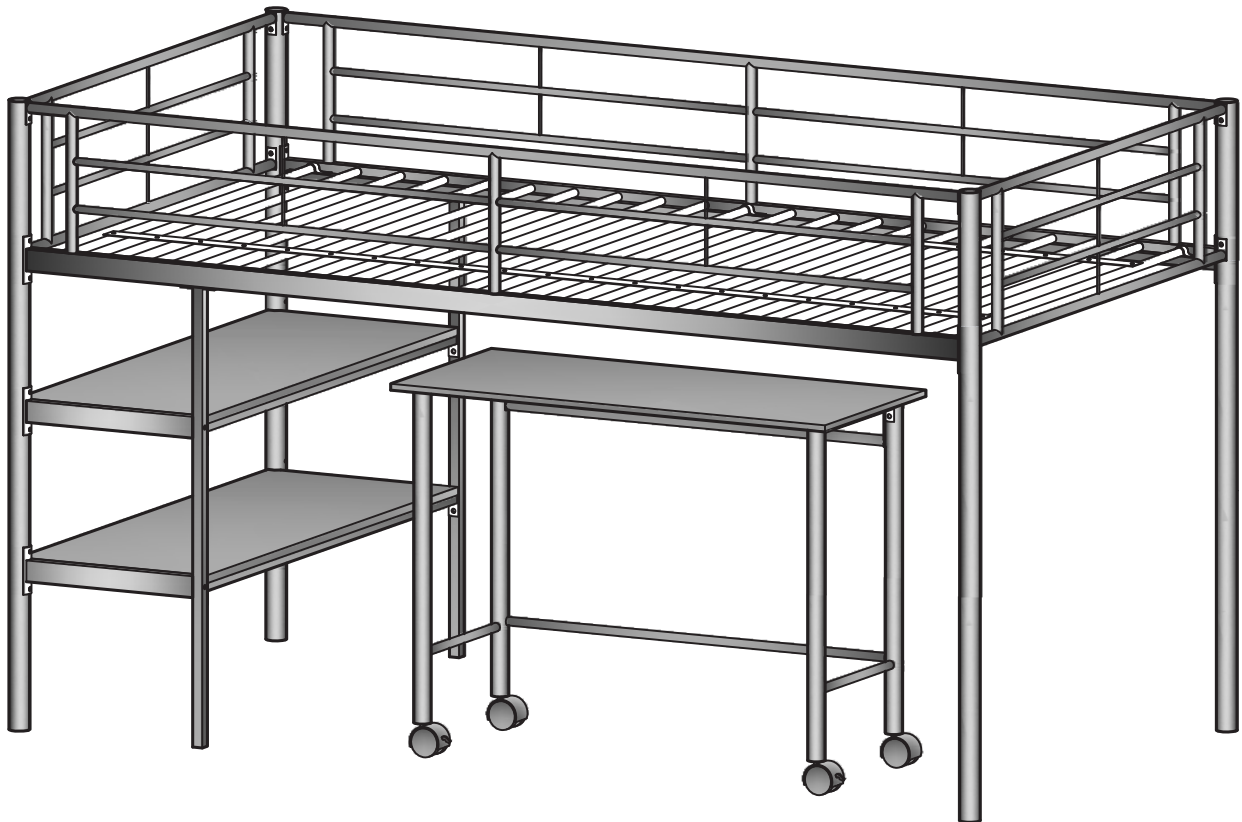




Walker
Edison

furniture company

Item #: BTLD46SP
Assembly Instructions



For our most current instructions, to request missing, lost or broken parts, or for any other Customer Service issues, please visit our website at www.walkeredison.com or call us at 877-207-5906.

Revised 06/2012



Instruction Manual

IMPORTANT INFORMATION READ BEFORE ASSEMBLING THIS PRODUCT

Follow the information on the warning labels found on the bunk bed and on the packaging. Do not remove the warning labels from the bed.

Use only a mattress with the dimensions 74-75 in.L x 37.5-38.5 in.W x 6 in.H on the upper bunk.

The surface of the mattress must be at least 5 in. (127mm) below the upper edge of the guardrails. Mattress must not exceed the maximum thickness of 6 in.

Always use the recommended size of mattress or mattress support, or both, to help prevent the likelihood of entrapment or falls.

The use of a water or sleep flotation mattress is prohibited.

Replacement parts, including additional guardrails, may be obtained from any of Walker Edison Furniture Company's dealers or by contacting us online at www.walkerredison.com.

DO NOT use substitute parts. Contact the manufacturer or dealer for replacement parts.

Always use guardrails on the upper bunk. If the bunk bed will be placed next to a wall, the guardrail running the full length of the bed should be placed against the wall to prevent entrapment between the bed and the wall.

Periodically check that the guardrails, ladders and other components of the bed are in their proper position, free from damage and that all connectors are tight.

Always use the ladder to access the upper bunk.

DO NOT allow children under 6 years of age to use the upper bunk.

DO NOT allow horseplay on or under the bed. Prohibit jumping on the bed.

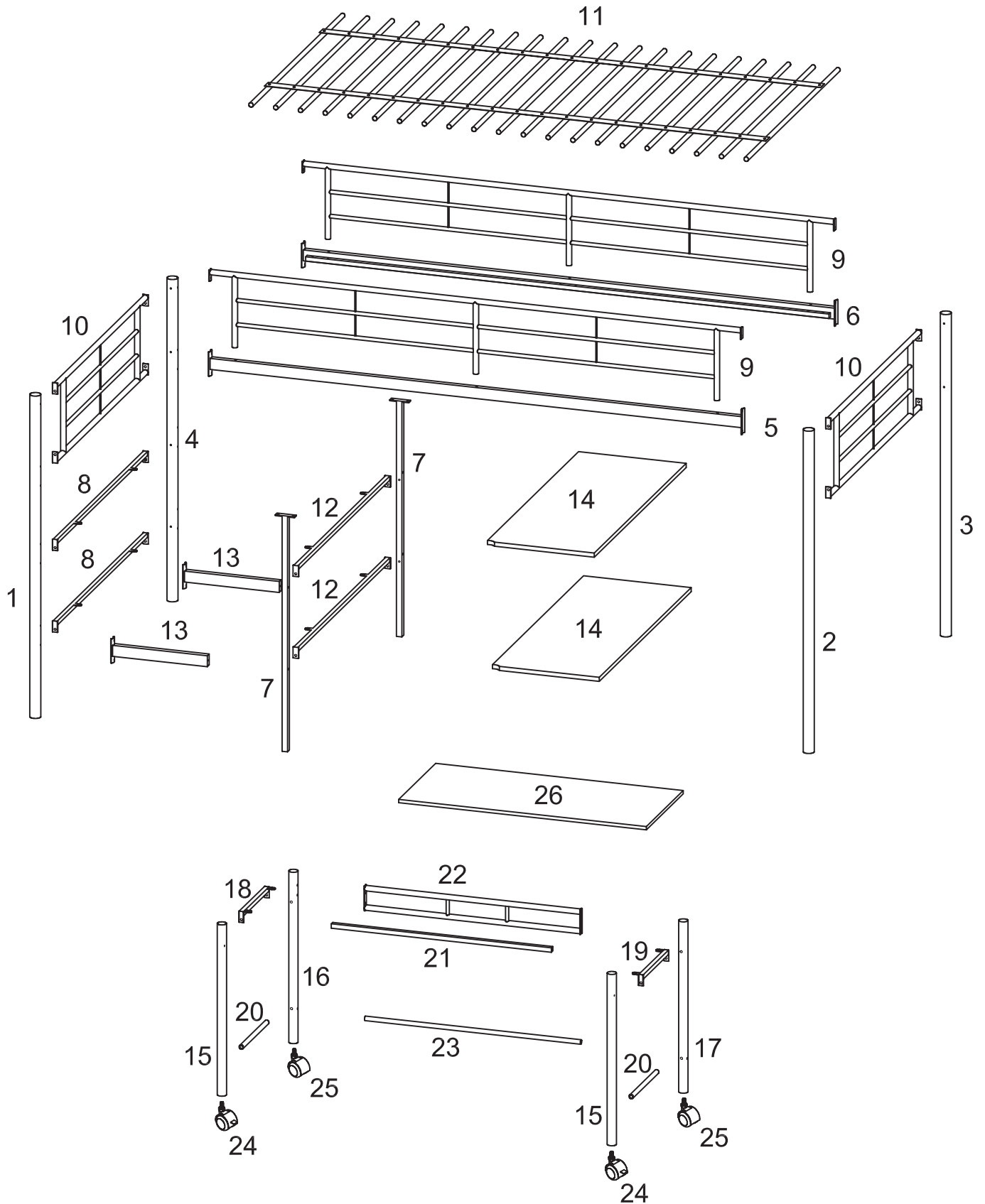
Prohibit more than one person on the upper bunk.

The use of a night light may provide an added safety precaution for a child using the upper bunk.

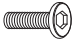







STRANGULATION HAZARD – Never attach or hang items to any part of the bunk bed that are not designed for use with the bed; including but not limited to hooks, belts and jump ropes.

Keep these instructions for future reference.

Parts List



Hardware List

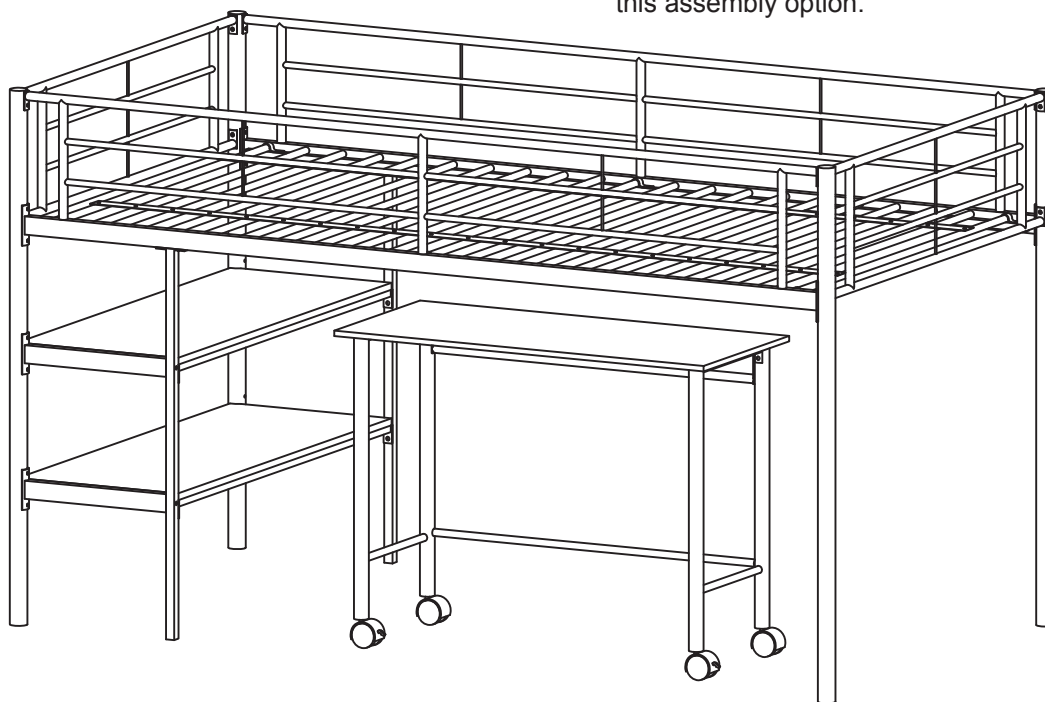
A		M6x15mm	Bolt	56 pcs
B		M6x35mm	Bolt	10 pcs
C		M6x55mm	Bolt	4 pcs
D		M6x12mm	Bolt	12 pcs
E		M6x30mm	Double-ended bolt	2 pcs
F			Anchor	6 pcs
G		M4	Wrench	1 pc
H		M8	Wrench	1 pc

*The hardware quantities listed above are required for proper assembly.
Some extra hardware may also have been included.*

Assembly Options

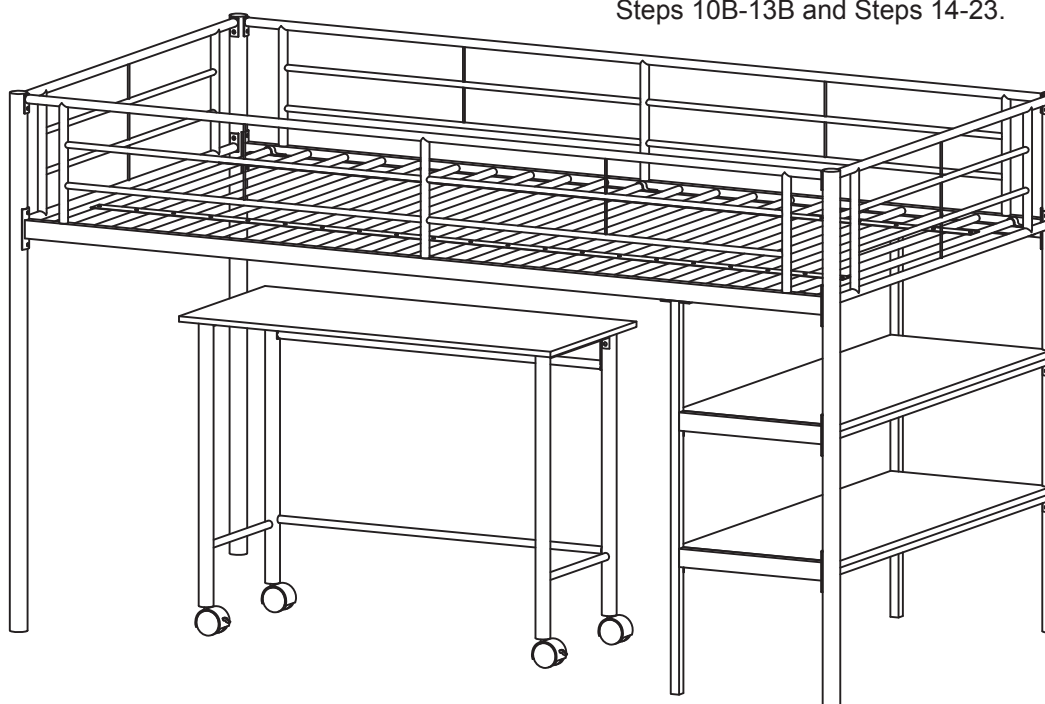
Option A - Ladder Left

To build this option follow Steps 1-8, Steps 10A-13A and Steps 14-23. Skip Step 9 for this assembly option.

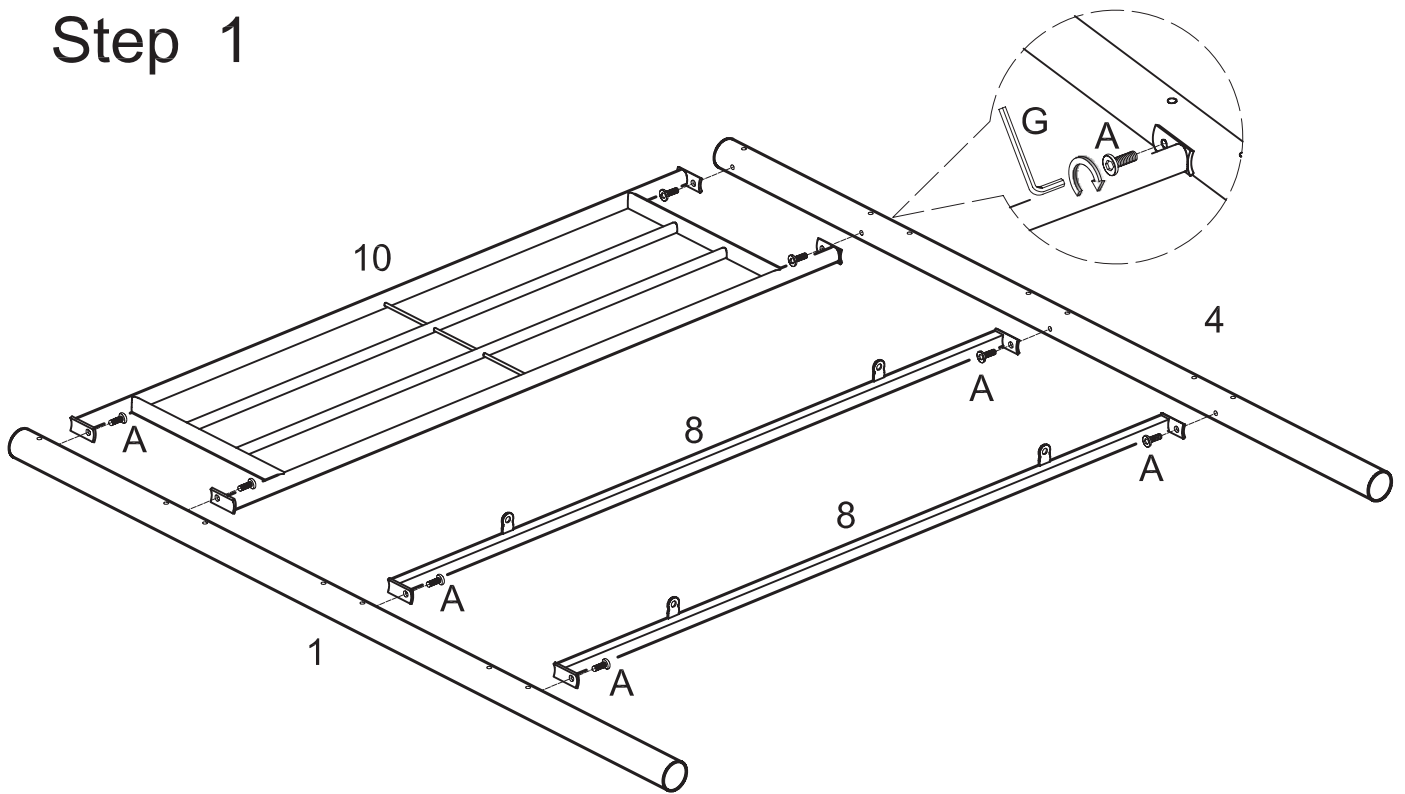


Option B - Ladder Right

To build this option follow Steps 1-8, Step 9, Steps 10B-13B and Steps 14-23.

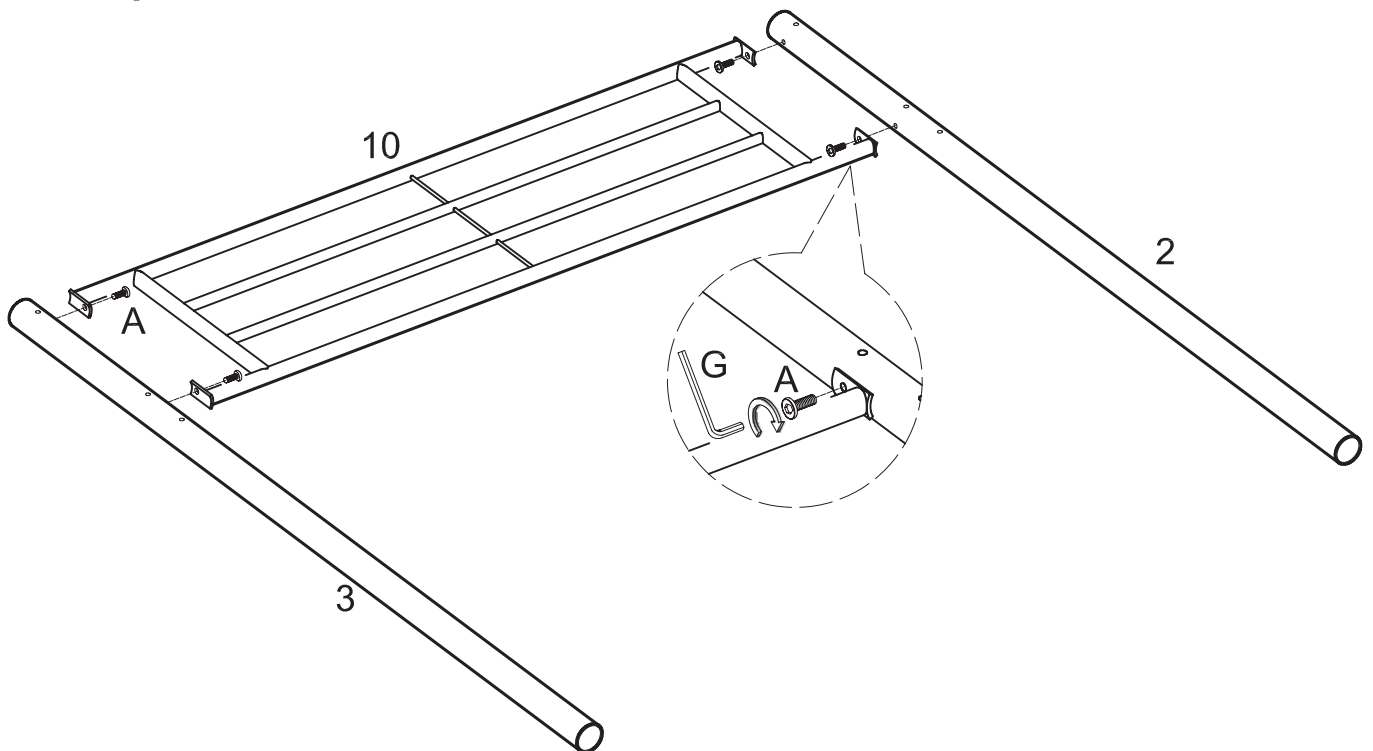


Step 1



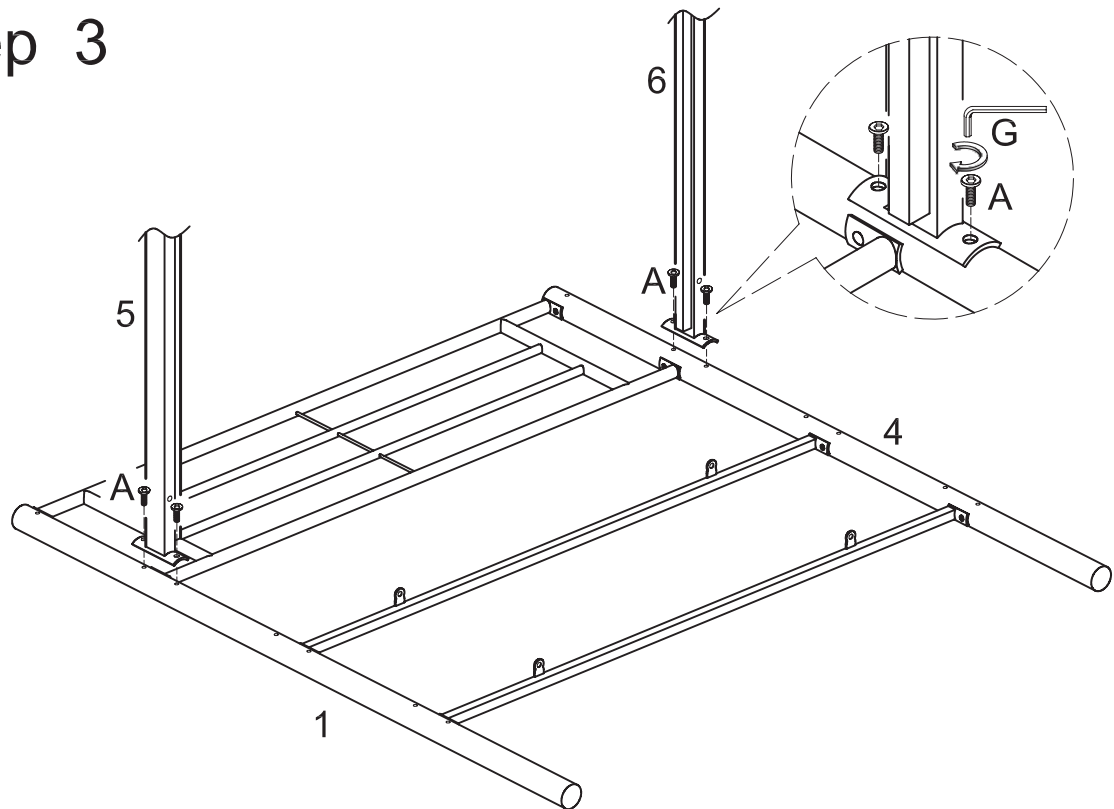
Attach guardrail (10) and shelf supports (8) to posts (1,4) using bolts (A). Tighten bolts (A) with wrench (G). Please note the position of all pre-drilled holes as shown above before attaching bed parts together.

Step 2



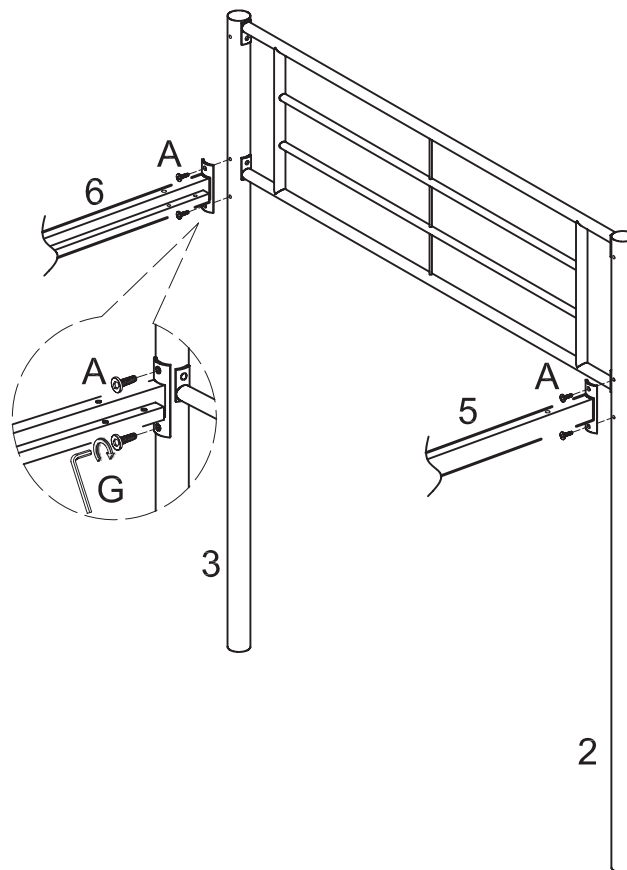
Attach second guardrail (10) posts (2,3) using bolts (A). Tighten bolts (A) with wrench (G). Please note the position of all pre-drilled holes as shown above before attaching bed parts together.

Step 3



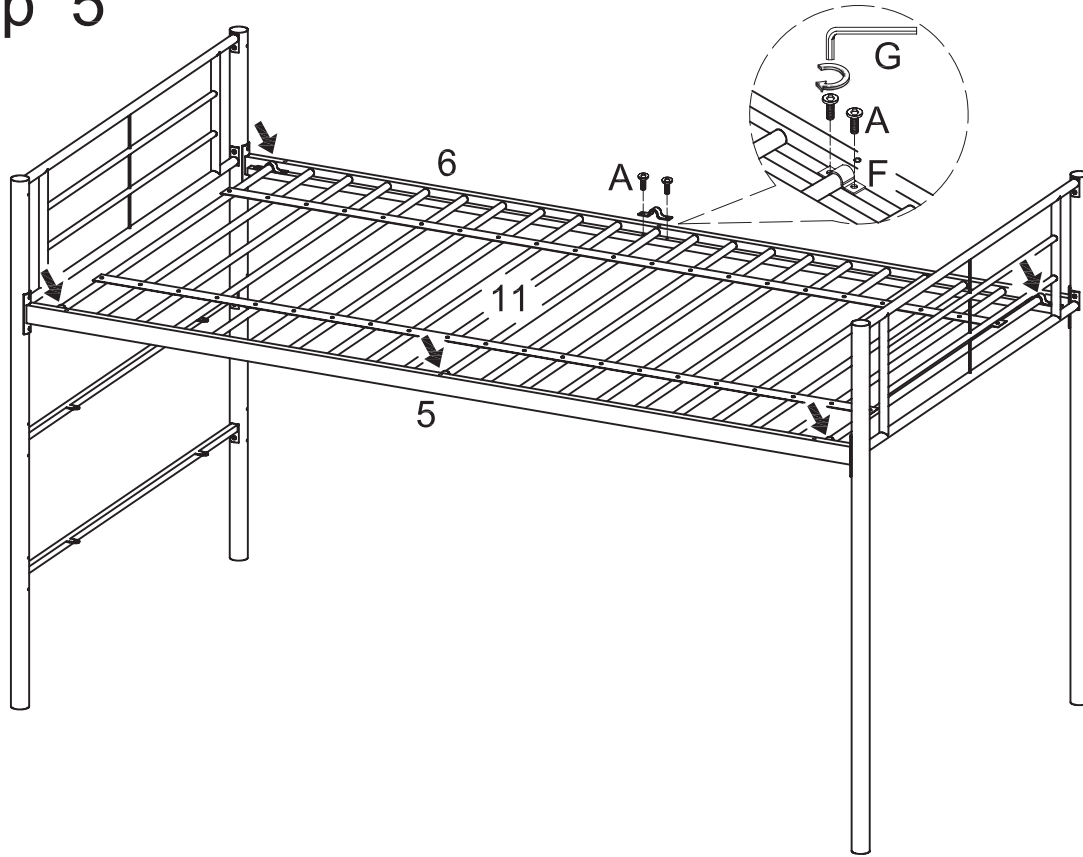
Attach crossbar (5) to post (1) and crossbar (6) to post (4) using bolts (A). Tighten bolts (A) with wrench (G).
Please note the position of all pre-drilled holes as shown above before attaching bed parts together.

Step 4



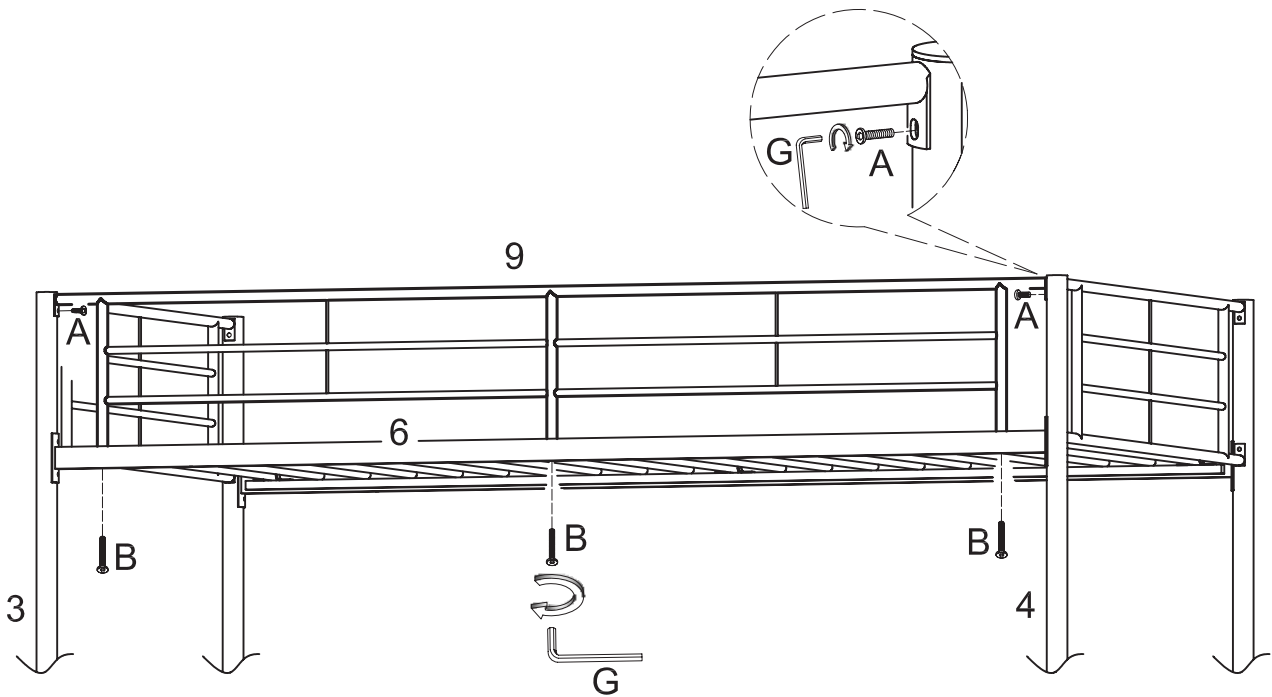
Attach opposite end of crossbar (5) to post (2) and opposite end of crossbar (6) to post (3) using bolts (A).
Tighten bolts (A) with wrench (G).

Step 5



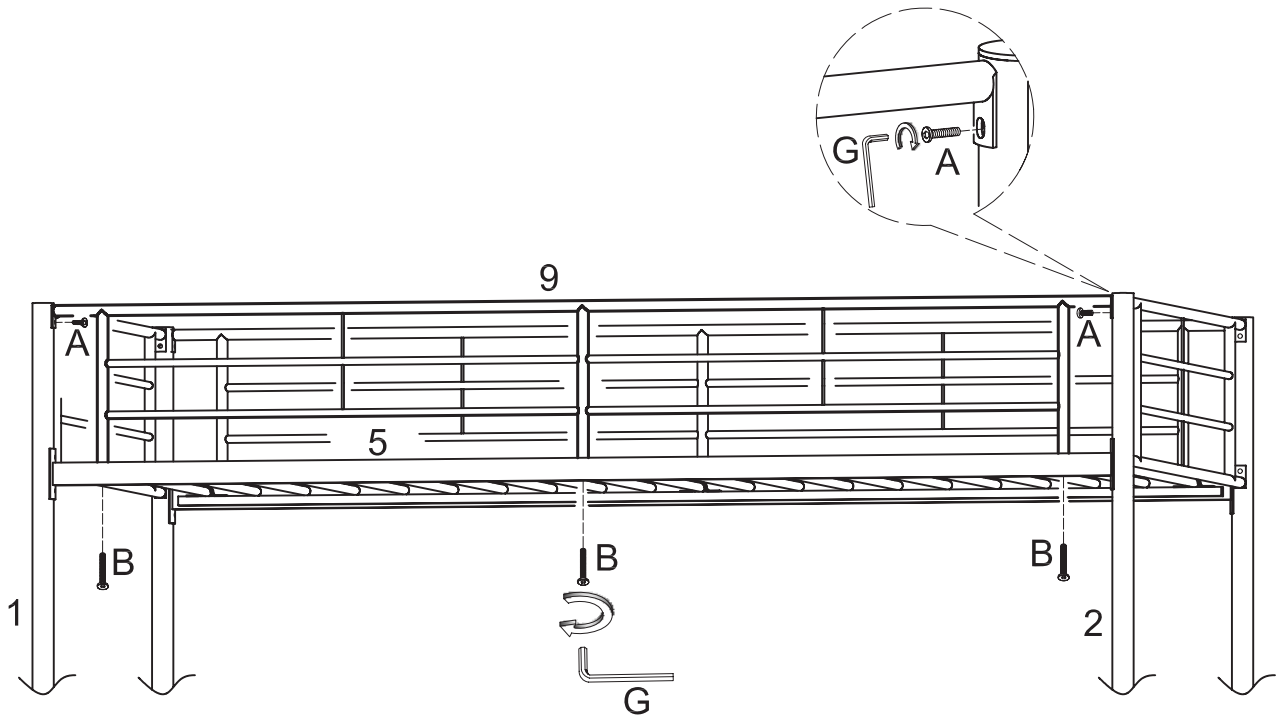
Roll mattress support slats (11) out along the bed frame and secure them to the bed frame using anchors (F) and bolts (A) where indicated above. *Bolts (A) will screw directly into crossbars (5,6).* Tighten bolts (A) with wrench (G).

Step 6



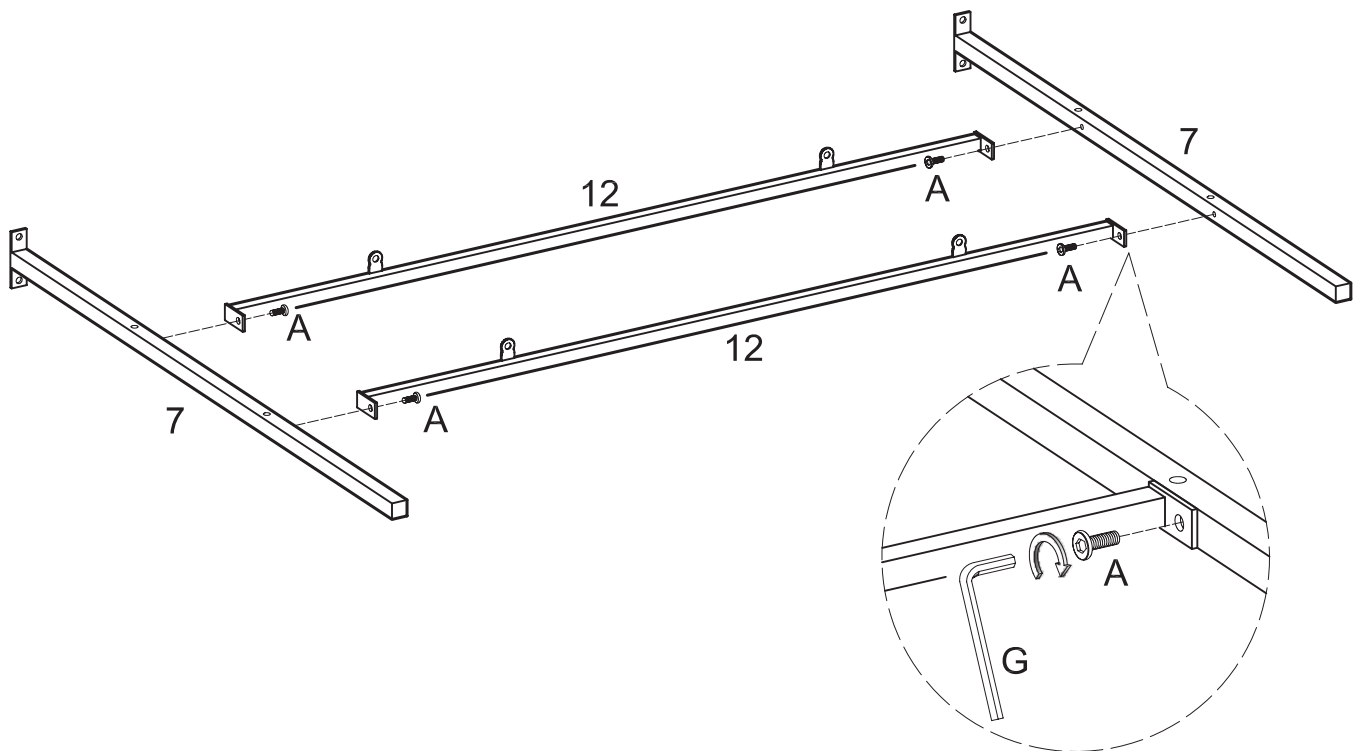
Attach guardrail (9) to posts (3,4) using bolts (A). Secure guardrail (9) to crossbar (6) using bolts (B). Tighten bolts (A,B) with wrench (G).

Step 7



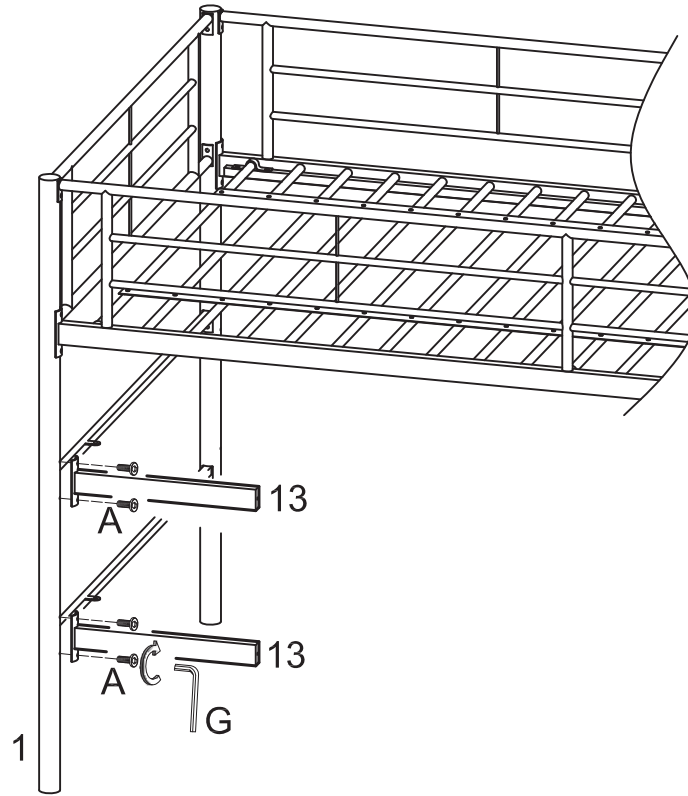
Attach second guardrail (9) to posts (1,2) using bolts (A). Secure guardrail (9) to crossbar (5) using bolts (B). Tighten bolts (A,B) with wrench (G).

Step 8



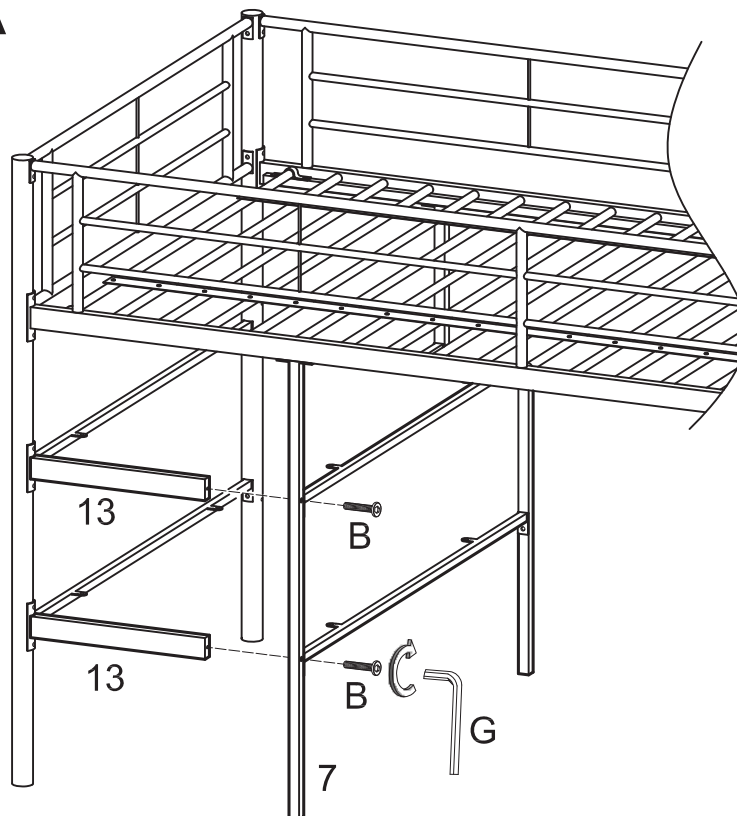
Attach shelf supports (12) to rails (7) using bolts (A). Tighten bolts (A) with wrench (G).

Step 10A



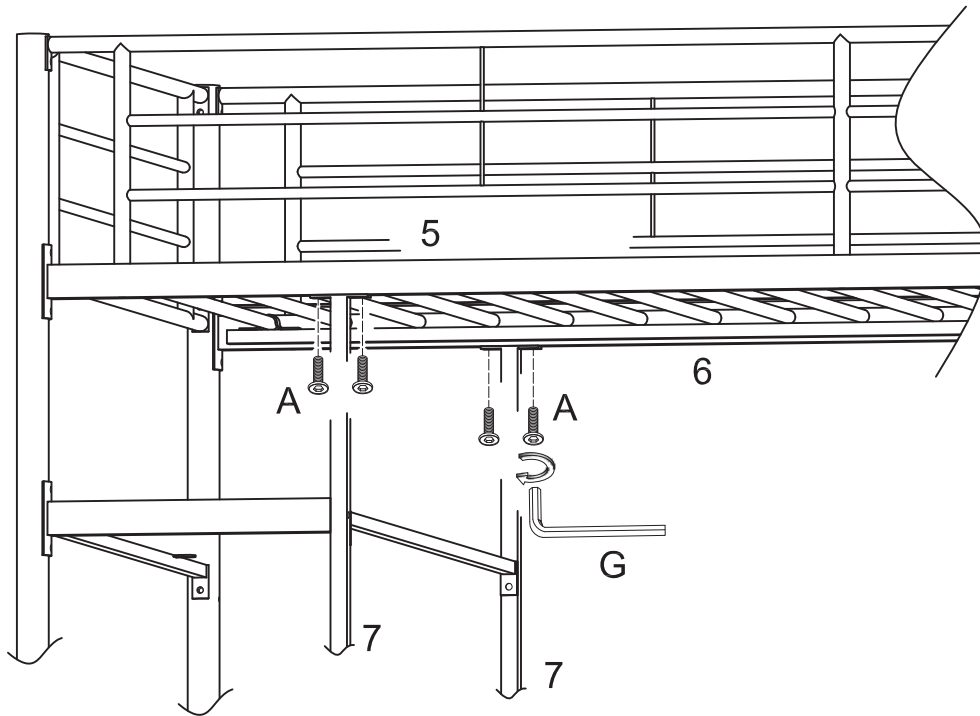
Attach ladder rungs (13) to post (1) using bolts (A). Tighten bolts (A) with wrench (G).

Step 11A



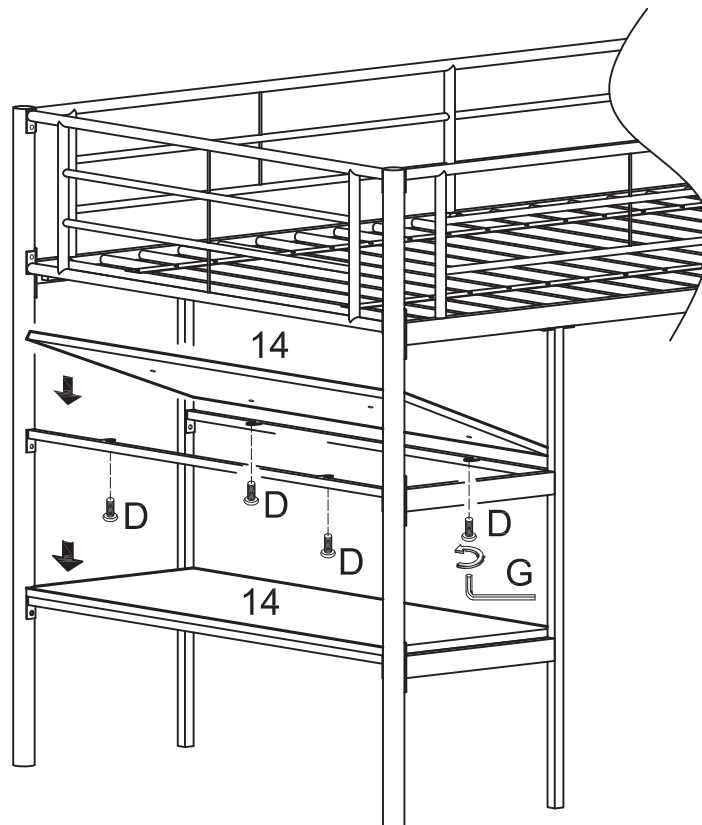
Attach the shelf support assembly from Step 7 to ladder rungs (13) using bolts (B). Rail (7) will attach directly to ladder rungs (13). Tighten bolts (B) with wrench (G).

Step 12A



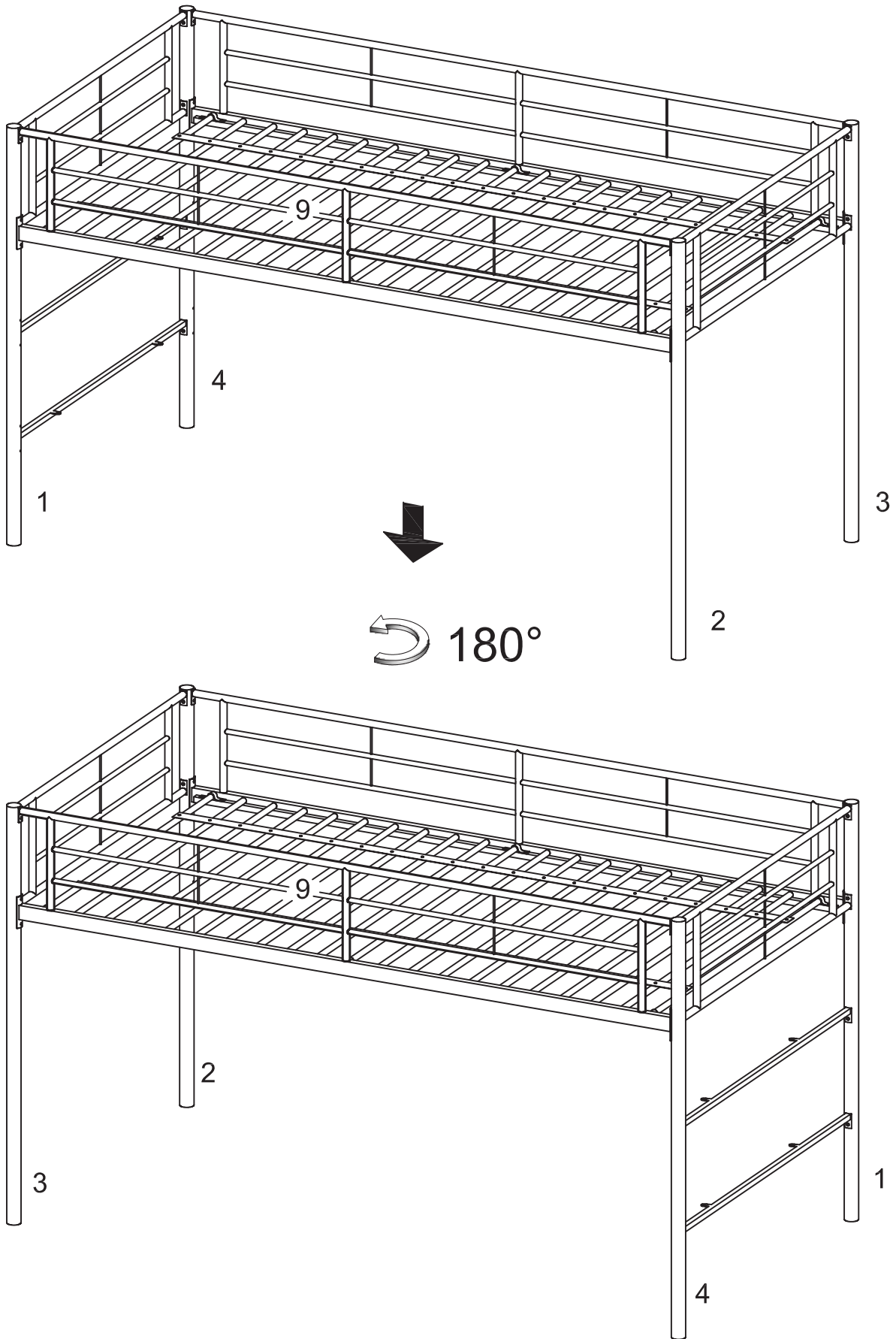
Secure rails (7) to crossbars (5,6) using bolts (A). Tighten bolts (A) with wrench (G).

Step 13A



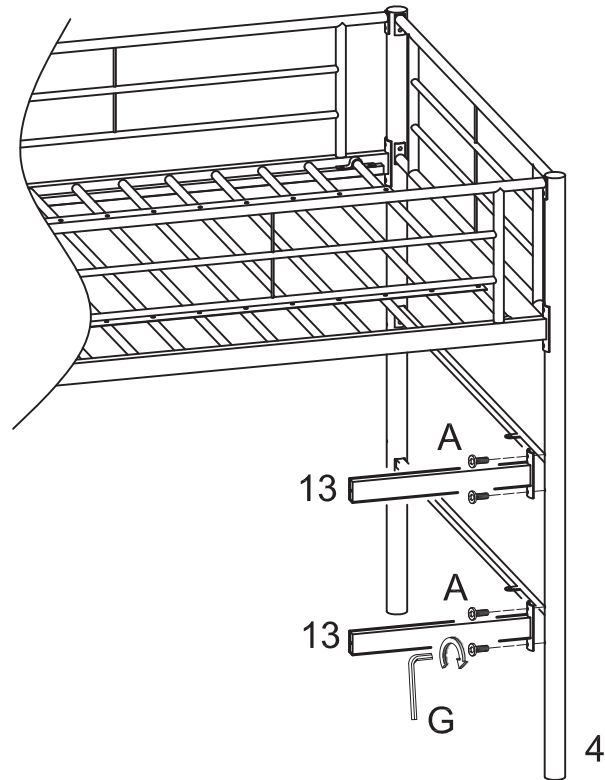
Attach shelves (14) to the bed frame using bolts (D). *Four bolts (D) will be used to attach each shelf.* Tighten bolts (D) with wrench (G).

Step 9



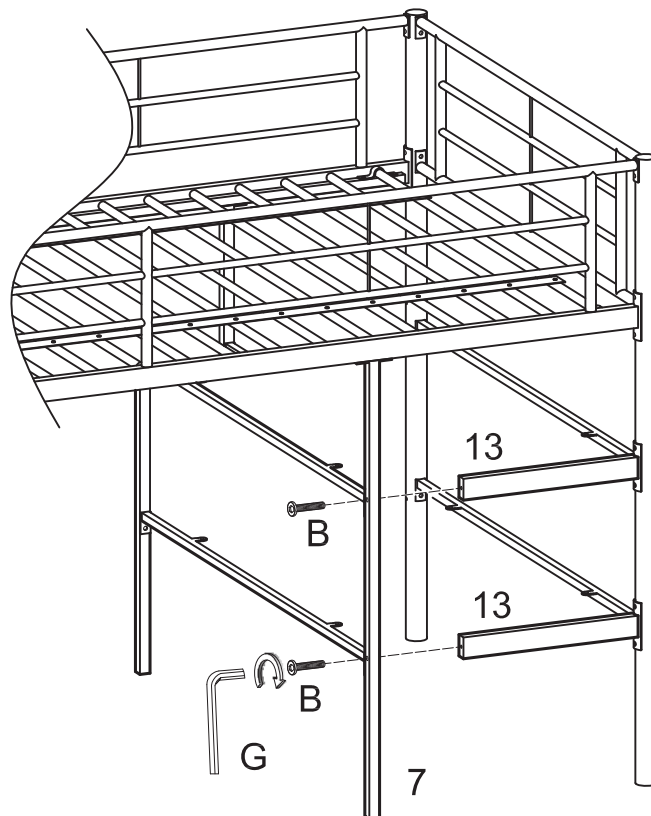
Rotate bed frame so posts (3,4) are at the front and posts (1,2) are at the back.

Step 10B



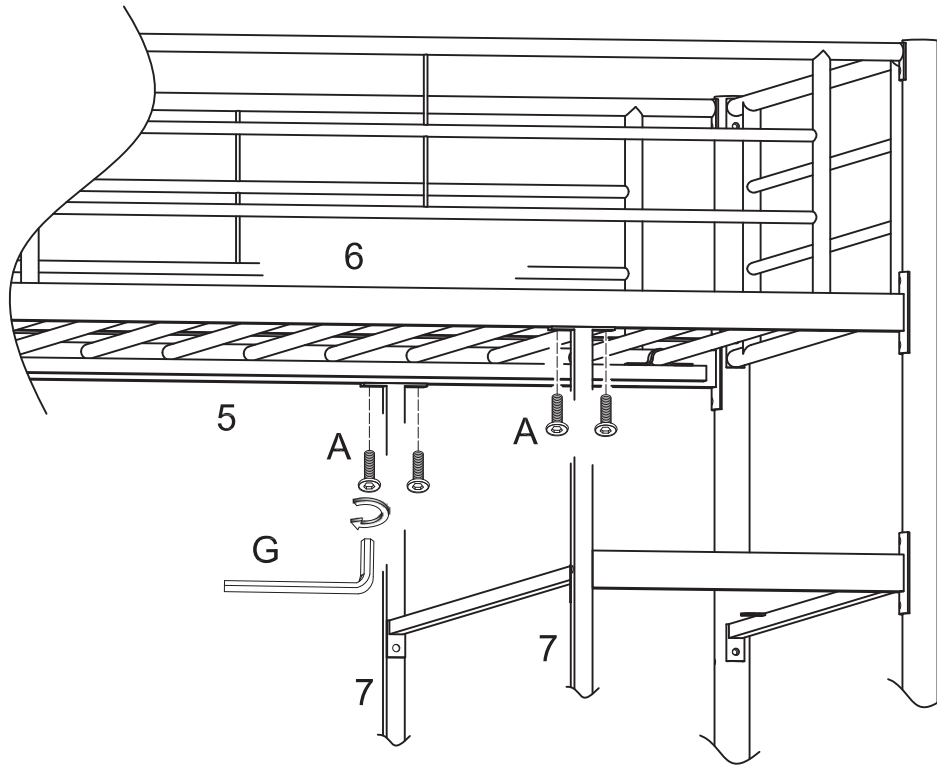
Attach ladder rungs (13) to post (4) using bolts (A). Tighten bolts (A) with wrench (G).

Step 11B



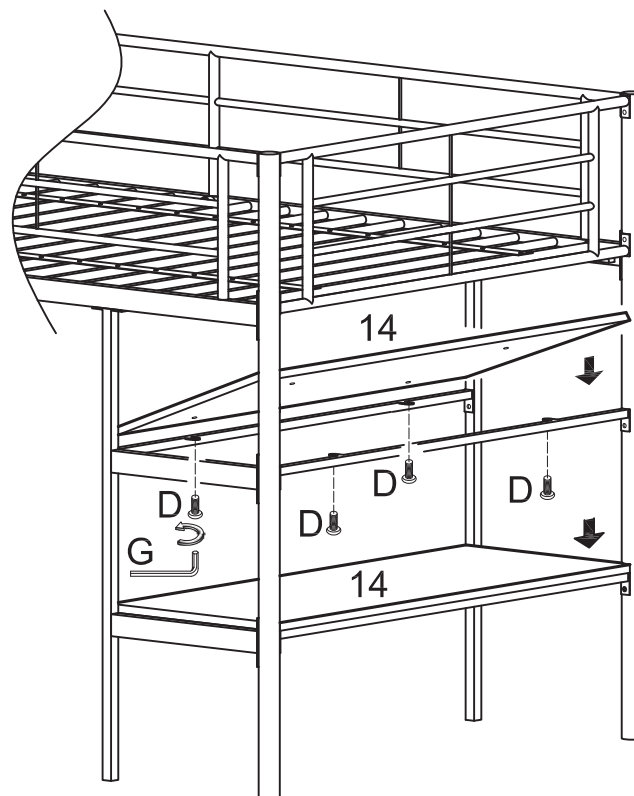
Attach the shelf support assembly from Step 7 to ladder rungs (13) using bolts (B). Rail (7) will attach directly to ladder rungs (13). Tighten bolts (B) with wrench (G).

Step 12B



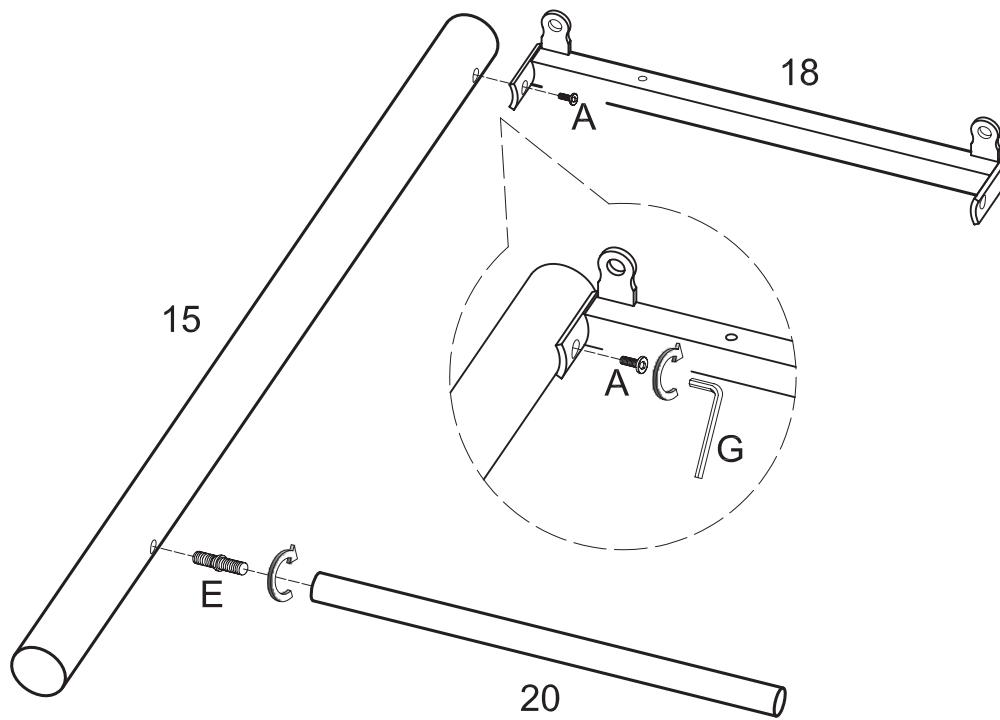
Secure rails (7) to crossbars (5,6) using bolts (A). Tighten bolts (A) with wrench (G).

Step 13B



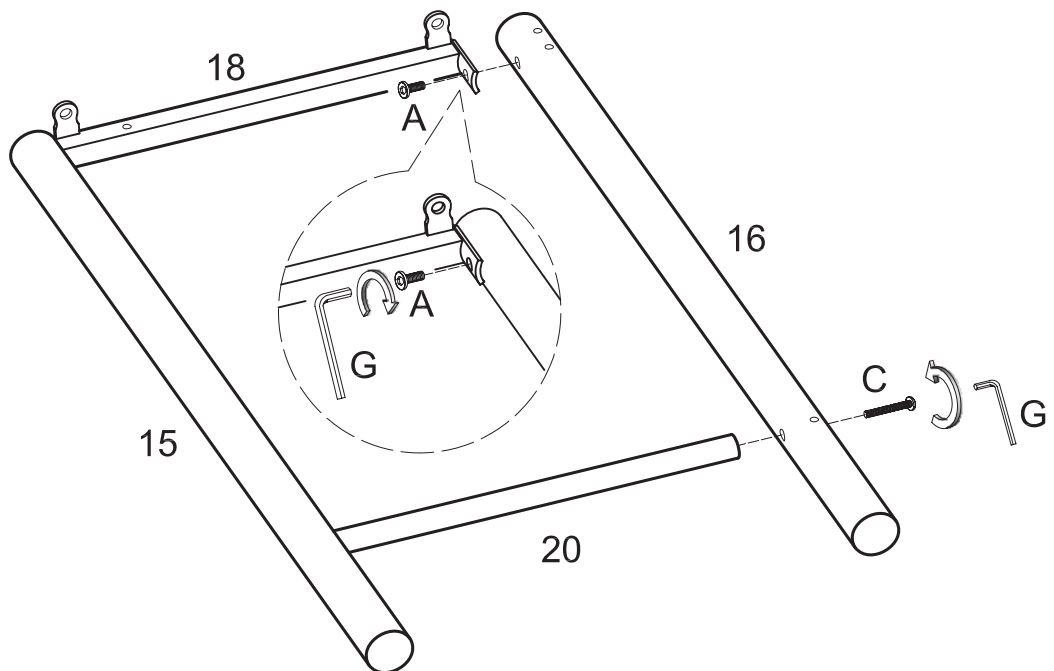
Attach shelves (14) to the bed frame using bolts (D). *Four bolts (D) will be used to attach each shelf.* Tighten bolts (D) with wrench (G).

Step 14



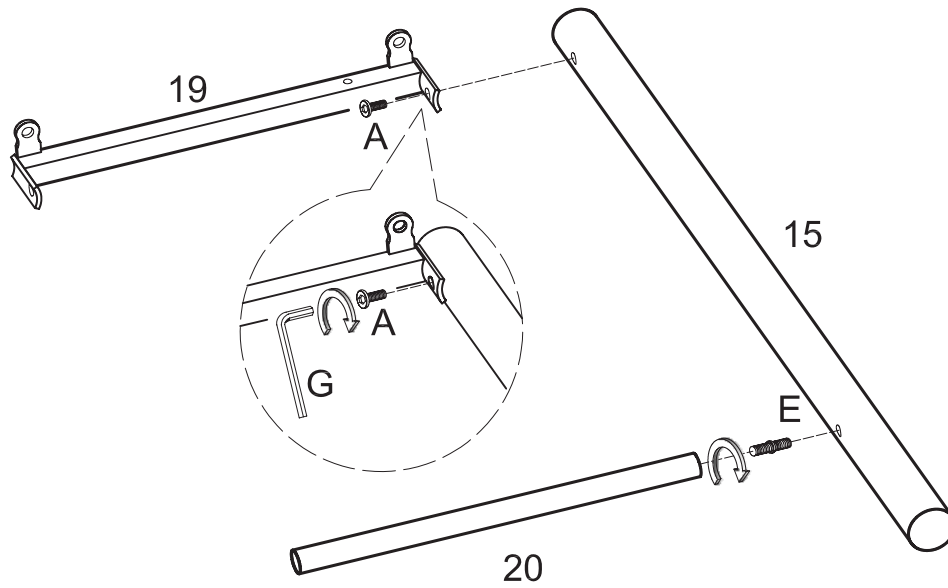
Attach desk support (18) to desk post (15) using bolt (A). Tighten bolt (A) with wrench (G). Attach desk crossbar (20) to desk post (15) using double-ended bolt (E). *Please note the position of all pre-drilled holes as shown above before attaching desk parts together.*

Step 15



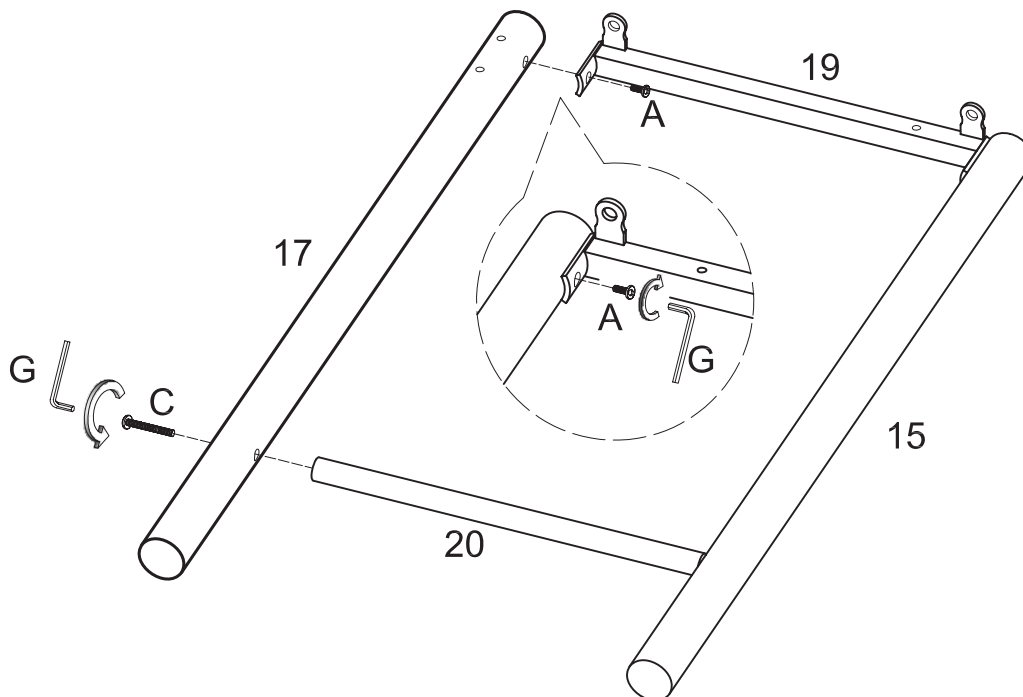
Attach opposite end of desk support (18) to desk post (16) using bolt (A). Attach opposite end of desk crossbar (20) to desk post (16) using bolt (C). Tighten bolts (A,C) with wrench (G).

Step 16



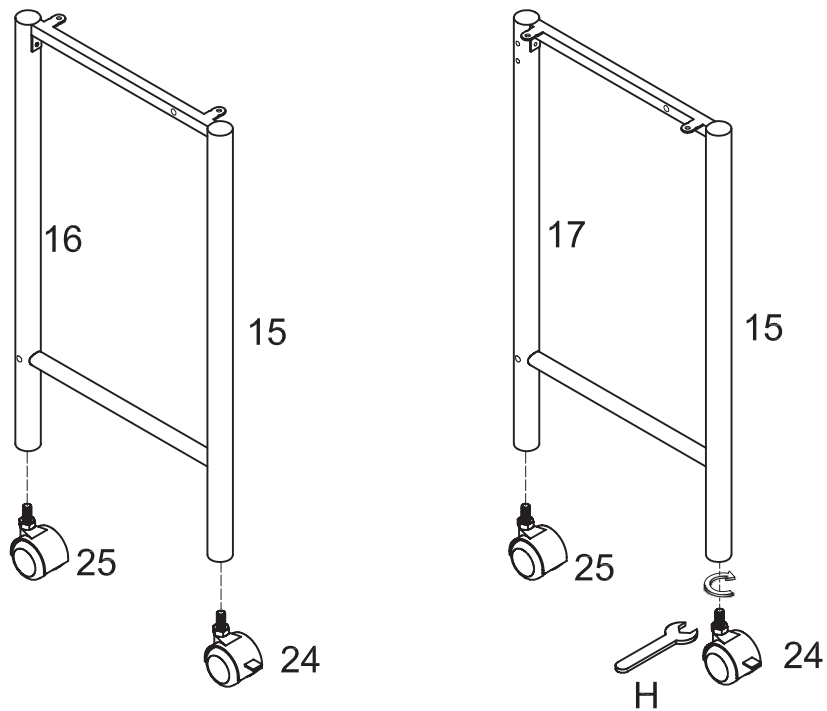
Attach desk support (19) to desk post (15) using bolt (A). Tighten bolt (A) with wrench (G). Attach desk crossbar (20) to desk post (15) using double-ended bolt (E). *Please note the position of all pre-drilled holes as shown above before attaching desk parts together.*

Step 17



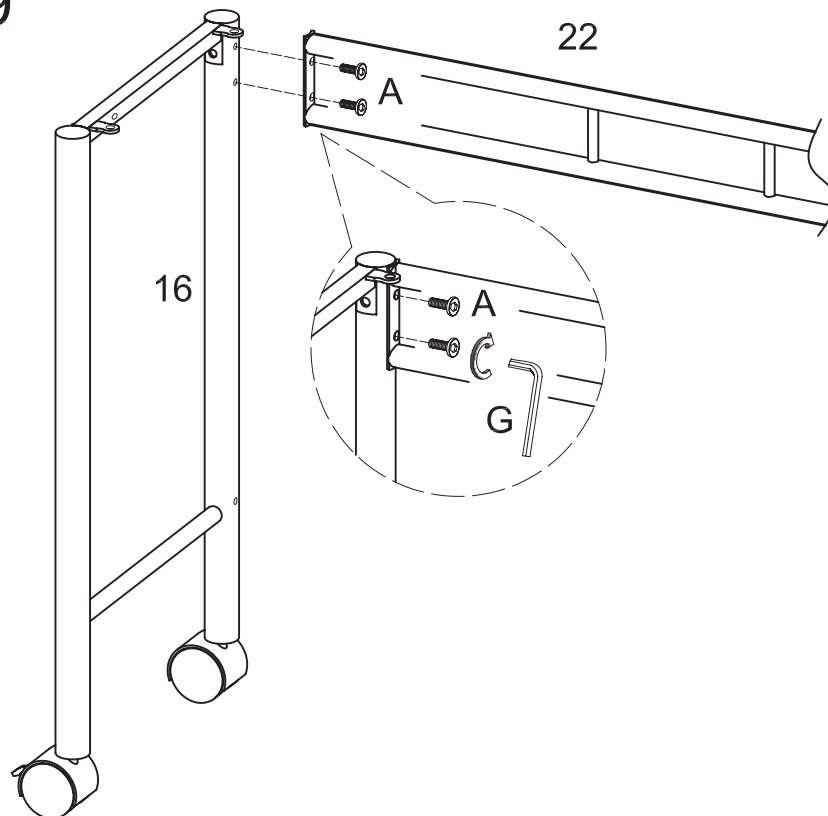
Attach opposite end of desk support (19) to desk post (17) using bolt (A). Attach opposite end of desk crossbar (20) to desk post (17) using bolt (C). Tighten bolts (A,C) with wrench (G).

Step 18



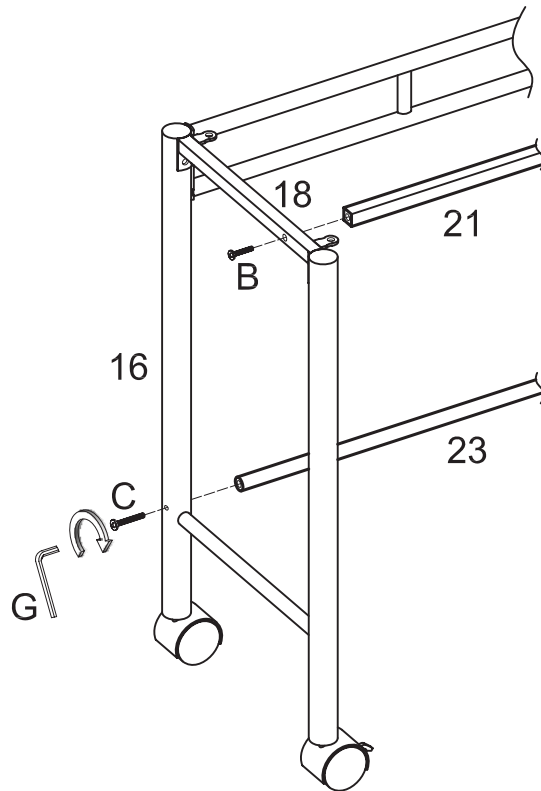
Screw wheels (24,25) into desk posts (15,16,17). Use wrench (H) to tighten the connection of wheels to posts.

Step 19



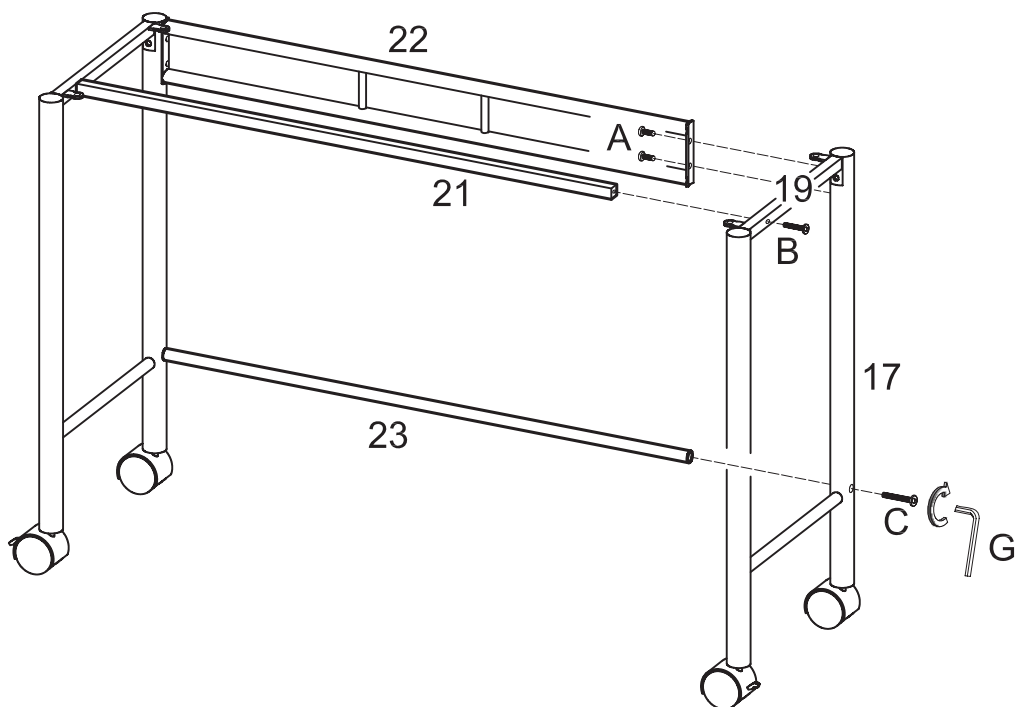
Attach desk crossbar (22) to desk post (16) using bolts (A). Tighten bolts (A) with wrench (G).

Step 20



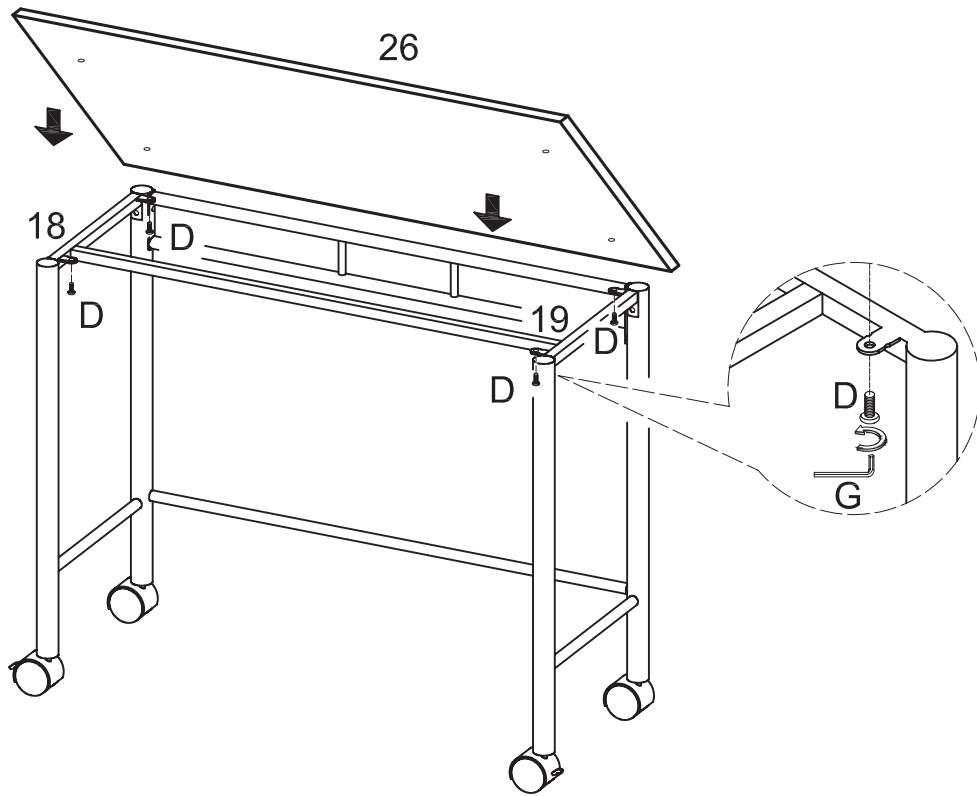
Attach desk crossbar (21) to desk support (18) using bolt (B). Attach desk crossbar (23) to desk post (16) using bolt (C). Tighten bolts (B,C) with wrench (G).

Step 21



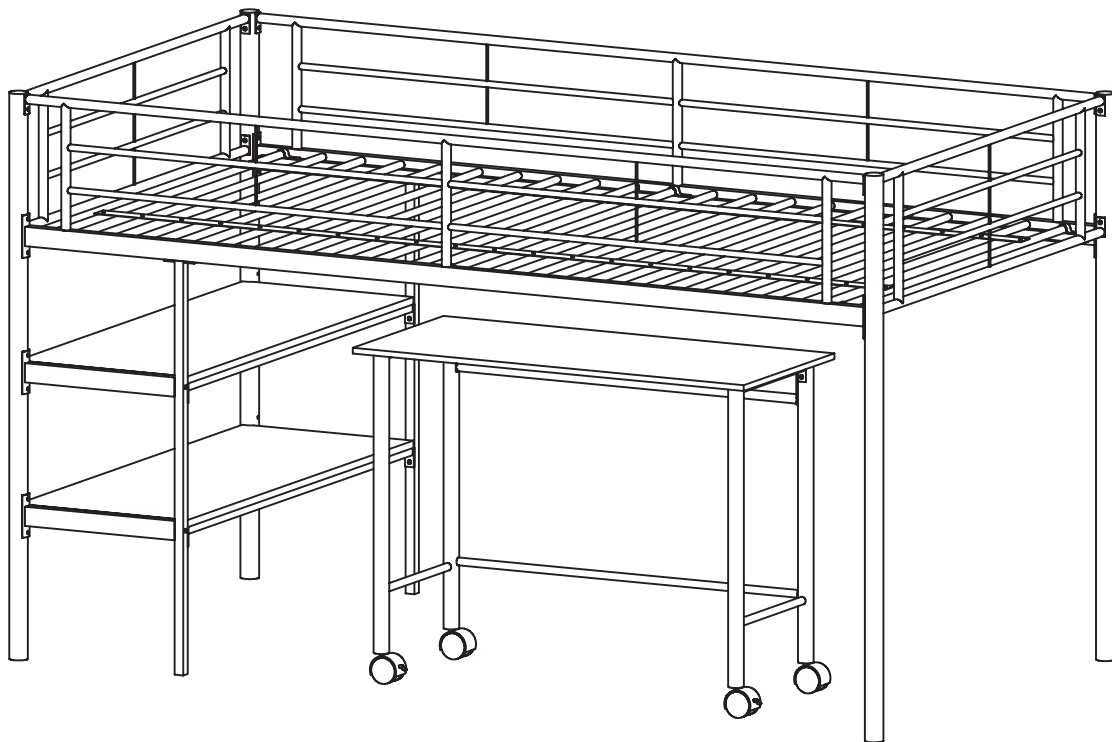
Attach opposite end of desk crossbar (21) to desk support (19) using bolt (B). Attach opposite end of desk crossbar (22) to desk post (17) using bolts (A). Attach opposite end of desk crossbar (23) to desk post (17) using bolt (C). Tighten bolts (A,B,C) with wrench (G).

Step 22



Attach desk top (26) to desk supports (18,19) using bolts (D). Tighten bolts (D) with wrench (G).

Step 23



Final Assembly