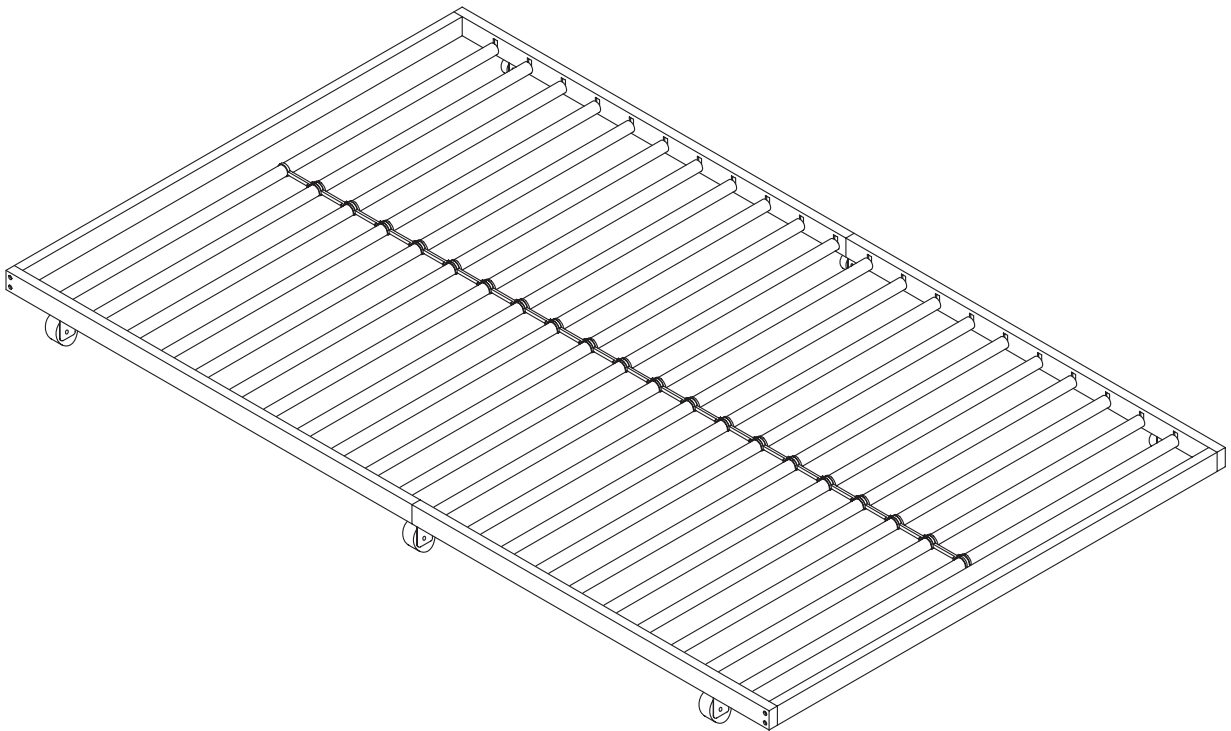


**W** Walker  
**E** Edison  
furniture company

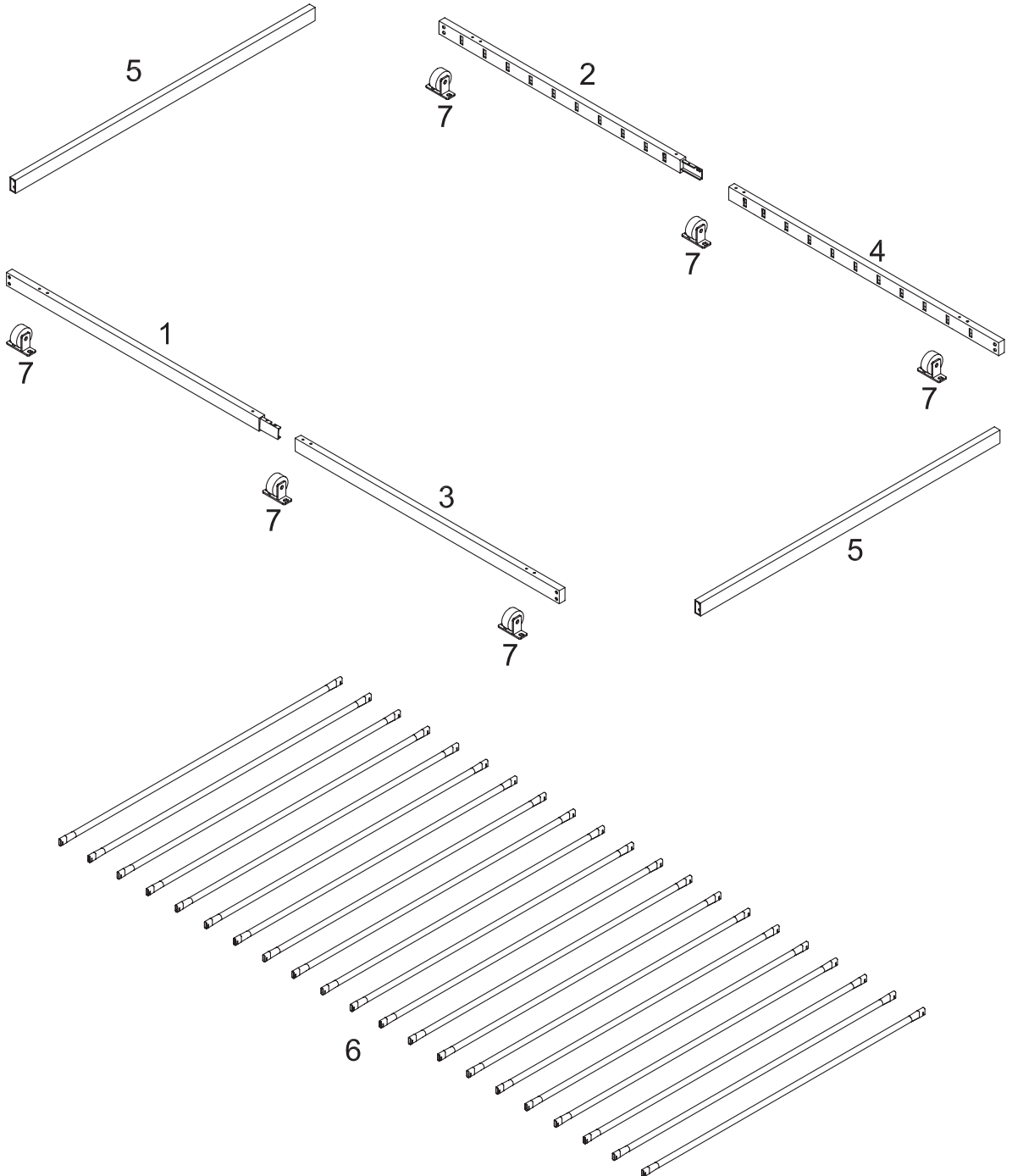
Item #: BT40TB  
Assembly Instructions



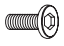




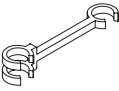


*For our most current instructions, to request missing, lost or broken parts, or for any other Customer Service issues, please visit our website at [www.walkeredison.com](http://www.walkeredison.com) or call us at 877-207-5906.*

Revised 102010

# Parts List

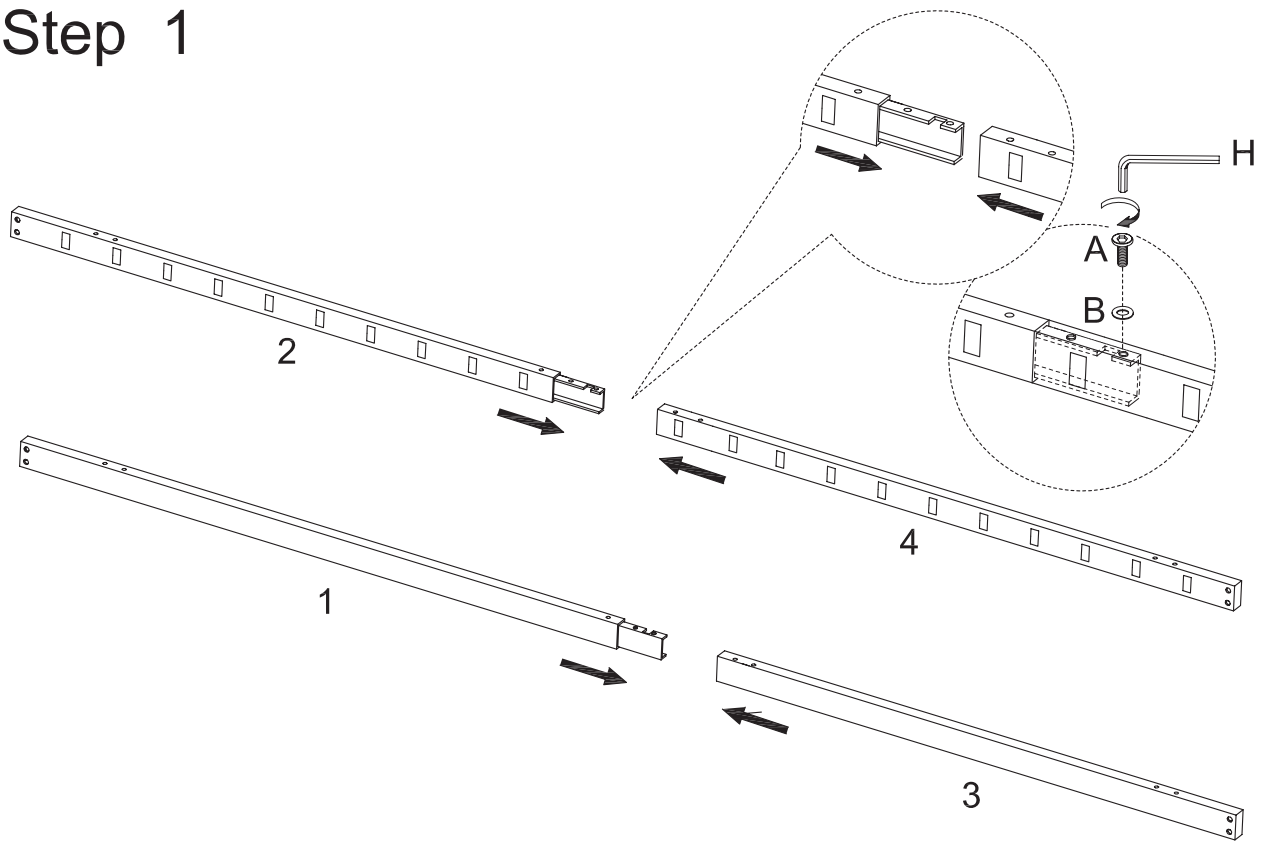


# Hardware List

A		1/4"*1/2"	Small bolt	14 pcs
B		Ø16mm	Small washer	14 pcs
C		5/16"*1-1/2"	Large bolt	8 pcs
D		Ø18	Large washer	8 pcs
E			Plastic tab lock	42 pcs
F			Plastic link	20 pcs
G		M5	Large wrench	1 pcs
H		M4	Small wrench	1 pcs

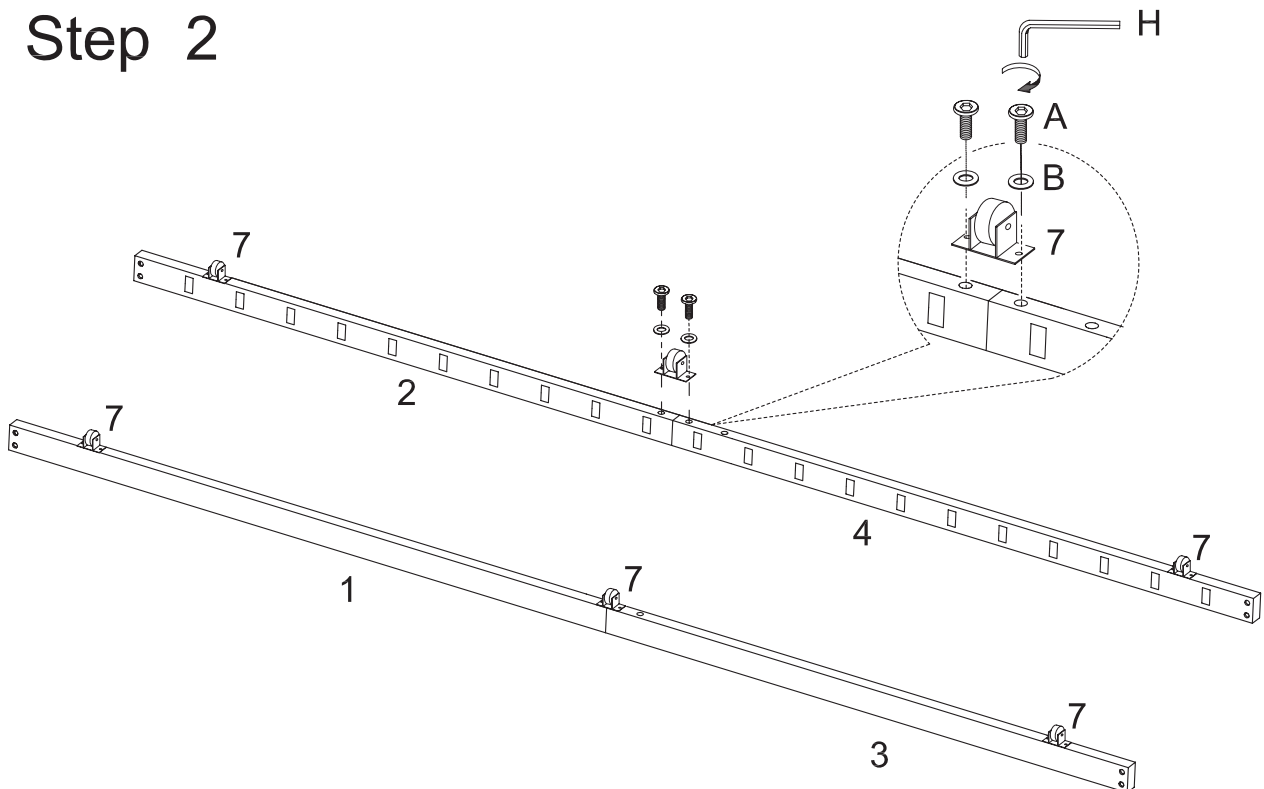
*The hardware quantities listed above are required for proper assembly.  
Some extra hardware may also have been included.*

## Step 1



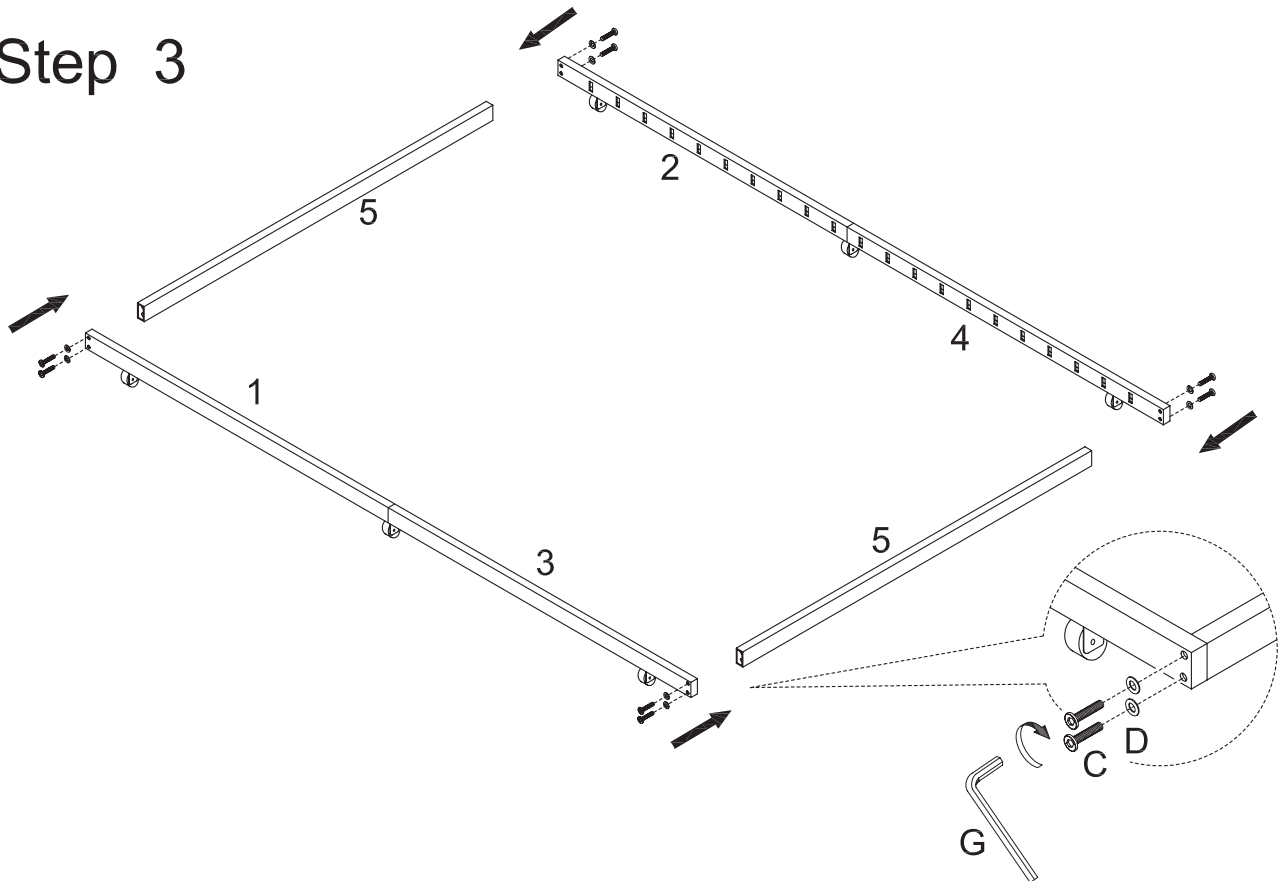
Slide rail (1) into rail (3), and rail (2) into rail (4). Secure rails (1,2) to rails (3,4) using small washer (B), small bolt (A) and small wrench (H).

## Step 2



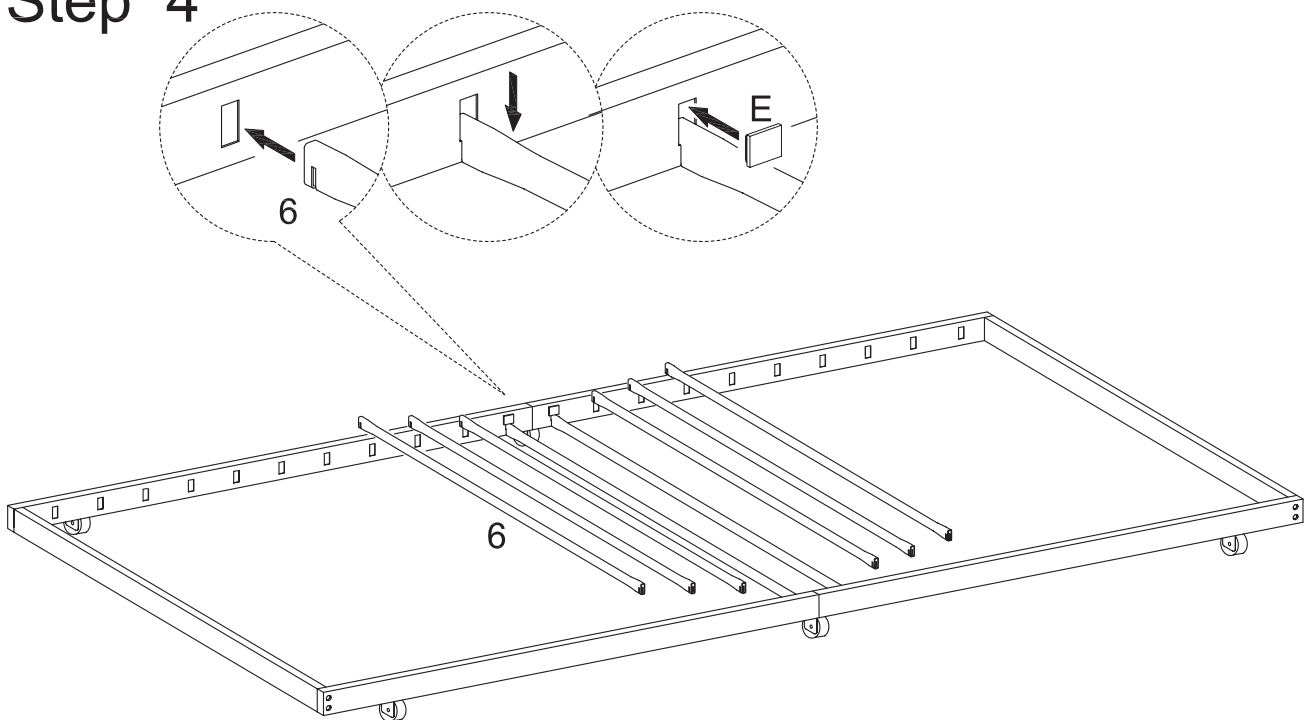
Attach wheels (7) to the rail assemblies from Step 1 using small washer (B), small bolts (A) and small wrench (H).

## Step 3



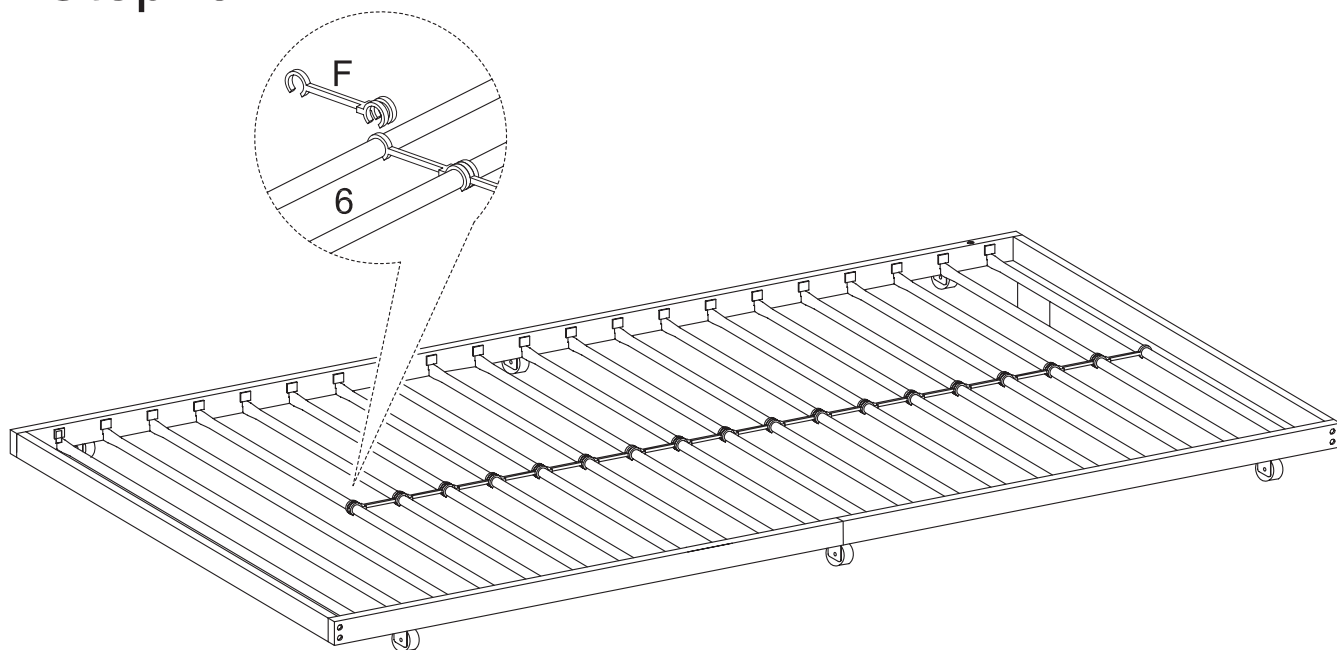
Attach rails (5) to the rail assemblies from Step 1 using large washers (D), large bolts (C) and large wrench (G).

## Step 4



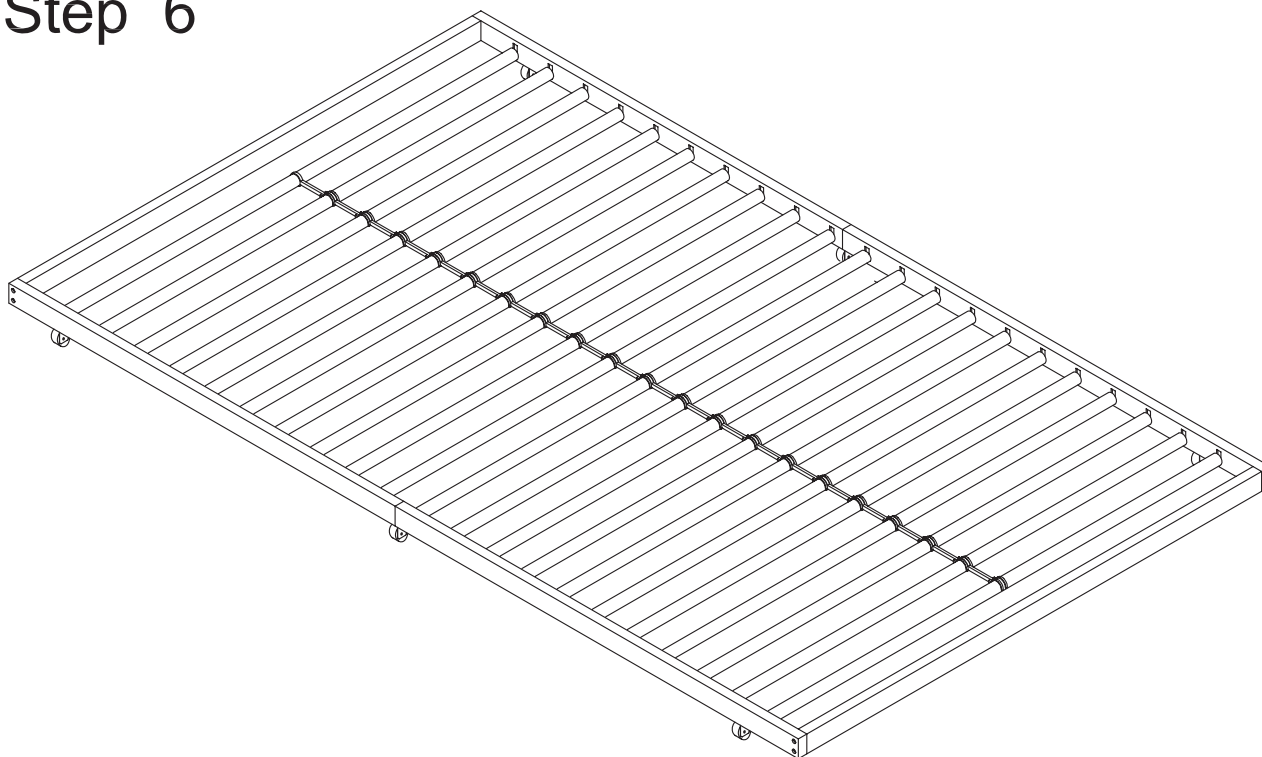
Carefully insert mattress support bars (6) into the slots of the rail assemblies from Step 1. Starting from the center and working out, secure mattress support bars (6) with plastic tab locks (E). First slide the left side of plastic tab lock (E) into the rail slot then snap the right side into the slot. *It may be necessary to apply more pressure to some plastic tab locks than others in order to secure them.*

## Step 5



Snap plastic links (F) onto the middle of mattress support bars (6).

## Step 6



Final Assembly