

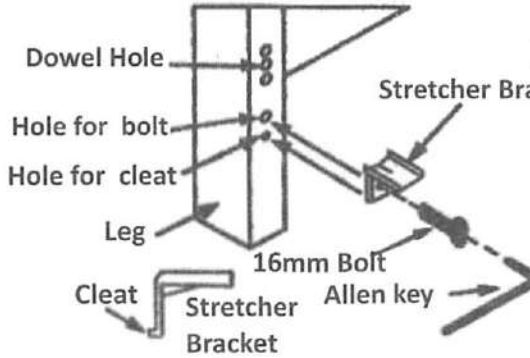
ASSEMBLY INSTRUCTION

FULL SIZE & QUEEN SIZE

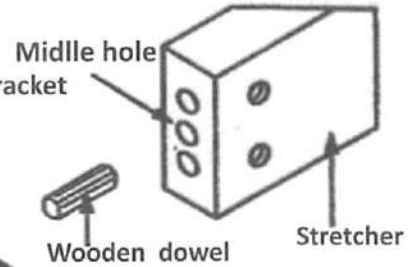
6A. PREPARE ARMS FOR ASSEMBLY.

FASTEN STRETCHER BRACKETS TO ARM.

- A. Insert the Stretcher Bracket Cleat into the hole provided
- B. **IMPORTANT:** Don't fully tighten Bracket until Stretchers are all in place for easy alignment.
- C. Each arm requires two brackets, front and back.

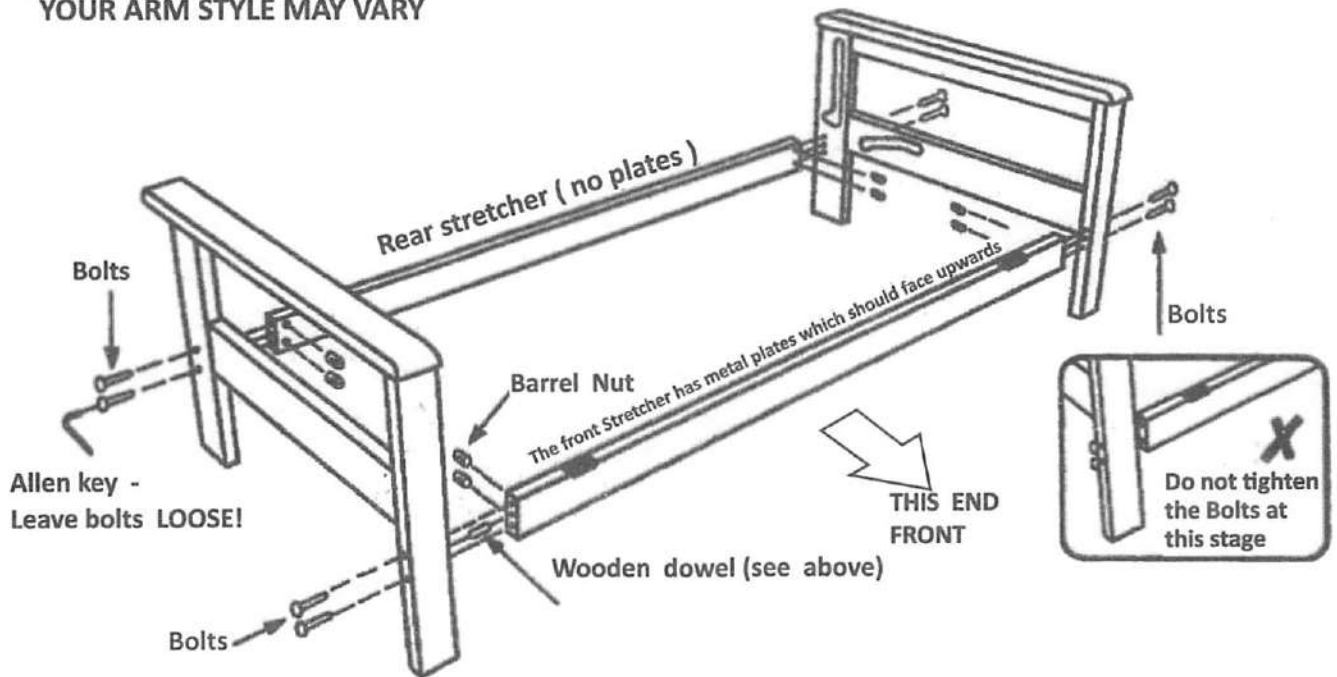


FIT WOODEN DOWELS.



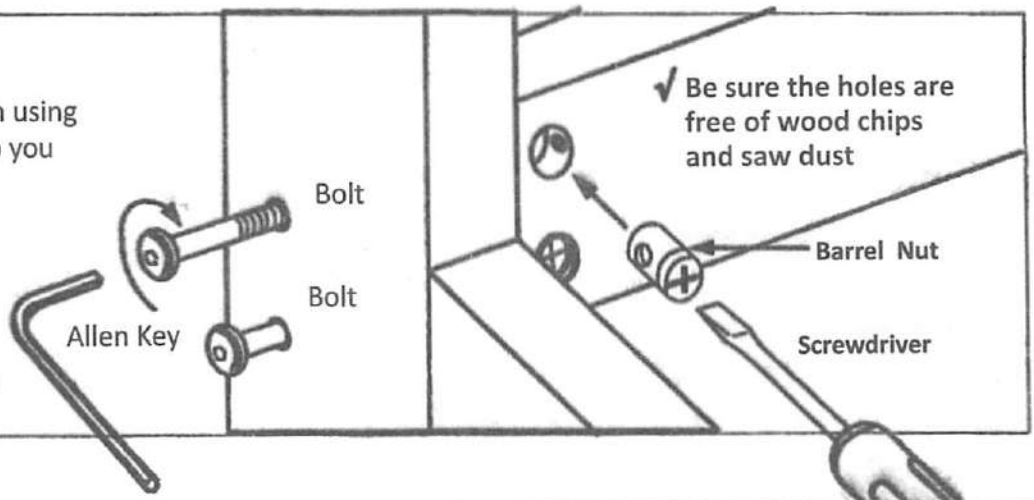
Tap dowels all the way into the middle hole, at each end of the Stretcher.

6B. ATTACH ARMS TO STRETCHERS. YOUR ARM STYLE MAY VARY



BOLT AND BARREL NUT ASSEMBLY SYSTEM

- ✓ Insert Barrel Nuts as shown using a screwdriver. This will help you position the Nut in line with the Bolts
- ✓ Do not force the Bolt as you may strip the thread. Be sure the thread is properly started.



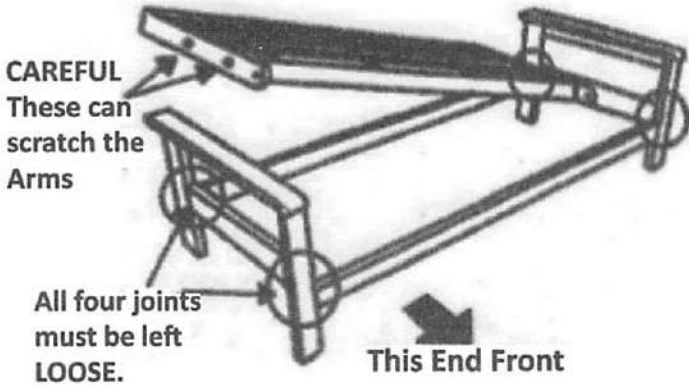
✓ Be sure the holes are free of wood chips and saw dust

ASSEMBLY INSTRUCTION

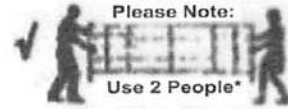
FULL SIZE & QUEEN SIZE

7A. FIT BACK DECK INTO POSITION

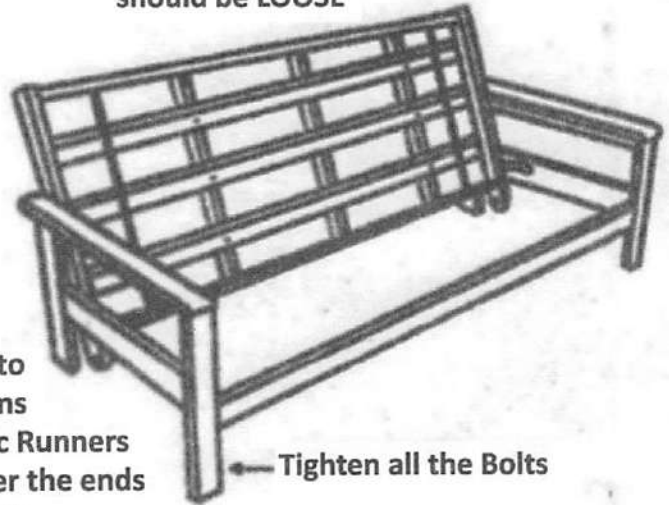
A. Insert the Back Deck lying flat. Insert one end first. then gently lower the other end into position.



Your arm style may vary



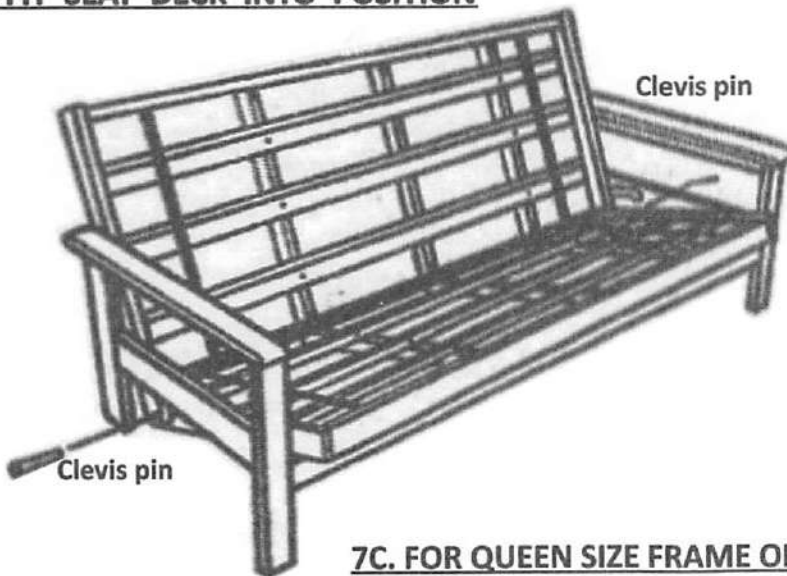
✓ Remember that the Bolts on the Arms should be LOOSE



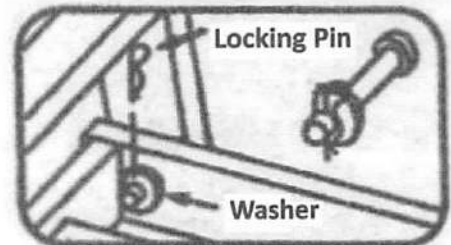
B. When you have the Back deck fitted lying flat, tighten all the Bolts. From the back, lift the Back Deck to upright as illustrated.

■ Be careful not to scratch the Arms with the Plastic Runners when you lower the ends of the Back Deck.

7B. FIT SEAT DECK INTO POSITION

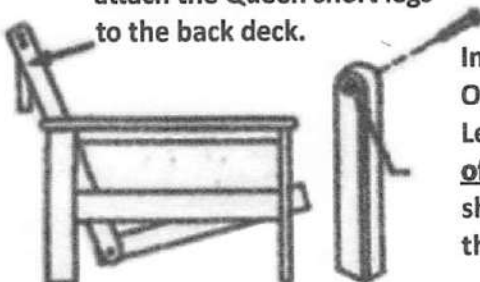


Fit the seat deck between the Arms and into the Back Deck as shown. Use the Clevis Pins to connect the two decks. Secure with a washer and Locking Pin.



7C. FOR QUEEN SIZE FRAME ONLY: ATTACH SHORT LEGS

Using the extra 50mm bolts attach the Queen short legs to the back deck.



Important Note:
Orientation of the Queen Short Leg. Note that the exposed part of the metal nut in the leg should be oriented away from the bolt for proper assembly.

