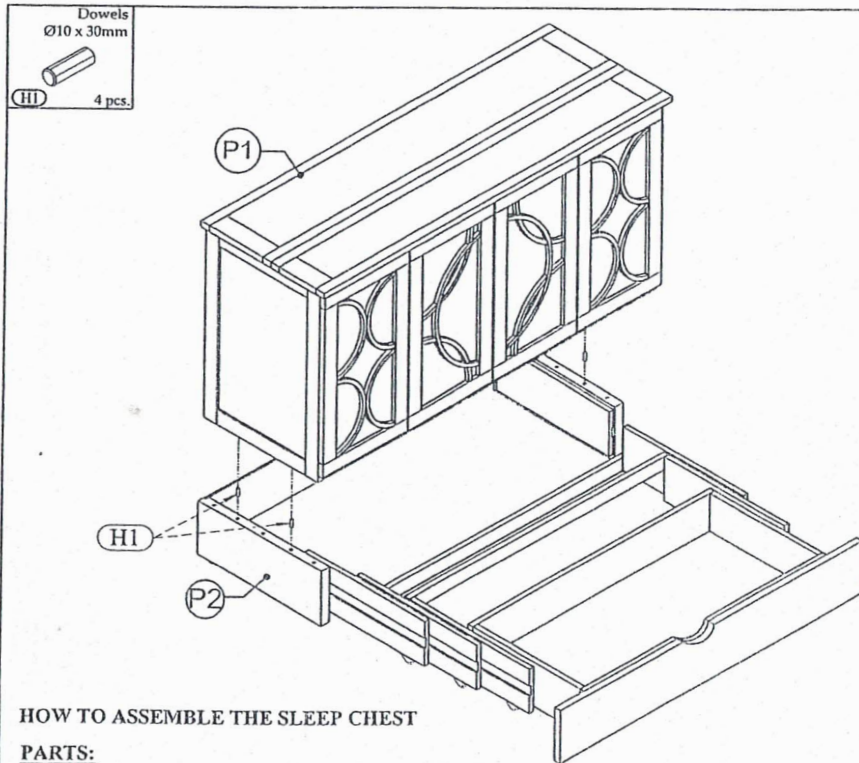


Arason Enterprises, Inc. • P. O. Box 3274 • Annapolis, MD 21403 •
 410-703-4412 • www.fu-chest.com
 US Patent No. 7,574,758 B2 • Canadian Patent / No. 2,577,377



HOW TO ASSEMBLE THE SLEEP CHEST

PARTS:

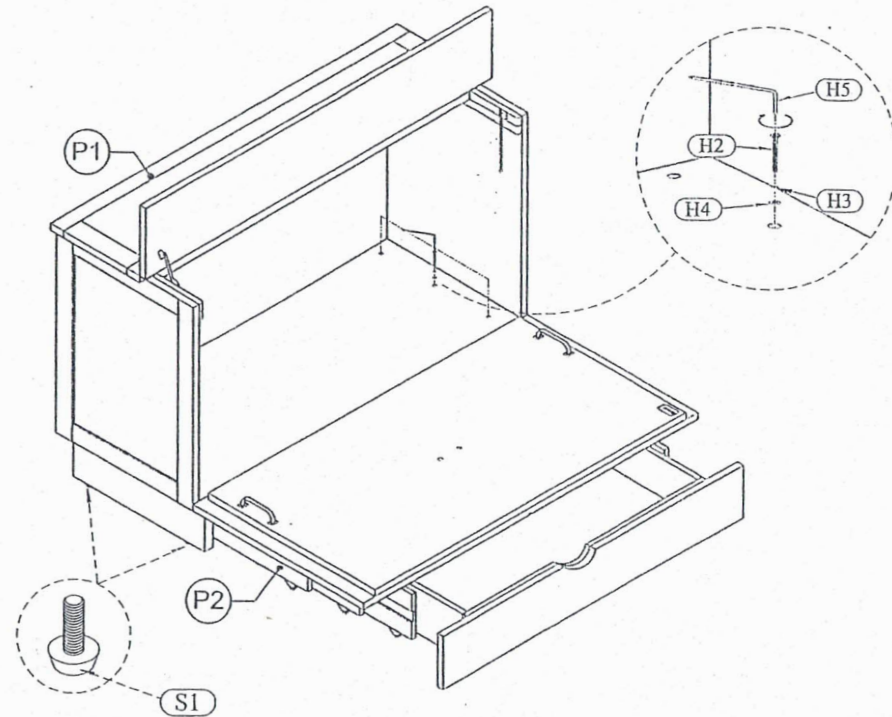
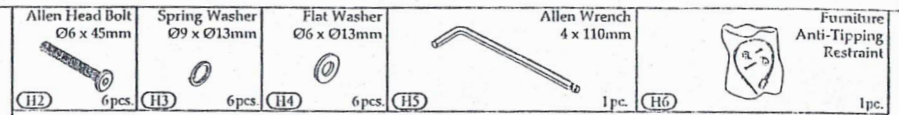
P1 - Upper Cabinet
 P2 - Base/drawer assembly

HARDWARE:

H1 - Dowels x 4
 H2 - Allen Head Bolt x 6
 H3 - Spring Washer x 6
 H4 - Flat Washer x 6
 H5 - Allen Wrench x 1
 H6 - Furniture Anti-Tipping Restraint x 1

Note: Open and unpackage mattress immediately so it fully expands. Mattress will take 24-48 hours to fully expand.

- Step 1: Clear the area where the Sleep Chest will be placed.
- Step 2: Open the upper cabinet by raising the top and sliding open the bolts on either side. Lower the front and remove the contents, the base (P2) and the mattress. Close and latch the cabinet. (Place a blanket on the floor to avoid scratching the finish.)
- Step 3: Place the base (P2) on the floor where the cabinet will sit. Extend the levelers (S1) on the bottom of the base. Adjust as needed, especially if the drawer unit drags on the carpet when extended.
- Step 4: Put the 4 dowels (H1) in the dowel holes in the sides of the base as shown. There are 10 holes, 4 are for dowels, 6 have a metal insert.



- Step 5: With two people on either side, lift and position the upper cabinet on the base. Line up the dowels. Be sure cabinet is well sealed. Use caution and keep fingers from between parts when seating.
- Step 6: Use the hex tool (H5) to secure the the upper cabinet to the base with the six bolts (H2), spring washer (H3) and flat washer (H4) as shown in the illustration.
- Step 7: Carefully open the compressed mattress. Adjust the cover as needed as the mattress expands. Store the folded mattress in the upper cabinet.
- Step 8: Connect the Anti - Tip Restraint to the wall.

HOW TO USE:

- Step 1. Open the drawer until it is fully extended.
- Step 2. Flip open the top, unlatch the slide bolts on either side. Stand to the side and lower the front panel onto the felt covered runners. Use the lifting handles to open the fold out flap.
- Step 3. Unfold the mattress.

CAUTION: DO NOT ALLOW YOUNG CHILDREN TO OPERATE THE CABINET BED.
 Always use the safety chain and be sure the inner slide bolts are fastened when the cabinet is in the closed position and not in use.