

SNACK TABLE

ASSEMBLY INSTRUCTION
COASTER FINE FURNITURE



www.coastercompany.com

ASSEMBLY INSTRUCTION

ASSEMBLY TIPS:

- 1.Remove hardware from box and sort by size.
- 2.Please check to see that all hardware and parts are present prior to start of assembly.
- 3.Please follow attached instructions in the same sequence as numbered to assure fast & easy assembly.



Warning!!

- 1.Don't attempt to repair or modify parts that are broken or defective.Please contact the store immediately.
- 2.This product is for home use only and not intended for commercial establishment.

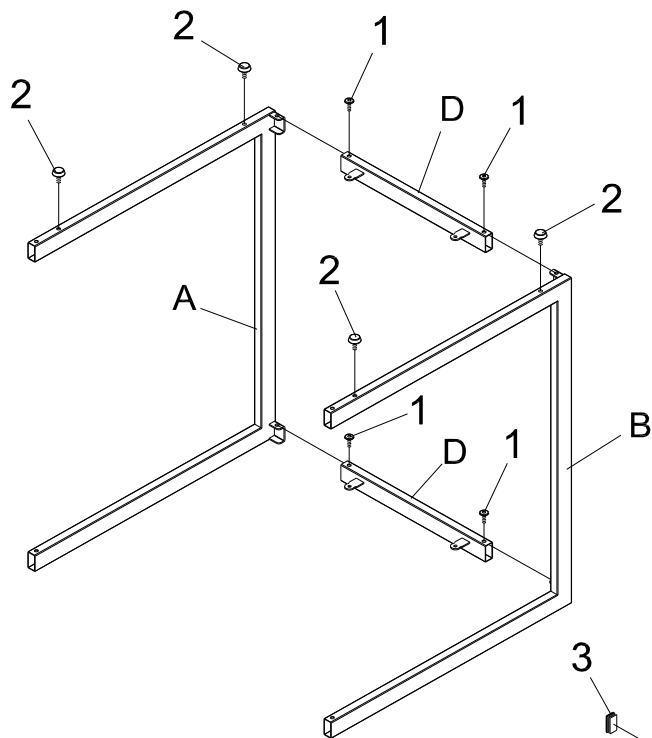
PARTS IDENTIFICATION

(A) LEFT SIDE		1PC	(C) WOOD		2PCS
(B) RIGHT SIDE		1PC	(D) REAR CROSSBAR		2PCS
			(E) FRONT CROSSBAR		2PCS

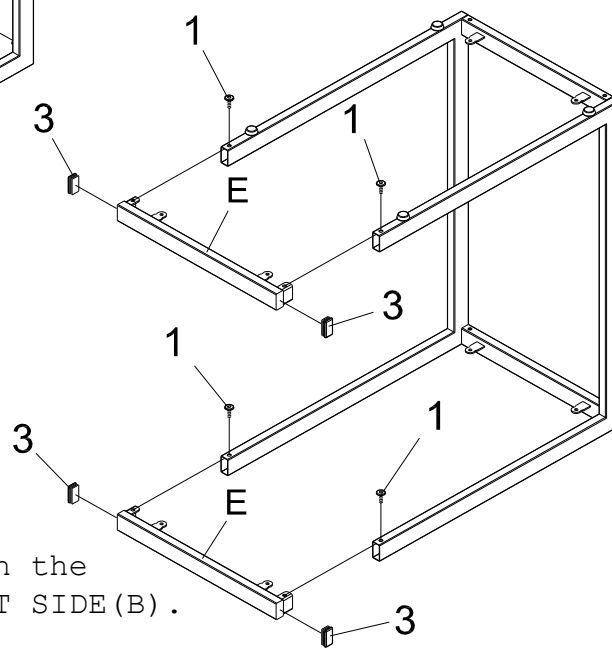
HARDWARE PACKAGE

Z	DESCRIPTION	FIGURE	Q'TY
1	ALLEN BOLT		8pcs
2	FLOOR LEVELER		4pcs
3	CAP		4pcs
4	ALLEN KEY		4pcs
5	SUCTION CUP		8pcs

STEP 1



STEP 2



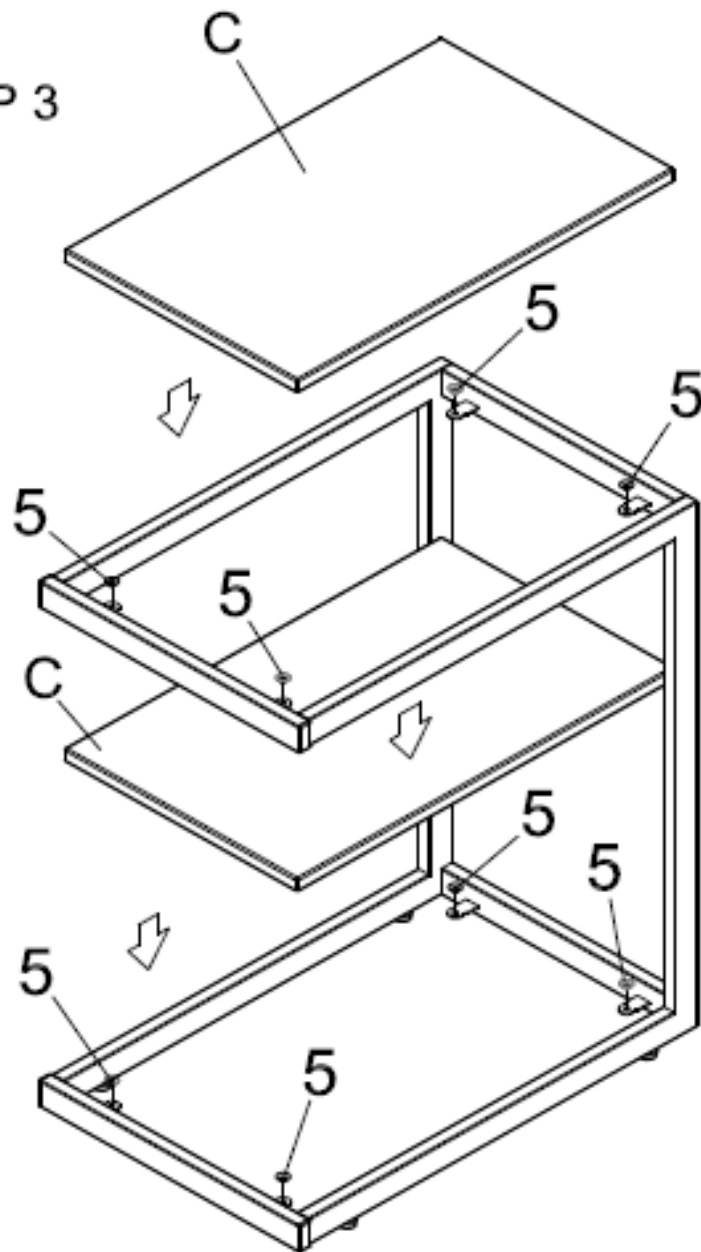
STEP1:

- 1.Attach the FLOOR LEVELERS(2)on the bottom of LEFT SIDE(A)and RIGHT SIDE(B) .
- 2.Insert the LEFT SIDE(A)and RIGHT SIDE(B) into the holes of the REAR CROSSBARS (D) , using the ALLEN BOLTS(1) .

STEP2:

- 1.Insert FRONT CROSSBAR(E)into the holes of the LEFT SIDE(A)and RIGHT SIDE(B) ,using the ALLEN BOLT(1) .
- 2.Insert the CAP(3)into the holes on both sides of FRONT CROSSBAR(E) .
- 3.Once assembled ,fully tighten all screws and bolts , then turn right side up .

STEP 3



STEP3:

1. Insert the SUCTION CUP(5) into the holes of REAR CROSSBAR(D) and FRONT CROSSBAR(E).

2. Place the WOOD(C) onto the SUCTION CUP(5).

FINISH

