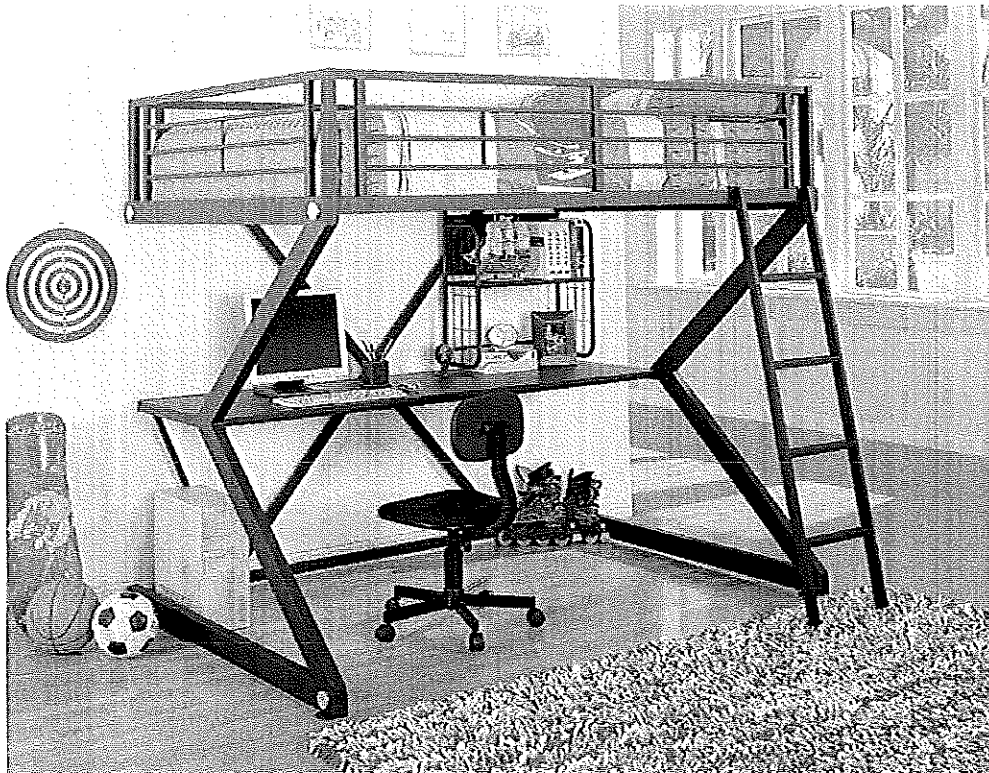


COASTER[®]
FINE FURNITURE

460092

WORKSTATION LOFT BED
WITH BOOKSHELF

ASSEMBLY INSTRUCTION
COASTER FINE FURNITURE



www.coastercompany.com

06/13/2012

ASSEMBLY INSTRUCTIONS

ASSEMBLY TIPS:

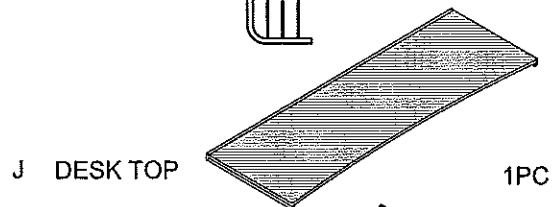
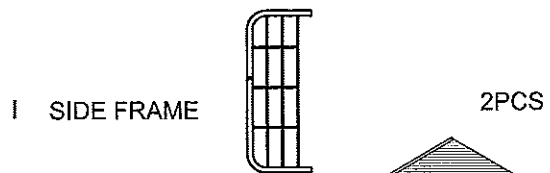
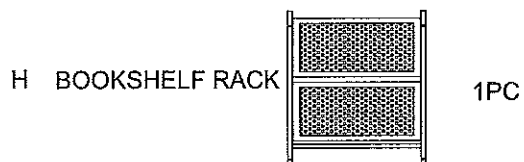
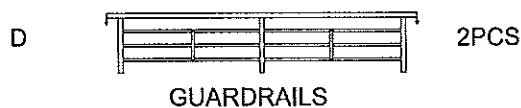
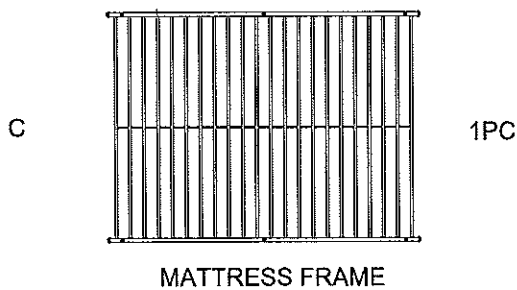
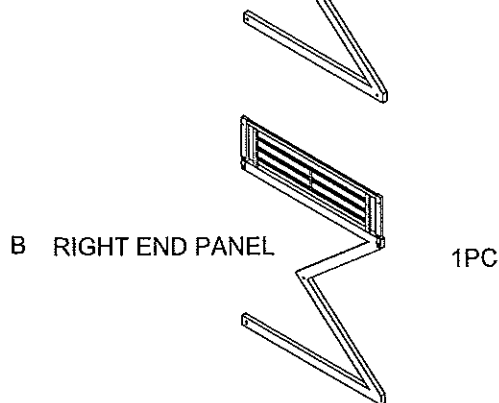
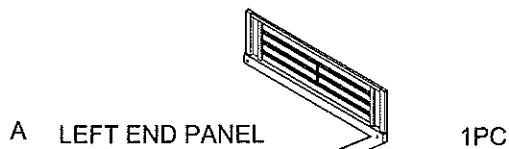
1. Remove hardware from box and sort by size.
2. Please check to see that all hardware and parts are present prior to start of assembly.
3. Please follow attached instructions in the same sequence as numbered to assure fast & easy assembly.





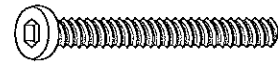


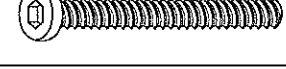



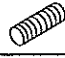
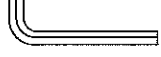



Warning !

1. Don't attempt to repair or modify parts that are broken or defective . Please contact the store immediately.
2. This product is for home use only and not intended for commercial establishment.

PARTS IDENTIFICATION



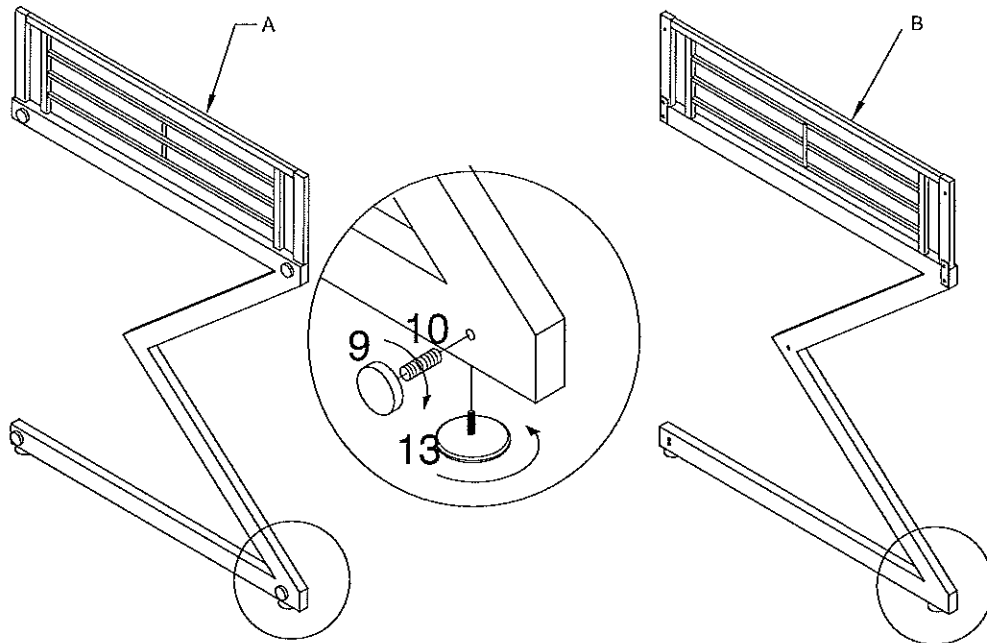
PARTS IDENTIFICATION

Z	HARDWARE PACKAGE		
NO	DESCRIPTION	FIGURE	Q'TY
1	BOLT 5/16"x1 1/2"		2pcs
2	BOLT 5/16"x5/8"		8pcs
3	BOLT 1/4"x3"		8pcs
4	BOLT 1/4"x1 1/2"		14pcs
5	BOLT 1/4"x5/8"		9pcs
6	BOLT 1/4"x2 1/4"		2pcs
7	WASHER Ø18mm		10pcs
8	WASHER Ø16mm		27pcs
9	ROUND DECORATION Ø50mm		8pcs
10	SCREW ROD 1/4"		8pcs
11	ALLEN KEY 4x4mm		1pc
12	ALLEN KEY 5x5mm		1pc
13	FEET Ø70x33mm		4pcs
14	INSERT CAP 9x14mm		4pcs

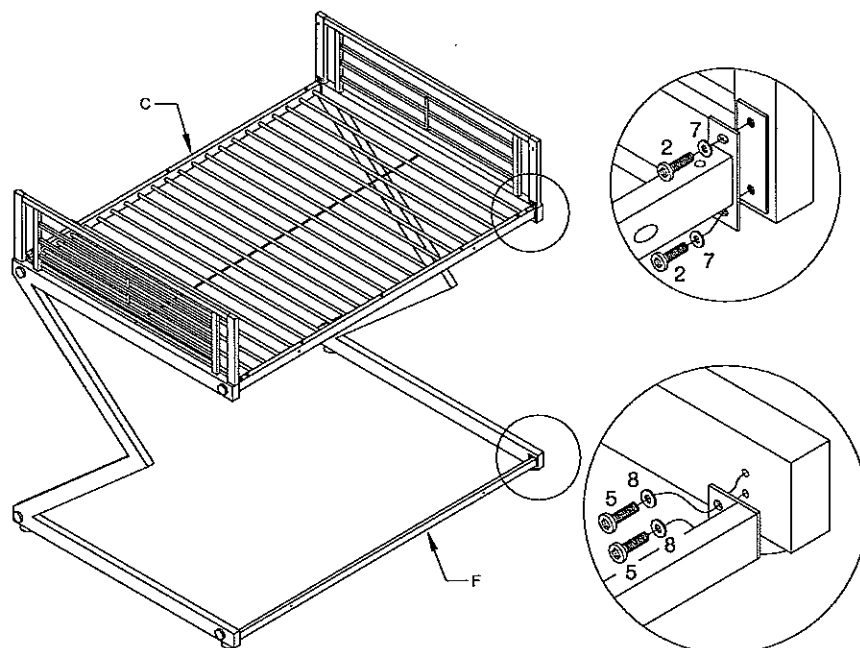
STEP 1: ATTACH THE ROUND DECORATIONS AND FEET TO THE LEFT AND RIGHT END PANELS

LEFT END PANEL

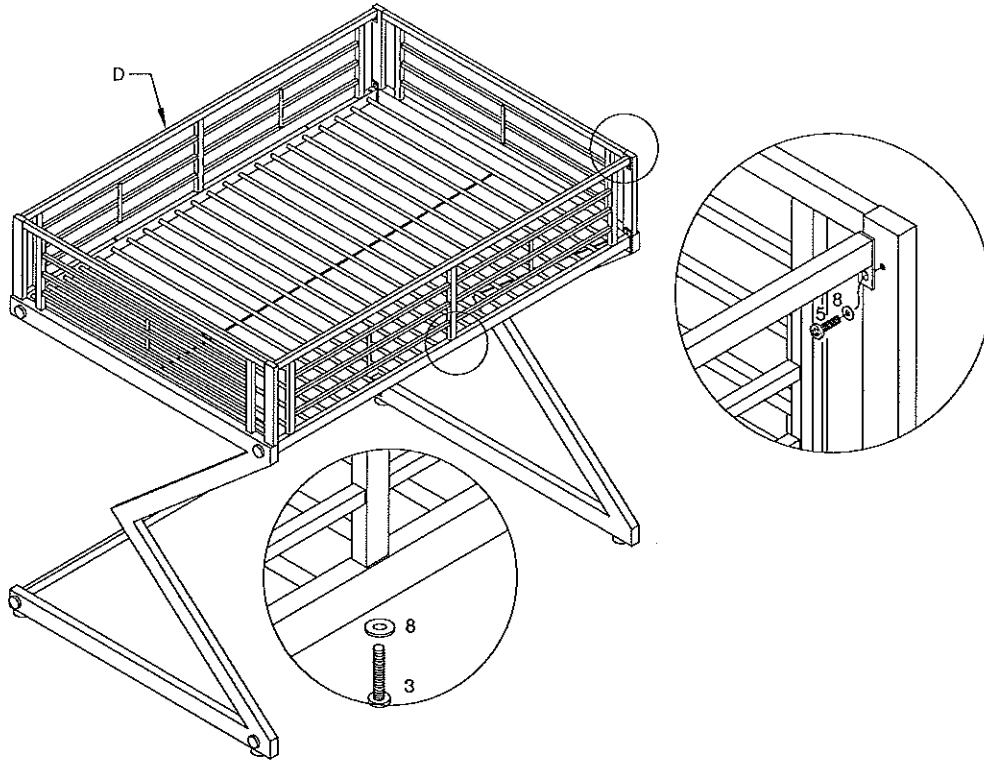
RIGHT END PANEL



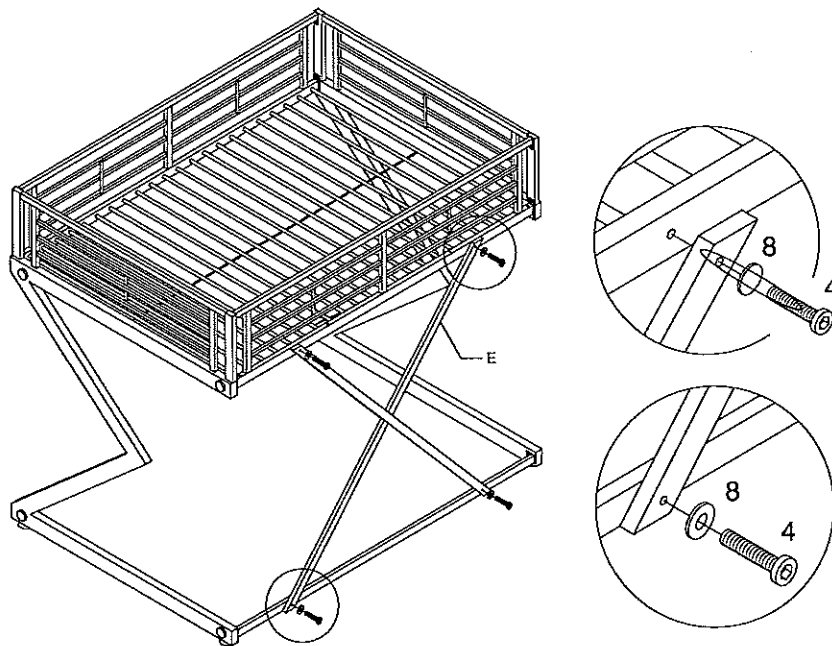
STEP 2: ATTACH THE MATTRESS FRAME TO THE END PANELS, AND ASSEMBLE THE REAR CROSSBAR.



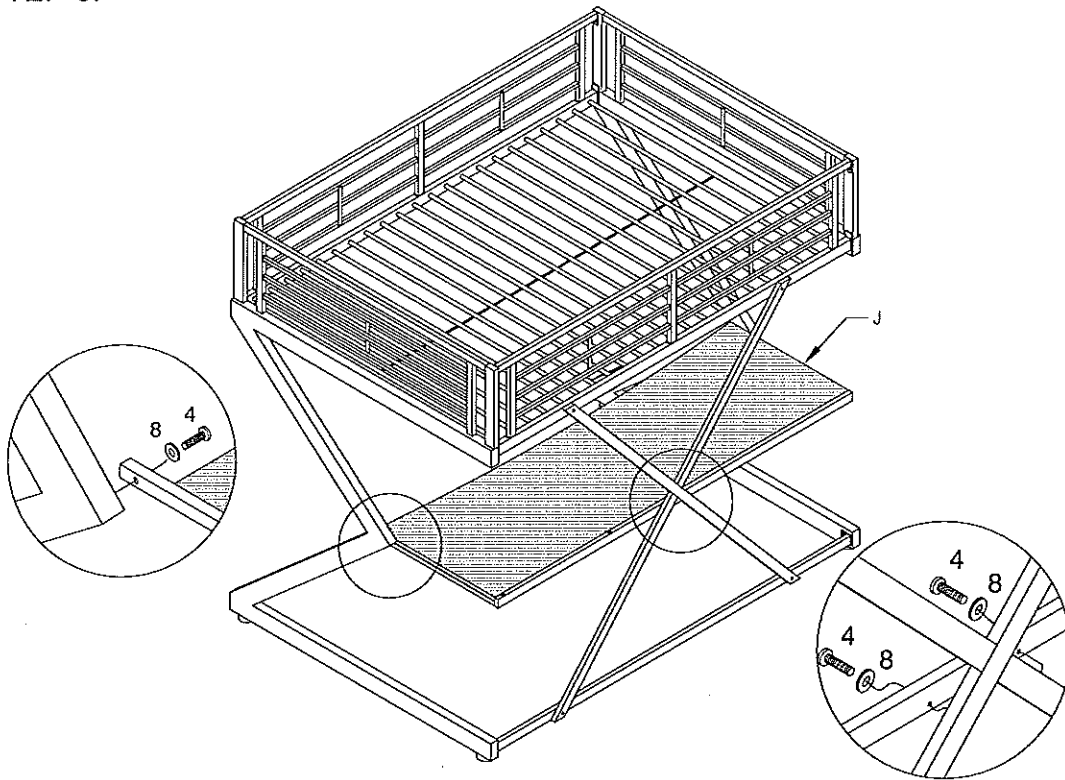
STEP 3: ATTACH THE FRONT AND BACK GUARDRAILS TO THE LEFT AND RIGHT END PANELS



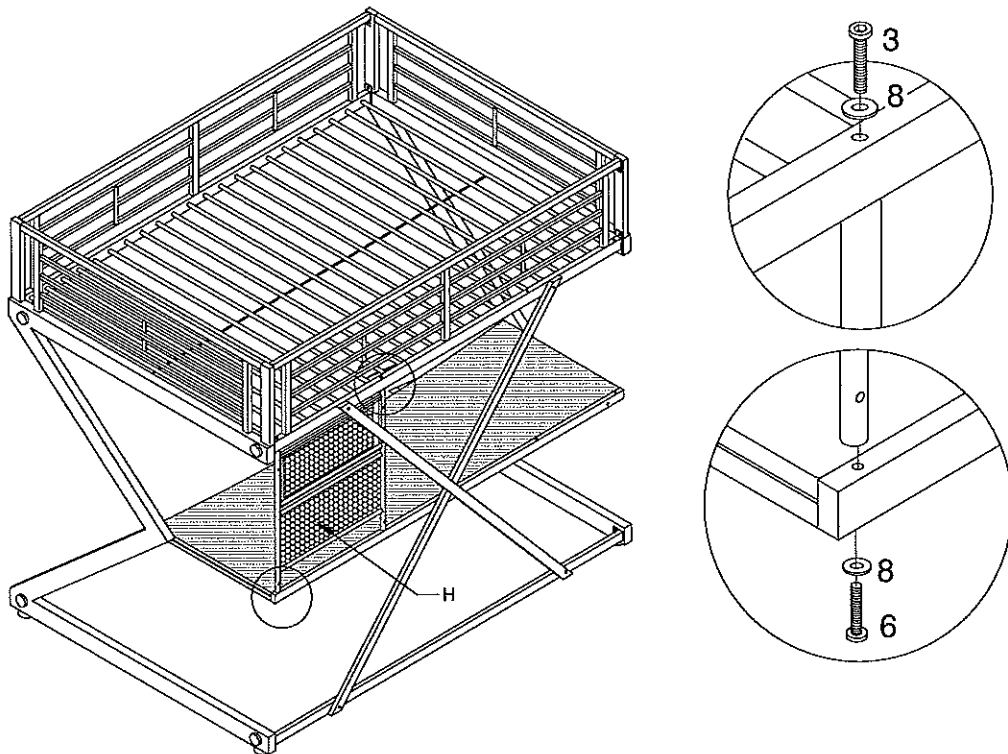
STEP 4: ASSEMBLE THE BACK CROSS BRACE



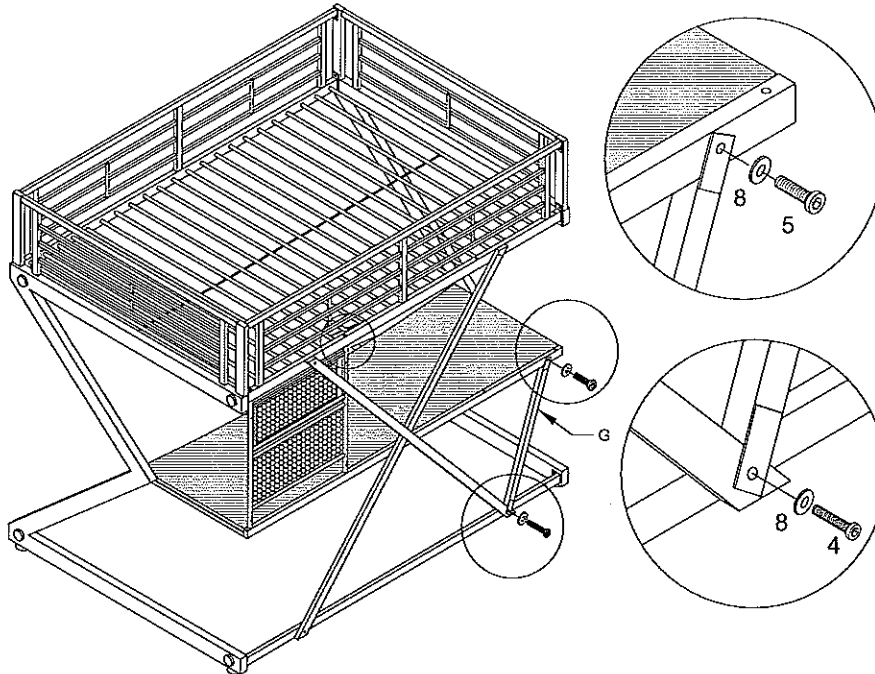
STEP 5: ATTACH THE DESK TOP



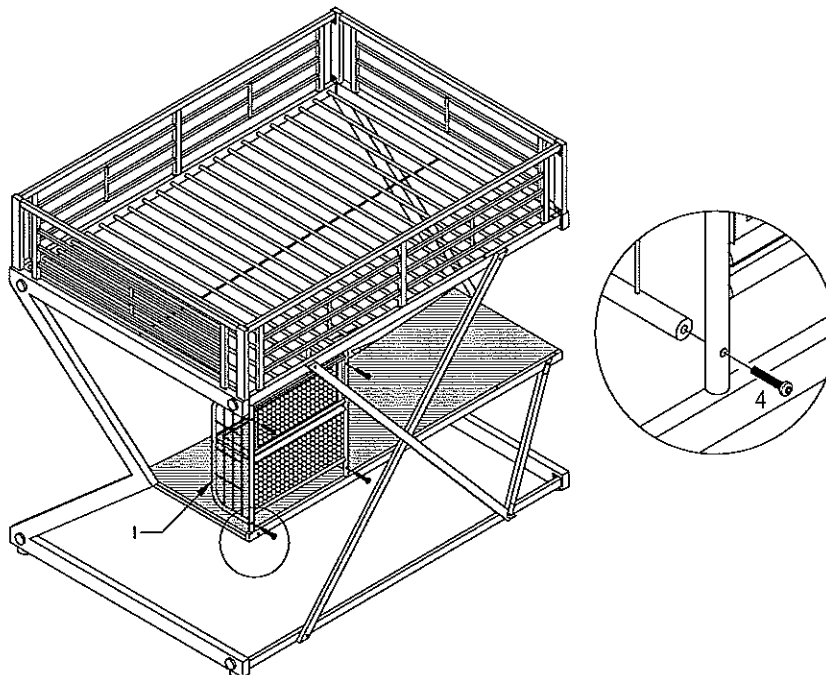
STEP 6: ATTACH THE BOOKSHELF RACK, IT CAN BE ASSEMBLED ON THE LEFT OR RIGHT SIDE



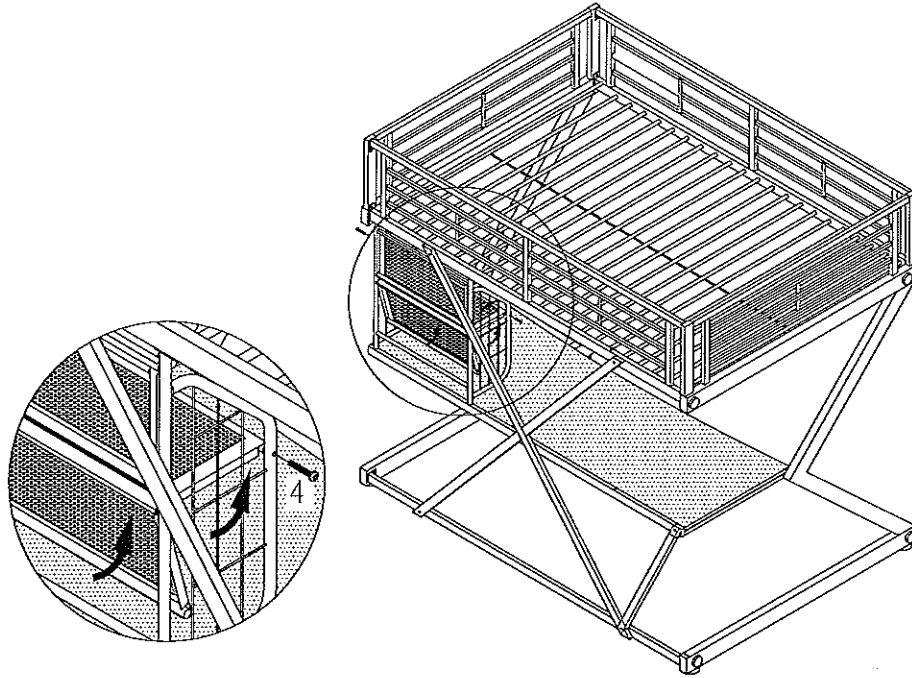
STEP 7: ASSEMBLE THE CONNECTION BAR, IT CAN BE ASSEMBLED ON THE LEFT OR RIGHT SIDE



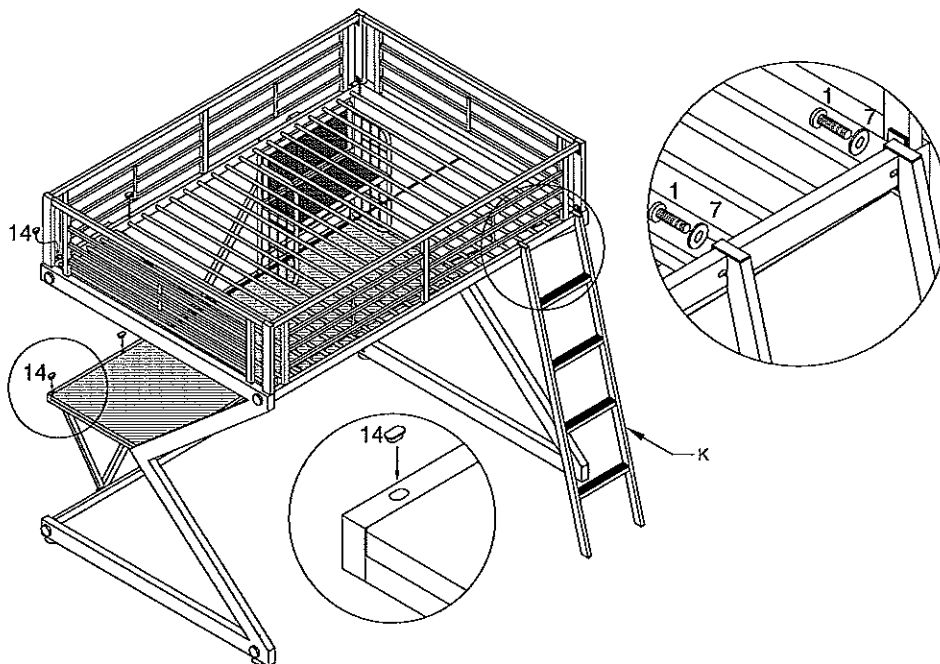
STEP 8: ATTACH THE SIDE FRAMES



STEP 9: LIFT UP THE LOWER PANEL OF THE BOOKSHELF RACK AS A BOOKSHELF, AND TIGHTEN BOLTS.



STEP 10: ATTACH THE LADDER ON THE RIGHT, THEN PUT ON THE INSERT CAPS FOR ADDITIONAL HOLES.





WARNING

TO HELP PREVENT SERIOUS OR FATAL INJURIES FROM ENTRAPMENT OR FALLS

- .Never allow a child under 6 years on upper bunk.
- .Use only mattress which is $53\frac{1}{2}$ "- $54\frac{1}{2}$ " in width and 74"-75" in length on upper bunk (FULL size).
- .Ensure thickness of mattress does not exceed 6" and mattress surface is at least 5 inches below upper edge of guardrails.
- .Use guardrails on both sides of upper bunk.
- .Prohibit horseplay on or under bed(s).
- .Prohibit more than one person on upper bunk.
- .Use ladder for entering and leaving upper bunk.
- .If the bunkbed will be placed next to a wall, the guardrail that runs the full length of the bed should be placed against the wall to prevent entrapment between the bed and the wall.

STRANGULATION HAZARD :

- .Never attach or hang items to any part of the bunk bed that are not designed for use with the bed for example, but not limited to hooks, belts, and jump ropes.

CERTIFIED - This bunk bed conforms to all applicable consumer product safety Standards - 16 CFR PARTS 1213, 1500, 1513 AND ASTM F-1427

CERTIFICATE

CERTIFIED - THIS BUNK BED CONFORMS TO ALL APPLICABLE

CONSUMER PRODUCT SAFETY STANDARDS:

16 CFR PARTS 1213, 1500, 1513 AND ASTM F - 1427

SAFETY WARNING

Coaster puts your child's safety as a Top Priority. Our bunk beds have been tested by an independent laboratory and are certified to be in compliance with ASTM F-1427, "Standard Consumer Safety Specification for Bunk Beds" and U.S. Government specifications 16 Code of Federal Regulations, Parts 1213 and 1513.

1. Follow the information on the warning attached to the upper bunk end structure and on the carton. Do not remove this label.
2. Always use the recommended size mattress or mattress support or both to help prevent the likelihood of entrapment or falls.
3. Surface of mattress must be at least five inches (127mm) below the upper edge of guardrails.
4. Do not allow children less than six years of age to use the upper bunk.
5. Prohibit more than one person on upper bunk.
6. Periodically check and ensure that the guardrail, ladder and other components are in their proper position, free from damage, and that all connectors are tight.
7. Do not allow horseplay on or under the bed and prohibit jumping on the bed.
8. Always use the ladder for entering and leaving the upper bunk.
9. Do not use substitute parts. Contact the manufacturer or dealer for replacement parts.
10. Use of a night light may provide added safety precaution for a child using upper bunk .
11. If the bunk bed will be placed next to a wall, the guardrail that runs the full length of the bed should be placed against the wall to prevent entrapment between the bed and the wall .(This applies only to bunk beds without two full-length guardrails.)
12. Always use guardrails or both long sides of the upper bunk.
13. The use of water or sleep flotation mattress is prohibited.
14. Keep these instructions for future reference.

STRANGULATION HAZARD :

15. Never attach or hang items to any part of the bunk bed that are not designed for use with the bed for example, but not limited to hooks, belts, and jump ropes.

SIZE OF MATTRESS AND FOUNDATION:

Use only mattress which is 53 1/2"-54 1/2" in width and 74"-75" in length. The total thickness of mattress combined must not exceed 6".

Note: There must be at least 5" from mattress sleeping surface to top edge of guardrail.

REPLACEMENT PARTS:

Replacement parts, including additional guardrails may be obtained from any Coaster Furniture Dealer .